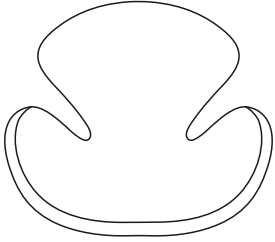

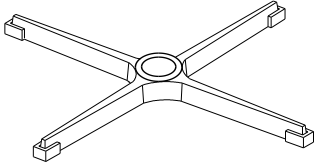


ITEM NAME /NOM D' ITEM:PORI ARM CHAIR

ITEM # /NO. ITEM:500310 (IRON GRAY)

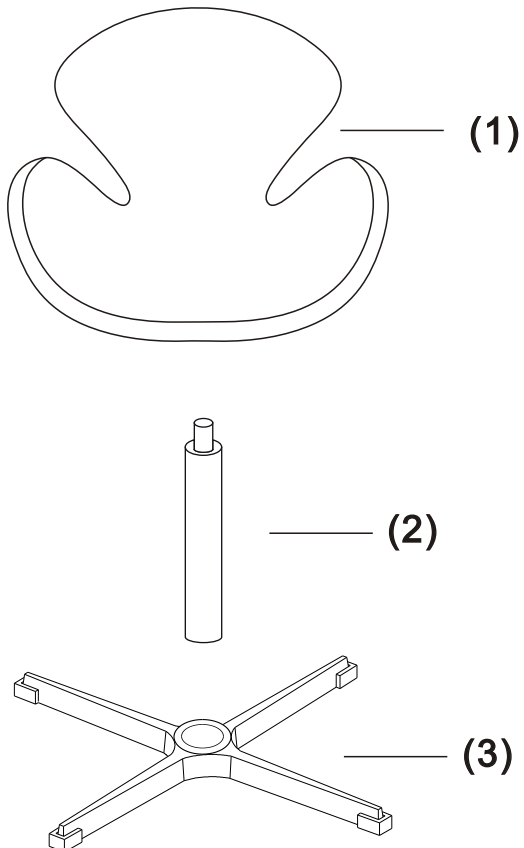
Enquiry:parts@zuomod.com

PART LIST/Liste des pièces

(1)	(2)	(3)
 <p data-bbox="501 934 544 969">X1</p>	 <p data-bbox="970 934 1013 969">X1</p>	 <p data-bbox="1485 934 1528 969">X1</p>

INSTRUCTION

A



B

