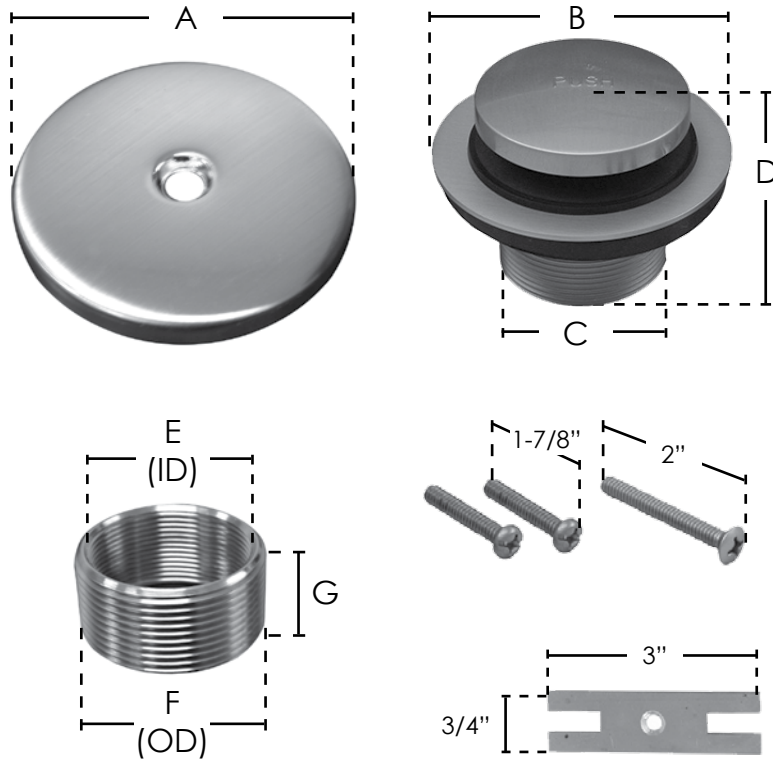


# SPECIFICATION SUBMITTAL SHEET

JONES STEPHENS CORPORATION

## TOE TOUCH CONVERSION KIT



### features and benefits:

- 1-hole faceplate
- 1-3/8" drain with bushing
- Includes drain, bushing, face plate, aluminum adapter bar and screws

This product and others like it can be found in the Jones Stephens catalog. Call today to order your catalog or download it from our website: [www.jonesstephens.com](http://www.jonesstephens.com)

PART NO.	FINISH	A	B	C	D	E	F	G
<input type="checkbox"/> B51010	Chrome Plated	3-1/8"	2-3/4"	1-1/2"	2"	1-5/8"	1-3/4"	3/4"
<input type="checkbox"/> B5161AP	Antique Pewter	3-1/8"	2-3/4"	1-1/2"	2"	1-5/8"	1-3/4"	3/4"
<input type="checkbox"/> B5161BB	Brushed Bronze	3-1/8"	2-3/4"	1-1/2"	2"	1-5/8"	1-3/4"	3/4"
<input type="checkbox"/> B5161BN	Brushed Nickel	3-1/8"	2-3/4"	1-1/2"	2"	1-5/8"	1-3/4"	3/4"
<input type="checkbox"/> B5161RB	Oil Rubbed Bronze	3-1/8"	2-3/4"	1-1/2"	2"	1-5/8"	1-3/4"	3/4"
<input type="checkbox"/> B5161WB	Old World Bronze	3-1/8"	2-3/4"	1-1/2"	2"	1-5/8"	1-3/4"	3/4"
<input type="checkbox"/> B5161PS	Polished Stainless	3-1/8"	2-3/4"	1-1/2"	2"	1-5/8"	1-3/4"	3/4"

Jones Stephens

3249 Moody Parkway • Moody, Alabama 35004

Toll Free Phone: 1-800-355-6637 • Toll Free Fax: 1-800-462-6991

[www.jonesstephens.com](http://www.jonesstephens.com)