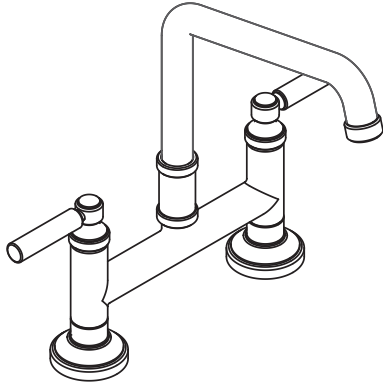
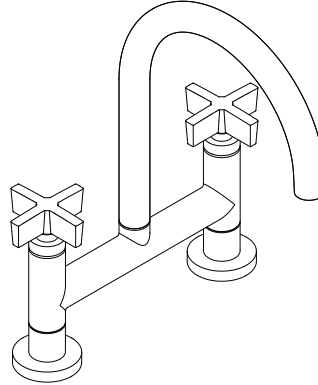


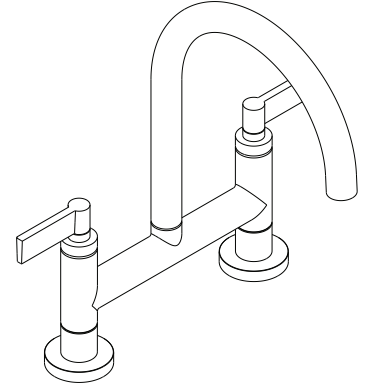
### INSTALLATION INSTRUCTIONS



**P25001-00**



**P25202-CR**



**P25202-LV**

## INSTALLATION INSTRUCTIONS

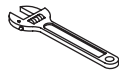
### THANK YOU FOR CHOOSING KALLISTA

We appreciate your commitment to KALLISTA quality products. Please take a moment to review this manual before you install your KALLISTA product. If you encounter any installation or performance problems, please do not hesitate to contact us at the phone number listed at the bottom of the page.

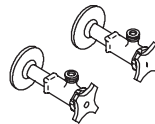
### BEFORE YOU BEGIN

- The appearance of your product may differ from the illustrations shown in these instructions, however, the installation procedure is the same.
- Observe all local plumbing and building codes.
- Shut off the water supplies.
- Before installation, unpack the new faucet and inspect it for damage. Return the faucet to the carton until you are ready to install it.
- Carefully inspect waste and supply tubing for any sign of damage and replace if necessary.
- For new installations, assemble the faucet to the sink before installing the sink.
- Do not use petroleum based products on this faucet.
- Kallista reserves the right to make revisions in the design of products without notice, as specified in the Price Book.

### TOOLS AND MATERIALS



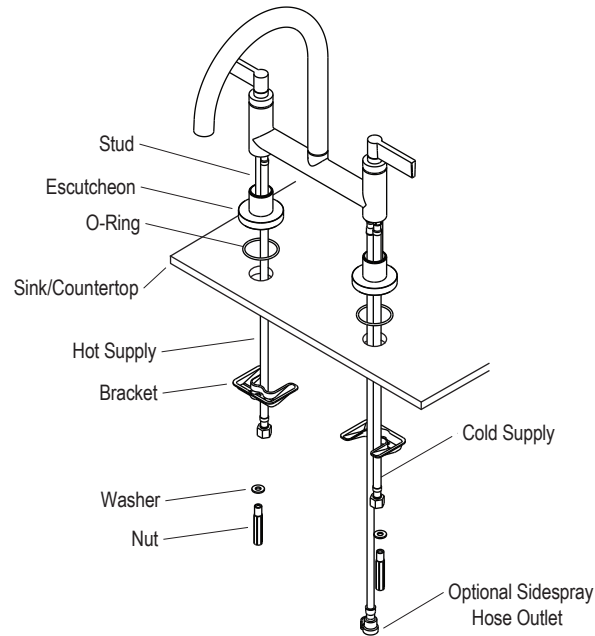
Adjustable  
Wrench



Two 3/8" Male  
Supply Connections

## INSTALLATION INSTRUCTIONS

## INSTALL THE FAUCET

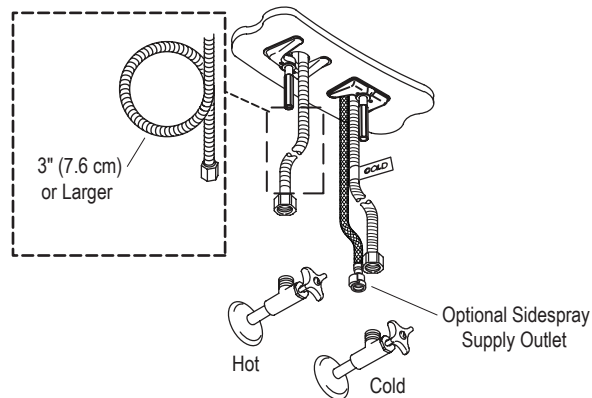


**IMPORTANT!** If you are mounting the faucet to an uneven surface (such as tile grout lines), apply a suitable sealant in addition to the O-rings and gasket provided. Do not use petroleum based sealant.

- Slide an escutcheon and O-ring over each of the hoses and onto the faucet.
- Insert the faucet through the mounting surface with the cold supply hose to the right side of the user.
- Assemble a bracket, washer, and nut to each stud from underneath the mounting surface.
- Securely tighten the nuts with an adjustable wrench.
- Ensure the handles are in the OFF position, as shown.

## INSTALLATION INSTRUCTIONS

## INSTALL THE SUPPLIES



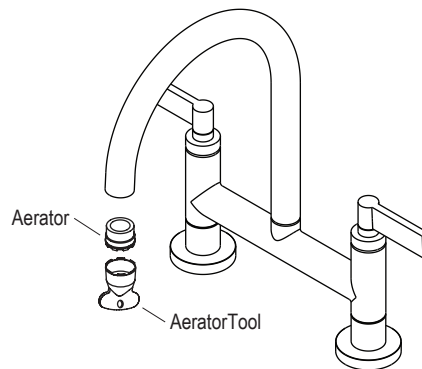
**CAUTION:** Risk of restricted water flow and product damage. Use extreme care to avoid kinking and twisting the supply hoses. The supply hoses must not be taut after installation.

**NOTE:** If the sink installation requires that you coil the supply hoses to obtain a good connection, maintain an inside coil diameter of at least 3" (7.6 cm).

**NOTE:** DO NOT remove the plug from the optional sidespray supply outlet unless you are installing the optional sidespray.

- Carefully position the hot and cold water supplies so they will not interfere with other hoses or items below the mounting surface.
- Connect and tighten the supply hoses to the supply stops. Left is hot, right is cold.

## INSTALLATION CHECKOUT



- Verify that all connections are tight and the handles are in the OFF position.
- Turn on the main water supply.
- Check all connections for leaks. Repair as needed.
- Turn both handles to the ON position and allow the water to run through the spout to remove any debris.
- Turn both handles to the OFF position.

**NOTE:** If water flow is restricted: Using the aerator tool (provided), turn the aerator clockwise to remove it from the spout, remove the debris, then reinstall the aerator. DO NOT overtighten. Retain the aerator tool for future use.