

# Installation and Care Guide

## Digital Interface

K-99693

**M** product numbers are for Mexico (i.e. K-12345**M**)  
Los números de productos seguidos de  
**M** corresponden a México (Ej.  
K-12345**M**)  
Français, page "Français-1"  
Español, página "Español-1"

THE BOLD LOOK  
OF **KOHLER**®

1194161-2-A

# IMPORTANT INSTRUCTIONS



**WARNING:** When using electrical products, basic precautions should always be followed, including the following:



**WARNING:** Risk of electric shock. Disconnect power before servicing.



**WARNING:** Risk of injury or property damage. Please read all instructions thoroughly before beginning installation.

**NOTICE:** Follow all plumbing, electrical, and building codes.

## Before Operating the System For the First Time:

Download and install the latest software. This may take an hour or more to complete based on system configuration and internet connection speed. **Do not disconnect the power from the controller during software download and installation.**

## FCC and IC Compliance

This device complies with Part 15 of the FCC Rules and Industry Canada license-exempt RSS standards(s). Operation is subject to the following two conditions:

1. This device may not cause harmful interference, and 2. This device must accept any interference received, including interference that may cause undesired operation.

**NOTE:** This equipment has been tested and found to comply with the limits for a Class B digital device, pursuant to Part 15 of the FCC Rules. These limits are designed to provide reasonable protection against harmful interference in a residential installation. This equipment generates, uses and can radiate radio frequency energy and, if not installed and used in accordance with the instructions, may cause harmful interference to radio communications. However, there is no guarantee that interference will not occur in a particular installation.

If this equipment does cause harmful interference to radio or television reception, which can be determined by turning the equipment off and on, the user is encouraged to try to correct the interference by one or more of the following measures:

- Reorient or relocate the receiving antenna.
- Increase the separation between the equipment and the receiver.

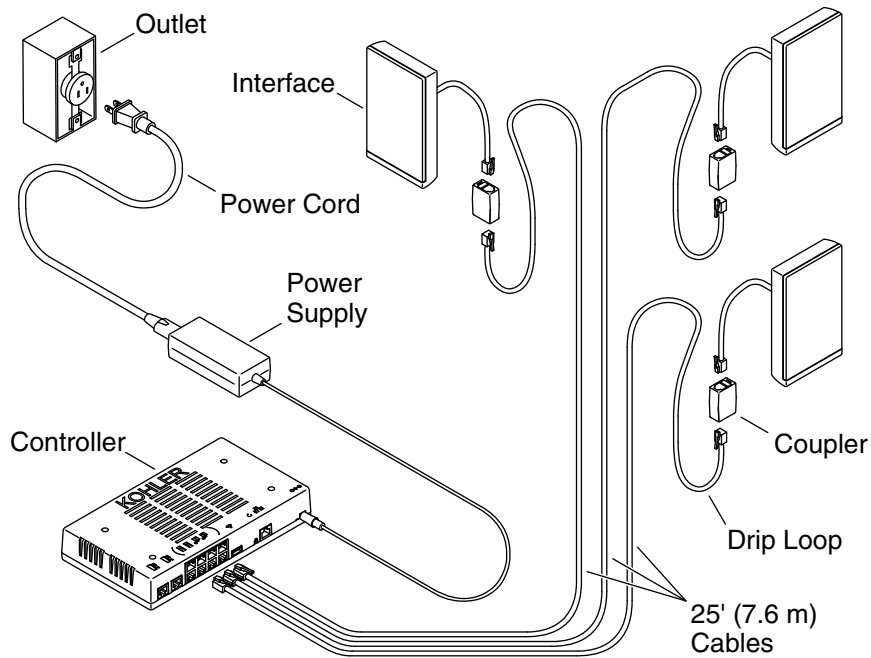
### FCC and IC Compliance (cont.)

- Connect the equipment into an outlet on a circuit different from that to which the receiver is connected.
- Consult the dealer or an experienced radio/television technician for help.

**Modifications:** Any modifications made to this device that are not approved by Kohler Co. may void the authority granted to the user by the FCC to operate this equipment.

### Specifications

Ambient Temperature	Max 125°F (51.5°C)
Maximum Relative Humidity	100% condensing (External surface only)
Interface Cable Length	25' (7.6 m)

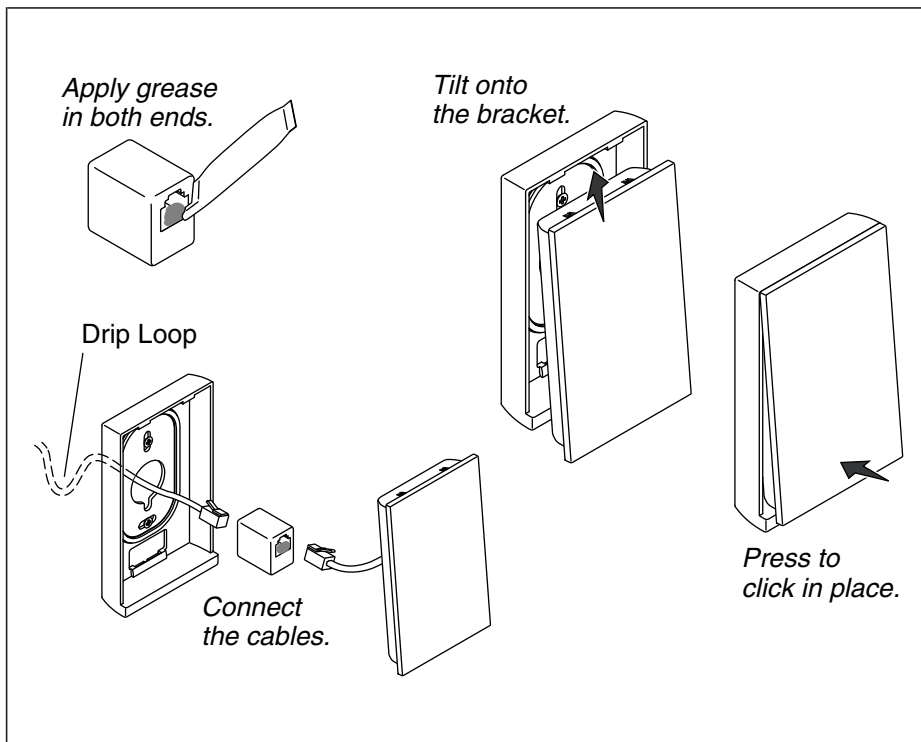


## 1. Preparation

**NOTE:** Your system can be set up to use three interfaces. One interface, installed inside the shower, is required.

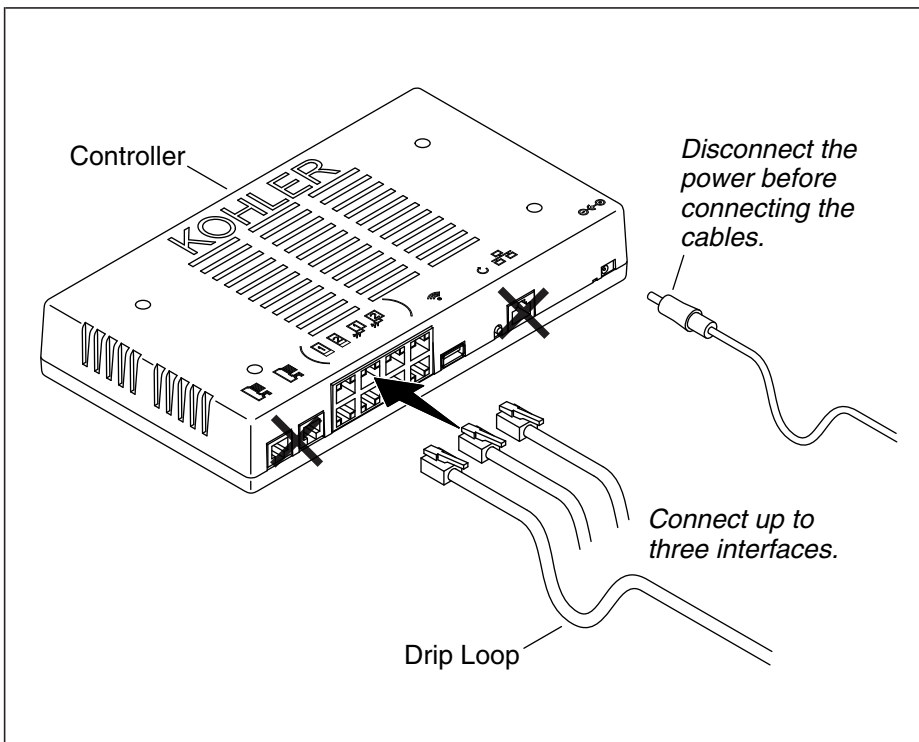
**NOTE:** A mounting bracket (not included) is required for interface installation.

- Determine the locations of all components before beginning installation.
- Allow enough slack in the cables for drip loops.
- Route the interface cable(s) to the interface installation location.
- Complete the finished wall.



## 2. Install the Interface

- Install the mounting bracket according to the instructions packed with the bracket.
- Apply grease (provided) into both ends of the coupler.
- Connect the cable from the wall and the interface into the coupler. Ensure the cables fully click into the coupler.
- Feed the cable and coupler into the hole in the wall. Ensure a drip loop is made.
- Tilt the top of the interface onto the mounting bracket, then press the bottom until it clicks in place.



### 3. Complete the Installation

**IMPORTANT!** Make drip loops in all cables.

**IMPORTANT!** Disconnect the power from the controller before connecting the cables.

- Connect the interface cable to the controller. Ensure the cable fully clicks into the socket.
- The interface is powered by the controller. The interface should illuminate when power is connected to the controller.
- If not already installed, install any components for your system configuration.

#### **Before Operating the System For the First Time:**

Download and install the latest software. This may take an hour or more to complete based on system configuration and internet connection speed. **Do not disconnect the power from the controller during software download and installation.**

### Complete the Installation (cont.)

- Refer to the "System Controller Installation and Care Guide" for download instructions.
- For information on system setup and using the interface, refer to the guide on the product page at [www.us.kohler.com](http://www.us.kohler.com).

## 4. Troubleshooting

**IMPORTANT!** Turn off the power before performing any maintenance.

**NOTE:** For service parts information, visit your product page at [www.kohler.com/serviceparts](http://www.kohler.com/serviceparts).

This troubleshooting guide is for general aid only. For service and installation issues or concerns, call 1-800-4KOHLER.

### Troubleshooting Table

Symptoms	Probable Cause	Recommended Action
1. Interface is not lit.	<p><b>A.</b> Controller is not plugged into the electrical outlet.</p> <p><b>B.</b> Interface cable connections may be loose or disconnected.</p> <p><b>C.</b> Circuit breaker has been tripped.</p> <p><b>D.</b> The controller may require resetting.</p> <p><b>E.</b> A "cross-over" cable or coupler was used to connect the interface to the controller.</p>	<p><b>A.</b> Plug the controller into an electrical outlet.</p> <p><b>B.</b> Check all interface cable connections.</p> <p><b>C.</b> Reset the circuit breaker.</p> <p><b>D.</b> Disconnect and reconnect the controller power supply from the electrical outlet.</p> <p><b>E.</b> Connect the interface to the controller using a "straight-through" cable or coupler.</p>

## Troubleshooting (cont.)

### Troubleshooting Table

Symptoms	Probable Cause	Recommended Action
	<b>F.</b> If none of the recommended actions for the above issues correct the symptom, the interface or controller requires servicing.	<b>F.</b> Contact your Kohler Co. Authorized Service Representative.
<b>2.</b> The interface power indicator is lit, but the system will not turn on.	<b>A.</b> Interface cable connections may be loose. <b>B.</b> The interface cable or coupler is damaged. <b>C.</b> If none of the recommended actions for the above issues correct the symptom, the interface or controller requires servicing.	<b>A.</b> Check all interface cable connections. <b>B.</b> Replace the cable or coupler. <b>C.</b> Contact your Kohler Co. Authorized Service Representative.

### Care and Cleaning

The interface can be locked for cleaning. This allows you to thoroughly clean the interface without activating your system.

- In the "settings" menu, select "interface," then "lock."
- Press the lock icon. The interface will lock for 30 seconds.

For best results, keep the following in mind when caring for your KOHLER product:

- Do not use abrasive cleaners that may scratch or dull the surface.

### Care and Cleaning (cont.)

- Always test your cleaning solution on an inconspicuous area before applying to the entire surface.
- Use a soft, dampened sponge or cloth. Never use an abrasive material such as a brush or scouring pad to clean surfaces.
- Do not allow cleaners to soak on surfaces. Wipe surfaces clean immediately after applying cleaner.

For detailed cleaning information and products to consider, visit [www.kohler.com/clean](http://www.kohler.com/clean). To order Care & Cleaning information, call 1-800-456-4537.

### Warranty

#### **KOHLER® Electronic Faucets, Valves and Controls FIVE-YEAR LIMITED WARRANTY**

Kohler Co. warrants that its electronic faucets, valves and controls will be free of defects in material and workmanship during normal residential use for five years from the date the product is installed. This warranty applies only to electronic faucets, valves and controls installed in the United States of America, Canada and Mexico ("North America").

If a defect is found in normal residential use, Kohler Co. will, at its election, repair, provide a replacement part or product, or make appropriate adjustment where Kohler Co.'s inspection discloses any such defect. Damage caused by accident, misuse, or abuse is not covered by this warranty. Improper care and cleaning will void the warranty\*. Proof of purchase (original sales receipt) must be provided to Kohler Co. with all warranty claims. Kohler Co. is not responsible for labor charges, installation, or other incidental or consequential costs other than those noted above. In no event shall the liability of Kohler Co. exceed the purchase price of the faucet, valve or control.

If the electronic faucets, valves or controls are used commercially or are installed outside of North America, Kohler Co. warrants that the faucet, valve or control will be free from defects in material and workmanship for one (1) year from the date the product is installed, with all other terms of this warranty applying except duration.

If you believe that you have a warranty claim, contact your Home Center, Dealer, Plumbing Contractor or E-tailer. Please be sure to provide all pertinent information regarding your claim, including a complete description of the problem, the product, model number, the date the product was purchased, from whom the product was purchased and the installation date. Also include your original invoice.