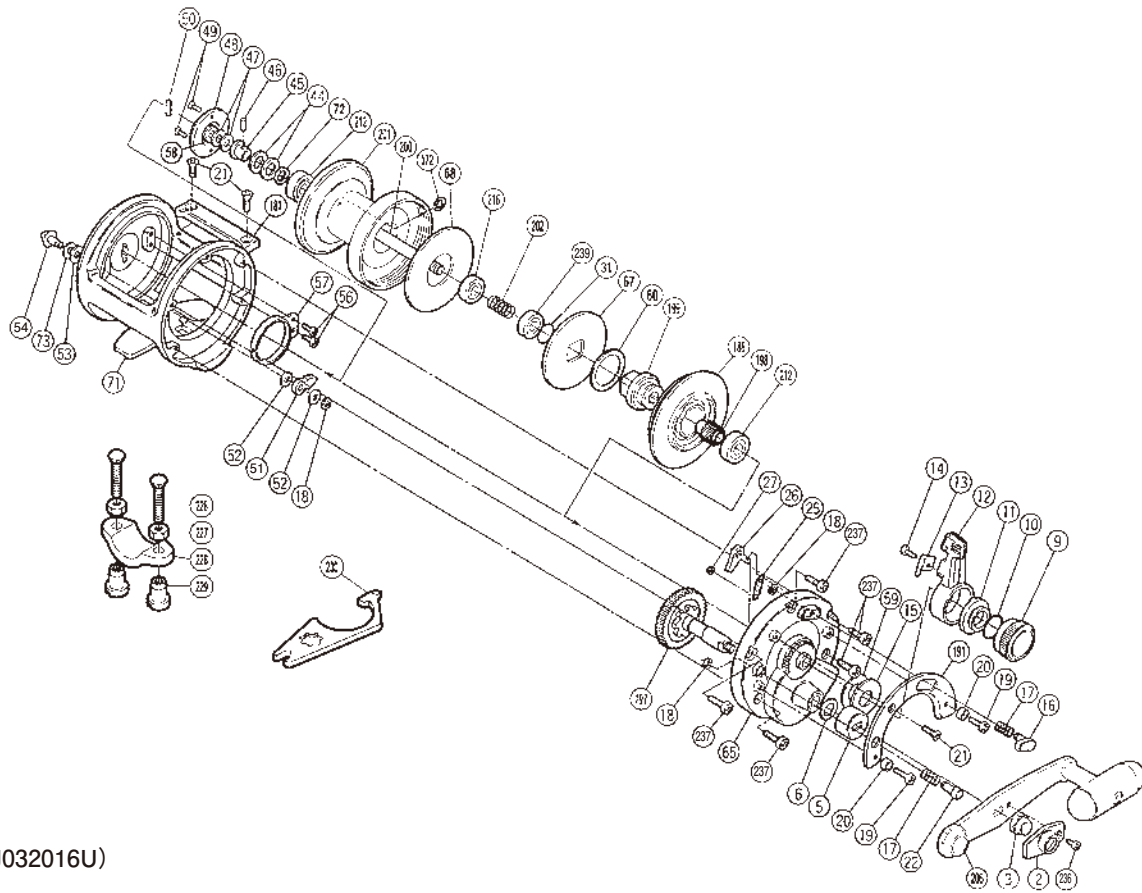


SHIMANO

TLD

TLD-15



(51RJ032016U)

#	Part No.	Description	#	Part No.	Description	#	Part No.	Description
2	10QFX	Handle Lock	44	1052B	Pre-Load Spring B	172	13JYP	C Lock
3	10FT2	Handle Nut	45	105X2	Pre-Load Body	181	10Q2K	Line Guard
5	10KZH	Gear Shaft Shield	46	105X7	Cross Pin A	186	106DJ	Cooling Shield
6	10D5G	Gear Shaft Thrust Washer	47	104L3	Spacer A	191	10TZS	Lever Quadrant
9	108BK	Pre-Program Dial	48	10673	Click Gear	197	10A2L	Main Gear
10	108WK	Body O Seal	49	10MGG	Click Gear Screw	198	10A48	Pinion Gear
11	10CBV	Lever Shaft Body	50	105X1	Cross Pin B	199	10ABV	Pinion Guard
12	108GZ	Drag Control Lever	51	10GQQ	Click Pawl	200	10EU9	Main Shaft
13	10TZ3	Lever Click Spring	52	104H3	Click Pawl Washer	201	10NG8	Spool
14	10QG5	Click Spring Screw	53	104H2	Click Button Washer A	202	10TZB	Pressure Release Spring
15	108DG	Lever Thrust Ring	54	104GH	Click Button	206	102S4	Handle
16	10BRM	Strike Stop	56	103GS	Click Spring Screw	212	10K62	Ball Bearing
17	10BNL	Pressure Spring	57	10GUW	Click Spring	236	13NXD	Handle Lock Screw
18	105NK	C Lock	58	104L4	Spacer B	237	10PQR	Screw
19	10M2Q	Quadrant Anchor Bolt	59	108GQ	Spacer	239	108PC	Ball Bearing
20	10CCG	Bolt Shield	60	1052A	Pre-Load Spring A			
21	10MLF	Quadrant Screw	65	10BJA	Side Plate	226	10A7A	Rod Clamp Bolt (Accessory)
22	10BNB	Free Spool Detent	67	106AY	Drag Plate	227	105N9	Rod Clamp Nut (B) (Accessory)
25	10CBR	Dog Spring	68	1060N	Titanium Drag Washer	228	10AR5	Rod Clamp (Accessory)
26	10PG1	Dog	71	103VV	One-Piece Body	229	1046P	Rod Clamp Nut (A) (Accessory)
27	109H9	Dog Spring Retainer	72	104X5	Pre-Load Washer A			
31	10EVQ	Seal Lock	73	10FTM	Click Button Washer B	230	10TUY	Wrench (Accessory)

Please note that the number of adjusting washers may not be the same as shown in the exploded views.
(Adjustment will vary with each individual product.)

(230830)_005