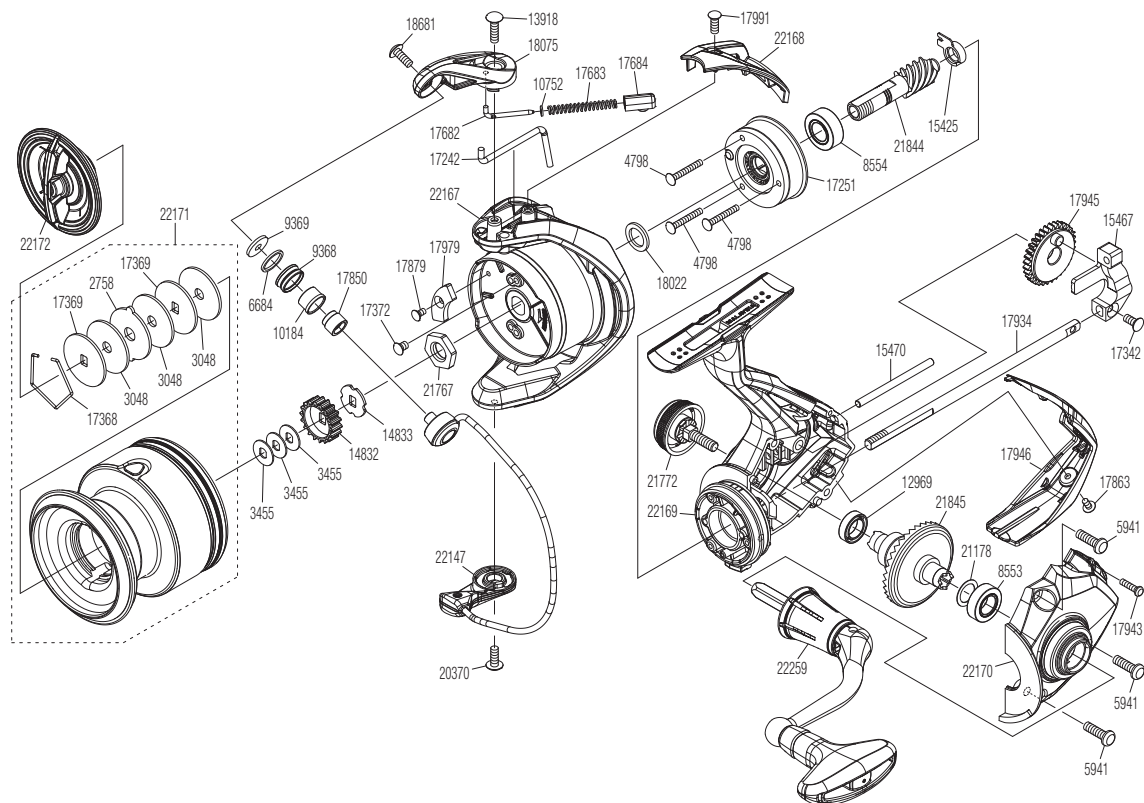


# SHIMANO

## CATANA

## CAT-4000HG



Please note that the number of adjusting washers may not always be the same as shown in the exploded views.

(51SH657H44X)

Please note that your actions take full responsibility when you take it apart.

#	Part No.	Description	#	Part No.	Description	#	Part No.	Description
2758	102XT	Eared Washer	17342	10ML7	Screw	21767	10RXE	Rotor Nut
3048	1031C	Drag Washer	17368	10M2M	Retainer	21772	101EZ	Handle Screw Cap Assembly
3455	10BXN	Spool Washer	17369	10N23	Key Washer	21844	10RUG	Pinion Gear
4798	103C6	Screw	17372	10LCE	Screw	21845	10RUF	Drive Gear
5941	10L9R	Screw	17682	1061L	Bail Spring Guide A	22147	100T1	Bail Assembly
6684	10KFD	Spacer	17683	105R6	Bail Spring	22167	10R4B	Rotor
8553	107AT	Ball Bearing	17684	107AB	Bail Spring Guide B	22168	10R4A	Bail Spring Cover
8554	107FE	Ball Bearing	17850	1020X	Collar	22169	10R4F	Body
9368	10JLF	Line Roller	17863	10LCS	Screw	22170	10R4G	Side Cover
9369	10PFP	Washer	17879	10LA3	Screw	22171	10R49	Spool Assembly
10184	10PFH	Bushing	17934	101SZ	Main Shaft	22172	101KT	Drag Knob Assembly
10752	10TYE	Bail Spring Guide A Collar	17943	10LPL	Screw	22259	100T5	Handle Assembly
12969	107FA	Ball Bearing	17945	101SX	Oscillating Gear			
13918	103LT	Screw	17946	101SM	Rear Protector			
14832	103MU	Spool Support A	17979	106GA	Counter Weight			
14833	10J04	Spool Support B	17991	10LFL	Screw			
15425	1074K	Bushing	18022	10JVH	Washer			
15467	10G7E	Oscillating Slider	18075	101ZF	Bail Arm			
15470	1035B	Oscillating Guide	18681	10PMH	Screw			
17242	106P4	Bail Trip Lever	20370	103DA	Screw			
17251	10QPN	Roller Clutch Assembly	21178	10EEZ	Washer			