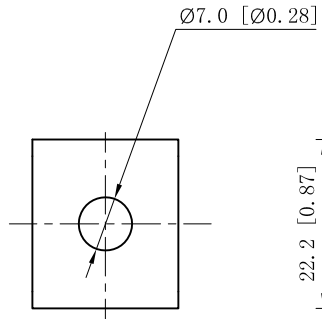
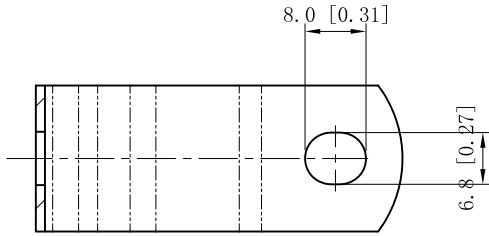
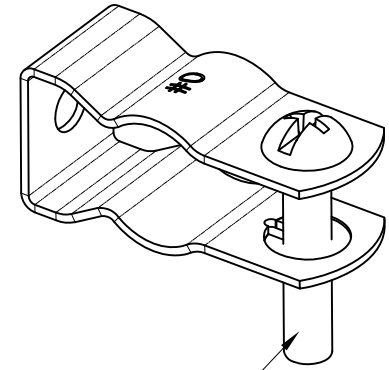
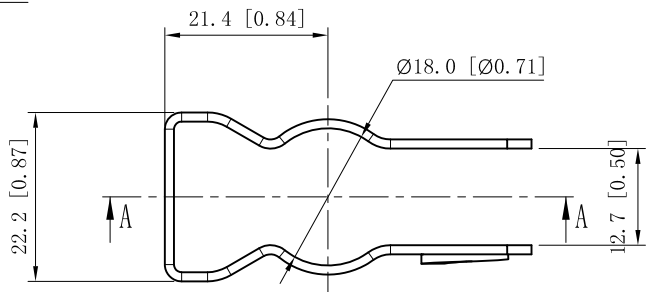


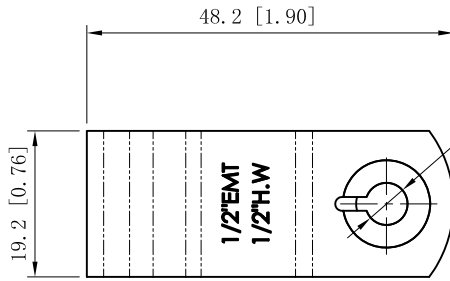
SIDES	BOTTOM
1 PCS #1/4-20×1 Screws Installed	
Material:Steel-0.047"-C.R.S Zinc Plated	



CUTAWAY VIEW A-A



#1/4-20 SCREW



Ø5.6 [Ø0.22] HOLE  
IT IS PUNCHING THREAD HOLE  
FOR FITTING #1/4-20 SCREW

This data sheet is for reference only .GARVIN INDUSTRIES reserves the right to make changes to the design without prior notice.

DESCRIPTION
TRADE REFERENCE TERMS

STANDARD PACKING
50 PCS

<b>GARVIN INDUSTRIES</b>	
TITLE <b>CONDUIT HANGERS</b>	
SIZE A4	DWG NO. CHQT-50
DATA SHEET	
REV	