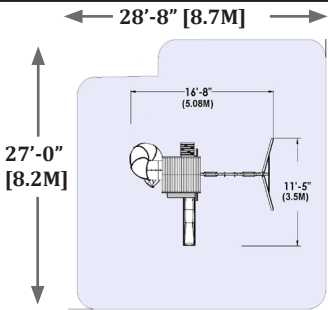


CASTLEWOOD - F25890

INSTALLATION AND OPERATING INSTRUCTIONS



Obstacle Free Safety Zone
28' 8" [8.7M] x 27' [8.2M]

! WARNING

To reduce the risk of serious injury or death, you must read and follow these instructions. Keep and refer to these instructions often and give them to any future owner of this play system. Manufacturer contact information provided below.

OBSTACLE FREE SAFETY ZONE - 28''8" (8.7m) x 27' (8.2m) area requires Protective Surfacing. See Owner's Manual.

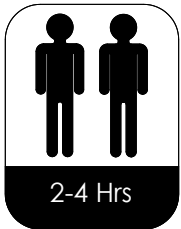
MAXIMUM VERTICAL FALL HEIGHT - 6'9" (2.06m)

CAPACITY - 10 Users Maximum, Ages 3 to 10; Weight Limit 110 lbs. (49.9 kg) per child.

RESIDENTIAL HOME USE ONLY. Not intended for public areas such as schools, churches, nurseries, day cares or parks.

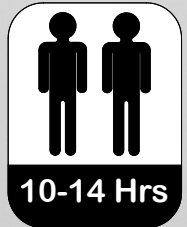
Warning. Only for domestic use.

TUBE SLIDE



Two person assembly

FORT



TWO PERSON ASSEMBLY



KidKraft, Inc.
4630 Olin Road
Dallas, Texas 75244 USA
customerservice@kidkraft.com
canadacustomerservice@kidkraft.com
1.800.933.0771
972.385.0100
For online parts replacement visit
<https://parts.kidkraft.com/>

KidKraft Netherlands BV
Olympisch Stadion 8
1076 DE Amsterdam
The Netherlands
europecustomerservice@kidkraft.com
+31 20 305 8620 M-F from 09:00 to 17:30
(GMT+1)
For online parts replacement visit
<https://parts.kidkraft.eu/>

Table of Contents

Warnings and Safe Play Instructions..... pg. 2
Protective Surfacing Guidelines..... pg. 3
Instructions for Proper Maintenance..... pg. 4
About Our Wood - Limited Warranty..... pg. 5
Keys to Assembly Success pg. 7
Metric Conversion Sheets pg. 8
Part IDpg. 10
Installation of I.D./Warning Plaque.....pg. 89
Fort Guidespg. 90

Warnings and Safe Play Instructions



CONTINUOUS ADULT SUPERVISION REQUIRED. Most serious injuries and deaths on playground equipment have occurred while children were unsupervised! Our products are designed to meet mandatory and voluntary safety standards. Complying with all warnings and recommendations in these instructions will reduce the risk of serious or fatal injury to children using this play system. Go over the warnings and safe play instructions regularly with your children and make certain that they understand and follow them. Remember on-site adult supervision is required for children of all ages.



WARNING

SERIOUS HEAD INJURY HAZARD

Installation over concrete, asphalt, dirt, grass, carpet and other hard surface creates a risk of serious injury or death from falls to the ground. Install and maintain shock absorbing material under and around play-set as recommended on page 3 of these instructions.

COLLISION HAZARD

Place play-set on level ground at least 2m from any obstruction such as a garage or house, fences, poles, trees, sidewalks, walls, landscape timbers, rocks, pavement, planters, garden borders, overhanging branches, laundry lines, and electrical wires. (See OBSTACLE FREE SAFETY ZONE on cover)

CHOKING HAZARD/SHARP EDGES & POINTS

Adult assembly required. This product contains small parts and parts with sharp edges and points. Keep parts away from children until fully assembled.

WARNING LABEL

Owners shall be responsible for maintaining the legibility of the warning labels.

STRANGULATION HAZARD

- NEVER allow children to play with ropes, clotheslines, pet leashes, cables, chains or cord-like items when using this play-set or to attach these items to play-set.
- NEVER allow children to wear loose fitting clothing, ponchos, hoods, scarves, capes, necklaces, items with draw-strings, cords or ties when using this play-set.
- NEVER allow children to wear bike or sport helmets when using this play-set.

Failure to prohibit these items, even helmets with chin straps, increases the risk of serious injury and death to children from entanglement and strangulation.

TIP OVER HAZARD

Choose a level location for the equipment. This can reduce the likelihood of the play set tipping over and loose-fill surfacing materials washing away during heavy rains.

DO NOT allow children to play on the play-set until the assembly is complete and the unit is properly anchored.

Never add extra length to chain or rope. The chains or ropes provided are the maximum length designed for the swinging element(s).



WARNING – Safe Play Instructions

- ✓ Observe capacity limitations of your play-set. See front cover.
- ✓ Dress children with well fitting and full foot enclosing footwear.
- ✓ Teach children to sit with their full weight in the center of the swing seat to prevent erratic swing motion or falling off.
- ✓ Check for splintered, broken or cracked wood; missing, loose, or sharp edged hardware. Replace, tighten and or sand smooth as required prior to playing.
- ✓ Verify that suspended climbing ropes, rope ladders, chain or cable are secured at both ends and cannot be looped back on itself as to create an entanglement hazard.
- ✓ On sunny and or hot days, check the slide and other plastic rides to assure that they are not very hot as to cause burns. Cool hot slide and rides with water and wipe dry prior to using.
- ✓ Orientate slide such that it gets the least amount of exposure to the sun.
- ✗ Do not allow children to wear open toe or heel footwear like sandals, flip-flops or clogs.
- ✗ Do not allow children to walk, in front, between, behind or close to moving rides.
- ✗ Do not let children twist swing chains or ropes or loop them over the top support bar. This may reduce the strength of the chain or rope and cause premature failure.
- ✗ Do not let children get off rides while they are in motion.
- ✗ Do not permit climbing on equipment when it is wet.
- ✗ Do not permit rough play or use of equipment in a manner for which it was not intended. Standing on or jumping from the roof, elevated platforms, swings, climbers, ladders or slide can be dangerous.
- ✗ Do not allow children to swing empty rides or seats.
- ✗ Do not allow children to go down slide head first or run up slide.

Protective Surfacing - Reducing Risk of Serious Head Injury From Falls

One of the most important things you can do to reduce the likelihood of serious head injuries is to install shock-absorbing protective surfacing under and around your play equipment. The protective surfacing should be applied to a depth that is suitable for the equipment height in accordance with ASTM F1292. There are different types of surfacing to choose from; whichever product you select, follow these guidelines:

Loose-Fill Materials

- Maintain a minimum depth of 9 inches (23 cm) of loose-fill materials such as wood mulch/chips, engineered wood fiber (EWF), or shredded/recycled rubber mulch for equipment up to 8 feet (2,45 m) high; and 9 inches (23 cm) of sand or pea gravel for equipment up to 5 feet (1,5 m) high. NOTE: An initial fill level of 12 inches (31 cm) will compress to about a 9-inch (23 cm) depth of surfacing over time. The surfacing will also compact, displace, and settle, and should be periodically raked and refilled to maintain at least a 9-inch (23 cm) depth.
- Use a minimum of 6 inches (16 cm) of protective surfacing for play equipment less than 4 feet (1,22 m) in height. If maintained properly, this should be adequate. (At depths less than 6 inches (16 cm), the protective material is too easily displaced or compacted.)

NOTE: Do not install home playground equipment over concrete, asphalt, or any other hard surface. A fall onto a hard surface can result in serious injury to the equipment user. Grass and dirt are not considered protective surfacing because wear and environmental factors can reduce their shock absorbing effectiveness. Carpeting and thin mats are not adequate protective surfacing. Ground level equipment -- such as a sandbox, activity wall, playhouse or other equipment that has no elevated play surface -- does not need any protective surfacing.

- Use containment, such as digging out around the perimeter and/or lining the perimeter with landscape edging. Don't forget to account for water drainage.
- Periodically rake, check and maintain the depth of the loose-fill surfacing material. Marking the correct depth on the play equipment support posts will help you to see when the material has settled and needs to be raked and or replenished. Be sure to rake and evenly redistribute the surfacing in heavily used areas.
- Do not install loose fill surfacing over hard surfaces such as concrete or asphalt.

Poured-In-Place Surfaces or Pre-Manufactured Rubber Tiles

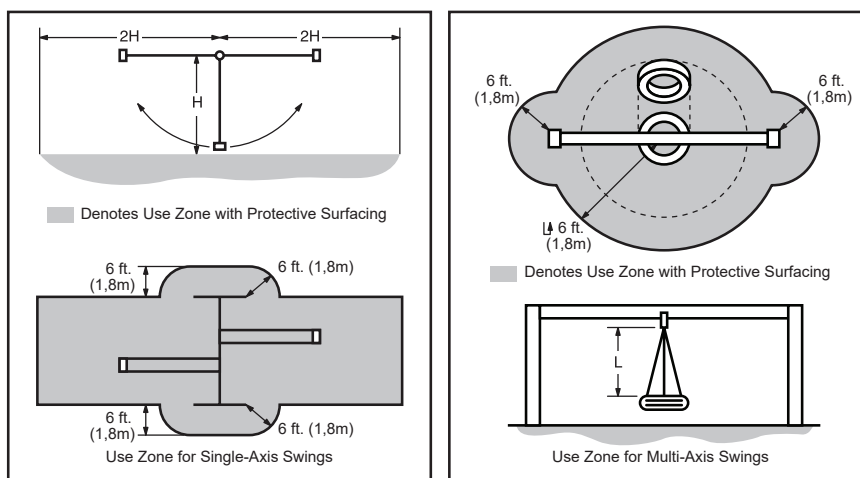
You may be interested in using surfacing other than loose-fill materials - like rubber tiles or poured-in-place surfaces.

- Installations of these surfaces generally require a professional and are not “do-it yourself” projects.
- Review surface specifications before purchasing this type of surfacing. Ask the installer/manufacturer for a report showing that the product has been tested to the following safety standard: ASTM F1292 *Standard Specification for Impact Attenuation of Surfacing Materials within the Use Zone of Playground Equipment*. This report should show the specific height for which the surface is intended to protect against serious head injury. This height should be equal to or greater than the fall height - vertical distance between a designated play surface (*elevated surface for standing, sitting, or climbing*) and the protective surfacing below - of your play equipment.
- Check the protective surfacing frequently for wear.

Placement

Proper placement and maintenance of protective surfacing is essential. Refer to diagram on front cover. Be sure to;

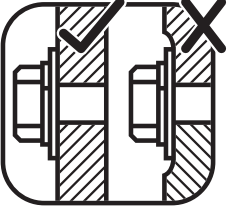
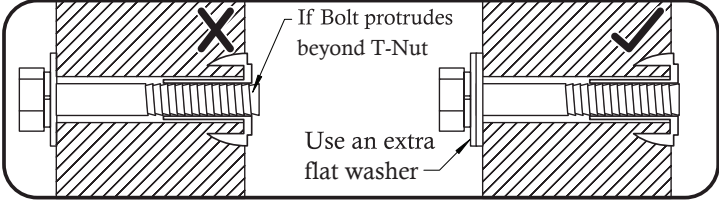
- Extend surfacing at least 6 feet (1,8 m) from the equipment in all directions.
- For to-fro swings, extend protective surfacing in front of and behind the swing to a distance equal to twice the height of the top bar from which the swing is suspended.
- For tire swings, extend surfacing in a circle whose radius is equal to the height of the suspending chain or rope, plus 6 feet (1,8 m) in all directions.



Instructions for Proper Maintenance

Your KidKraft Play System is designed and constructed of quality materials with your child's safety in mind. As with all outdoor products used by children, it will weather and wear. To maximize the enjoyment, safety and life of your Play Set, it is important that you, the owner, properly maintain it.

Check the following at the beginning of the play season:

<p>HARDWARE:</p> <ul style="list-style-type: none"> ✓ Check metal parts for rust. If found, sand and repaint using a non-lead paint complying with 16 CFR 1303. ✓ Inspect and tighten all hardware. On wood assemblies DO NOT OVERTIGHTEN as to cause crushing and splintering of wood. ✓ Check for sharp edges or protruding screw threads, add washers if required.   <p>If Bolt protrudes beyond T-Nut</p> <p>Use an extra flat washer</p> <p>SHOCK ABSORBING SURFACING:</p> <ul style="list-style-type: none"> ✓ Check for foreign objects. Rake and check depth of loose fill protective surfacing materials to prevent compaction and maintain appropriate depth. Replace as necessary. (See Protective Surfacing, page 3) 	<p>GROUND STAKES (ANCHORS):</p> <ul style="list-style-type: none"> ✓ Check for looseness, damage or deterioration. Should firmly anchor unit to ground during use. Re-secure and or replace, if necessary. <p>SWING HANGERS:</p> <ul style="list-style-type: none"> ✓ Check that bolts are secure and tight. Quick clips should be completely closed and threaded clips screwed tight. ✓ If squeaking occurs lubricate bushings with oil or WD-40®. <p>SWINGS, ROPES AND RIDES:</p> <ul style="list-style-type: none"> ✓ Reinstall if removed during cold season. Check all moving parts including swing seats, ropes, chains and attachments for wear, rust and other deterioration. Replace as needed. ✓ Check that ropes are tight, secure at both ends and cannot loop back as to create an entrapment. <p>WOOD PARTS:</p> <ul style="list-style-type: none"> ✓ Check all wood members for deterioration, structural damage and splintering. Sand down splinters and replace deteriorated wood members. As with all wood, some checking and small cracks in grain is normal. ✓ Applying a water repellent or stain (water-based) on a yearly basis is important maintenance to maintain maximum life and performance of the product.
--	---

Check twice a month during play season:

<p>HARDWARE:</p> <ul style="list-style-type: none"> ✓ Inspect for tightness. Must be firmly against, but not crushing the wood. DO NOT OVERTIGHTEN. This will cause splintering of wood. ✓ Check for sharp edges or protruding screw threads. Add washers if required. 	<p>SHOCK ABSORBING SURFACING:</p> <ul style="list-style-type: none"> ✓ Rake and check depth of loose fill protective surfacing materials to prevent compaction and maintain appropriate depth. Replace as necessary. (See Protective Surfacing, page 3)
--	---

Check once a month during play season:

<p>SWING HANGERS:</p> <ul style="list-style-type: none"> ✓ Check that they are secure and orientated correctly. Hook should rotate freely and perpendicular to support beam. ✓ If squeaking occurs lubricate bushings with oil or WD-40®. 	<p>SWINGS AND RIDES:</p> <ul style="list-style-type: none"> ✓ Check swing seats, all ropes, chains and attachments for fraying, wear, excessive corrosion or damage. Replace if structurally damaged or deteriorated.
--	---

Check at the end of the play season:

<p>SWINGS AND RIDES:</p> <ul style="list-style-type: none"> ✓ To prolong their life, remove swings and store inside when outside temperature is below 32°F/0°C. Below freezing, plastic parts may become more brittle. 	<p>SHOCK ABSORBING SURFACING:</p> <ul style="list-style-type: none"> ✓ Rake and check depth of loose fill protective surfacing materials to prevent compaction and maintain appropriate depth. Replace as necessary. (See Protective Surfacing, page 3)
--	---

If you dispose of your play set: Please disassemble and dispose of your unit so that it does not create any unreasonable hazards at the time it is discarded. Be sure to follow your local waste ordinances.

About Our Wood

KidKraft Premium Play Systems uses only premium playset lumber, ensuring the safest product for your children's use. Although we take great care in selecting the best quality lumber available, wood is still a product of nature and susceptible to weathering which can change the appearance of your set.

What causes weathering? Does it affect the strength of my Play System?

One of the main reasons for weathering is the effects of water (moisture); the moisture content of the wood at the surface is different than the interior of the wood. As the climate changes, moisture moves in or out of the wood, causing tension which can result in checking and or warping. You can expect the following due to weathering. These changes will not affect the strength of the product:

1. **Checking** is surface cracks in the wood along the grain. A post (4" x 4") will experience more checking than a board (1" x 4") because the surface and interior moisture content will vary more widely than in thinner wood.
2. **Warping** results from any distortion (twisting, cupping) from the original plane of the board and often happens from rapid wetting and drying of the wood.
3. **Fading** happens as a natural change in the wood color as it is exposed to sun-light and will turn a grey over time.

How can I reduce the amount of weathering to my Play System?

At the factory we have coated the wood with a water repellent or stain. This coating decreases the amount of water absorption during rain or snow thus decreasing the tension in the wood. Sunlight will break down the coating, so we recommend applying a water repellent or stain on a yearly basis (see your local stain and paint supplier for a recommended product).

Most weathering is just the normal result of nature and will not affect safe play and enjoyment for your child. However if you are concerned that a part has experienced a severe weathering problem please call our consumer relations department for further assistance.

Complete and mail registration card to receive important product notifications and assure prompt warranty service.

KidKraft Limited Warranty

MISSING OR DAMAGED PARTS:

KidKraft will replace any parts within 90 days from date of purchase found to be missing from or damaged in the original packaging. See Fig.1

Fig. 1	<u>Product Age (All Parts)</u> 0-90 Days from date of purchase	<u>Consumer Pays</u> \$0 for Part + Free Shipping
--------	---	--

DEFECTS IN MATERIAL AND WORKMANSHIP:

KidKraft warrants that this product is free from defects in materials and workmanship for a period of one (1) year from the original date of purchase (dated sales receipt and/or product registration is required). This one (1) year warranty covers all parts including wood, hardware, and all accessories (Such as swings, rides, and slides). See Fig. 2

Fig. 2	<u>Product Age (All Parts)</u> 91 Days to 1 Year	<u>Consumer Pays</u> \$0 for Part + Free Shipping
--------	---	--

WOOD ROT, DECAY, AND INSECT DAMAGE:

All wood carries a five (5) year warranty against rot, decay, and insect damage (dated sales receipt and/or product registration is required). Refer to the schedule below for charges associated with replacement of wood parts under this **Limited Warranty**. See Fig. 3

Fig. 3	<u>Product Age (Wood Parts)</u> 0 Days to 1 Year After 1 Year to 5 Year Over 5 Years	<u>Consumer Pays</u> \$0 for Part + Free Shipping \$0 for Part + Shipping & Handling 100% for Part (if available) + Shipping & Handling
--------	---	--

This warranty applies to the original owner and registrant and is non-transferable. Regular maintenance is required to ensure the integrity of this product. Failure by the owner to maintain the product according to the maintenance requirements may void this warranty.

This Limited Warranty does NOT cover:

- Any inspection cost
- Labor and/or costs for replacement of any defective item(s), including but not limited to, professional installer costs
- Incidental or consequential damages, including but not limited to, as a result of set relocation, move and/or reinstall
- Cosmetic defects which do not affect performance or integrity of a part or the entire product
- Vandalism, improper use or installation, or acts of nature, including but not limited to, high winds, fire, and flood
- Minor twisting, warping, checking, or any natural occurring properties of wood that do not affect performance or integrity.
- Any KidKraft product purchased, including but not limited to, a non-approved retailer, auction houses, second-hand, and as-is clearance items.

KidKraft products have been designed for safety and quality. Modifications made to the original product may damage the structural integrity of the unit leading to failure and possible injury. KidKraft cannot assume any responsibility for the modified products. Furthermore, modifications void all warranties.

This product is warranted for **RESIDENTIAL USE ONLY**. Under no circumstance should a KidKraft product be used in public settings such as schools, churches, playgrounds, parks, home and professional day cares and the like. Such use may lead to product failure and potential injury. Public use will void this warranty. KidKraft disclaims all other representations and warranties of any kind, express or implied.

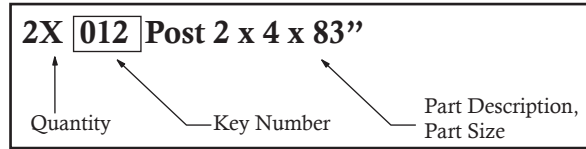
Keys to Assembly Success

Tools Required

<ul style="list-style-type: none"> • Tape Measure • Carpenters Level • Carpenters Square • Claw Hammer • Standard or Cordless Drill • Rubber Mallet 	<ul style="list-style-type: none"> • #1 Phillips, #2 Robertson and Screwdriver • Ratchet with extension (1/2" & 9/16" sockets) 	<ul style="list-style-type: none"> • Open End Wrench (1/2" & 9/16") • Adjustable Wrench • 1/8" & 3/16" Drill Bits 	<ul style="list-style-type: none"> • 3/16" Hex Key • 8' Step Ladder • Safety Glasses • Adult Helpers • Pencil
---	--	--	--

Part Identification Key

On each page, you will find the parts and quantities required to complete the assembly step illustrated on that page. Here is a sample.



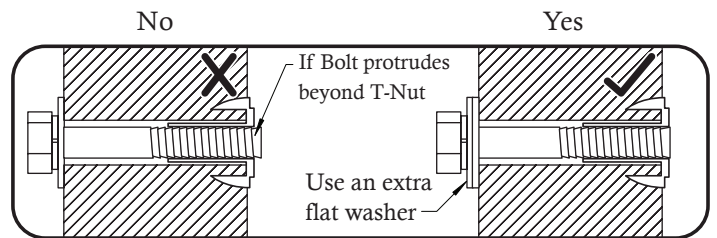
Symbols

Throughout these instructions symbols are provided as important reminders for proper and safe assembly.

<p>This identifies information that requires special attention. Improper assembly could lead to an unsafe or dangerous condition.</p>	<p>Check that set or assembly is properly level before proceeding.</p> <p>Use Level</p>
<p>Use Help</p> <p>Use Help</p> <p>Where this is shown, 2 or 3 people are required to safely complete the step. To avoid injury or damage to the assembly make sure to get help!</p>	<p>Pre-drill 1/8" & 3/16" Bit</p> <p>Pre-drill a pilot hole before fastening screw or lag to prevent splitting of wood.</p>
<p>Measure Distance</p> <p>Check that assembly is square before tightening bolts.</p> <p>Square Assembly</p> <p>Use a measuring tape to assure proper location.</p>	<p>Tighten Bolts</p> <p>This indicates time to tighten bolts, but not too tight! Do not crush the wood. This may create splinters and cause structural damage.</p>

CAUTION – Protrusion Hazard

Once the assembly is tightened, watch for exposed threads. If a thread protrudes from the T-Nut, remove the bolt and add washers to eliminate this condition. Extra washers have been provided for this purpose.

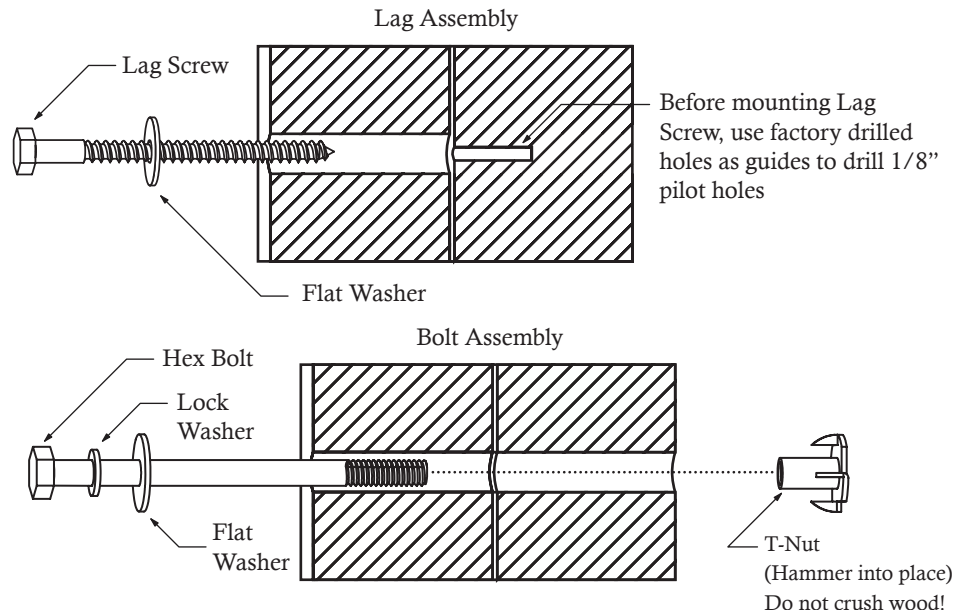


Proper Hardware Assembly

Lag screws require drilling pilot holes to avoid splitting wood. Only a flat washer is required. For ease of installation liquid soap can be used on all lag-type screws.

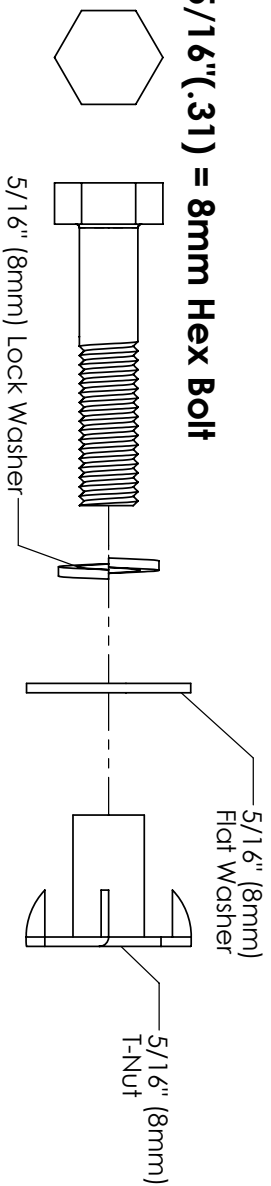
For bolts, tap T-Nut into hole with hammer. Insert the hex bolt through lock washer first then flat washer then hole. Because the assemblies need to be squared do not completely tighten until instructed. Pay close attention to diameter of the bolts. 5/16" is slightly larger than 1/4".

Note: Wafer head bolts with blue lock tight or a bolt with a Ny-Lok nut do NOT require a lock washer.

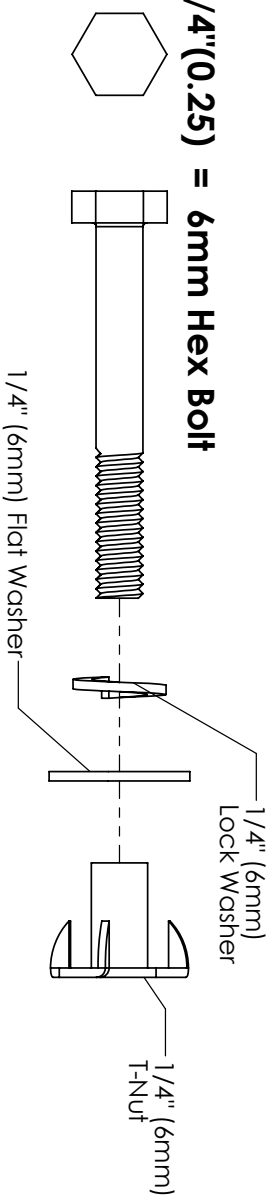


KIDKRAFT HARDWARE

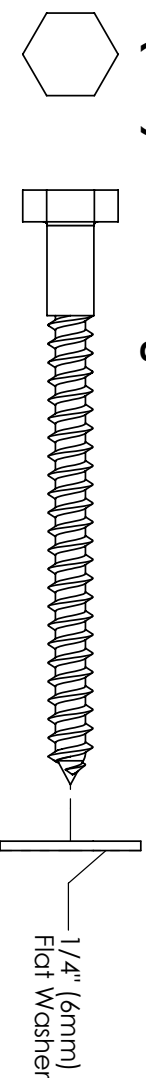
5/16"(.31) = 8mm Hex Bolt



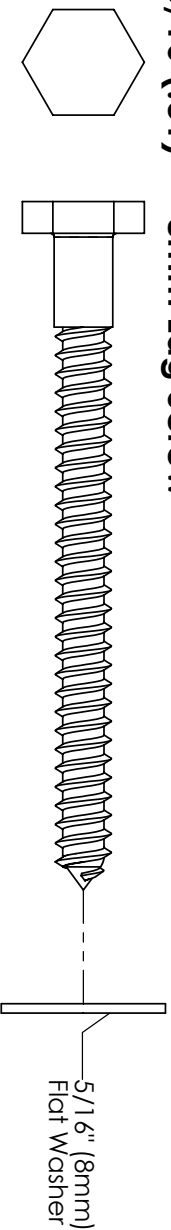
1/4"(0.25) = 6mm Hex Bolt



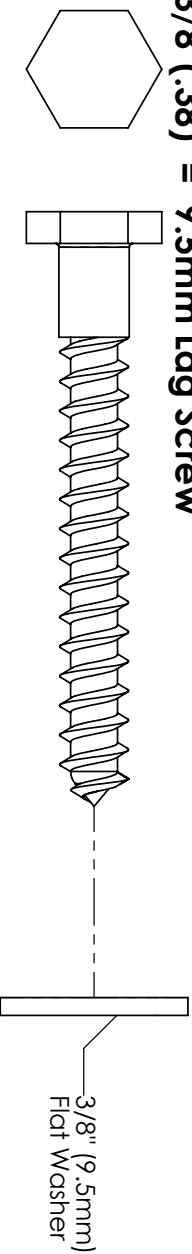
1/4"(0.25) = 6mm Lag Screw



5/16"(.31) = 8mm Lag Screw



3/8"(.38) = 9.5mm Lag Screw



HARDWARE LENGTH CHART inches vs millimetres

6	152
5½	140
5	127
4½	114
4	102
3½	89
3	76
2½	64
2	51
1½	38
1¼	32
1-1/8	29
1	25.4
7/8	22
3/4	19
1/2	12.7

DIAMETER CONVERSION

1 inch = 25.4mm

For example:

BOLT DIAMETER 5/16 (0.31) inches

0.31 inches x 25.4mm = 8mm

LENGTH CONVERSION

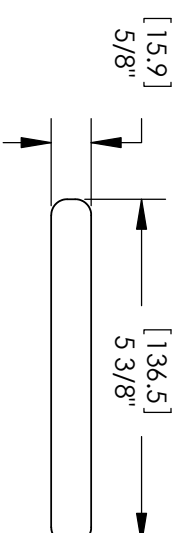
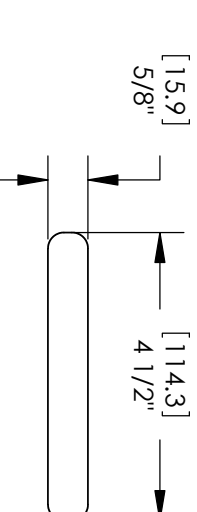
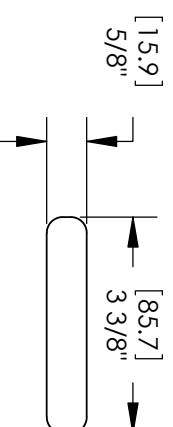
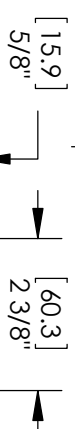
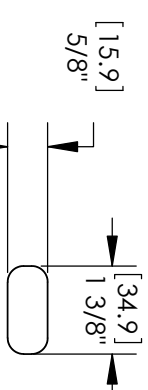
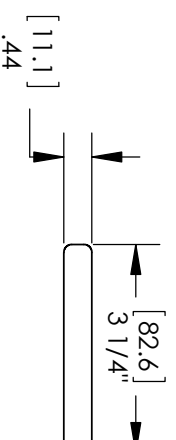
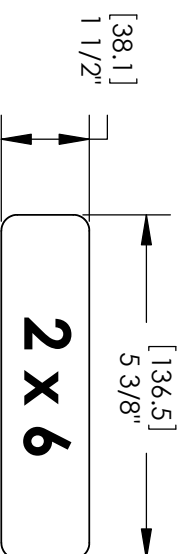
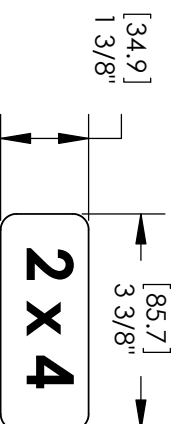
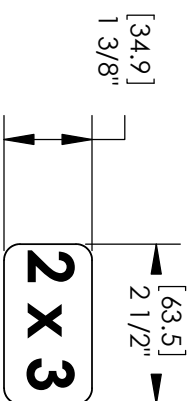
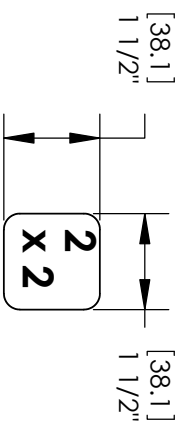
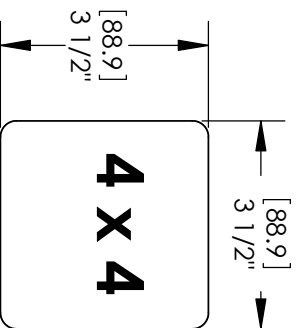
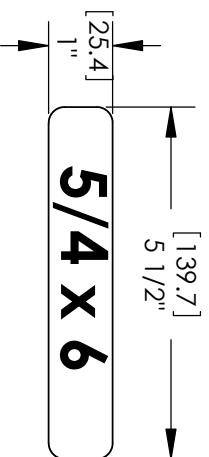
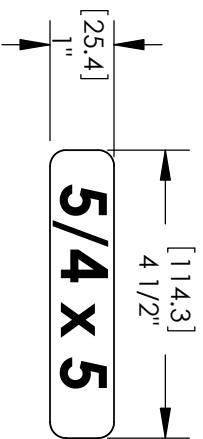
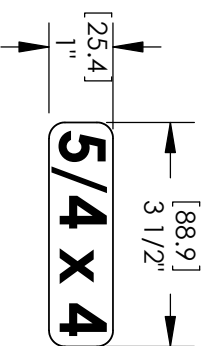
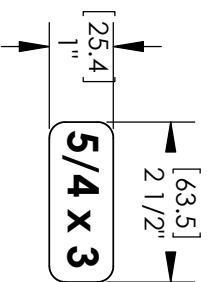
1 inch = 25.4mm

For example:

BOLT LENGTH 4½ (4.5) inches long

4.5 inches x 25.4mm = 114mm long

KIDKRAFT WOOD PROFILE



1/2 x 4

1 x 2

1 x 3

1 x 4

1 x 5

1 x 6

LENGTH CONVERSION

1 inch = 25.4mm

For example:

BOARD LENGTH 59 1/4 (59.25) inches

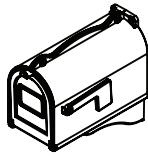
59.25 inches x 25.4mm = 1505mm

Dimensions in brackets [mm] represent millimetres.

Part Identification (Reduced Part Size) -Box 1



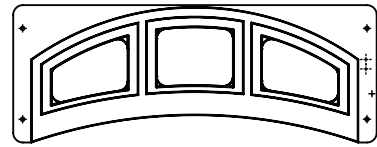
1x - KidKraft ID Plaque (9320374)



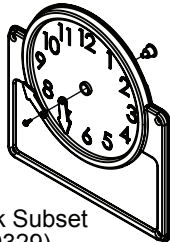
1x - Mailbox (3320107)



1x - Clicker Phone (3320252)

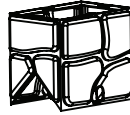


1x - 3 Pane Modular Transom Window (2pk) (3320538)



1x - Clock Subset (3320329)

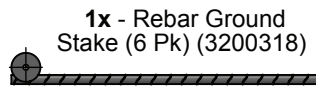
1x - Base Clock (9320124)



1x - Chimney Wall (9320606)



1x - Quick Link with Thread (6 Pk) (3206020)



1x - Rebar Ground Stake (6 Pk) (3200318)



1x - Cedar Summit Plaque (9320358)

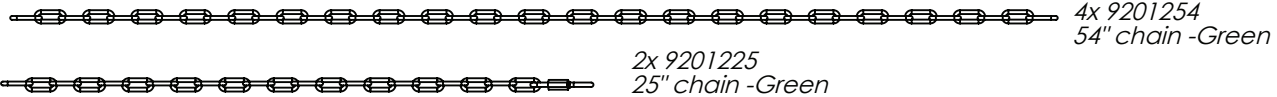


1x - Jamb Mount (4 Pk) (3206302)

1x - Rocks (5pk) (3320386)

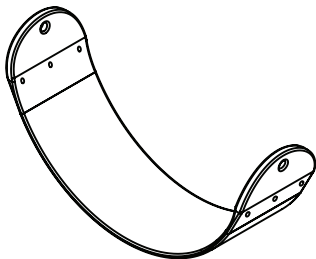


1x - Welded Chain Bag (3200170) Green



4x 9201254 54" chain -Green

2x 9201225 25" chain -Green



2x - Swing Belt Seat (9320130) Green

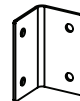
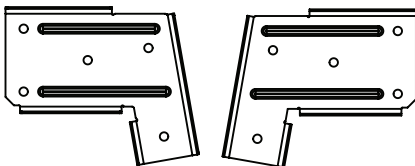


1x - Swing Hanger (6 Pk) (3206106)



2x - Acro Handle (9320131) Green

1x - Beam Brkt.Set (3200143)



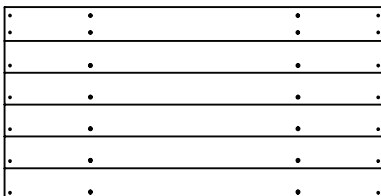
1x - Beam L Brkt. (3200145) (2pk)



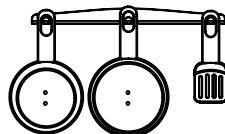
1x - Acro Bar (9200130) Green

(2) 2756

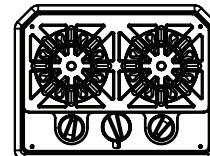
Siding Assembly 1 1/4 x 19-15/16 x 39-3/16" (32 x 506 x 995mm) 37632756



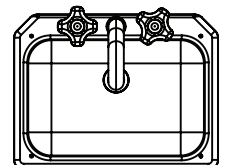
1x - Deluxe Kitchen Set (3320969)



1x - Utensil Shelf




1x - Deluxe Stove Assembly

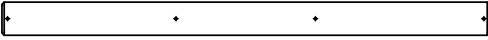


1x - Deep Sink, Faucet, Knobs

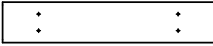
Part Identification - Box 1

(2) **2717** - 3/4 x 1-3/4 x 9-3/4" Clock Block
 **3632717**

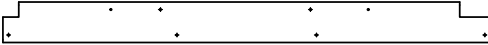
(1) **2686** - Counter Front 5/8 x 2-3/4 x 40-5/8" **3632686**



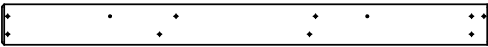
(2) **2716** - Counter Mid Top 1 x 4 x 17-5/8" **3632716**



(1) **2685** - Counter Top 1 x 4 x 40-5/8" **3632685**



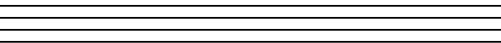
(1) **2687** - Counter Back 1 x 4 40-5/8" **3632687**



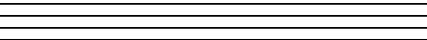
(1) **0475** - 15/16 x 4-1/4 x 6-1/4" - Chimney Top **38047567**



(1) **2601** - 1-1/4 x 3 x 41-15/16" Lower Jamb **3632601**



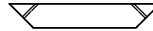
(1) **2602** - 1-1/4 x 3 x 35-15/16" Upper Jamb **3632602**



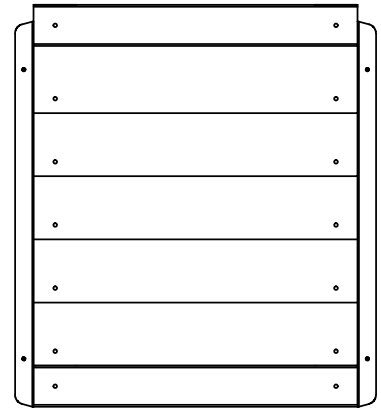
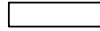
(2) **0455** - Counter Side 5/8 x 2 x 6-3/4" **38045536**



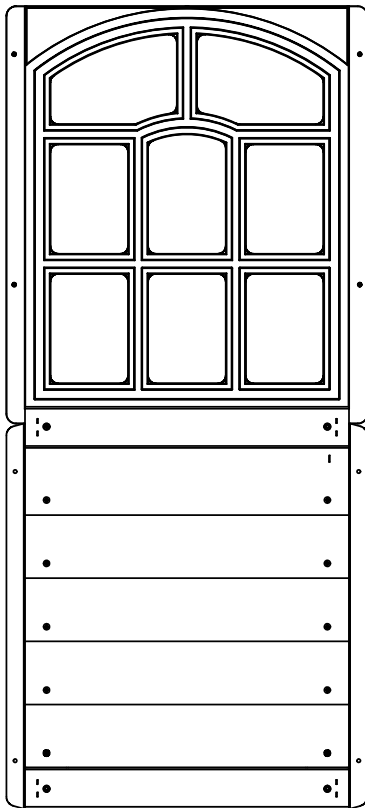
(2) **0461** - 1 x 2 x 12-9/16" - Counter Brace **38046136**



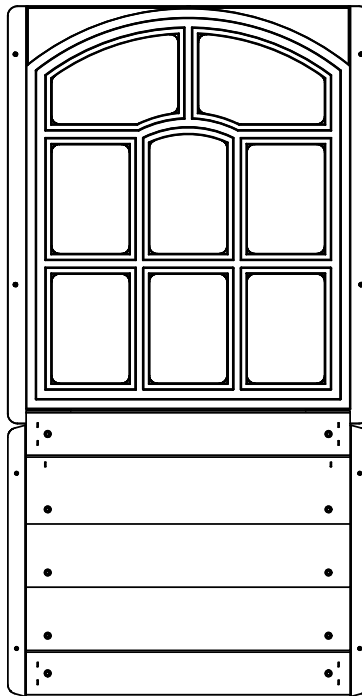
(4) **0457** - 1 x 2 x 8-1/4" - Counter Joist **38045736**



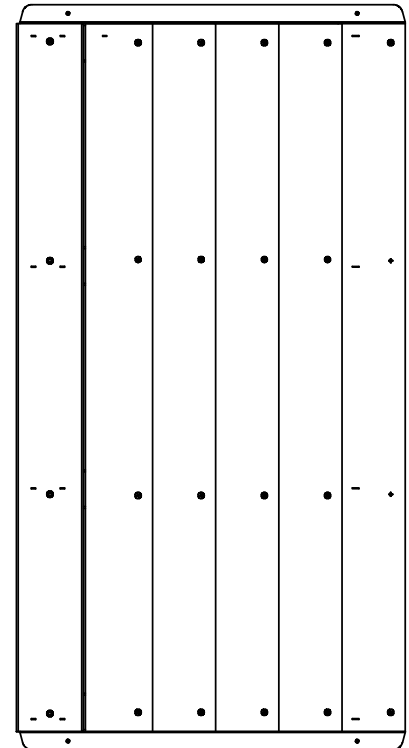
(1) **649A** Short Half Wall
 1.27 x 18.8 x 20-15/16" (32 x 477 x 532mm)
37632649A



(1) **2720**
 Lower Window Insert 1.27 x 18.8 x 41.91"
37632720



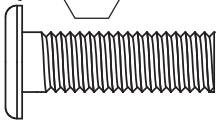
(2) **2719**
 Upper Window Insert 1.27 x 18.8 x 35.86"
 (32 x 478 x 911mm) **37632719**



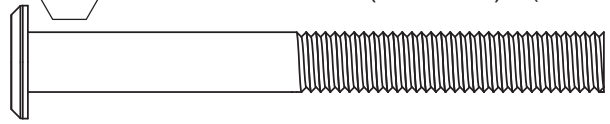
(1) **2665** Half Wall Insert 1.4 x 20-1/4 x 38.8"
 (35 x 514 x 985mm) **37632665**

Hardware - Box 1 (Actual Size)

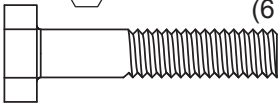
2pc. **WB1** - Wafer Bolt 5/16 x 1" - (53613310)
(8 x 25mm)



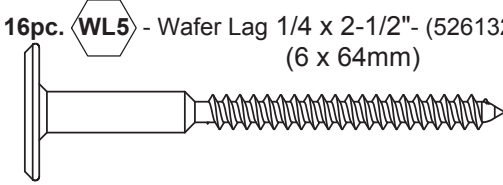
3pc. **WB7** - Wafer Bolt 5/16 x 3" (8 x 76mm) - (53613330)



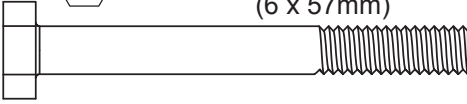
24pc. **H9** - Hex Bolt 1/4 x 1-1/4" - (53703211)
(6 x 32mm)



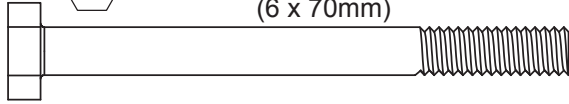
16pc. **WL5** - Wafer Lag 1/4 x 2-1/2" - (52613222)
(6 x 64mm)



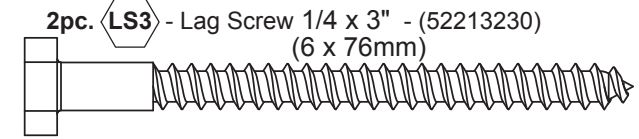
4pc. **H10** - Hex Bolt 1/4 x 2-1/4" - (53703221)
(6 x 57mm)



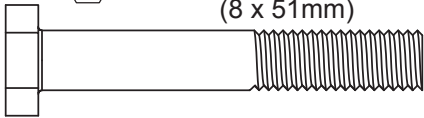
4pc. **H11** - Hex Bolt 1/4 x 2-3/4" - (53703223)
(6 x 70mm)



2pc. **LS3** - Lag Screw 1/4 x 3" - (52213230)
(6 x 76mm)



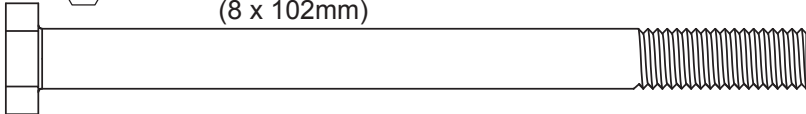
4pc. **G8** - Hex Bolt 5/16 x 2" - (53703320)
(8 x 51mm)



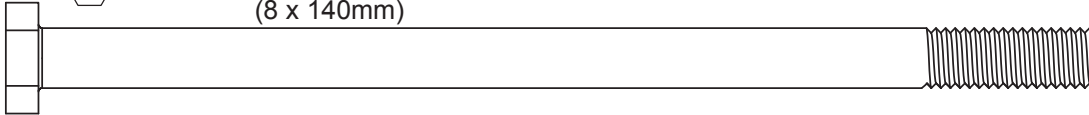
7pc. **G21** - Hex Bolt 5/16 x 3-3/4" - (53703333)
(8 x 95mm)



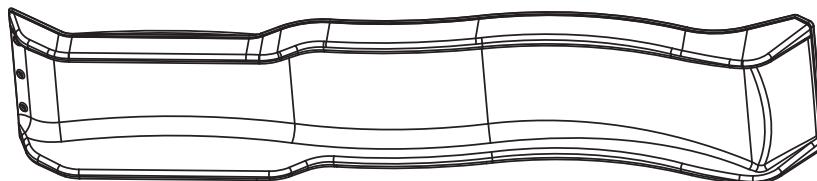
3pc. **G4** - Hex Bolt 5/16 x 4" - (53703340)
(8 x 102mm)



14pc. **G7** - Hex Bolt 5/16 x 5-1/2" - (53703352)
(8 x 140mm)

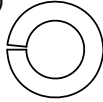


48" High Rail Slide -7310248

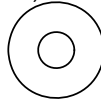


Hardware - Box 1 (Actual Size)

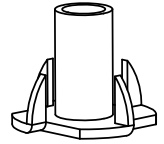
5pc. **LW2** - 5/16" (8mm) Lock Washer -
(51303300)



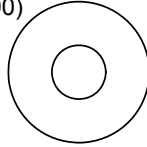
5pc. **FW0** - 3/16" (5mm) Flat Washer -
(51103100)



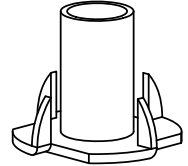
32pc. **TN1** - 1/4" (6mm) T - Nut
(54503200)



50pc. **FW1** - 1/4"(6mm) Flat Washer -
(51103200)



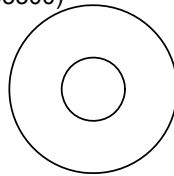
10pc. **TN2** - 5/16" (8mm) T- Nut
(54503300)



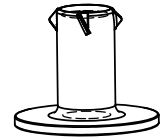
37pc. **LW1** - 1/4"(6mm) Lock Washer -
(51303200)



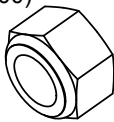
56pc. **FW2** - 5/16" (8mm) Flat
Washer - (51103300)



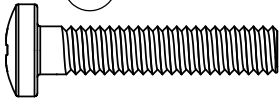
5pc. **BN1** - 1/4" (6mm) Barrel Nut
(54803200)



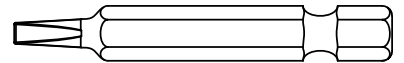
23pc. **LN2** - 5/16"(8mm) Lock Nut
(54303300)



5pc. **PB2** - Pan Bolt 1/4 x 1-1/4" (53433212)



1pc. **D4** - 2 x 2 Robertson Driver Bit (9200014)



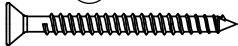
16pc. **S13** - Pan Screw #6 x 5/8" - (52413908)



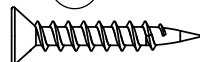
79pc. **S0** - Truss Screw #8 x 7/8" - (52933505)



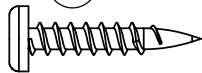
20pc. **TS** - Trim Screw #6 x 30mm - (52953911)



4pc. **S18** - Wood Screw #6 x 1" - (52013910)



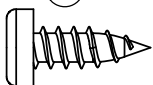
8pc. **S10** - Pan Screw #8 x 1"
(52433510)



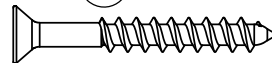
56pc. **S30** - Wood Screw #8 x 1-1/16" - (52043517)



16pc. **S8** - Pan Screw #12 x 3/4"
(52433603)



90pc. **S20** - Wood Screw #8 x 1-3/8" - (52043516)



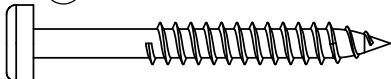
4pc. **S11** - Wood Screw #8 x 2" - (52043520)



12pc. **S3** - Wood Screw #8 x 2-1/2" - (52043522)



9pc. **S7** - Pan Screw #12 x 2" - (52433620)

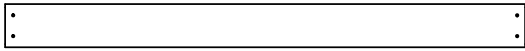


4pc. **S4** - Wood Screw #8 x 3" - (52043530)



Part Identification - Box 2

1pc. - **[2648]** - 1 x 4 x 40-5/8" (16 x 86 x 1032mm) - Floor Board **3632648**



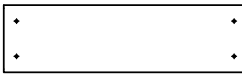
8pc. - **[2609]** - 1 x 5 x 40-5/8" (16 x 114 x 1032mm) - Floor Board **3632609**



2pc. - **[2780]** - 1 x 6 x 19" (16 x 137 x 483mm) RK Board A **3632780**



2pc. - **[2779]** - 1 x 6 x 19" (16 x 137 x 483mm) Access Board **3632779**



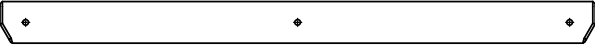
3pc. - **[2781]** - 1 x 6 x 19" (16 x 137 x 483mm) RK Board B **3632781**



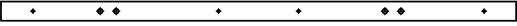
2pc. - **[2778]** - 5/4 x 4 x 14 1/4" (25 x 89 x 362) SW Ground MOD **3632778**



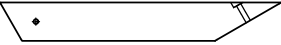
1pc. - **[2616]** - 5/4 x 4 x 46-1/2" (25 x 89 x 1181mm) SW Support **3632616**



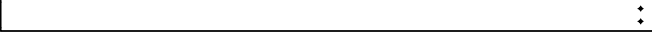
2pc. - **[2777]** - 2 x 2 x 40-1/4" (38 x 38 x 1022mm) - Side Joist MOD **3632777**



2pc. - **[2607]** - 1-1/4 x 3 x 22" (32 x 76 x 559mm) - Diagonal **3632607**



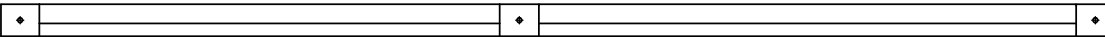
2pc. - **[2776]** - Rock Rail 1 1/4 x 2 1/2 x 51" (32 x 64 x 1295mm) **3632776**



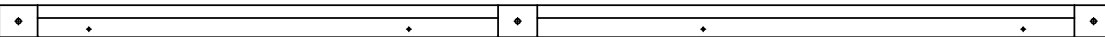
1pc. - **[2608]** - 1-1/4 x 3 x 40-3/4" (32 x 76 x 1035mm) - Floor Joist **3632608**



3pc. - **[2770]** - End Post Left 1 1/4 x 2 1/2 x 87" (32 x 64 x 2210mm) **3632770**



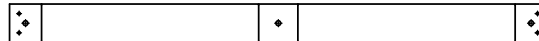
3pc. - **[2771]** - End Post 1 1/4 x 2 1/2 x 87" (32 x 64 x 2210mm) **3632771**



2pc. - **[2772]** - Panel Floor Support 1 1/4 x 3 x 42" (32 x 76 x 1067mm) **3632772**



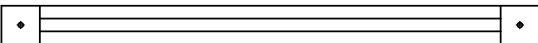
2pc. **[2775]** Panel Cross Support 1 1/4 x 3 x 42" (32 x 76 x 1067mm) **3632775**



5pc. - **[2769]** - Panel BT Frame 1 1/4 x 3 x 42" (32 x 76 x 1067mm) **3632769**



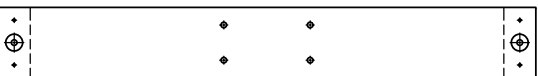
2pc. - **[2774]** - Upright 1 1/4 x 3 x 42" (32 x 76 x 1067mm) **3632774**



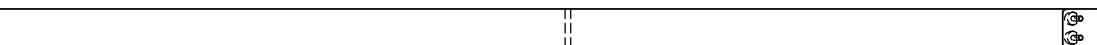
2pc. - **[2768]** - Panel Floor 1 1/4 x 3 x 42" (32 x 76 x 1067mm) **3632768**



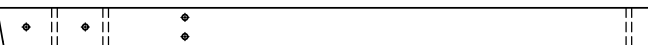
1pc. - **[2630]** - SW Top 1 1/4 x 5 1/2 x 42" (32 x 140 x 1067mm) **39632630**



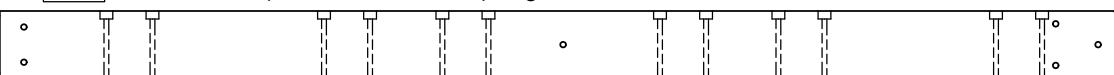
2pc. - **[2613]** - 2 x 3 x 86-11/16" (51 x 76 x 2202mm) - Heavy SW Post **3632613**



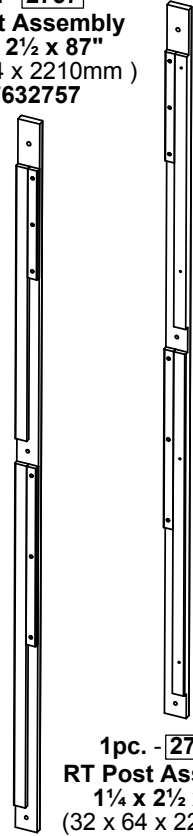
1pc. - **[2615]** - 4 x 4 x 50-15/16" - (76 x 76 x 1294mm) SW Upright **3632615**



1pc. - **[2614]** - 4 x 6 x 88" - (76 x 133 x 2235mm) Engineered Beam **3632614**



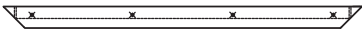
1pc. - **[2757]**
LT Post Assembly
1 1/4 x 2 1/2 x 87"
(32 x 64 x 2210mm)
37632757



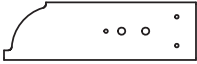
1pc. - **[2758]**
RT Post Assembly
1 1/4 x 2 1/2 x 87"
(32 x 64 x 2210mm)
37632758

Part Identification - Box 3

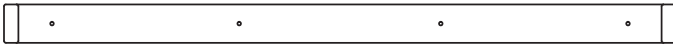
(4) **2760** Roof Support 1 1/4 x 2 1/4 x 37 1/2" **3632760**



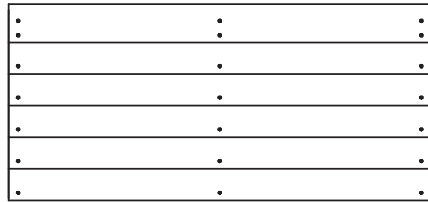
(4) **2759** Roof End 1-1/4 x 3 x 10" (32 x 76 x 254mm) **3632759**



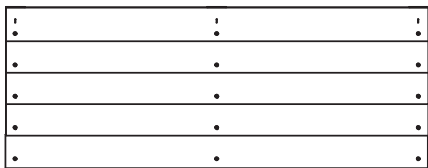
(2) **2761** - Roof Sleeper C 3/4 x 2 x 35" (19 x 51 x 889mm) **3632761**



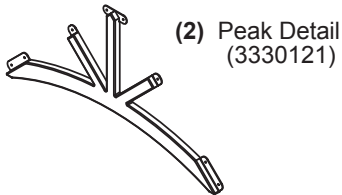
(1) **2752** - MOD Roof Front 1 1/4 x 20-7/16 x 44" **37632752**



(2) **2751** - MOD Roof Bottom 1-3/16 x 16 25/32 x 44" **37632751**

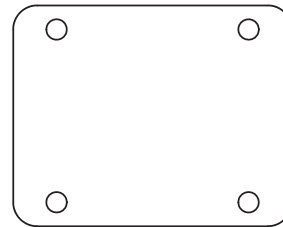


(1) **2601** - 1-1/4 x 3 x 41-15/16" Lower Jamb **3632601**



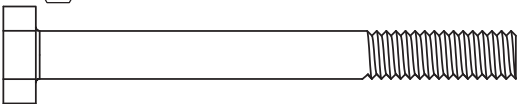
(2) Peak Detail (3330121)

(1) Narrow Angle Bracket (3 Pk) (3200640)



(2) Jamb Mount (9206300)

(4) **H3** - Hex Bolt 1/4 x 2-1/2" - **53703222**



(8) **S20** - Wood Screw #8 x 1-3/8" - **52043516**



(27) **S11** - Wood Screw #8 x 2" - **52043520**



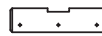
(8) **S3** - Wood Screw #8 x 2-1/2" - **52043522**



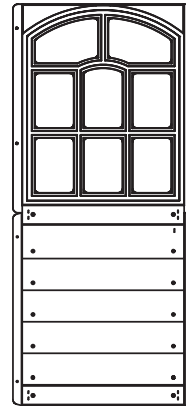
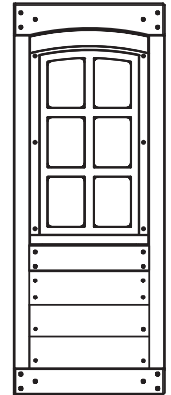
(16) **S13** - Pan Screw #6 x 5/8" - **52413908**



(1) **2715** - 5/4 x 3 x 10" - Door Stop **3632715**



(1) **2718** Door Window Panel 1 1/4 x 15 3/4 x 40 3/4 **37602718B**



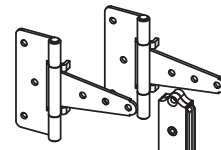
(1) **2720**

Lower Window Insert 1.27 x 18.8 x 41.91" **37632720**

(1) **2753** - MOD Roof Back 1 1/4 x 20-13/64 x 44" **37632753**



1x - Door Hardware (3201710)



2x 9201712 Door Hinge

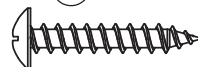
9207713 Door Catch



1x Magnetic Catch
1x Catch Plate

2x 9201711 Door Handle

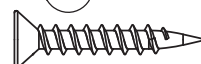
(23) **S0** - Truss Screw #8 x 7/8" - **52933505**



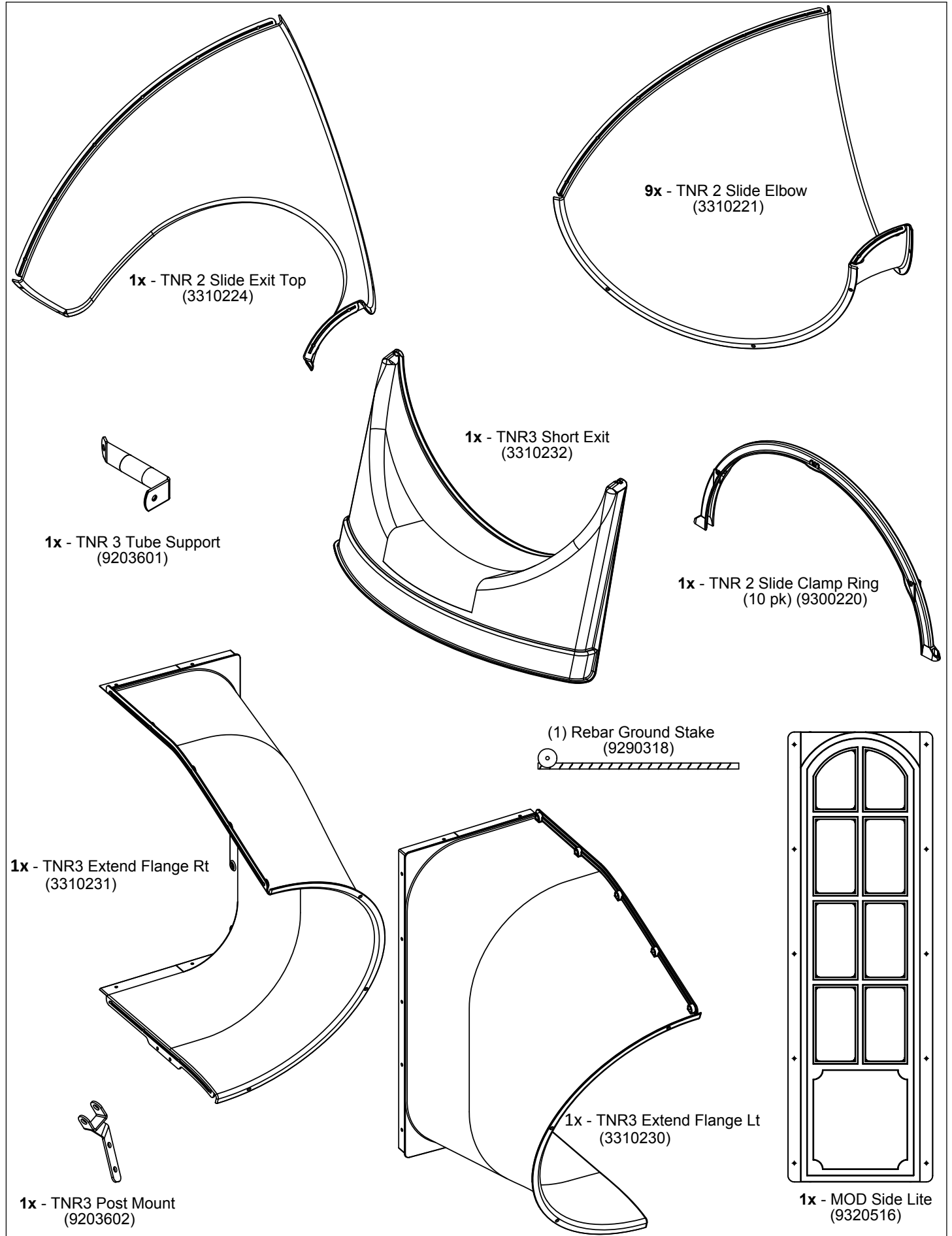
(2) **S4** - Wood Screw #8 x 3" - **52043530**



(4) **S18** - Wood Screw #6 x 1" - **52013910**



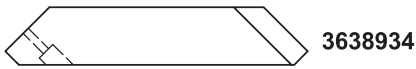
Part Identification (Reduced Part Size)



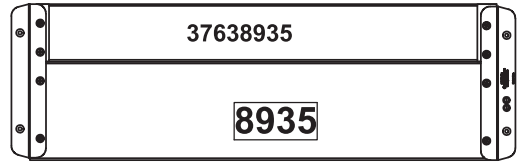
Next Generation TNR3 (Reduced Part Size)

(1) SL Gusset 1 1/4 x 3 x 15 3/4" (32 x 76 x 400mm)

8934



(1) Lower SL Insert 1.36 x 8-1/8 x 26 1/4" (34 x 206 x 667mm)



(1) TNR Upright 1 1/4 x 3 x 20 1/4" (32 x 76 x 514mm)

8965



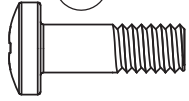
(1) TNR Ground Brace 1 1/4 x 3 x 32 1/4" (32 x 76 x 819mm)

8963

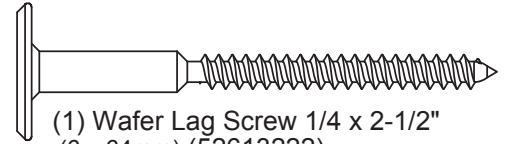


Next Generation TNR3 (Actual Size)

94pc. (PB1) - Pan Bolt 1/4 x 3/4" (6 x 19mm)

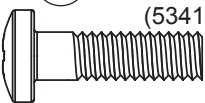


(53453203)



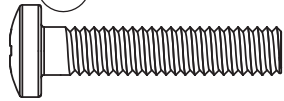
(1) Wafer Lag Screw 1/4 x 2-1/2" (6 x 64mm) (52613222)

1pc. (PB6) - Pan Bolt 1/4 x 1" (6 x 25mm)



(53413210)

1pc. (PB2) - Pan Bolt 1/4 x 1-1/4" (6 x 32mm)



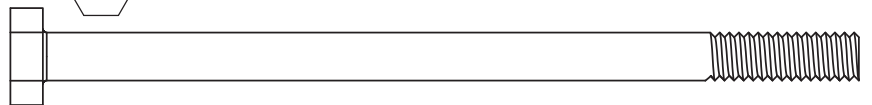
(53433212)

1x (D1) - Quadrex Driver Bit (9200015)

8pc. (FW6) - #12 Screw Bezel - (9299500)



1pc. (H8) Hex Bolt 1/4 x 4 1/4" (6 x 108mm)- (53703241)



4pc. (FW1) - 1/4" (6mm) Flat Washer (51103200)

18pc. (S0) - Truss Screw #8 x 7/8"



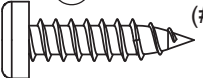
(#8 x 22mm) (52933505)

1pc. (LW1) - 1/4" (6mm) Lock Washer

(51303200)



19pc. (S6) - Pan Screw #12 x 1"



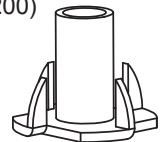
(#12 x 25mm) (52433610)

94pc. (LN1) - 1/4" (6mm) Lock Nut

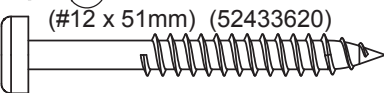
(54303200)



1pc. (TN1) - 1/4" (6mm) T - Nut (54503200)



5pc. (S7) - Pan Screw #12 x 2"



(#12 x 51mm) (52433620)

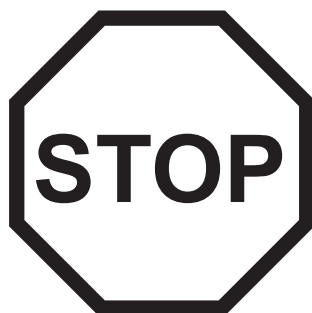
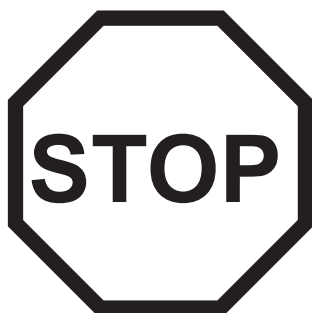
1pc. (S4) - Wood Screw #8 x 3" (#8 x 76mm) (52043530)



3pc. (S11) - Wood Screw #8 x 2" (#8 x 51mm)(52043520)

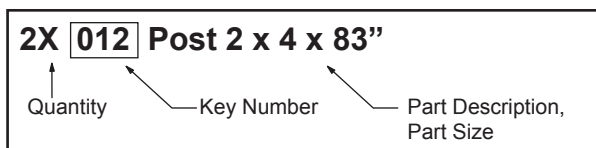


First Step: Inventory Parts - Read This Before Starting Assembly



A. This is the time for you to inventory all your hardware, wood and accessories, referencing the parts identification sheets. This will assist you with your assembly.

- The wood pieces will have the key number stamped on the ends of the boards. Organize the wood pieces by step, as per the key numbering system below.



- Please refer to Page 7 for proper hardware assembly.
- Each step indicates which bolts and/or screws you will need for assembly, as well as any flat washers, lock washers, t-nuts or lock nuts.

B. If there are any missing or damaged pieces or you need assistance with assembly please contact the consumer relations department directly. Call us before going back to the store.

1.800.933.0771 or 972.385.0100
 customerservice@kidkraft.com
 canadacustomerservice@kidkraft.com
 For online parts replacement visit
<https://parts.kidkraft.com/>

+31 20 305 8620
 europecustomerservice@KidKraft.com
 For online parts replacement visit
<https://parts.kidkraft.eu/>

C. Read the assembly manual completely, paying special attention to ANSI warnings; notes; and safety/maintenance information on pages 1 - 7.

D. Before you discard your cartons fill out the form below.

- The carton I.D. stamp is located on the end of each carton. The tracking number is located on the KidKraft ID Plaque (9320374).
- Please retain this information for future reference. You will need this information if you contact the Consumer Relations Department.

MODEL NUMBER: F25890

CARTON I.D. STAMP: _ _ _ _ _ 14459 _ (Box 1)

CARTON I.D. STAMP: _ _ _ _ _ 14459 _ (Box 2)

CARTON I.D. STAMP: _ _ _ _ _ 14459 _ (Box 3)

CARTON I.D. STAMP: _ _ _ _ _ 14459 _ (Box 4)

CARTON I.D. STAMP: _ _ _ _ _ 14459 _ (Box 5)

CARTON I.D. STAMP: _ _ _ _ _ 14459 _ (Box 6)

TRACKING NUMBER (from ID Plaque): _____

Step 1: Front and Back Wall Prep Part 1



It is important to assemble the frame on a flat, smooth surface.

A: Place (2771) End Post and (2770) End Post Left side by side with the grooves facing up and in. Put (2770) End Post Left on the right hand side. Place (2775) Panel Cross Support in the top grooves, (2772) Panel Floor Support in the middle grooves and (2769) Panel BT Frame in the bottom grooves. (fig. 1.1).

B: Make sure assembly is square then attach with 4 (S30) Wood Screws per board. (fig. 1.1)

C: Tap 3 (TN1) T-nuts in (2775) Panel Cross Support and (2772) Panel Floor Support and 2 in (2769) Panel BT Frame. (fig. 1.1 and 1.2)

Fig. 1.1

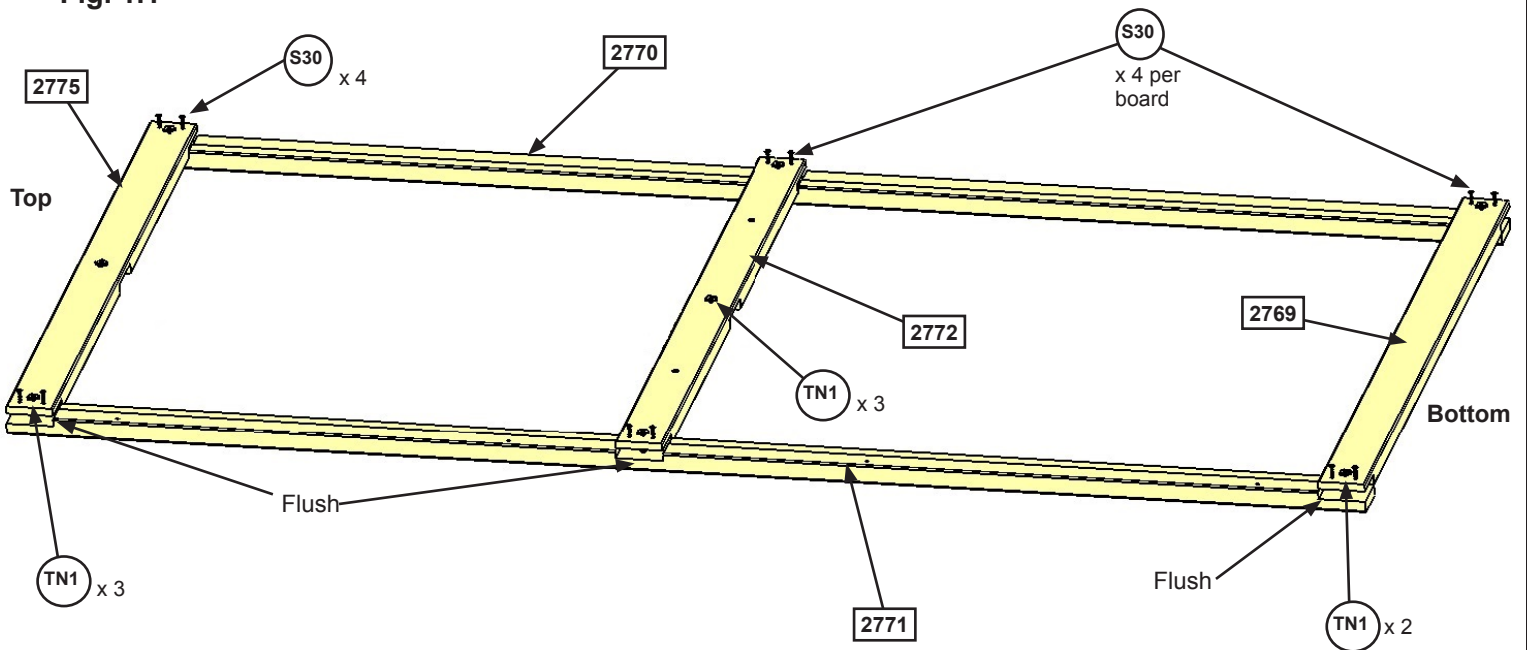
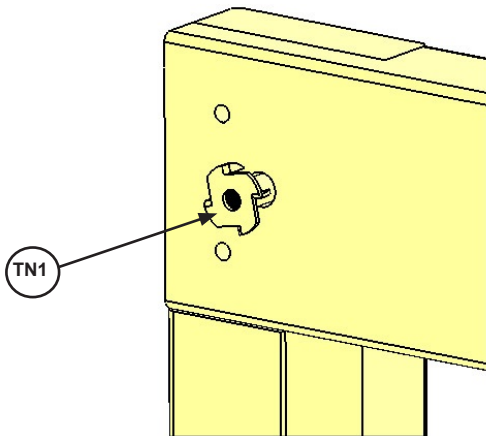


Fig. 1.2



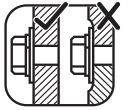
Wood Parts

2 x		End Post
2 x		End Post Left
2 x		Panel Cross Support
2 x		Panel Floor Support
2 x		Panel BT Frame

Hardware

24 x		Wood Screw
16 x		T-nut

Step 1: Front and Back Wall Prep Part 2



It is important to assemble the frame on a flat, smooth surface.

D: Turn the assembly over, place (2774) Upright in the middle grooves of (2775) Panel Cross Support and (2772) Panel Floor Support then attach all boards with 8 (H9) Hex Bolts (with lock washer and flat washer) connecting to the previously installed t-nuts. (fig. 1.3 and 1.4)

E: Repeat steps A-D for a second assembly.

Fig. 1.3

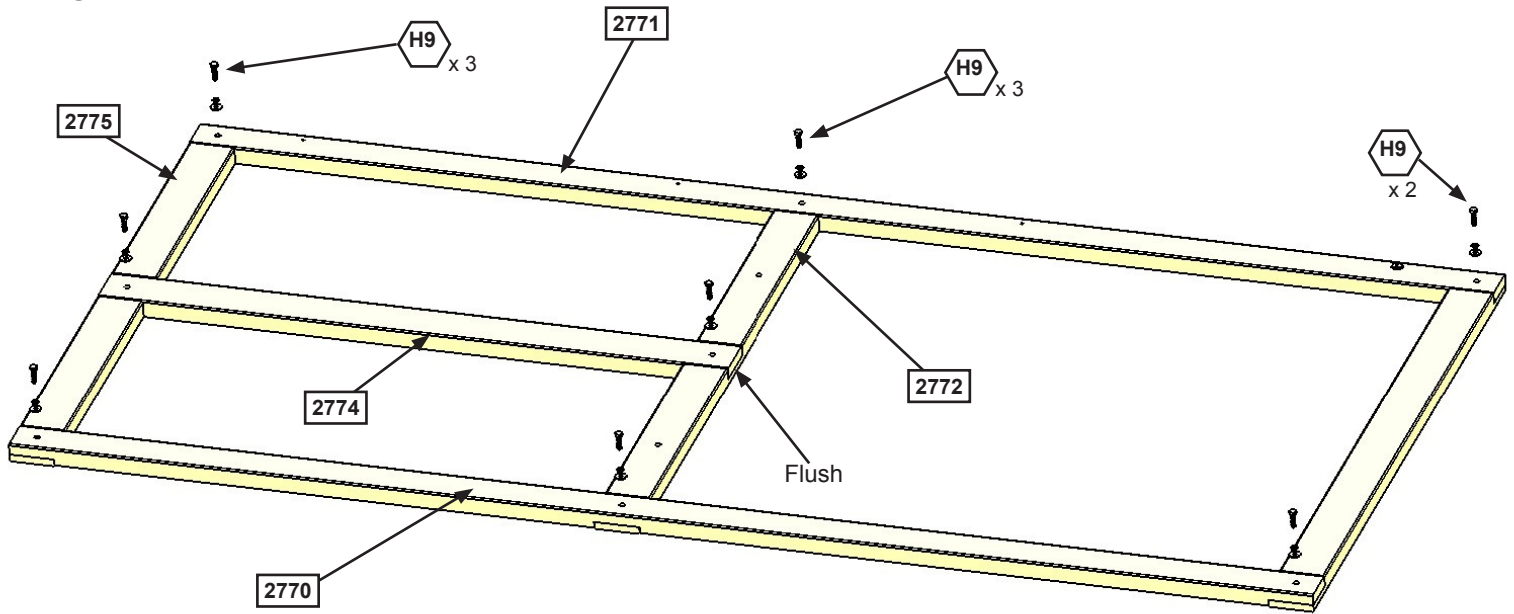
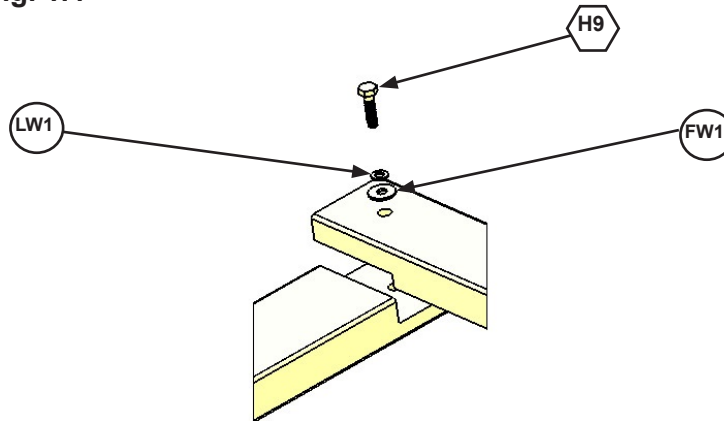


Fig. 1.4



Wood Parts

2 x 2774 Upright

Hardware

16 x H9 Hex Bolt
(lock washer & flat washer)

Step 2: End Wall Prep Part 1



It is important to assemble the frame on a flat, smooth surface.

A: Place (2768) Panel Floor and 2 (2769) Panel BT Frames on a hard, flat surface with the long side up. Tap in 2 (TN1) T-nuts per board. (fig. 2.1)

B: Place (2771) End Post and (2770) End Post Left side by side with the grooves facing up and in. (2770) End Post Left on the right hand side. Place (2769) Panel BT Frames in the top and bottom grooves (2768) Panel Floor in the middle grooves. (fig. 2.2).

C: Make sure assembly is square then attach with 4 (S30) Wood Screws per board. (fig. 2.2)

Fig. 2.1

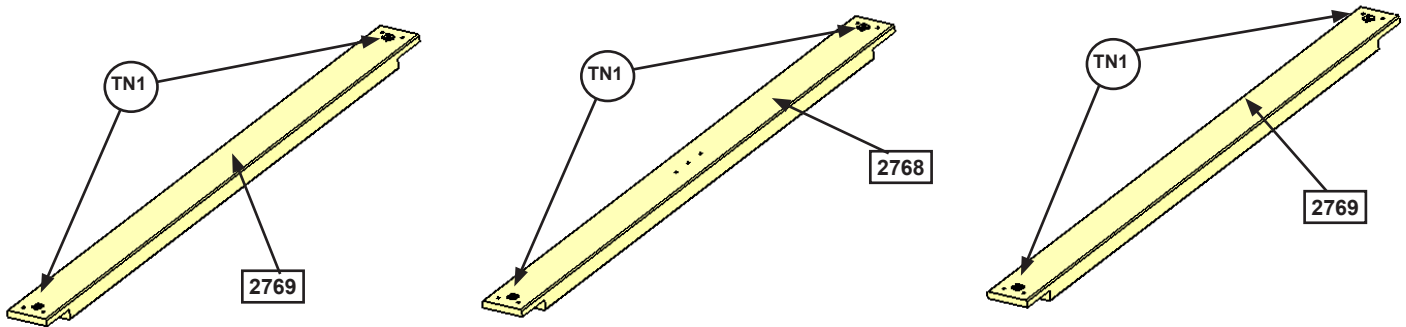
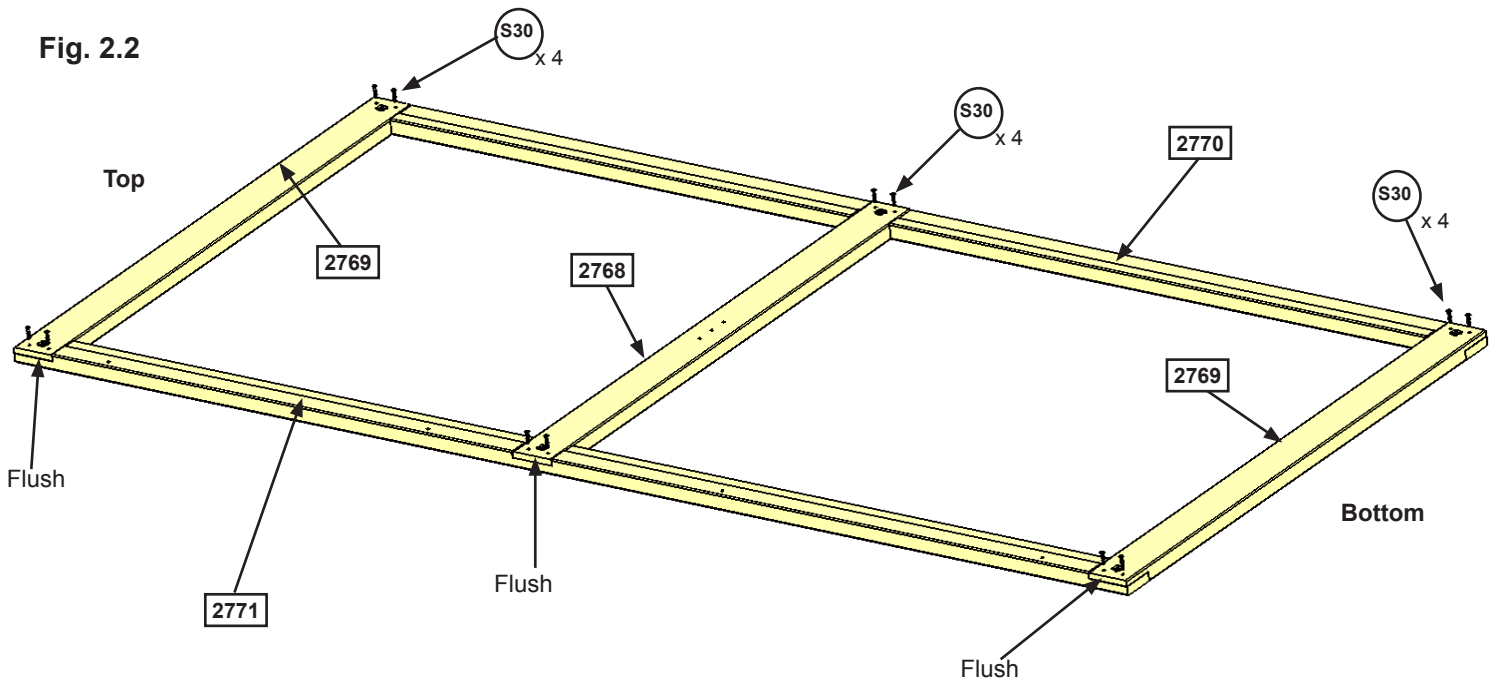


Fig. 2.2



Wood Parts

- 1 x 2768 Panel Floor
- 2 x 2769 Panel BT Frame
- 1 x 2771 End Post
- 1 x 2770 End Post Left

Hardware

- 12 x S30 Wood Screw
- 6 x TN1 T-nut

Step 2: End Wall Prep Part 2



It is important to assemble the frame on a flat, smooth surface.

D: Turn the assembly over then attach all boards with 6 (H9) Hex Bolts (with lock washer and flat washer) connecting to the previously installed t-nuts. (fig. 2.3 and 2.4)

Fig. 2.3

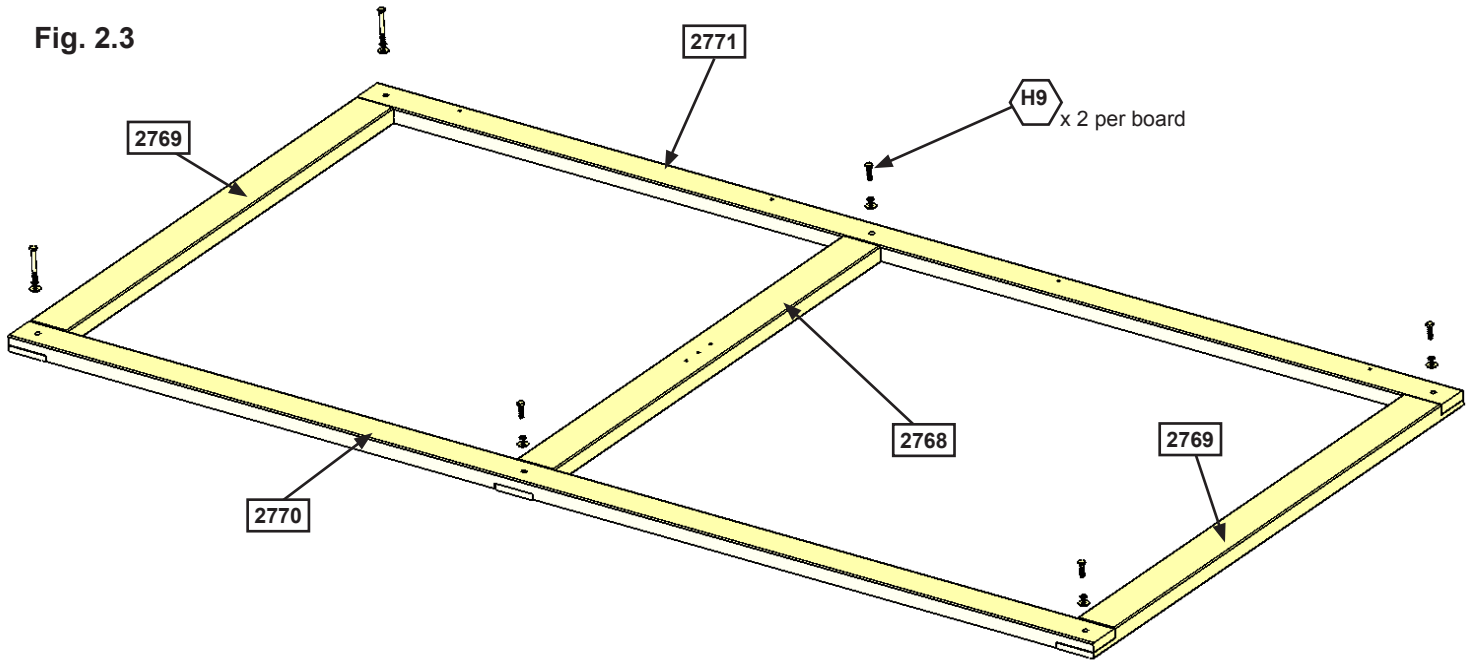
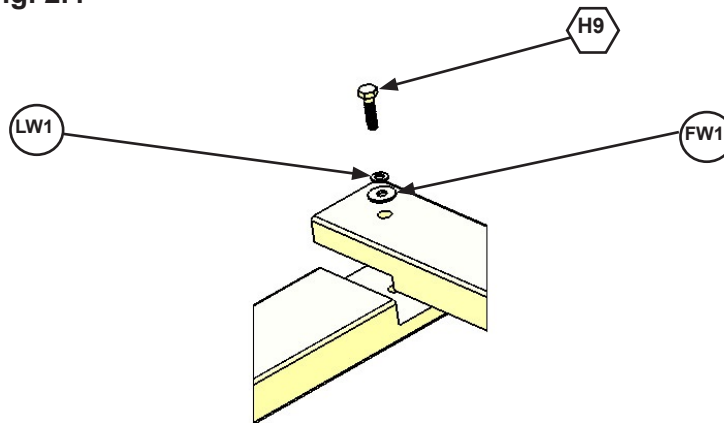


Fig. 2.4



Hardware

6 x  Hex Bolt
(lock washer & flat washer)

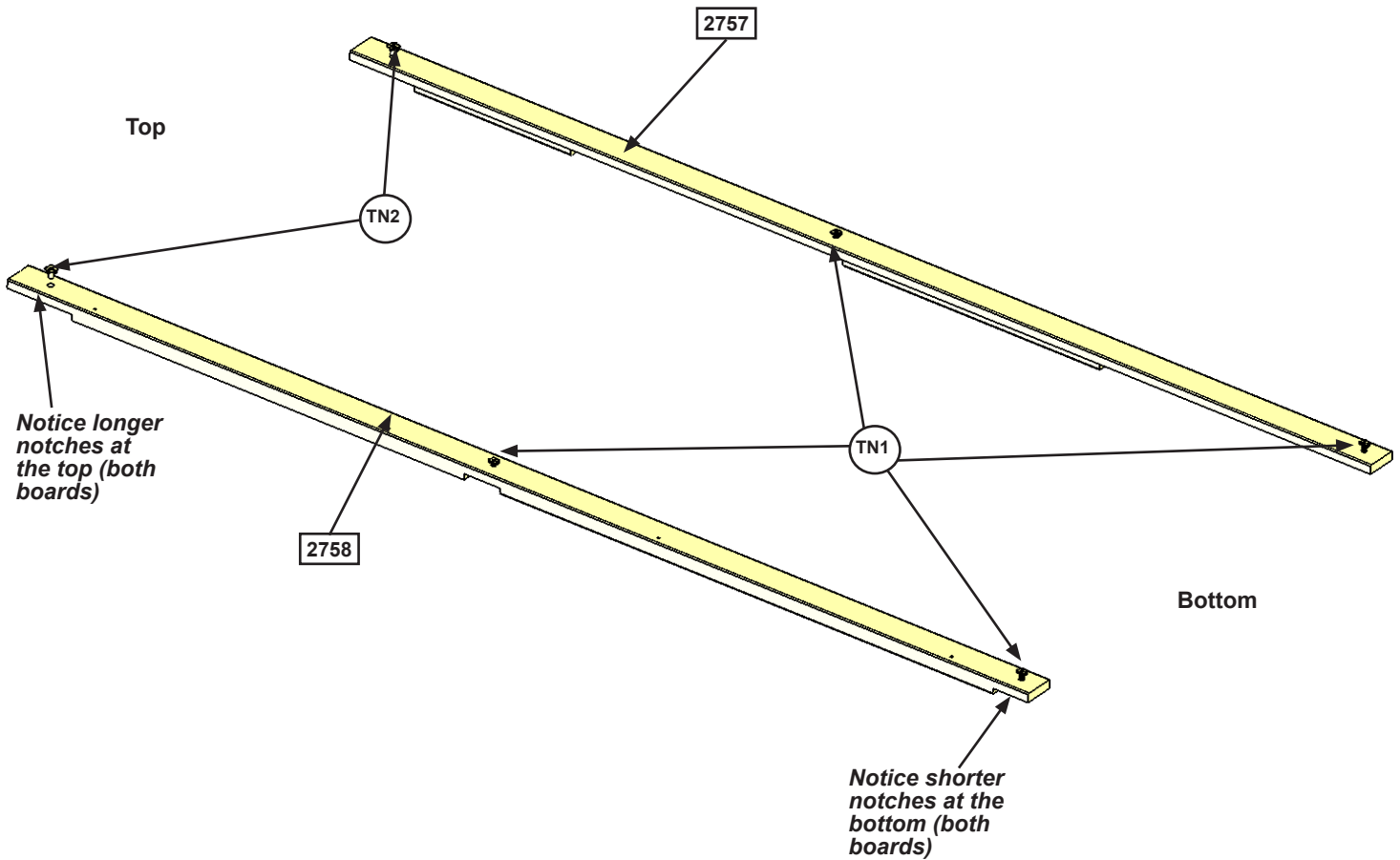
Step 3: Swing Wall Prep Part 1

It is important to assemble the frame on a flat, smooth surface.

A: Place (2757) LT Post Assembly and (2758) RT Post Assembly on a hard, flat surface with the notches facing down. The top of the post assemblies have the longer notches. (fig. 3.1)

B: Tap 1 (TN2) T-nut in the top holes and 1 (TN1) T-nut in the middle and bottom holes. (fig. 3.1).

Fig. 3.1



Wood Parts

- 1 x LT Post Assembly
- 1 x RT Post Assembly

Hardware

- 2 x T-nut
- 4 x T-nut

Step 3: Swing Wall Prep Part 2



It is important to assemble the frame on a flat, smooth surface.

C: Turn the (2757) LT Post Assembly and (2758) RT Post Assembly over and place 2 (2756) Siding Assemblies on top so one sits flush with the top of the middle groove and the second fits flush with the top of the bottom groove. (fig. 3.2 and 3.3)

D: Place (2630) SW Top in the top grooves, (2768) Panel Floor in the middle grooves and (2769) Panel BT Frame in the bottom grooves so they sit flush to the outside edges of (2757) LT Post Assembly and (2758) RT Post Assembly. Make sure the assembly is square then attach with 4 (S30) Wood Screws per board. (fig. 3.4).

Fig. 3.2

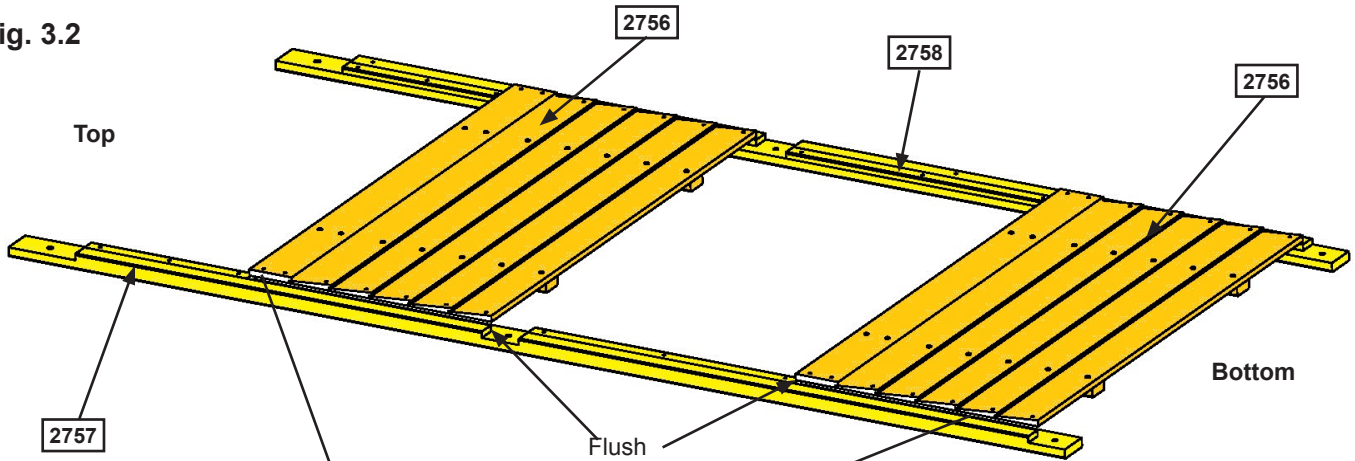
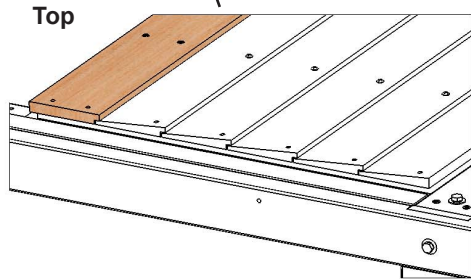
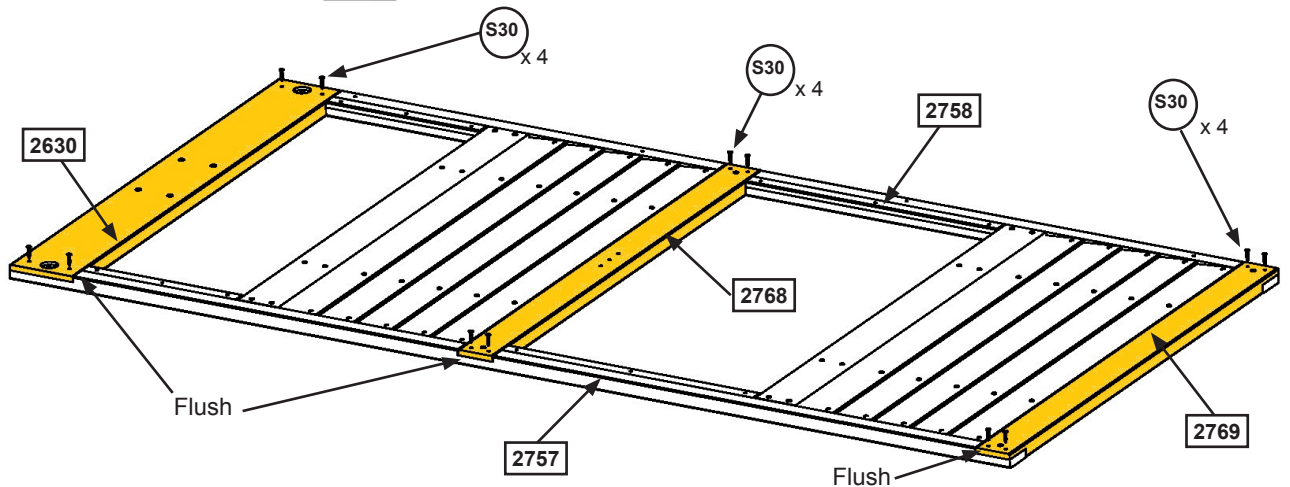


Fig. 3.3



Notice Orientation of both (2756) Siding Assemblies.

Fig. 3.4



Wood Parts

- 2 x 2756 Siding Assembly
- 1 x 2630 SW Top
- 1 x 2768 Panel Floor
- 1 x 2769 Panel BT Frame

Hardware

- 12 x S30 Wood Screw

Step 3: Swing Wall Prep Part 3



It is important to assemble the frame on a flat, smooth surface.

E: Attach (2630) SW Top to (2757) LT Post Assembly and (2758) RT Post Assembly with 2 (WB1) Wafer Bolts (with flat washer) connecting to previously installed t-nuts. (fig. 3.5 and 3.6)

F: Attach (2768) Panel Floor to (2757) LT Post Assembly and (2758) RT Post Assembly with 2 (H9) Hex Bolts (with lock washer and flat washer) connecting to previously installed t-nuts. (fig. 3.5).

G: Place 1 (2778) SW Ground MOD to each side of (2769) Panel BT Frame, notice the hole locations and attach with 1 (H10) Hex Bolt (with lock washer and flat washer) per board connecting to previously installed t-nuts. (fig. 3.5 and 3.7).

H: Place 1 (2607) Diagonal under (2778) SW Ground MOD on the right hand side so the top sits against (2758) RT Post Assembly and loosely attach with 1 (H10) Hex Bolt (with lock washer, flat washer and t-nut). (fig. 3.5 and 3.7).

Fig. 3.5

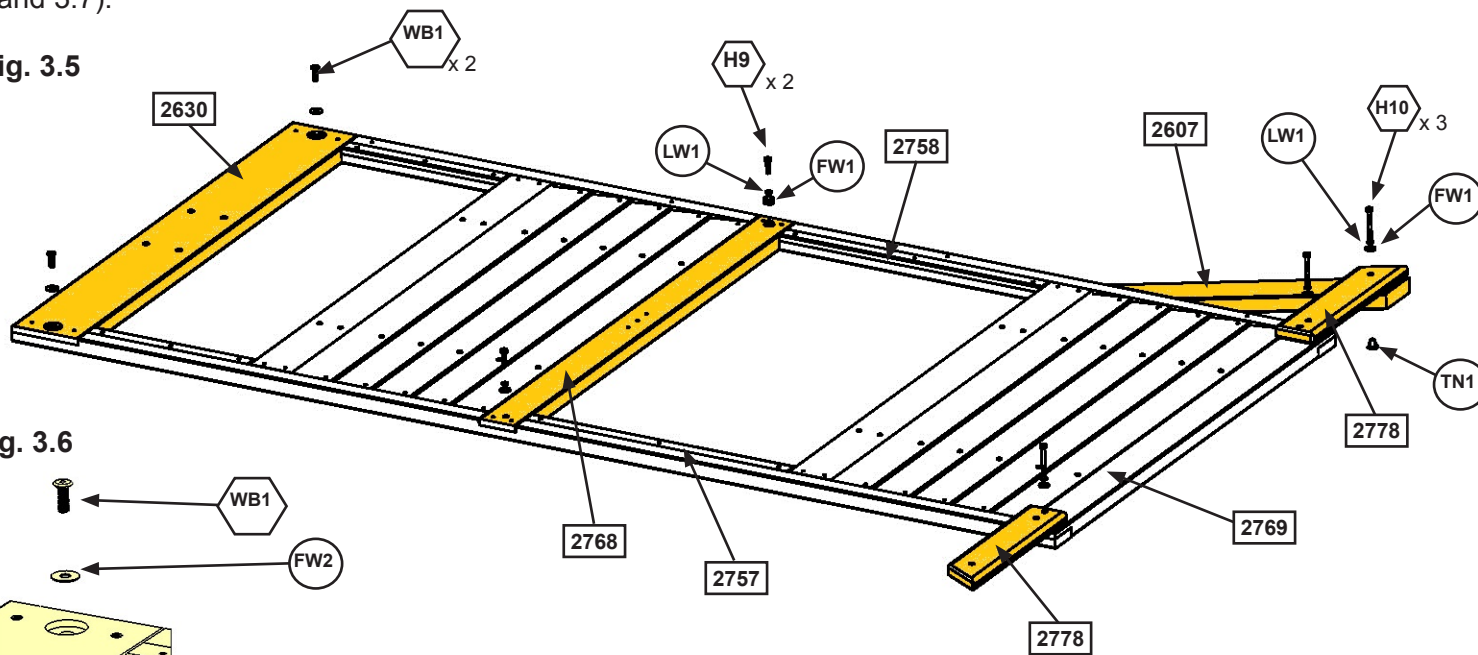


Fig. 3.6

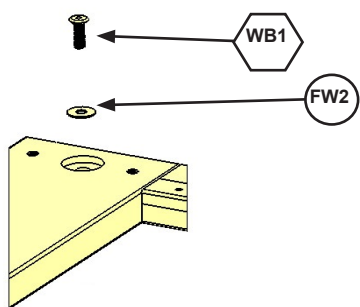
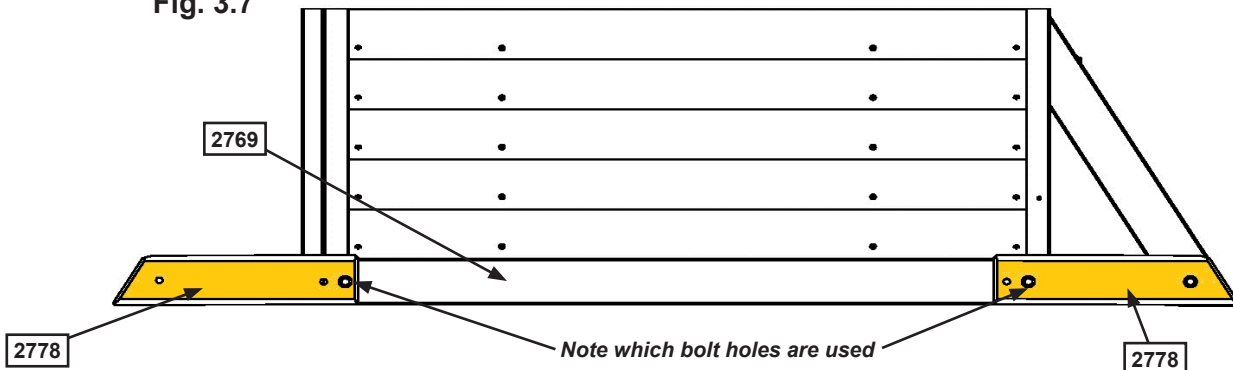


Fig. 3.7



Wood Parts

- 2 x 2778 SW Ground MOD
- 1 x 2607 Diagonal

Hardware

- 2 x WB1 Wafer Bolt (flat washer)
- 2 x H9 Hex Bolt (lock washer, flat washer)
- 3 x H10 Hex Bolt (lock washer, flat washer and 1 t-nut)

Step 3: Swing Wall Prep Part 4

It is important to assemble the frame on a flat, smooth surface.

I: Attach the top board in each (2756) Siding Assembly to (2757) LT Post Assembly and (2758) RT Post Assembly with 4 (S30) Wood Screws per board. (fig. 3.8 and 3.9)

J: Attach the remaining boards in each (2756) Siding Assembly to (2757) LT Post Assembly and (2758) RT Post Assembly with 2 (S0) Truss Screws per board. (fig. 3.8 and 3.9)

Fig. 3.8

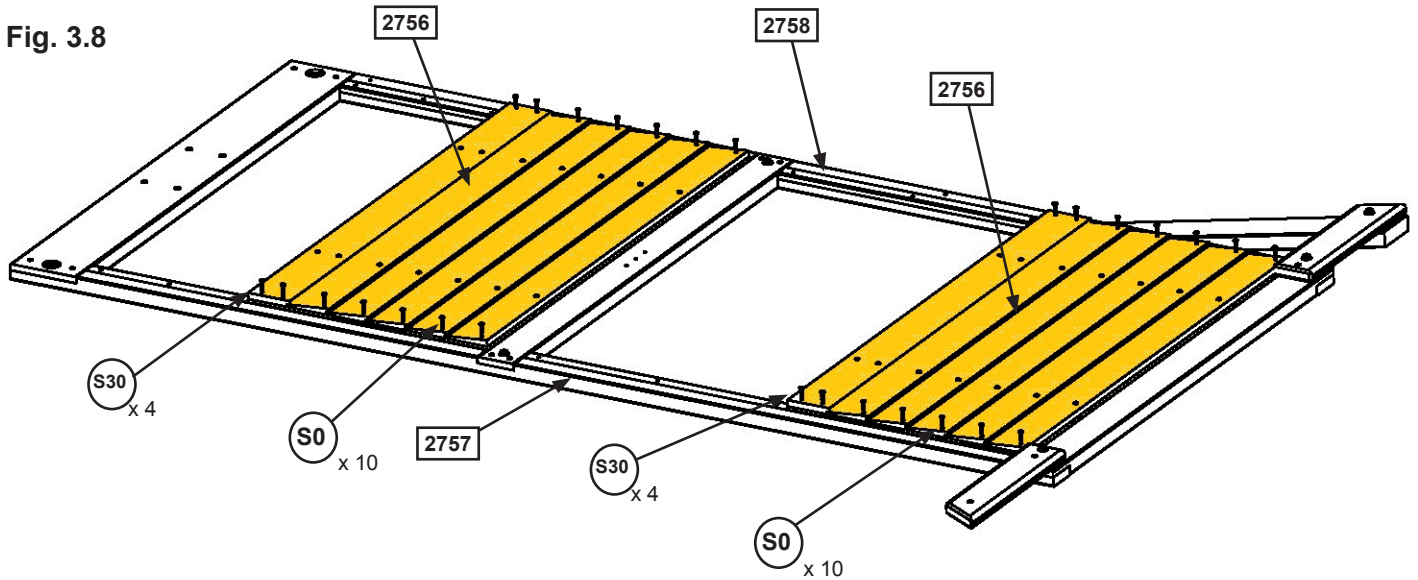
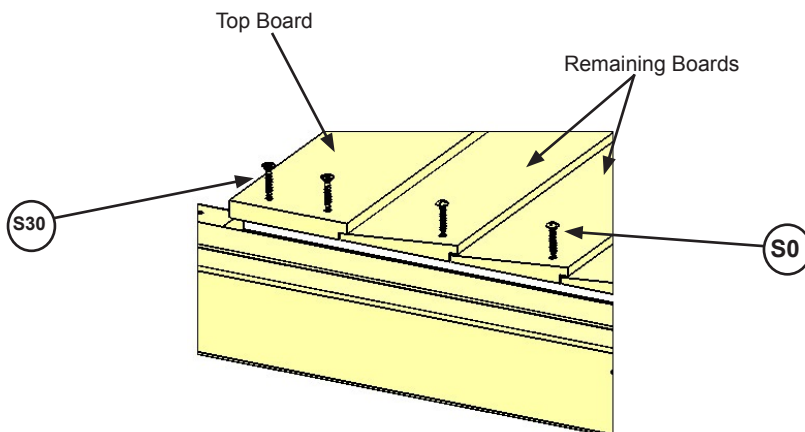


Fig. 3.9



Hardware

8 x (S30) Wood Screw

20 x (S0) Truss Screw

Step 4: Frame Assembly Part 1



It is important to assemble the frame on a flat, smooth surface.

A: Place Swing Wall from Step 3 between 2 Front and Back Walls from Step 1, noticing the wall orientations. The tops and bottoms of the walls should be flush. Make sure the walls are square then using the pilot holes as a guide pre-drill with a 3/16" (4.8 mm) drill bit and fasten the Front Wall to the Swing Wall and Swing Wall to the Back Wall with 4 (WL5) Wafer Lags per side. (fig. 4.1, 4.2 and 4.3)

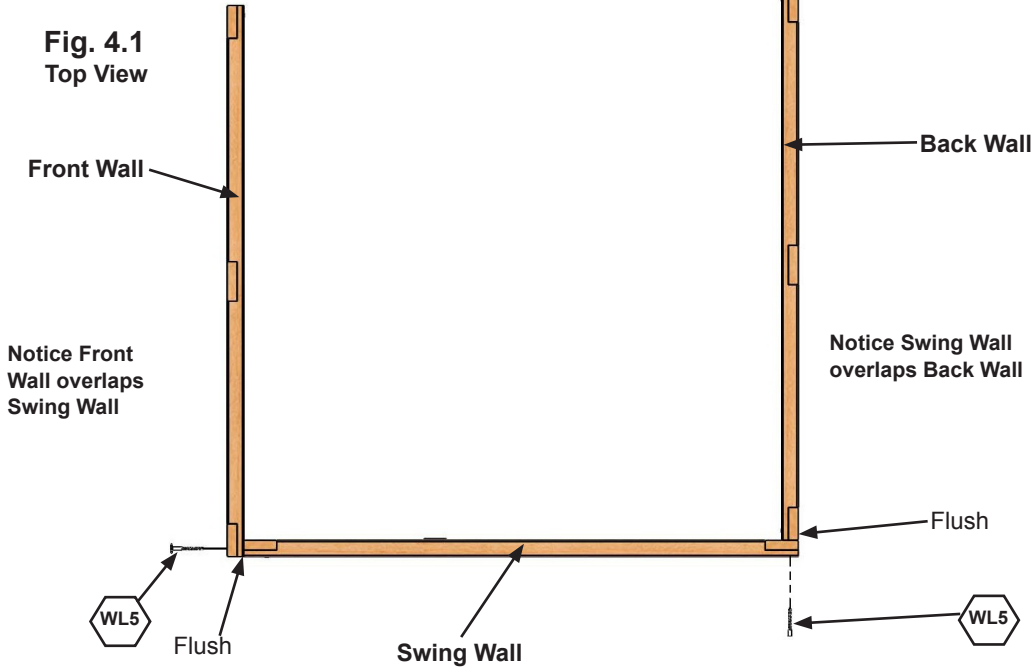
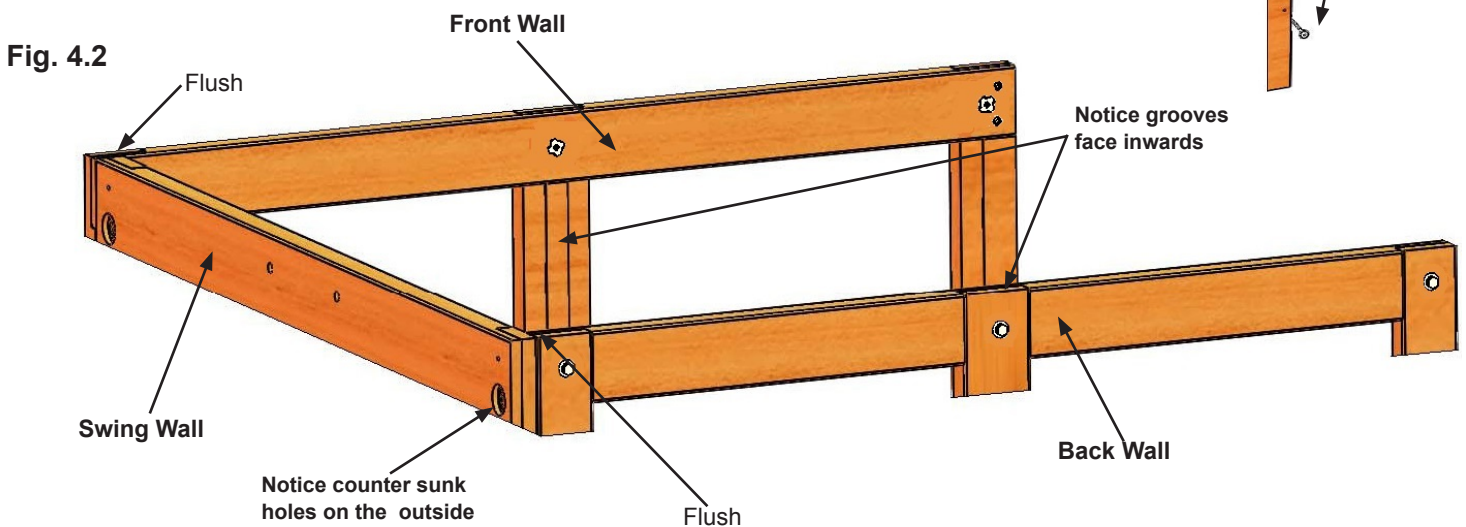
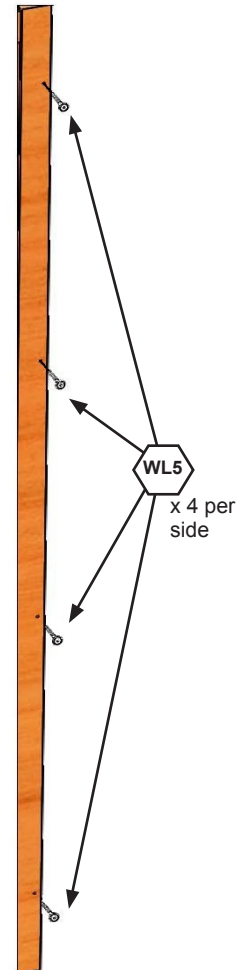



Fig. 4.3



Hardware

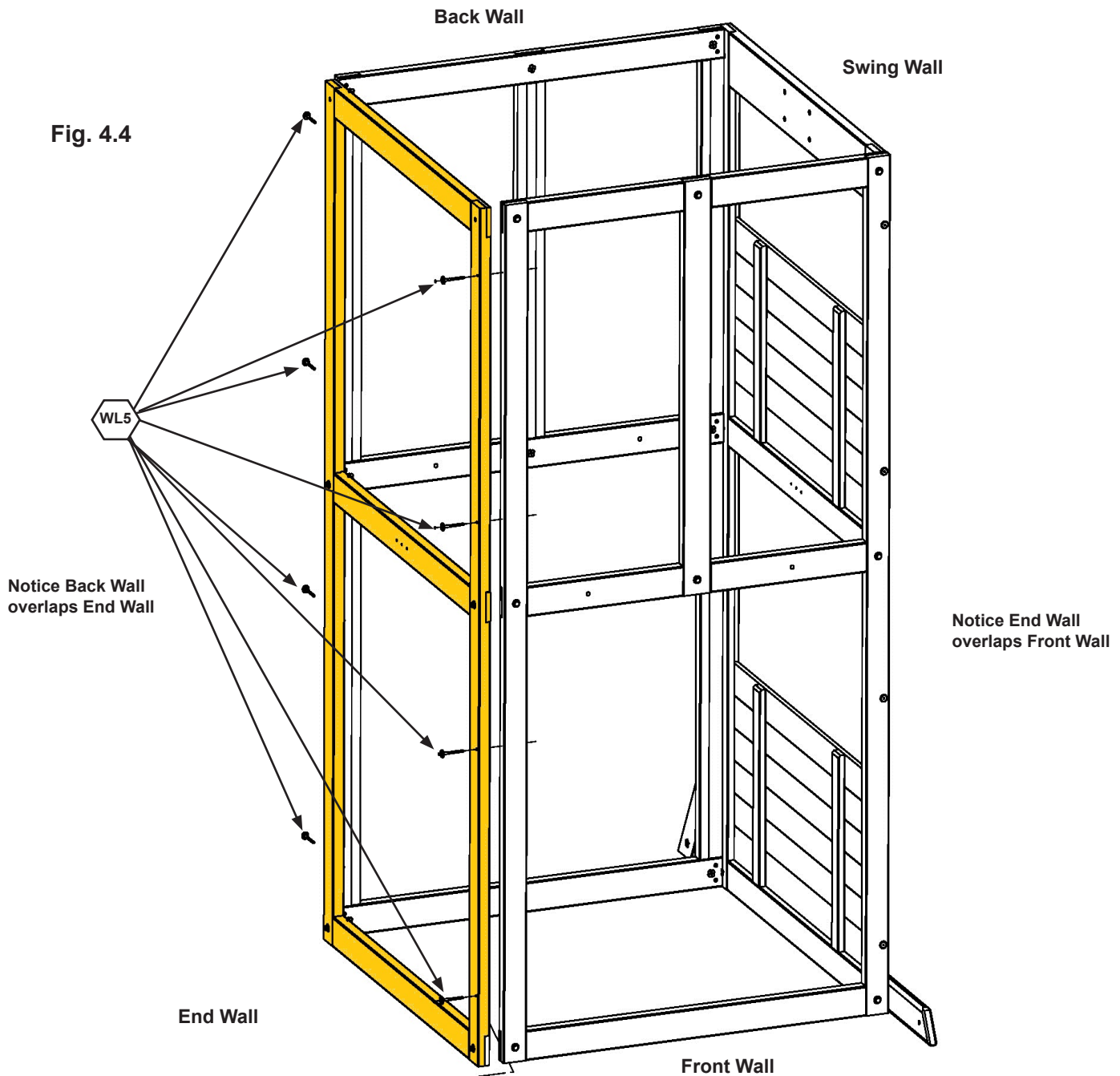
8 x  Wafer Lag

Step 4: Frame Assembly Part 2



B: Place End Wall from Step 2 between the Front Wall and Back Wall noticing the wall orientation. The tops and bottoms of the walls should be flush. Make sure the walls are square then using the pilot holes as a guide pre-drill with a 3/16" (4.8 mm) drill bit and fasten the Back Wall to the End Wall and End Wall to the Front Wall with 4 (WL5) Wafer Lags per side. (fig. 4.4)

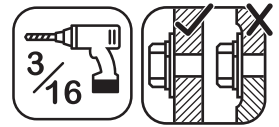
Fig. 4.4



Hardware

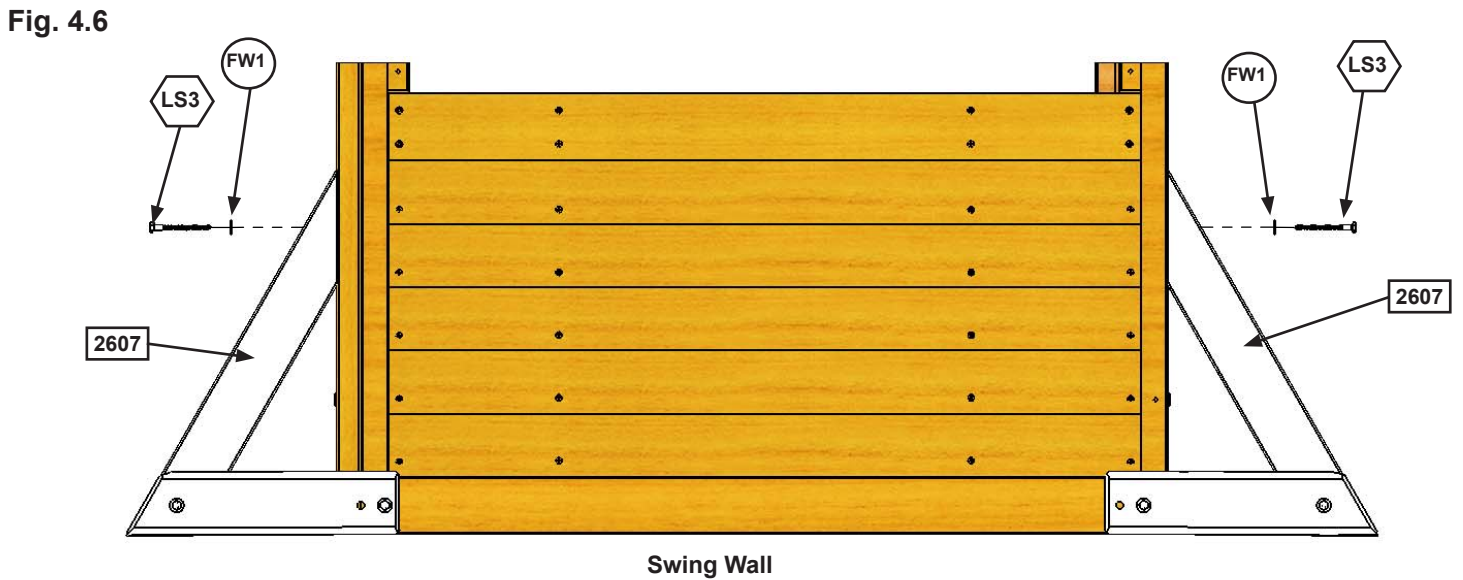
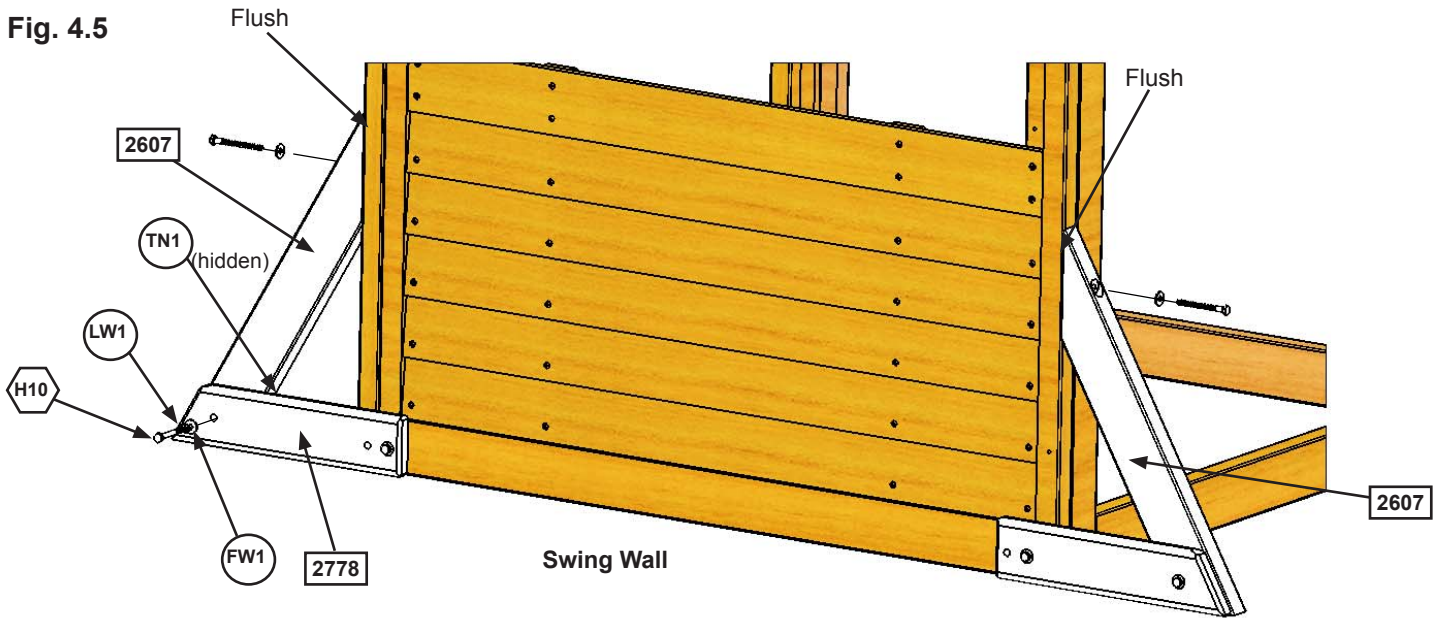
8 x  Wafer Lag

Step 4: Frame Assembly Part 3



C: Loosely attach 1 (2607) Diagonal to left (2778) SW Ground MOD with 1 (H10) Hex Bolt (with lock washer, flat washer and t-nut). (fig. 4.5)

D: Place each (2607) Diagonal tight and flush to the front of the Swing Wall then pre-drill pilot holes with a 3/16" (4.8 mm) drill bit and attach each (2607) Diagonal to the Swing Wall with 1 (LS3) Lag Screw (with flat washer) per board, checking that they remain flush to outside edge. (fig. 4.5 and 4.6)



Wood Parts

1 x **2607** Diagonal

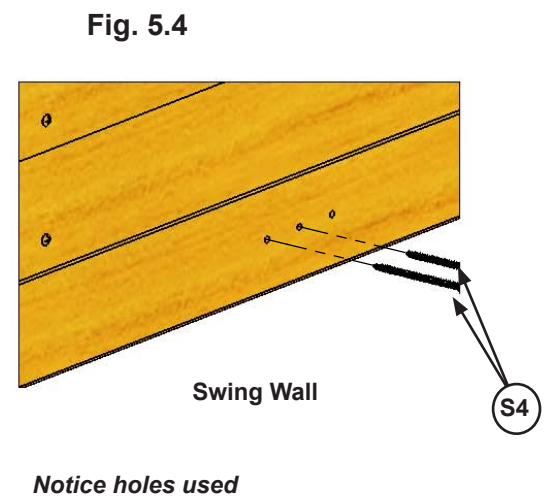
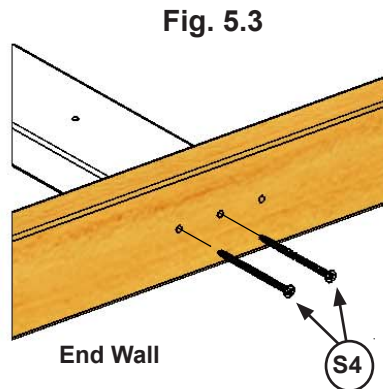
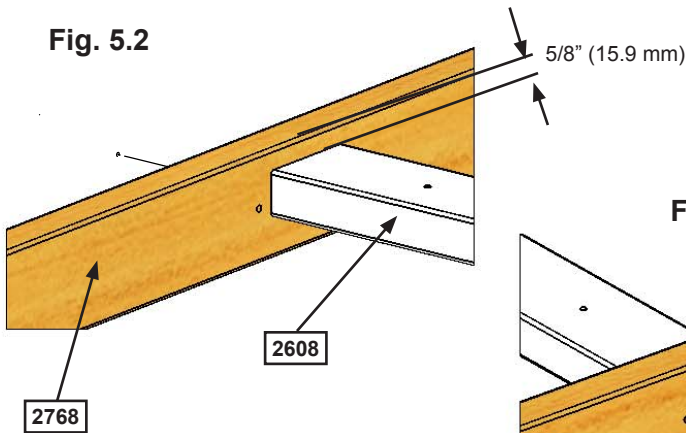
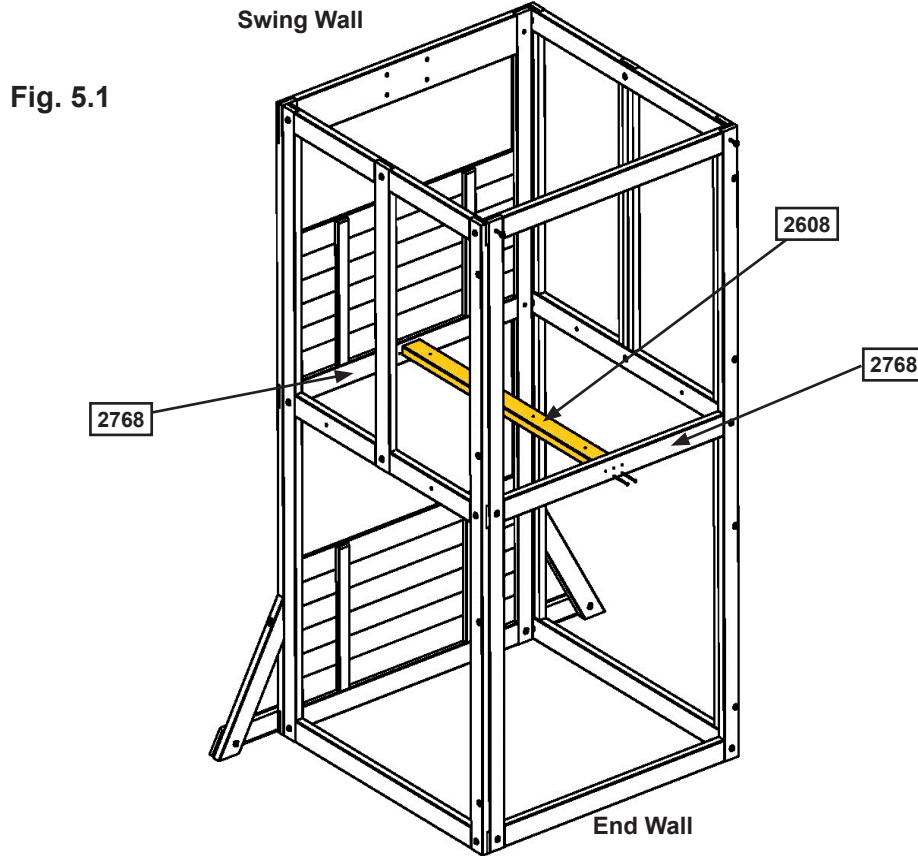
Hardware

1 x Hex Bolt (lock washer, flat washer, t-nut)
2 x Lag Screw (flat washer)

Step 5: Floor Assembly Part 1



A: From inside of the assembly centre (2608) Floor Joist over the pilot holes in both (2768) Panel Floors in the Swing and End Walls, measure 5/8" (15.9 mm) down from the top of boards then attach (2608) Floor Joist to each board using the left and centre holes with 2 (S4) Wood Screws per board. (fig.5.1, 5.2, 5.3 and 5.4)



Wood Parts

1 x 2608 Floor Joist

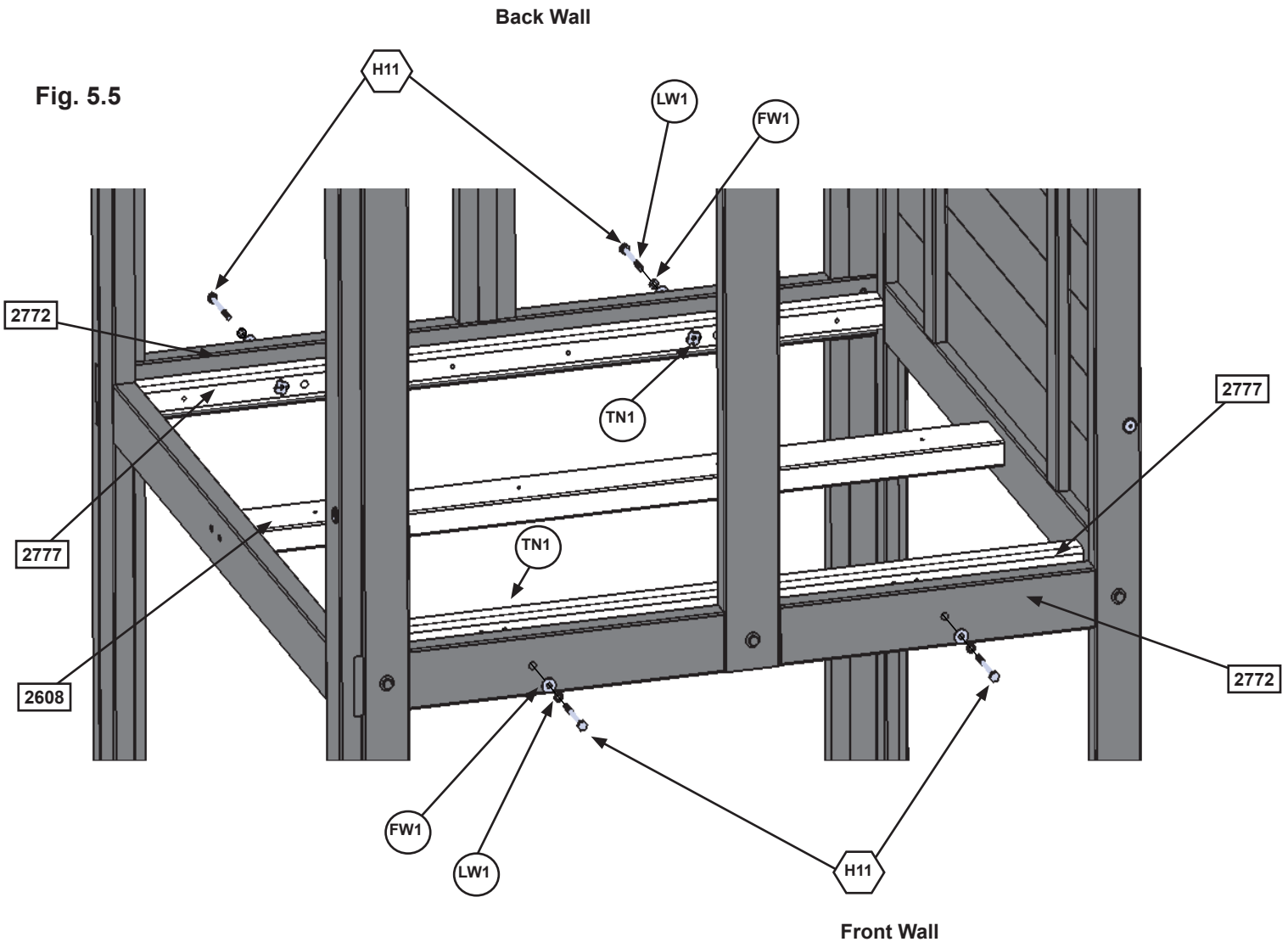
Hardware

4 x S4 Wood Screw

Step 5: Floor Assembly Part 2



B: On the inside of both the Front and Back Walls loosely attach 1 (2777) Side Joist MOD to each (2772) Panel Floor Support with 2 (H11) Hex Bolts (with lock washer, flat washer and t-nut) as shown in fig. 5.5. Make sure both (2777) Side Joist MODs are level with (2608) Floor Joist.



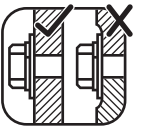
Wood Parts

2 x 2777 Side Joist MOD

Hardware

4 x H11 Hex Bolt
(lock washer, flat washer, t-nut)

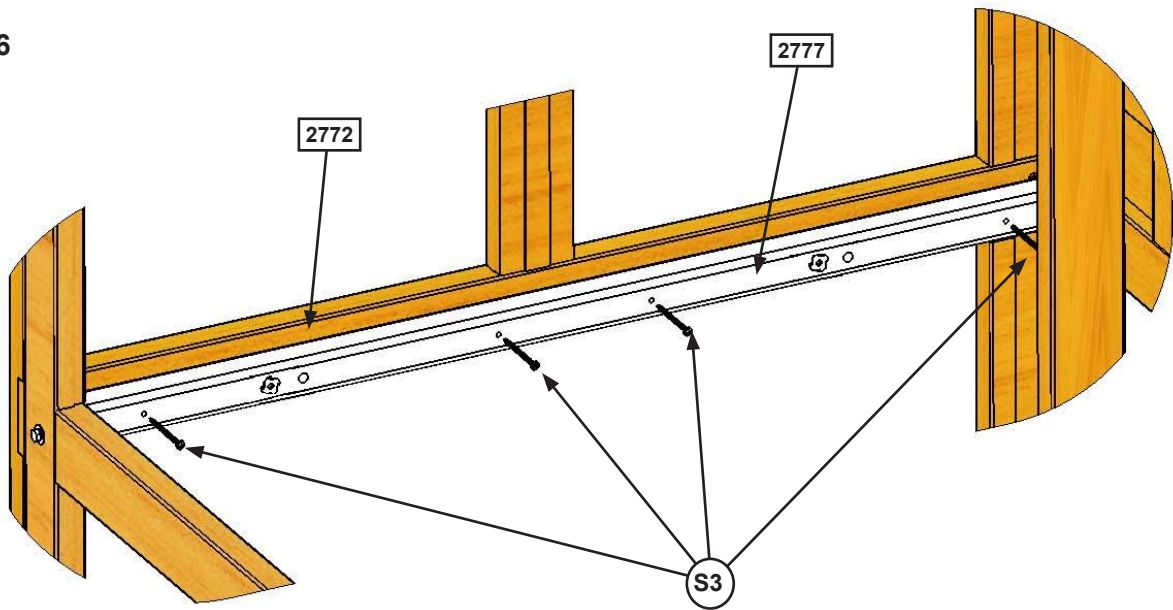
Step 5: Floor Assembly Part 3



C: Fasten each (2777) Side Joist MOD to each (2772) Panel Floor Support with 4 (S3) Wood Screws per board as shown in fig. 5.6.

D: Tighten all (H11) Hex Bolts in both (2777) Side Joist MOD.

Fig. 5.6



Hardware

8 x  Wood Screw

Step 5: Floor Assembly Part 4

E: Starting at the Swing Wall place (2648) Floor Board followed by 8 (2609) Floor Boards. Make sure all boards are evenly spaced then attach to (2608) Floor Joist and each (2777) Side Joist MOD with 5 (S20) Wood Screws per board. (fig. 5.7 and 5.8)

Fig. 5.7

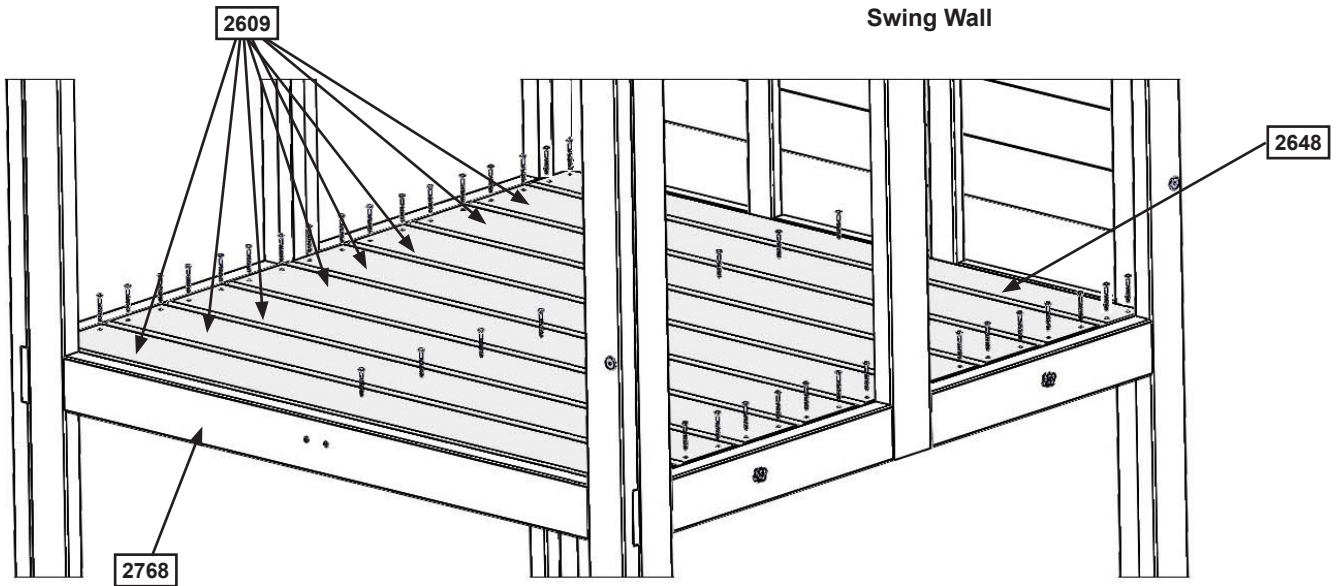
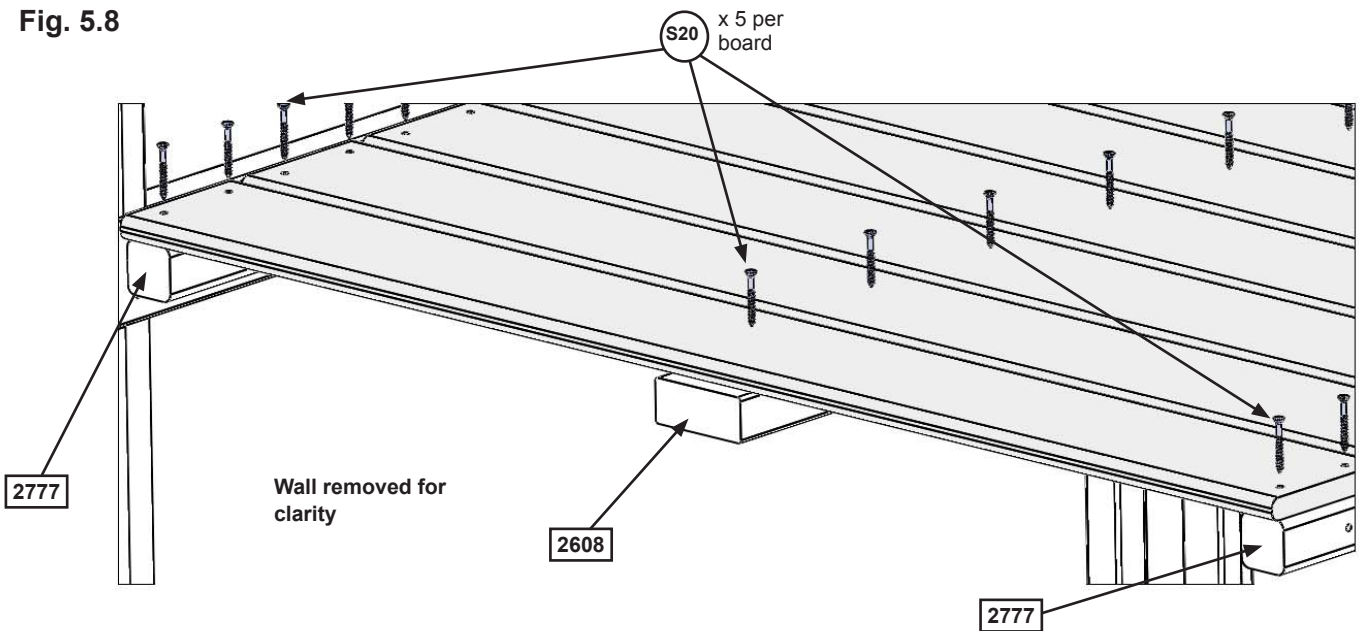


Fig. 5.8

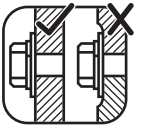


Wood Parts

- 1 x 2648 Floor Board
- 8 x 2609 Floor Board

Hardware

- 45 x S20 Wood Screw



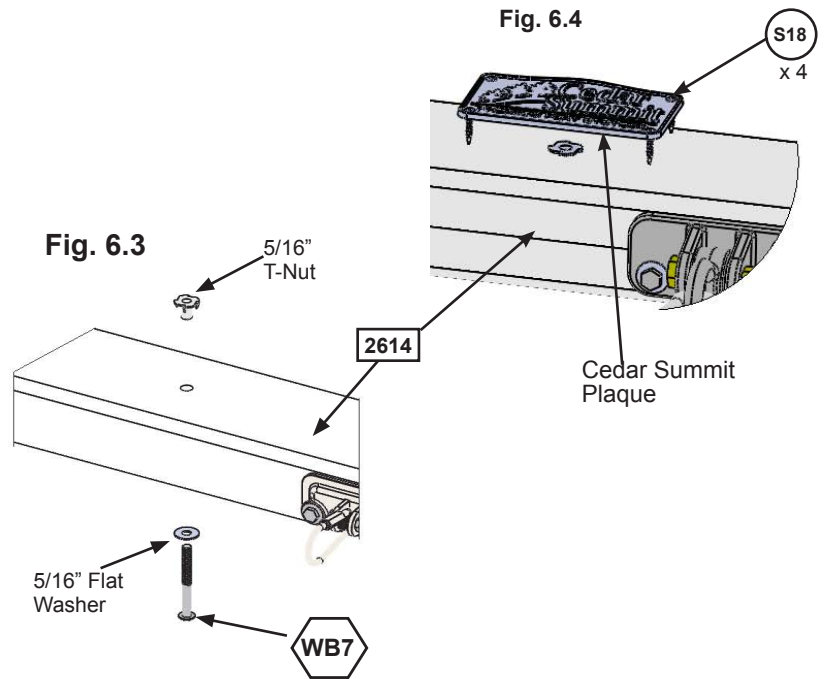
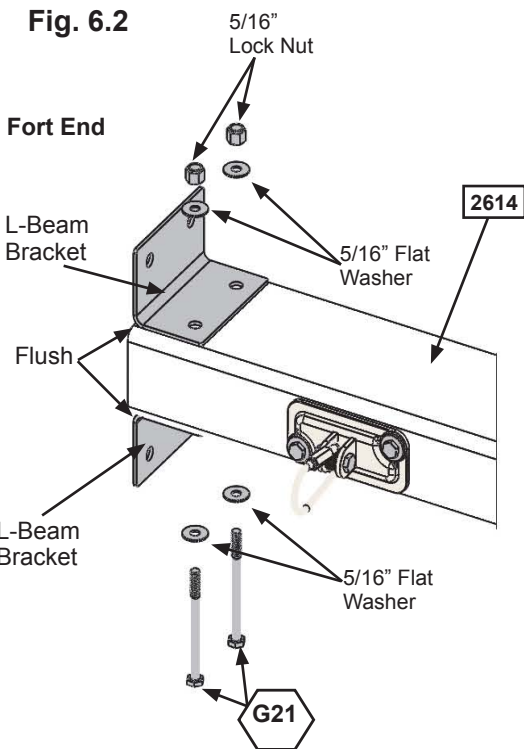
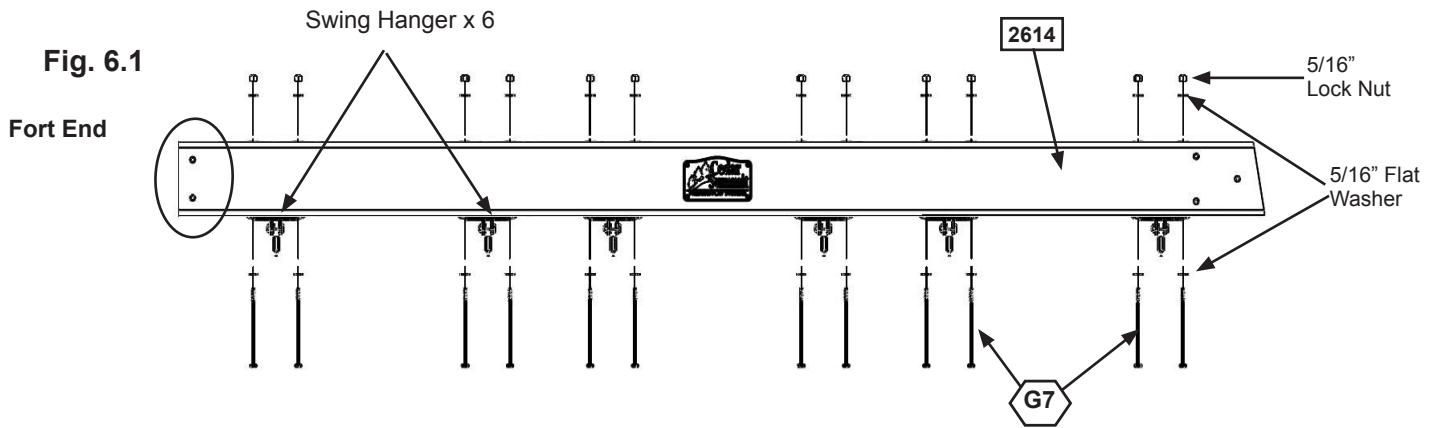
Step 6: Swing Beam Assembly

A: Attach 6 Swing Hangers to (2614) Engineered Beam using 2 (G7) Hex Bolts (with 2 flat washers and 1 lock nut) per Swing Hanger, as shown in fig. 6.1.

B: Flush to the Fort End of (2614) Engineered Beam attach 2 L-Beam Brackets with 2 (G21) Hex Bolts (with 2 flat washers and 1 lock nut). (fig. 6.2)

C: Install 1 (WB7) Wafer Bolt (with flat washer and t-nut) in the middle bolt hole in (2614) Engineered Beam as shown in fig. 6.3. **IT IS IMPORTANT THAT THIS BOLT IS ATTACHED. IT WILL MINIMIZE CHECKING OF WOOD.**

D: Attach Cedar Summit by KK Plaque to centre of (2614) Engineered Beam (over top of t-nut) using 4 (S18) #6 x 1" Wood Screws. (fig. 6.4)



Wood Parts

1 x 2614 Engineered Beam 4 x 6 x 88"

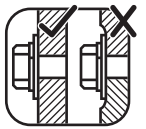
Hardware

- 12 x G7 Hex Bolt (5/16" flat washer x 2, 5/16" lock nut)
- 2 x G21 Hex Bolt (5/16" flat washer x 2, 5/16" lock nut)
- 1 x WB7 Wafer Bolt (5/16" flat washer & 5/16" t-nut)
- 4 x S18 #6 x 1" Wood Screw

Other Parts

- 6 x Swing Hangers
- 2 x L-Beam Bracket
- 1 x Cedar Summit by KK Plaque

Step 7: Swing End Assembly

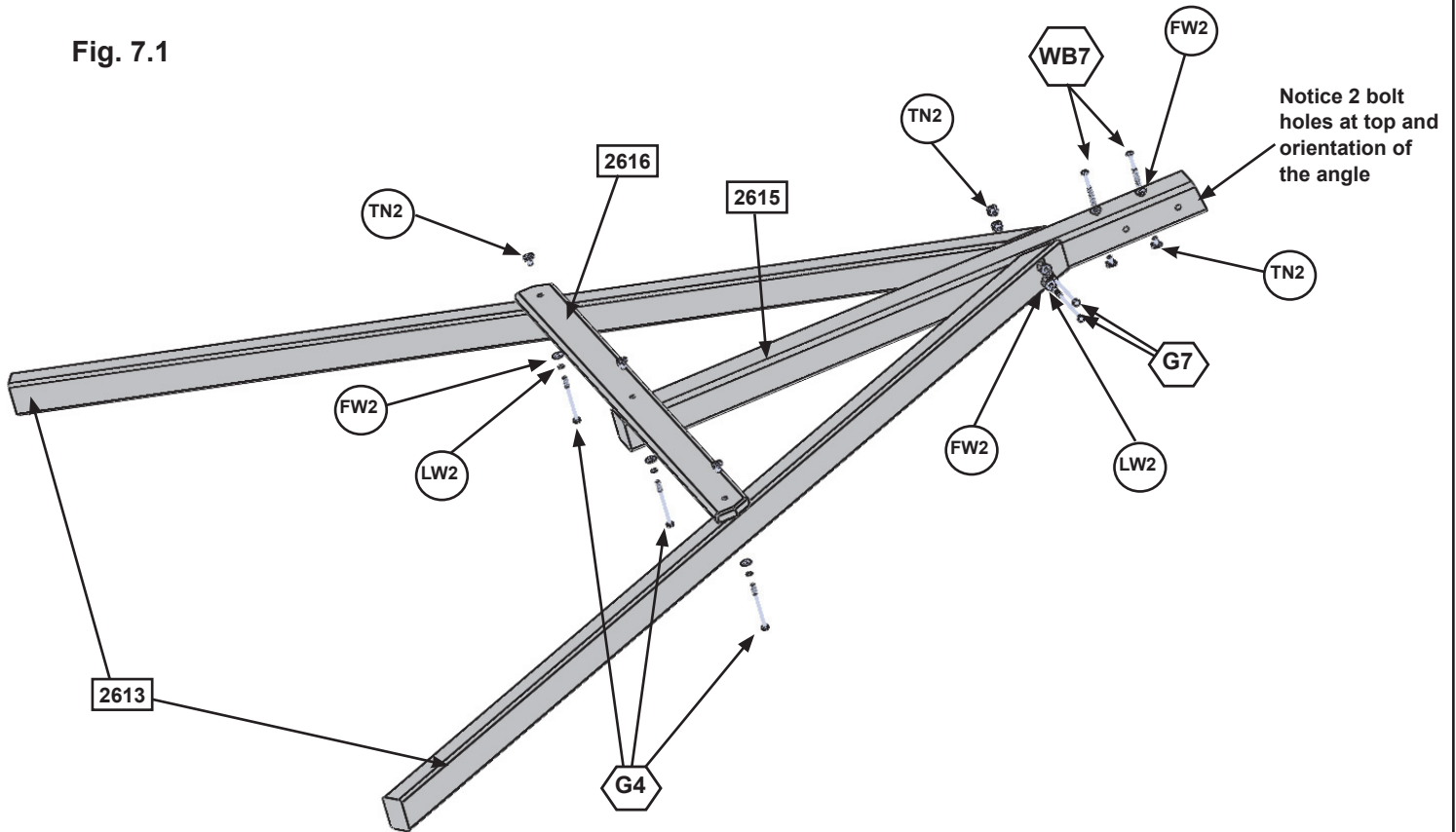


A: Loosely attach 2 (2613) Heavy SW Posts to (2615) SW Upright using 2 (G7) Hex Bolts (with lock washer, flat washer and t-nut). Notice 2 bolt holes at top of (2615) SW Upright and orientation of angle. (fig. 7.1)

B: Attach (2616) SW Support to both (2613) Heavy SW Posts and (2615) SW Upright using 3 (G4) Hex Bolts (with lock washer, flat washer and t-nut). Tighten all bolts (fig. 7.1)

C: Install 2 (WB7) Wafer Bolts (with flat washer and t-nut) in the top bolt holes in (2615) SW Upright as shown in fig. 7.1. **IT IS IMPORTANT THAT THESE BOLTS ARE ATTACHED. THEY WILL MINIMIZE CHECKING OF WOOD.**

Fig. 7.1



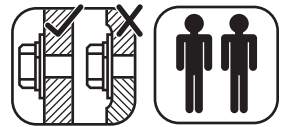
Wood Parts

- 2 x 2613 Heavy SW Post
- 1 x 2615 SW Upright
- 1 x 2616 SW Support

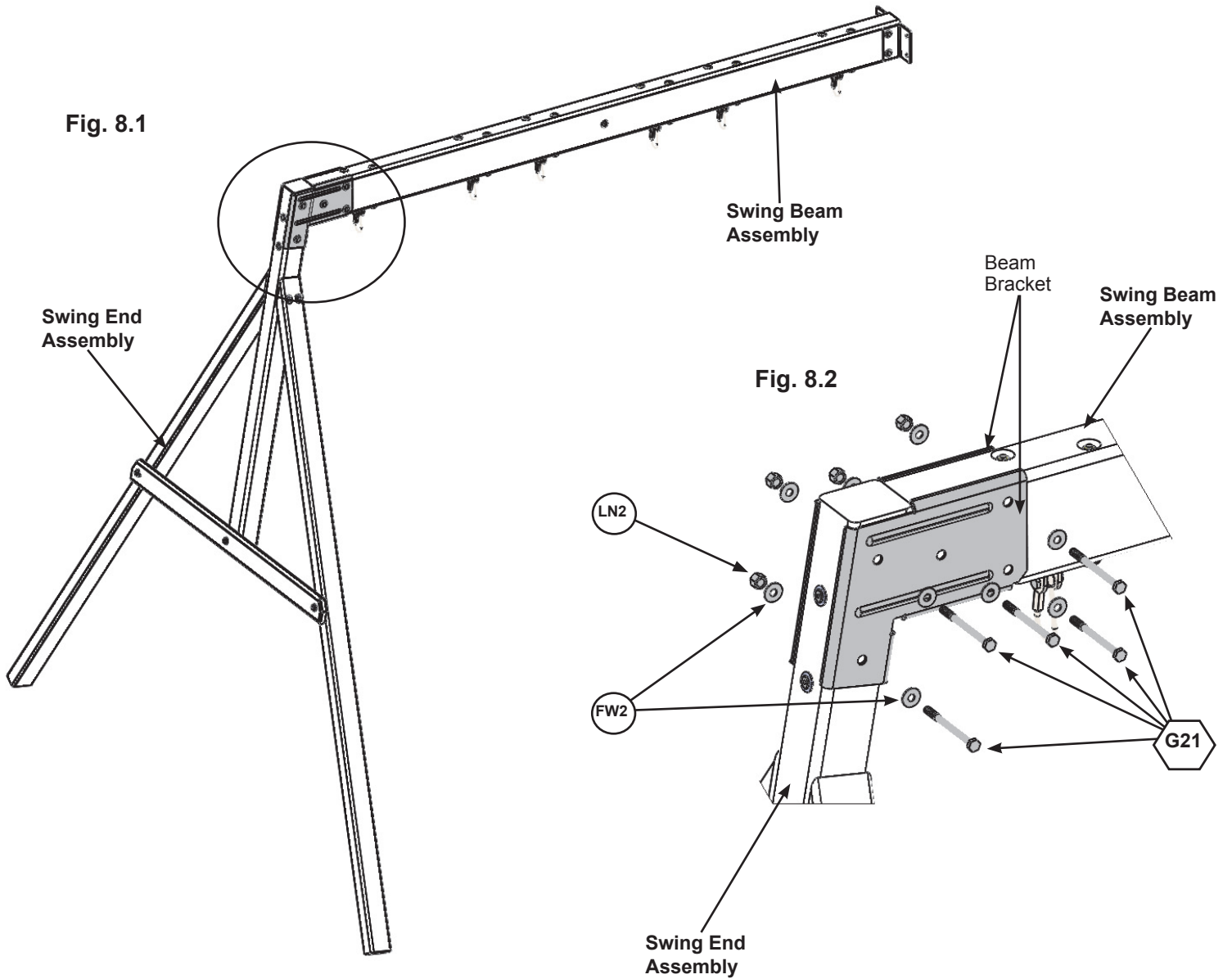
Hardware

- 2 x G7 Hex Bolt (lock washer, flat washer, t-nut)
- 3 x G4 Hex Bolt (lock washer, flat washer, t-nut)
- 2 x WB7 Wafer Bolt (flat washer & t-nut)

Step 8: Attach Swing End to Swing Beam



A: Place Swing End Assembly against Swing Beam Assembly then place 1 Beam Bracket on each side of the assembly (they are specific for left and right side) and attach with 5 (G21) Hex Bolts (with 2 flat washers and 1 lock nut). (fig. 8.1 and 8.2)



Hardware

5 x Hex Bolt
(flat washer x 2, lock nut)

Other Parts

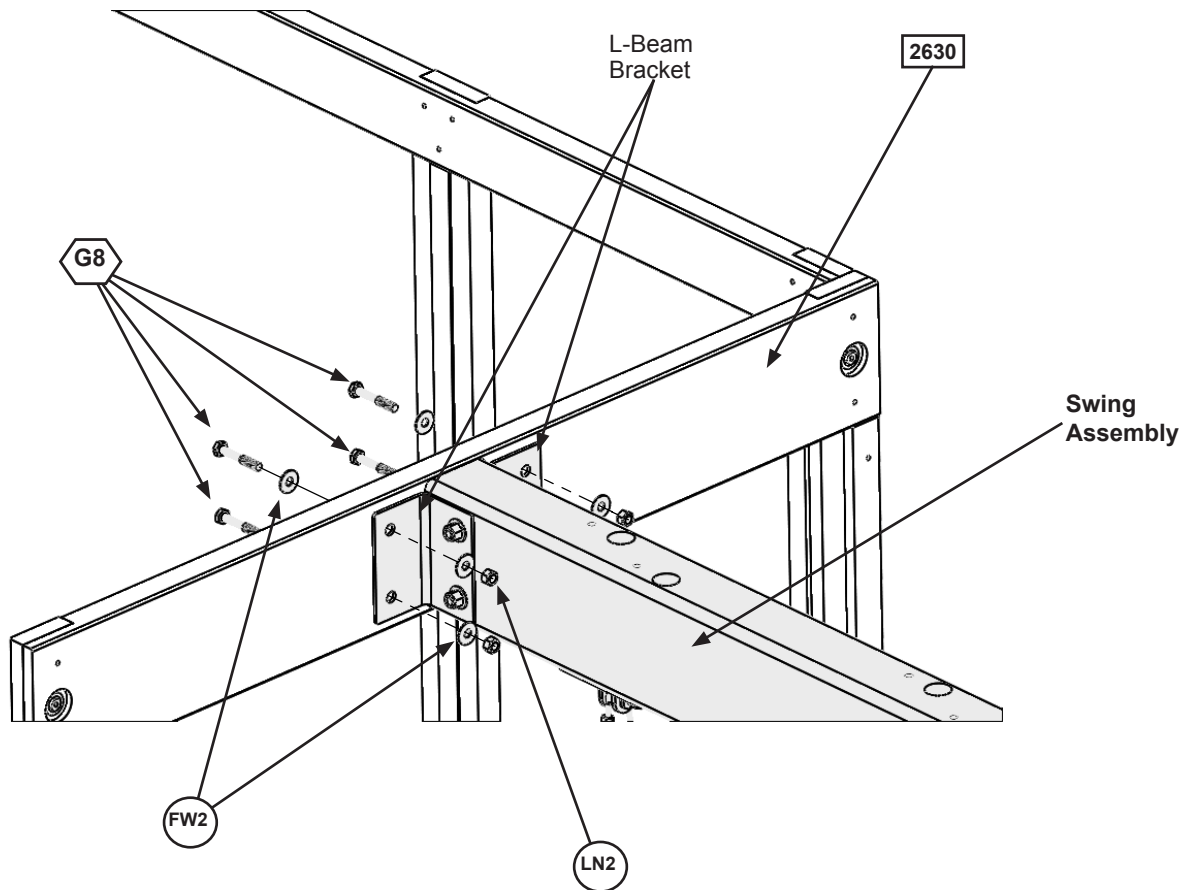
2 x Beam Bracket (Left/Right)

Step 9: Attach Swing Assembly To Fort



A: Place Swing Assembly against top of (2630) SW Top, make sure assembly is level then attach from inside the fort assembly into each L-Beam Bracket with 4 (G8) Hex Bolts (with 2 flat washers and 1 lock nut). (fig. 9.1)

Fig. 9.1



Hardware

4 x  Hex Bolt
(flat washer x 2, lock nut)

Step 10: Install Ground Stakes

MOVE FORT TO FINAL LOCATION PRIOR TO STAKING **FINAL LOCATION MUST BE LEVEL GROUND**

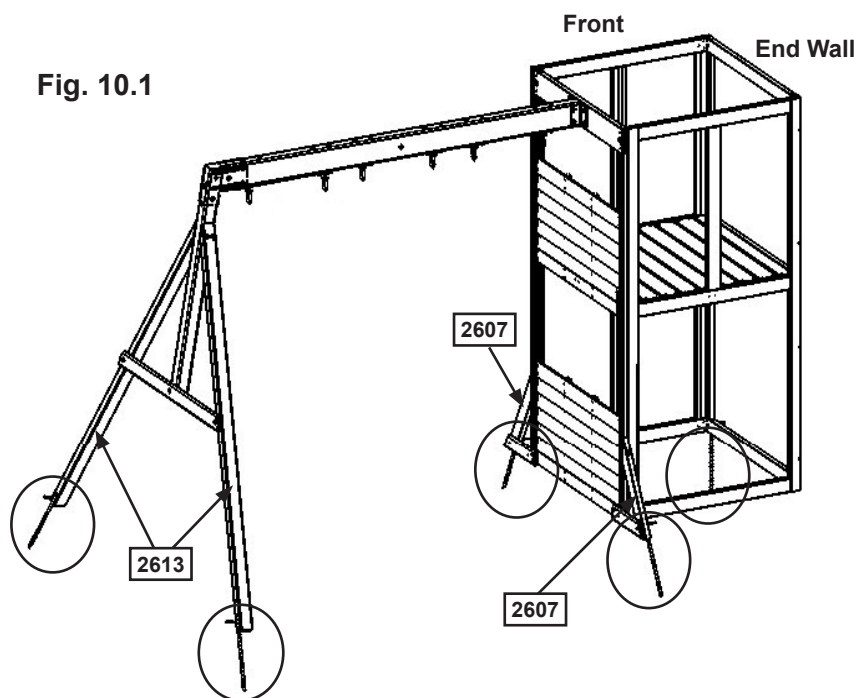
A: In the 5 places shown in fig. 10.1 drive the Rebar Ground Stakes 13" (330 mm) into the ground against outside front corner of the End Wall, on both (2607) Diagonals and both (2613) Heavy SW Posts. Be careful not to hit the washer while hammering stakes into the ground as this could cause the washer to break off.

B: Attach ground stakes using 1 (S7) Pan Screw per ground stake (fig. 10.2 and 10.3).

C: After driving stakes into the ground, check for sharp edges caused by the impact of the hammer. Smooth any sharp edges from impact area and touch up with outdoor paint.

⚠ Warning! To prevent tipping and avoid potential injury, stakes must be driven 13" (330 mm) into ground. Digging or driving stakes can be dangerous if you do not check first for under-ground wiring, cables or gas lines.

Fig. 10.1



**SEE FRONT COVER
FOR SAFETY CLEARANCE**

Fig. 10.2

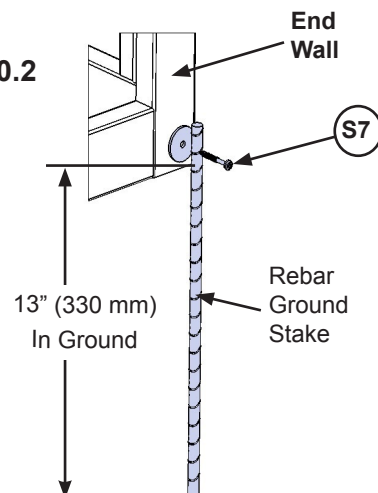
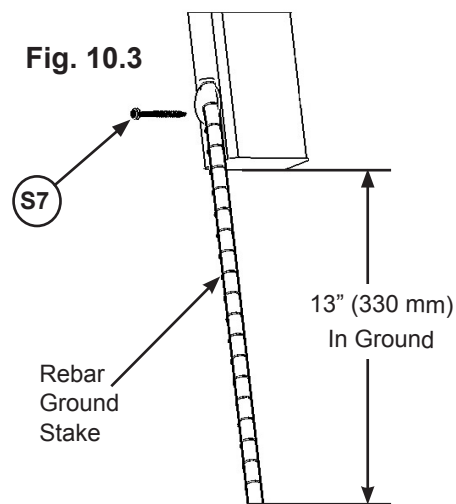


Fig. 10.3



Hardware

5 x (S7) Pan Screw

Other Parts

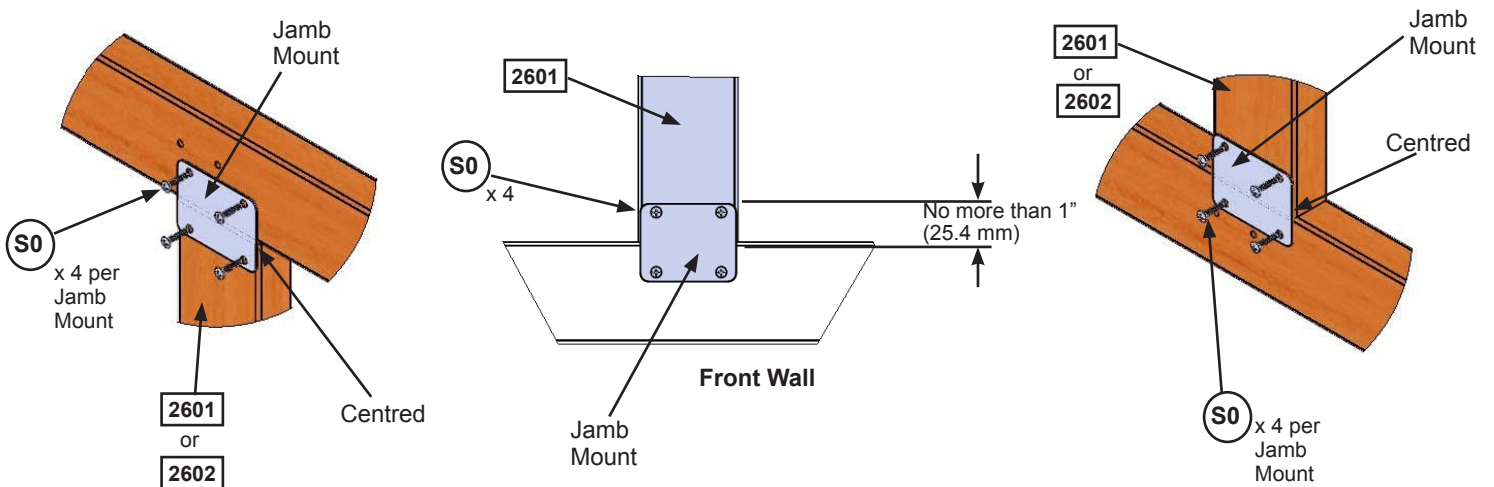
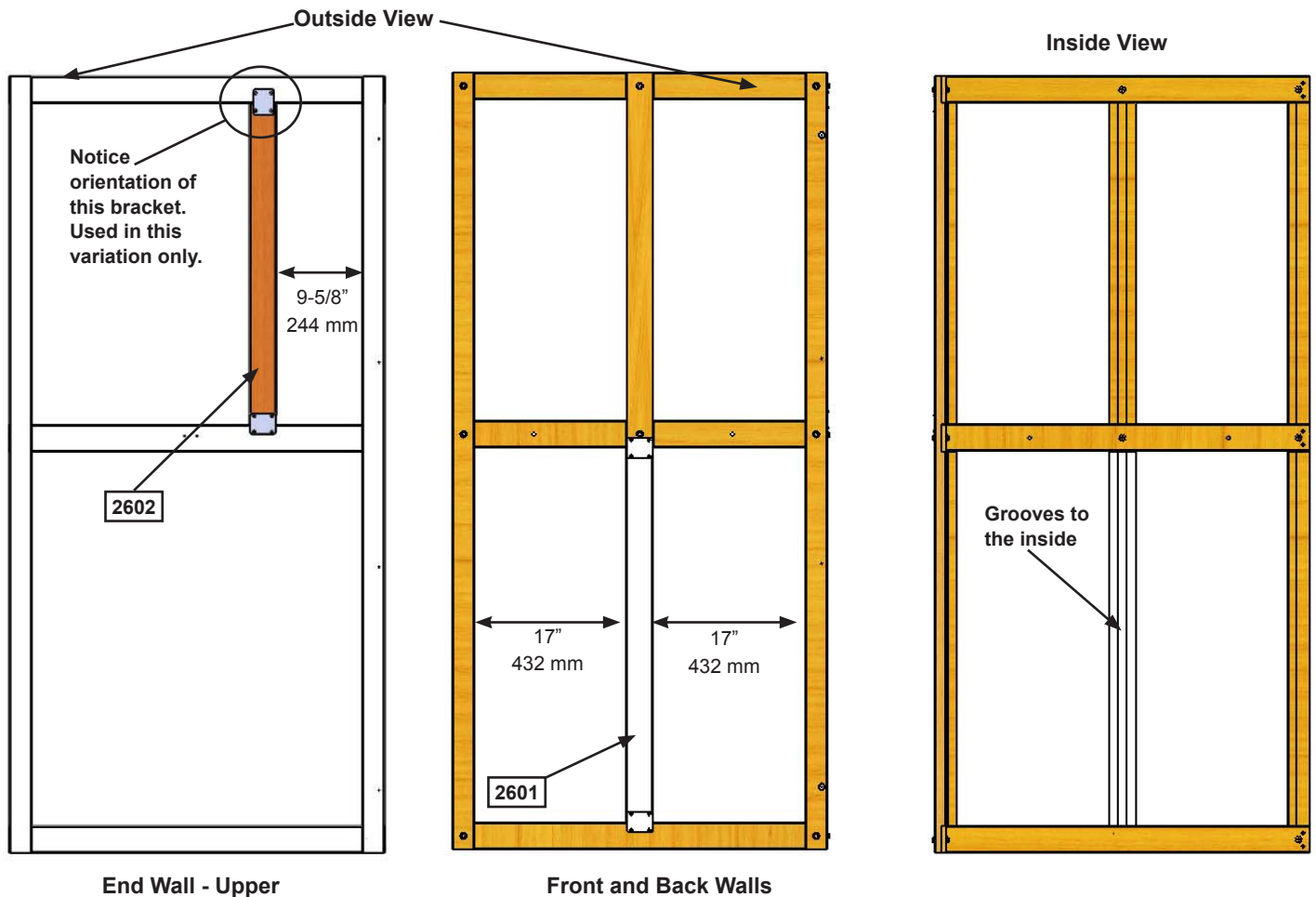
5 x Rebar Ground Stake

Step 11: How to Install Inserts - Upper and Lower Jambs



There is 2 (2601) Lower Jamb and 1 (2602) Upper Jamb provided. Install the (2601) Lower Jamb on the Front and Back Walls and the (2602) Upper Jamb on the End Wall using 2 Jamb Mounts and 8 (S0) Truss Screws per board.

Use the diagrams below to show correct placement of each board.



Wood Parts

- 2 x 2601 Lower Jamb
- 1 x 2602 Upper Jamb

Hardware

- 24 x S0 Truss Screw

Other Parts

- 6 x Jamb Mount

Step 12: How to Install Inserts - Window and Wall Inserts

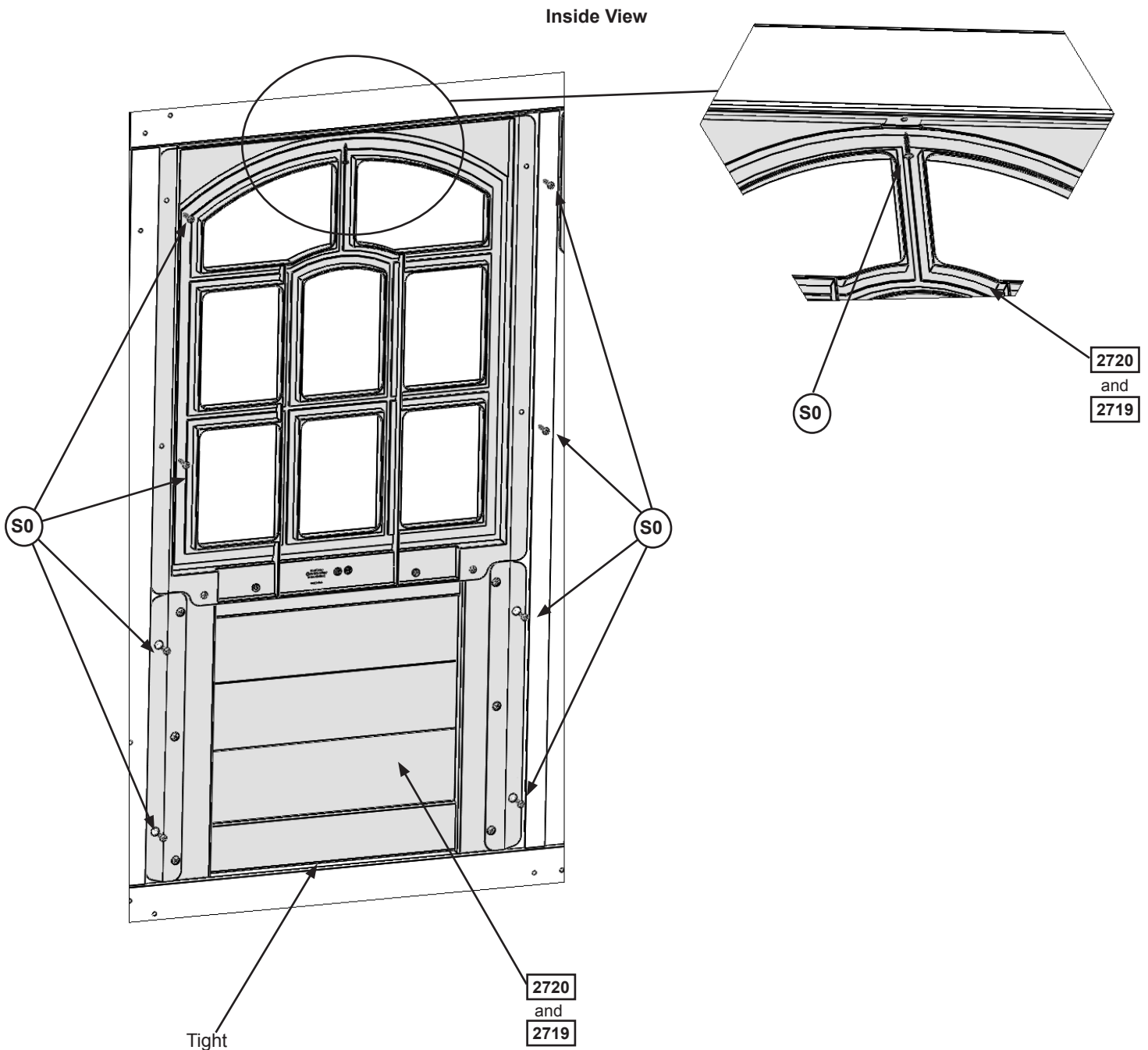
Part 1

There are 2 (2720) Lower Window Insert, 2 (2719) Upper Window Inserts, 1 (2665) Half Wall Insert, 1 (649A) Short Half Walls and 2 MOD 3-Pane Transoms provided. Use the Fort Guide to see where each insert is installed.

When installing you will need the following:

For (2720) Lower Window Inserts and (2719) Upper Window Insert - 9 x (S0) Truss Screws per insert.

For (2665) Half Wall Insert, (649A) Short Half Walls and MOD 3-Pane Transoms - 4 x (S0) Truss Screws per insert.



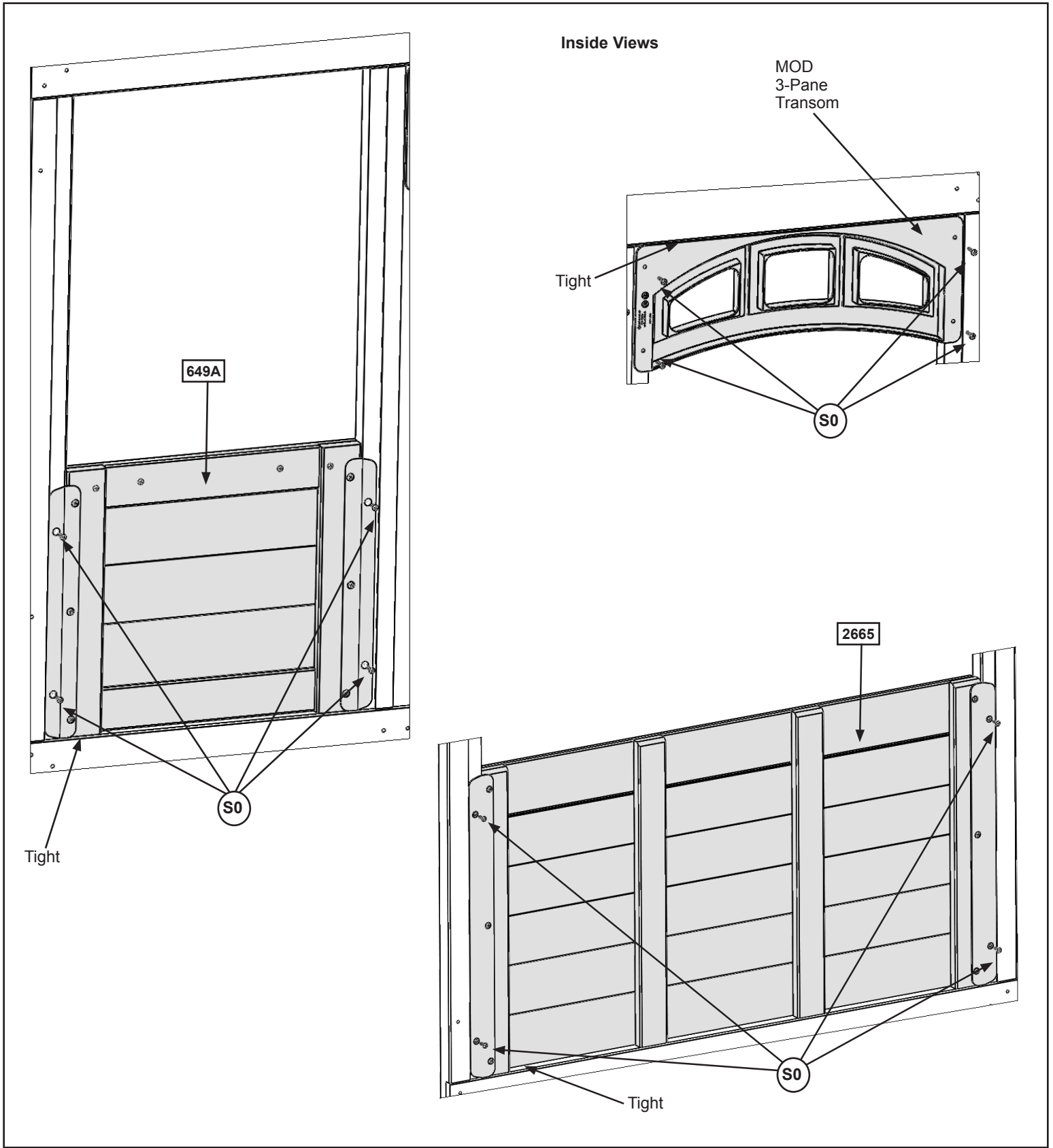
Wood Parts

- 2 x 2719 Upper Window Insert
- 2 x 2720 Lower Window Insert

Hardware

- 36 x S0 Truss Screw

Step 12: How to Install Inserts - Window and Wall Inserts Part 2



Wood Parts

- 1 x **2665** Half Wall Insert
- 1 x **649A** Short Half Wall

Hardware

- 16 x **S0** Truss Screw

Other Parts

- 1 x 3 Pane Modular Transom Window (2pk)

Step 13: How to Install Inserts - Clock Assembly



There is 1 Clock Set provided to be installed on the Front Wall. See Fort Guide for correct location. See below for how to assemble and attach the Clock Set.

When installing you will need the following:

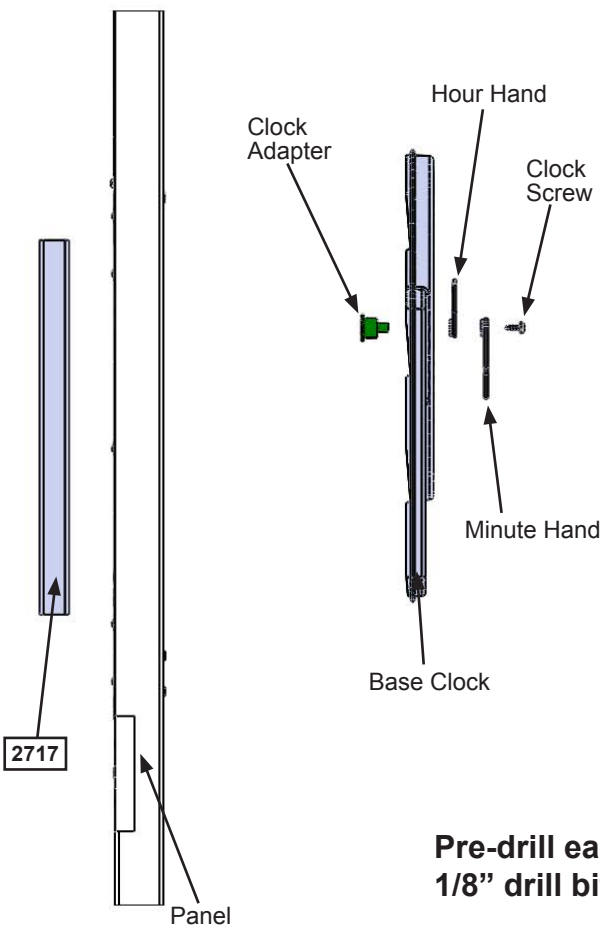
Base Clock, Clock Subset (includes minute and hour hands, clock adapter and clock screw), 2 (2717) Clock Blocks and 4 x (S20) Wood Screws.

To assemble Clock insert the Clock Adapter from the back of the Base Clock, place the Hour Hand over the Clock Adapter making sure they are lined up properly. Press the Minute Hand over the Hour Hand and connect with Clock Screw.

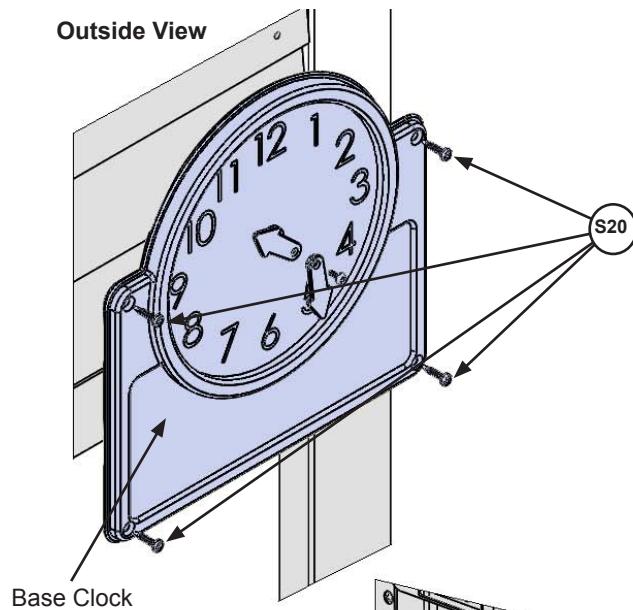
Attach assembled Clock through panel and into each (2717) Clock Block with 4 (S20) Wood Screws.

Do not over tighten screws.

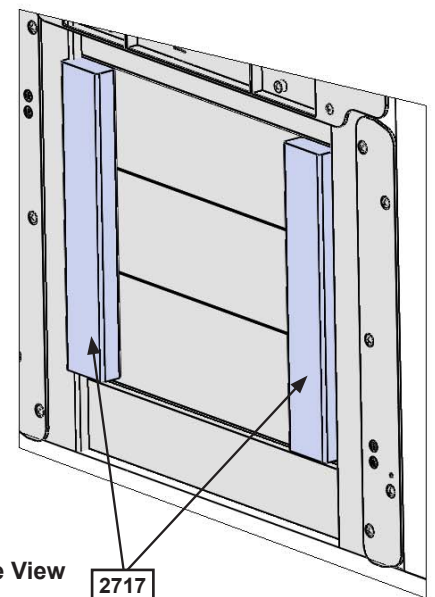
Side View



Outside View



Inside View



Pre-drill each hole using a 1/8" drill bit.

Wood Parts

2 x 2717 Clock Block

Hardware

4 x S20 Wood Screw

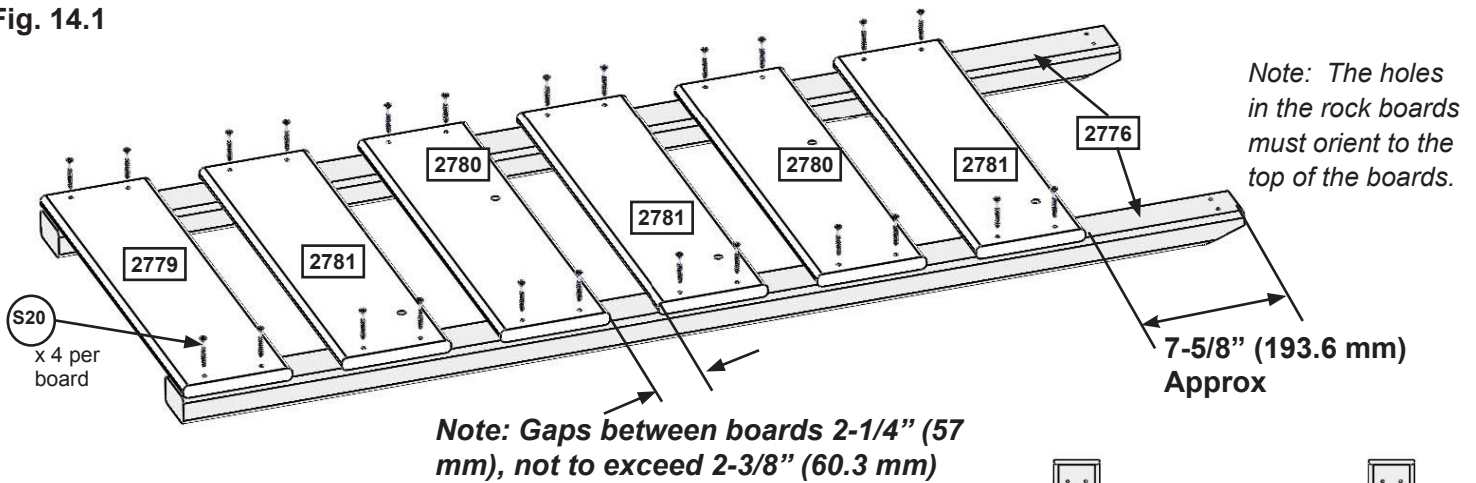
Other Parts

1 x Base Clock
1 x Clock Subset

Step 14: Rock Wall Assembly

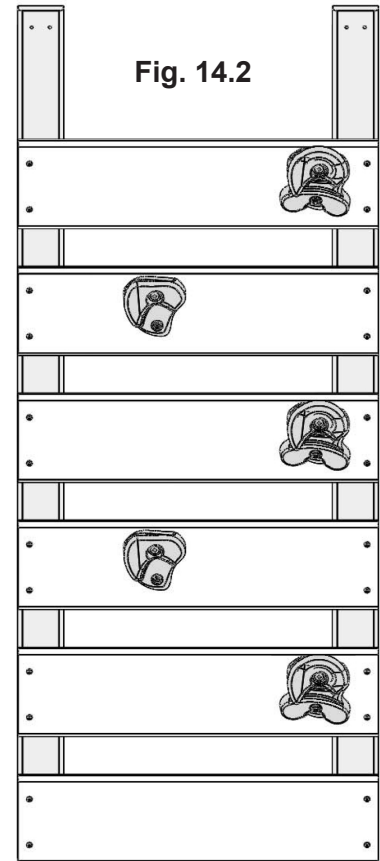


Fig. 14.1

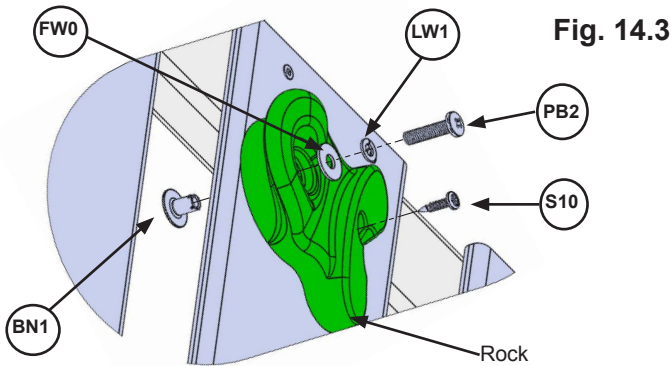


- A:** Lay 2 (2776) Rock Rails down, side by side with angled edges facing down. (fig. 14.1)
- B:** Place (2779) Access Board on the bottom of each (2776) Rock Rail as shown in fig. 14.1. Make sure (2779) Access Board is flush to the outside and bottom edges of each (2776). Attach using 4 (S20) Wood Screws.
- C:** 7-5/8" (193.6 mm) down from the top of both (2776) Rock Rails place 1 (2781) Rk Board B, making sure the sides are flush to the outside edges of each (2776) Rock Rail. Attach using 4 (S20) Wood Screws. (fig. 14.1)
- D:** In between the (2779) Access Board and (2781) Rk Board B stagger 2 (2781) Rk Board Bs and 2 (2780) Rk Board As using 4 (S20) Wood Screws per board. Placing them as shown in fig. 14.1, this will prevent rocks from forming a straight line. Make sure the boards are evenly spaced and do not exceed 2-3/8" (60.3 mm) between boards.

Fig. 14.2



- E:** Place 1 rock on each (2780) Rk Board A and (2781) Rk Board B (fig. 14.2) and attach using 1 (PB2) Pan Bolt (with lock washer, flat washer and barrel nut) and 1 (S10) Pan Screw per rock. The Screw must be in the hole directly under the Pan Bolt, it will stop the rock from spinning. (fig. 14.3)



Wood Parts	Hardware	Other Parts
1 x 2779 Access Board	24 x S20 Wood Screw	5 x Rocks (3 green/2 yellow)
3 x 2781 Rk Board B	5 x S10 Pan Screw	
2 x 2780 Rk Board A	5 x PB2 Pan Bolt (lock washer, flat washer & barrel nut)	
2 x 2776 Rock Rail		

Step 15: Attach Rock Wall Assembly to Fort

Part 1

A: Place Rock Wall Assembly centred in opening of the Back Wall as shown in the Fort Guide and flush as shown below. Attach (2776) Rock Rails to the Back Wall using 4 (S11) Wood Screws. (fig. 15.1 and 15.2)

B: Attach 1 (2779) Access Board to top of Rock Wall Assembly, flush to top of (2776) Rock Rails using 4 (S20) Wood Screws. (fig. 15.3)

Note: Make sure (2776) Rock Rails do not cover the bolt head, move assembly over so it is tight to the bolt head. (fig. 15.1 and 15.2)

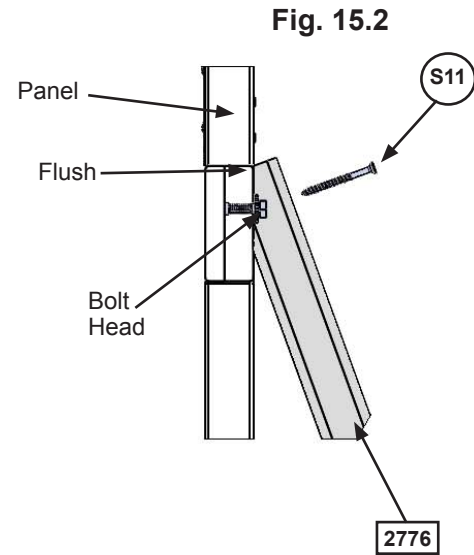
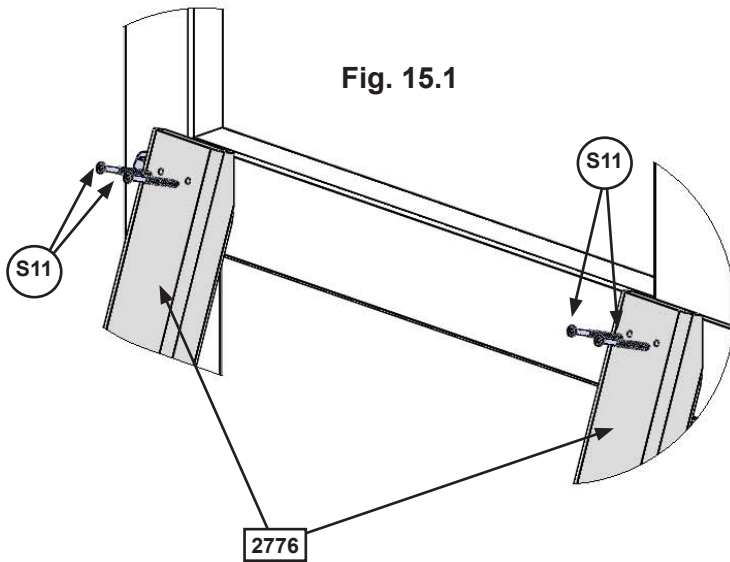
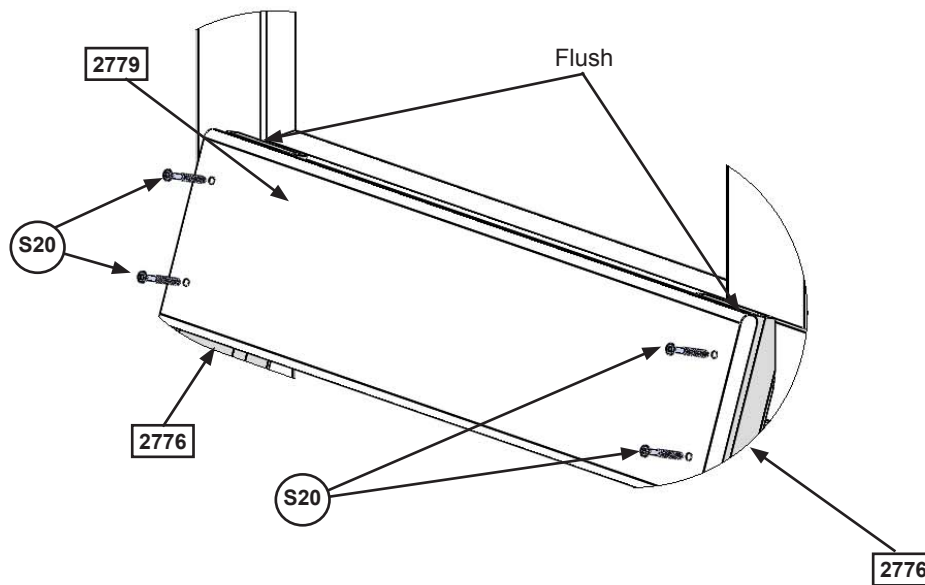


Fig. 15.3



Wood Parts

1 x 2779 Access Board

Hardware

4 x S20 Wood Screw

4 x S11 Wood Screw

Step 15: Attach Rock Wall Assembly to Fort

Part 2

C: Drive 1 Rebar Ground Stake 13" (330 mm) into the ground against outside (2776) Rock Rail then attach with 1 (S7) Pan Screw. Be careful not to hit the washer while hammering stake into the ground as this could cause the washer to break off. (fig. 15.4 and 15.5)

D: After driving stake into the ground, check for sharp edges caused by the impact of the hammer. Smooth any sharp edges from impact area and touch up with outdoor paint.

⚠Warning! To prevent tipping and avoid potential injury, stakes must be driven 13" (330 mm) into ground. Digging or driving stakes can be dangerous if you do not check first for under-ground wiring, cables or gas lines.

Fig. 15.4

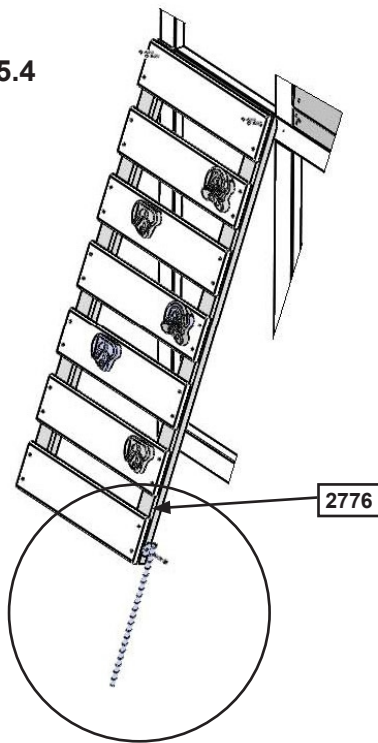
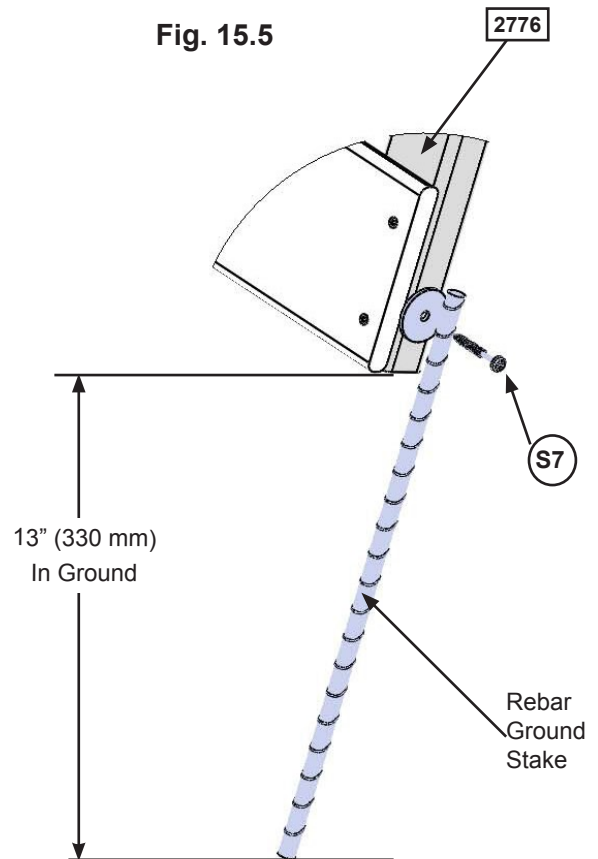


Fig. 15.5



Hardware

1 x (S7) Pan Screw

Other Parts

1 x Rebar Ground Stake

Step 16: Roof Support Assembly

A: Attach 1 (2760) Roof Support to a second (2760) Roof Support at peak using 1 (S4) Wood Screw. Repeat this step so there are 2 Roof Support Assemblies. (fig. 16.1 and 16.2)

Fig. 16.1

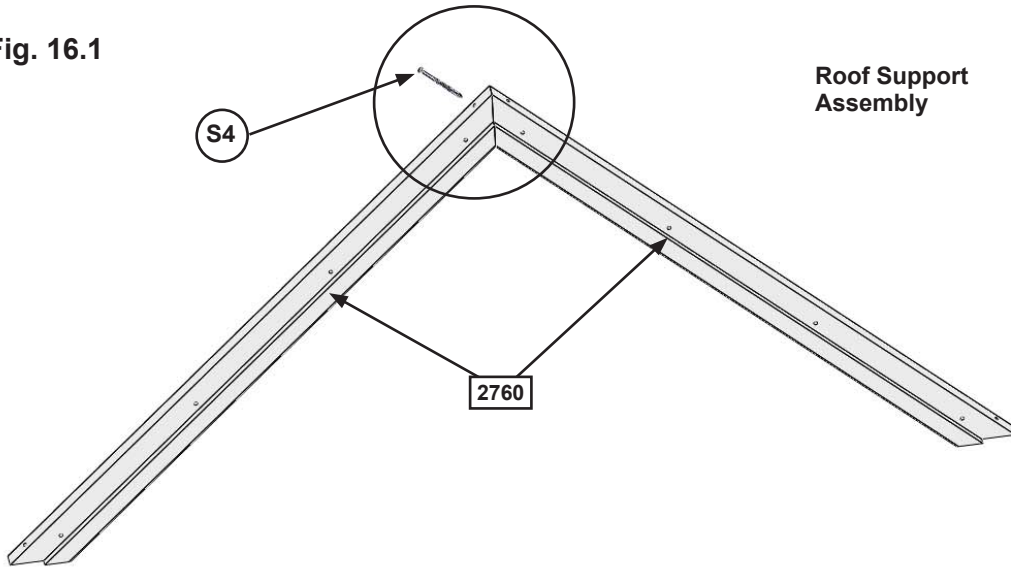
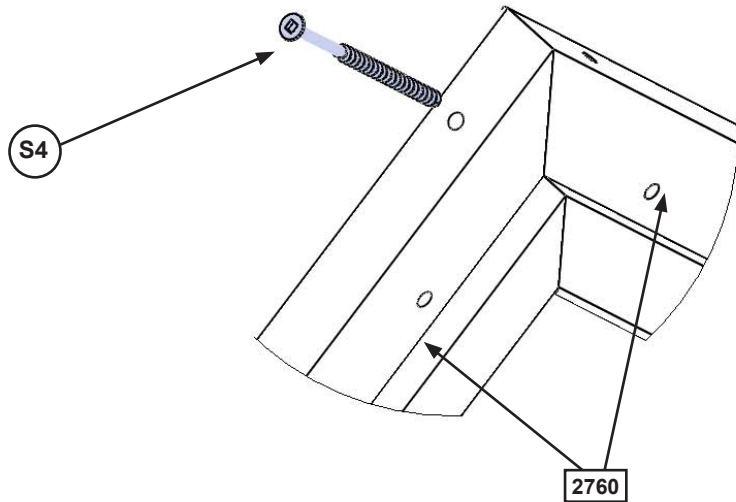


Fig. 16.2



Wood Parts

4 x **2760** Roof Support

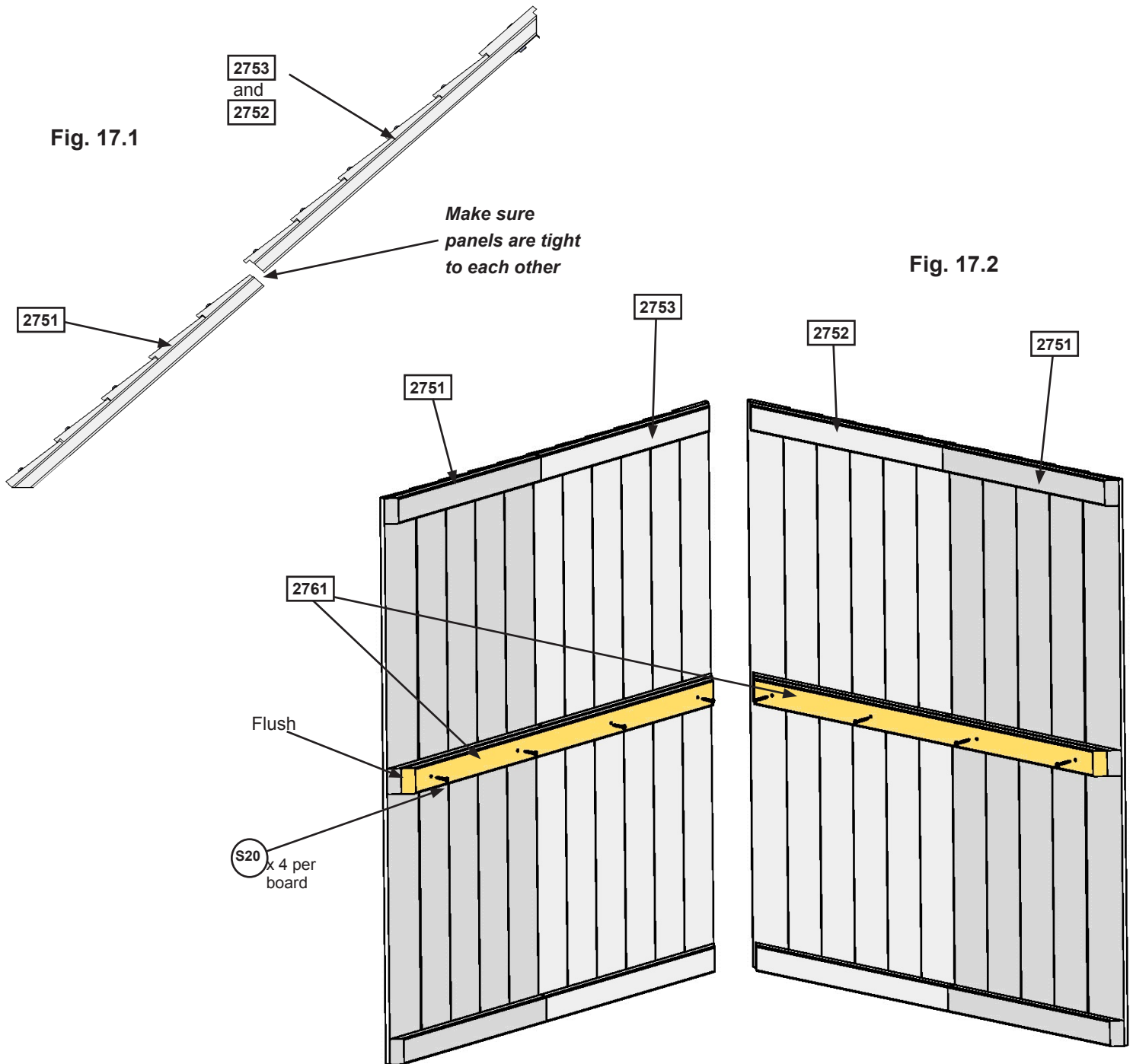
Hardware

2 x **S4** Wood Screw

Step 17: Roof Panel Assembly

A: Place 1 (2751) MOD Roof Bottom tight to the bottom of (2752) MOD Roof Front and (2753) MOD Roof Back. (fig.17.1)

B: Place a (2761) Roof Sleeper C on the middle strip of each Roof Panel Assembly so the ends are flush and attach with 4 (S20) Wood Screws per panel. (fig.17.2)



Wood Parts

- 2 x 2751 MOD Roof Bottom
- 1 x 2752 MOD Roof Front
- 1 x 2753 MOD Roof Back
- 2 x 2761 Roof Sleeper C

Hardware

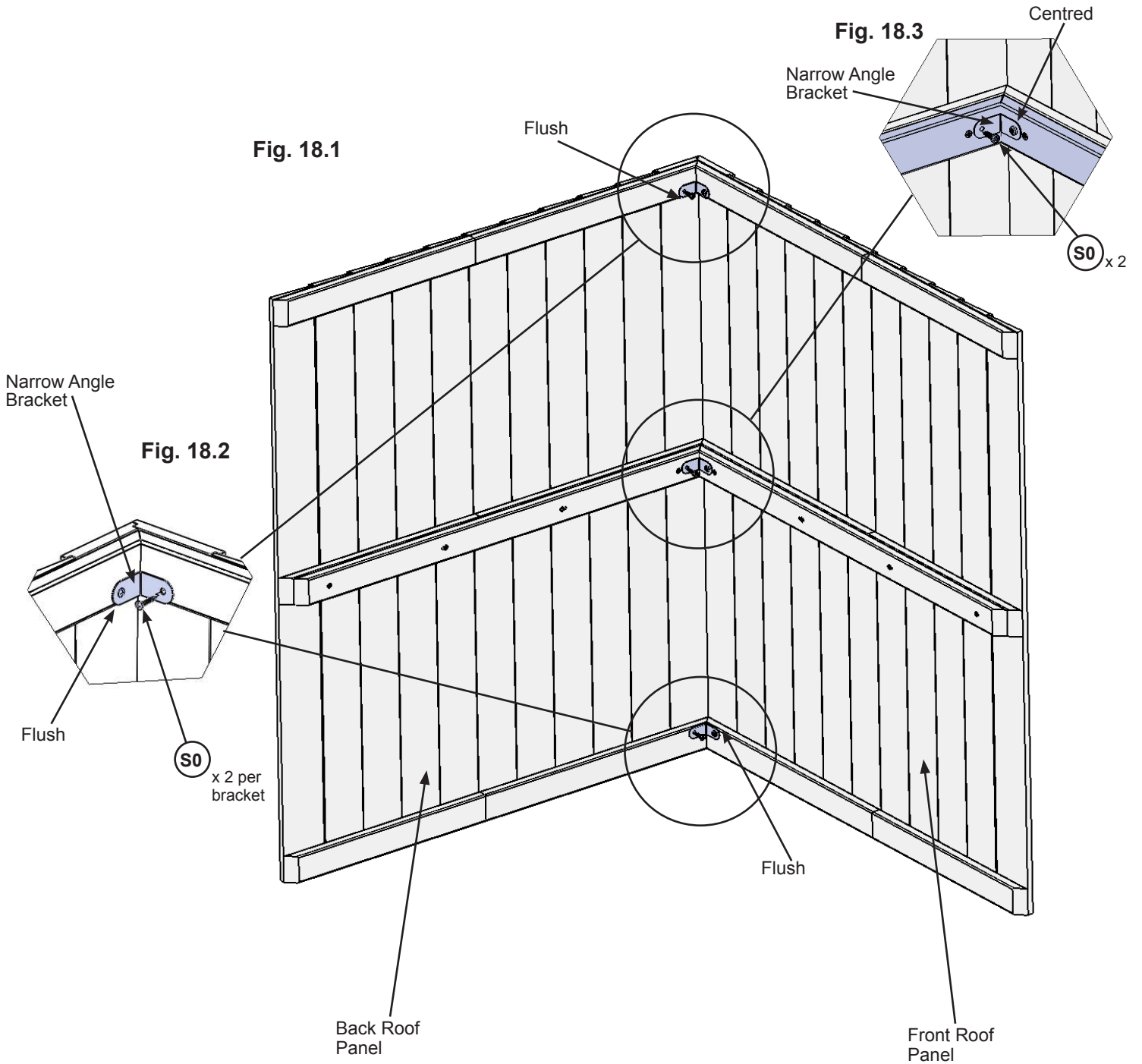
- 8 x S20 Wood Screw

Step 18: Roof Assembly Part 1



A: Place Front Roof Panel against Back Roof Panel so the tops form a peak then tight to the inside edge of the outside slats attach 1 Narrow Angle Bracket per slat with 2 (S0) Truss Screws per bracket. (fig. 18.1 and 18.2)

B: Attach the third Narrow Angle Bracket centred on the middle slat with 2 (S0) Truss Screws. (fig. 18.1 and 18.3)



Hardware

6 x S0 Truss Screw

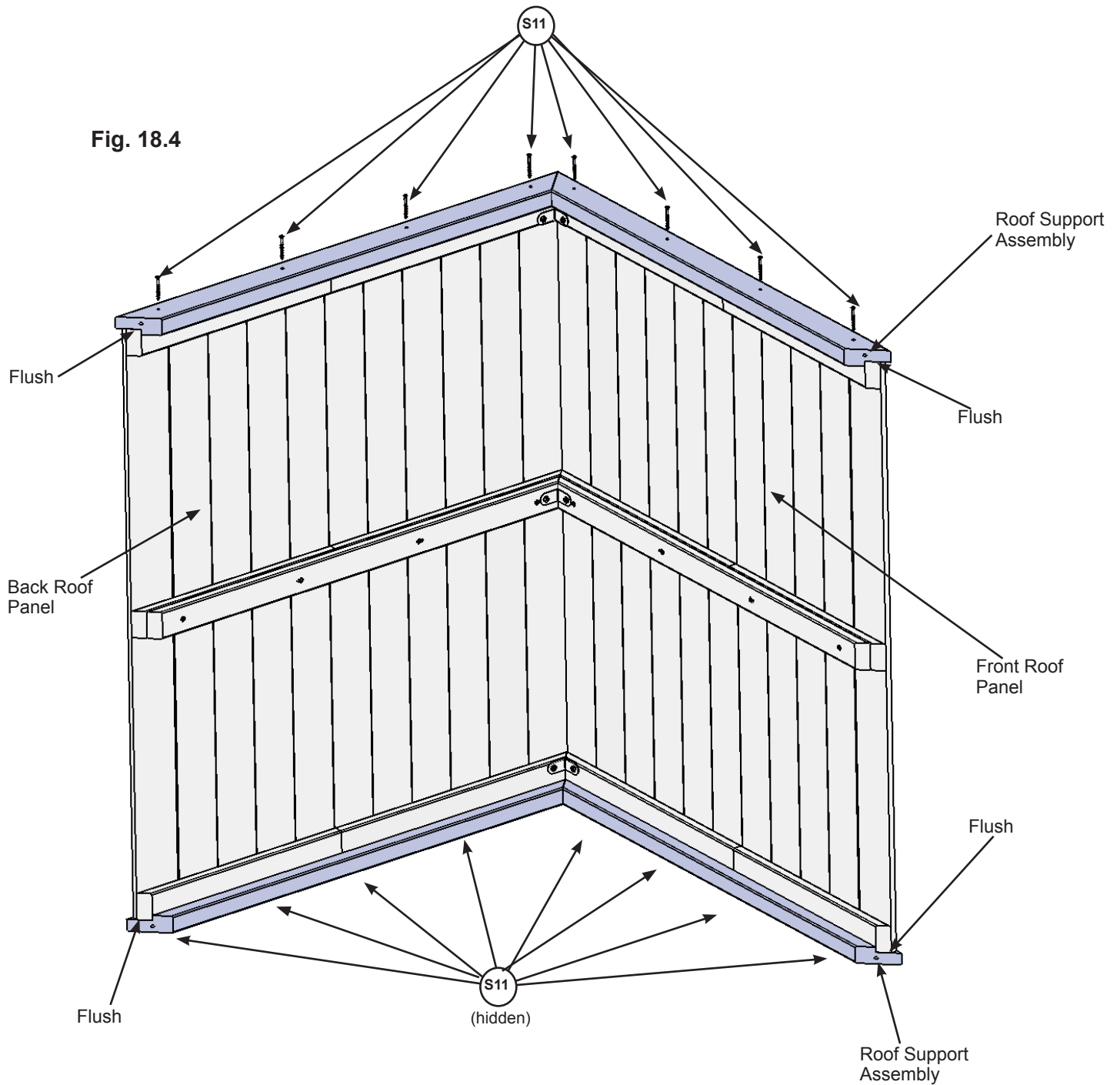
Other Parts

3 x Narrow Angle Bracket

Step 18: Roof Assembly Part 2

C: Place 1 Roof Support Assembly against one side so the peaks meet and the ends of the roof supports are flush with the ends of the roof panels. Attach with 8 (S11) Wood Screws. (fig. 18.4)

D: Attach the second Roof Support Assembly on the opposite side, peaks to meet and ends are flush with 8 (S11) Wood Screws. (fig. 18.4)



Hardware

16 x  Wood Screw

Step 19: Attach Peak Detail

A: Attach 1 Peak Detail to the inside of the (2760) Roof Supports on each side of the Roof Assembly with 8 (S8) Pan Screws (with 1/4" flat washer) per Peak Detail. (fig. 19.1 and 19.2)

Fig. 19.1

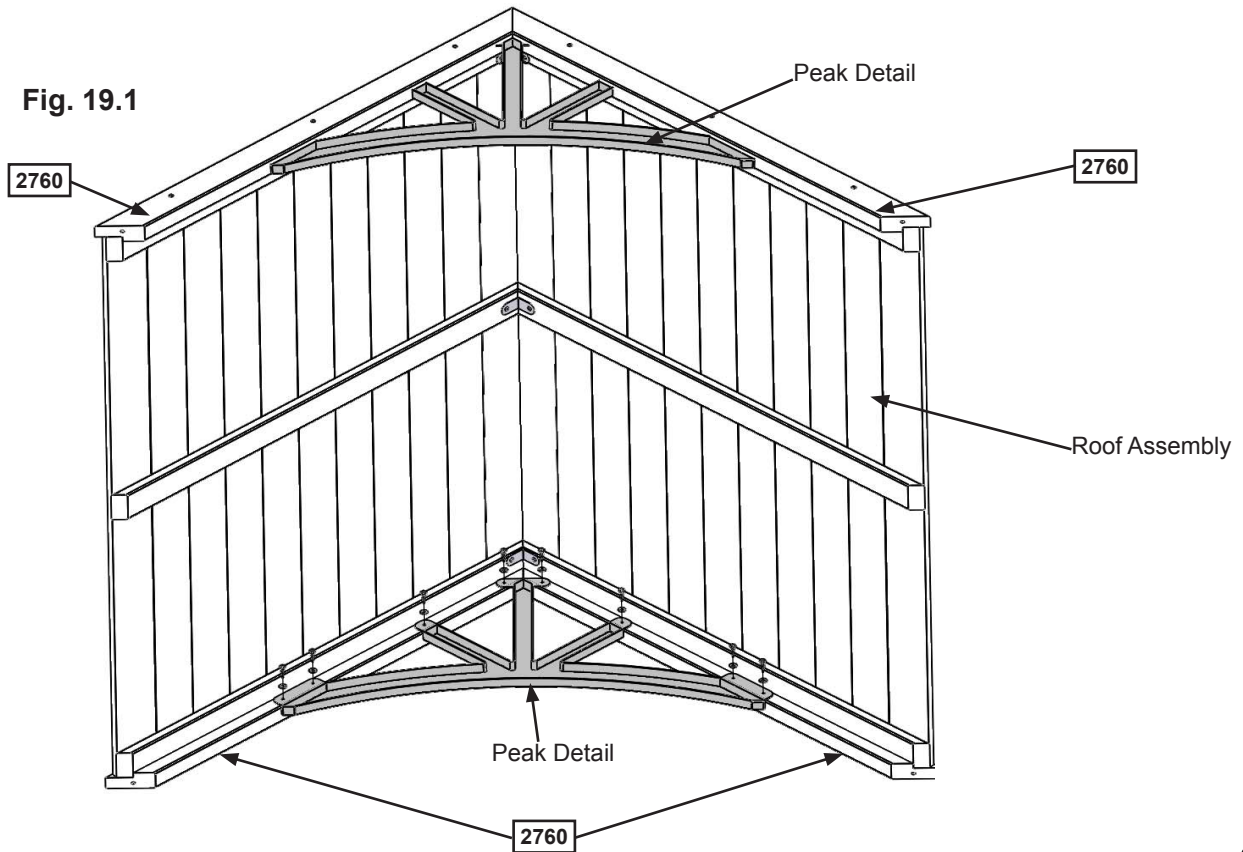
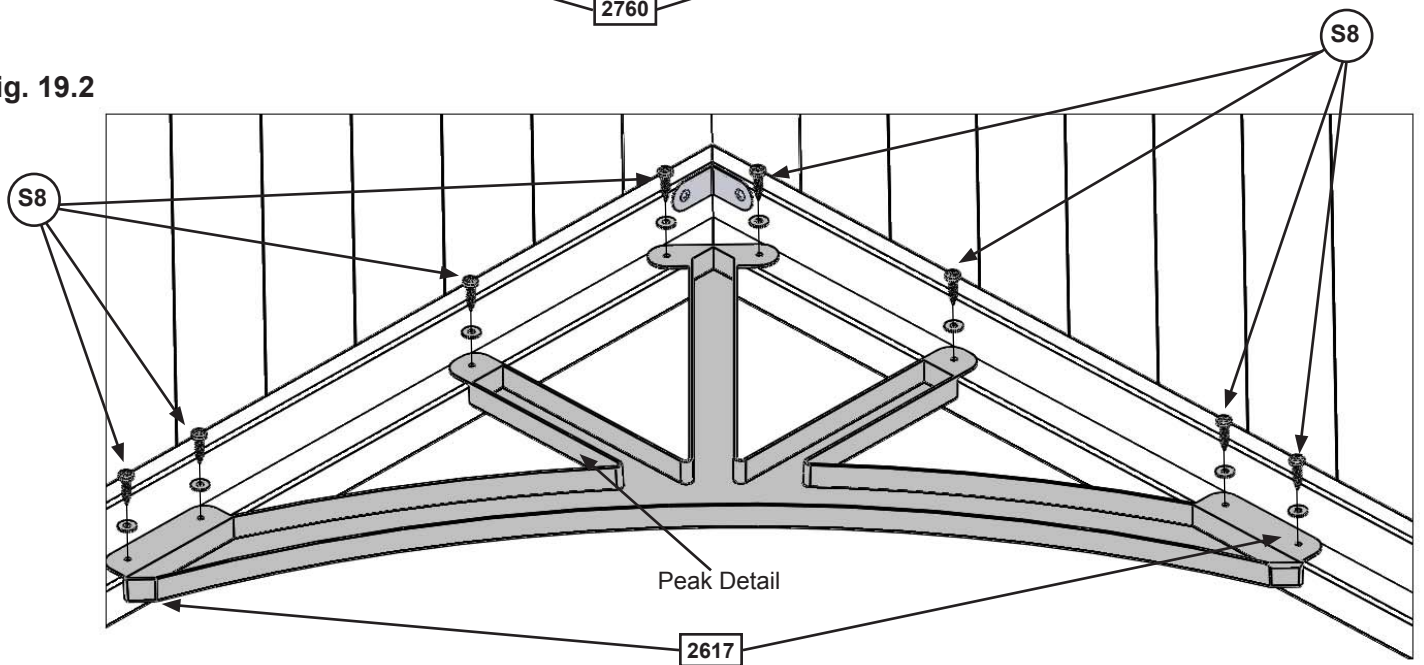


Fig. 19.2



Hardware

16 x (S8) Pan Screw
(1/4" flat washer)

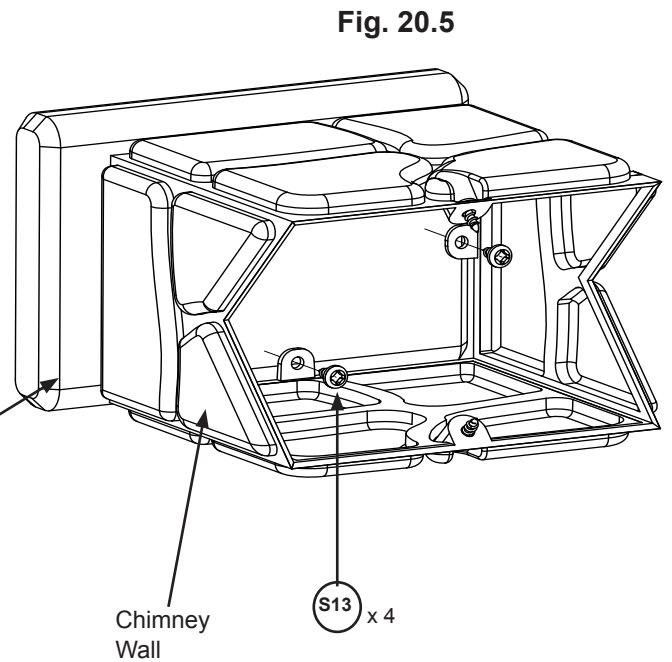
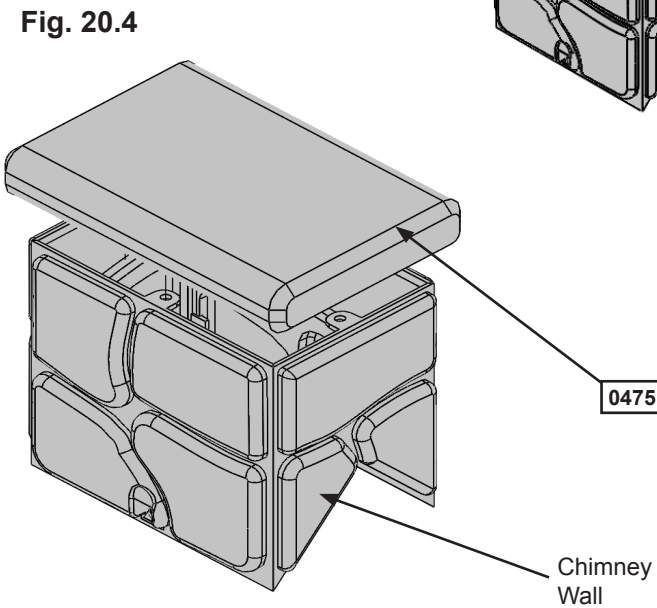
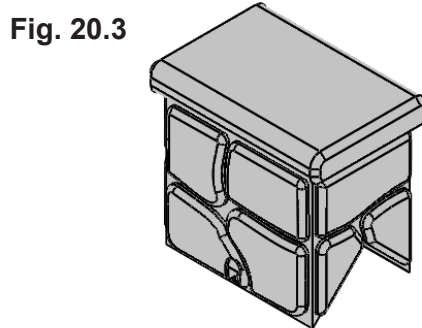
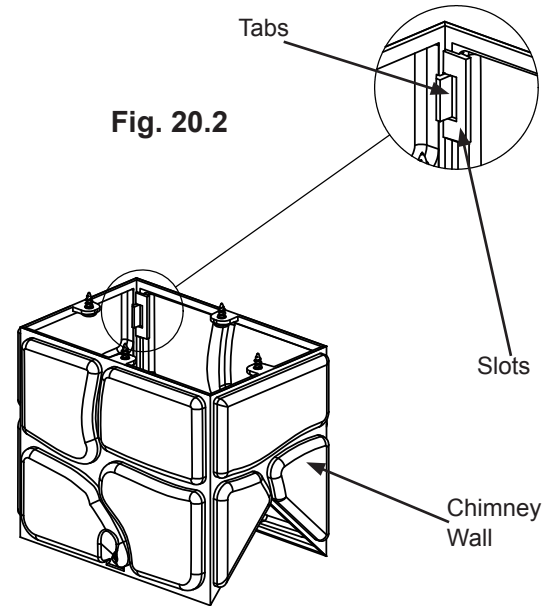
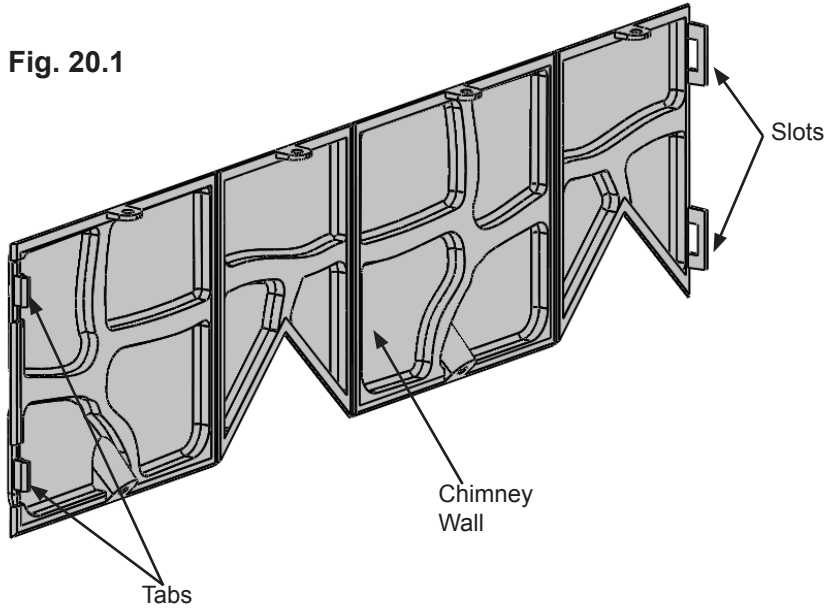
Other Parts

2 x Peak Detail

Step 20: Chimney Wall Assembly Part 1

A: Bend the Chimney Wall to form a box and insert tabs into slots. (fig. 20.1 and 20.2)

B: Place the (0475) Chimney Top on top of the assembly and attach with 4 (S13) Pan Screws. (fig. 20.3, 20.4 and 20.5)



Wood Parts

1 x 0475 Chimney Top

Hardware

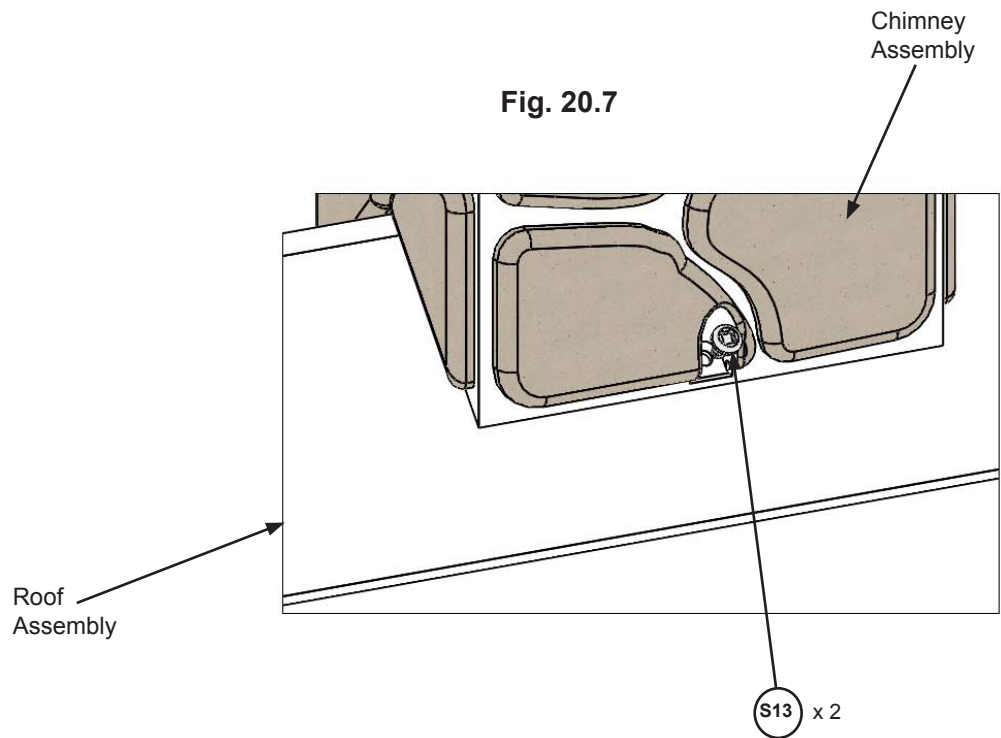
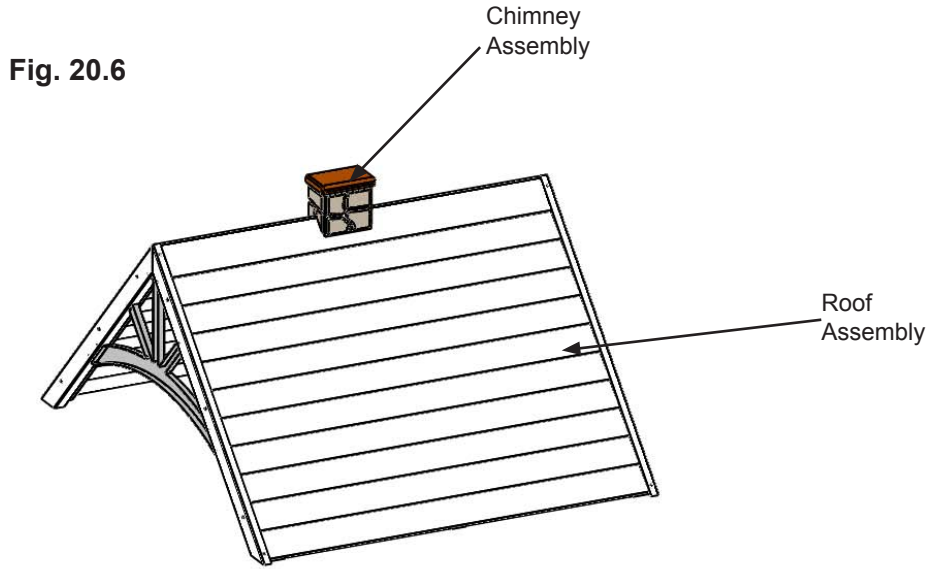
4 x S13 Pan Screw

Other Parts

1 x Chimney Wall Set

Step 20: Chimney Wall Assembly Part 2

C: Place the Chimney Wall Assembly centred on top of the Roof Assembly and attach with 2 (S13) Pan Screws. (fig. 20.6 and 20.7)



Hardware

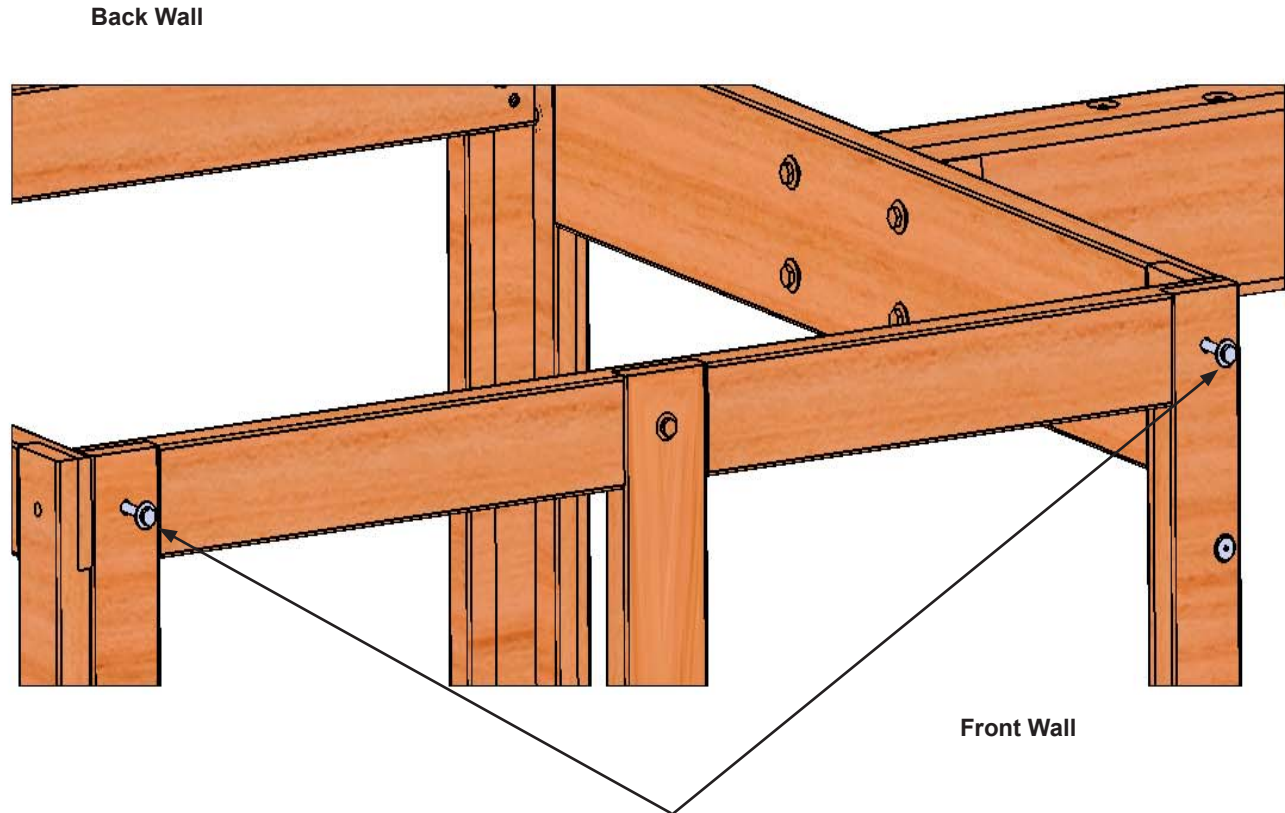
2 x (S13) Pan Screw

Step 21: Attach Roof Ends Part 1



A: On the Front and Back Walls remove the 2 outside (H9) Hex Bolts attached at the top of the assembly from Step 1, Part 2. Leave the (TN1) T-nuts in. The (FW1) Flat Washers and (LW1) Lock Washers will be used in Step B. (fig. 21.1)

Fig. 21.1



Remove these bolts on both Front and Back Walls, keeping lock washers and flat washers for next step. Do not remove the t-nuts.

Step 21: Attach Roof Ends Part 2



B: Loosely attach 1 (2759) Roof End to each corner, flush to the top of (2775) Panel Cross Supports, with 1 (H3) Hex Bolt per board, using the (FW1) Flat Washer and (LW1) Lock Washer from Step A and connecting to the (TN1) T-nut. Notice which bolt holes are to be used. (fig. 21.2, 21.3, 21.4 and 21.5)

Fig. 21.2

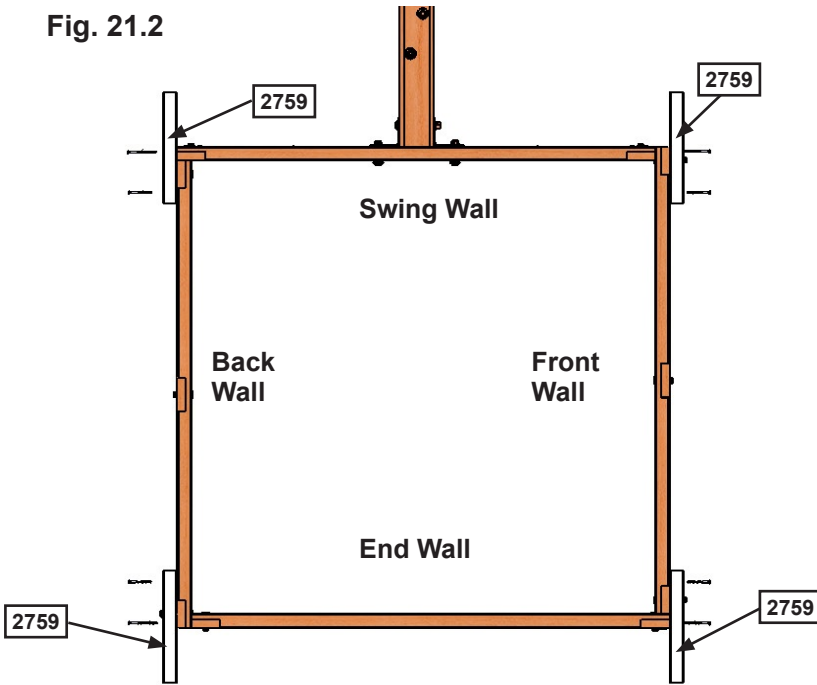


Fig. 21.3

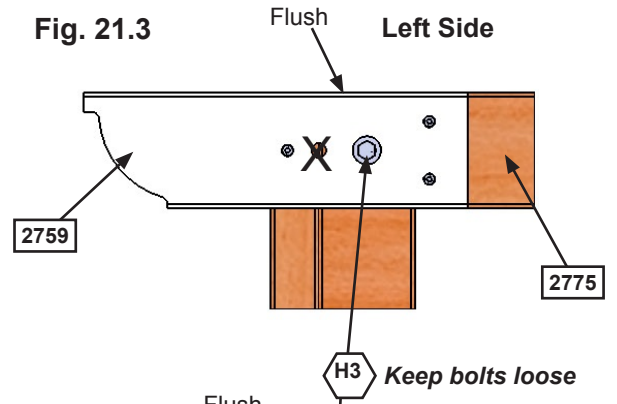


Fig. 21.4

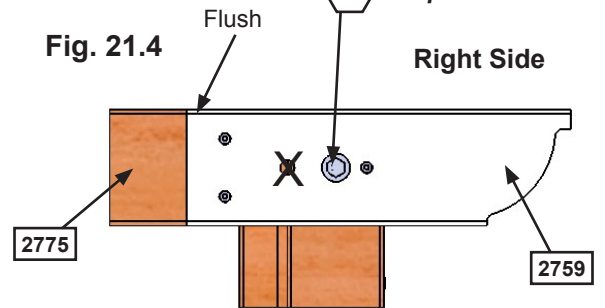
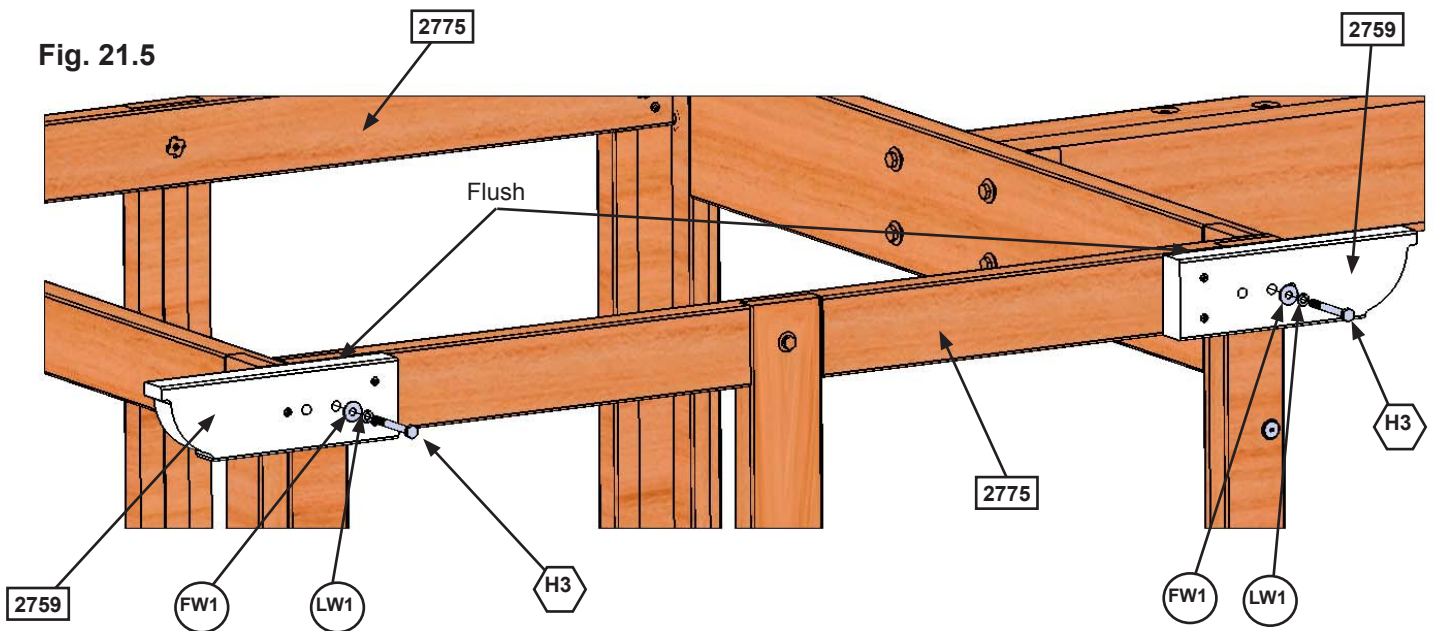


Fig. 21.5



Wood Parts

4 x 2759 Roof End

Hardware

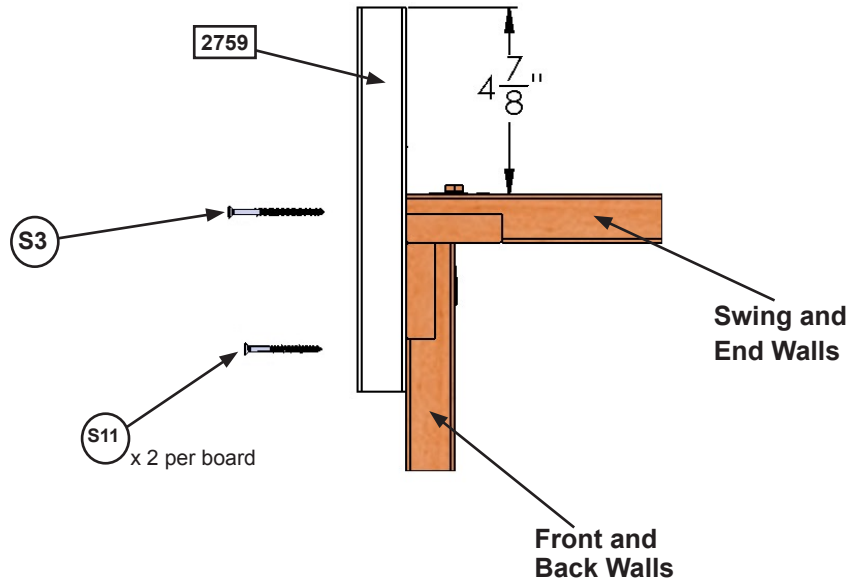
4 x H3 Hex Bolt

Step 22: Fasten Roof Ends

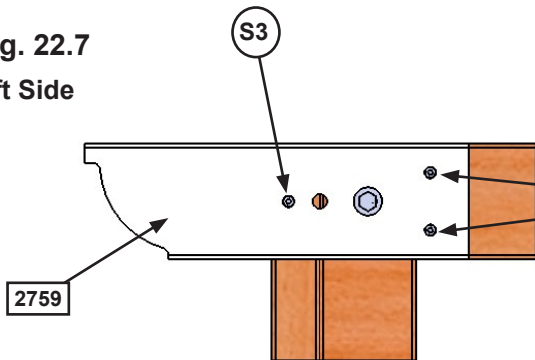


C: Measure overhang so it is 4-7/8" then attach with 2 (S11) Wood Screws and 1 (S3) Wood Screw per (2759) Roof End. Tighten the bolts. (fig. 22.6, 22.7 and 22.8)

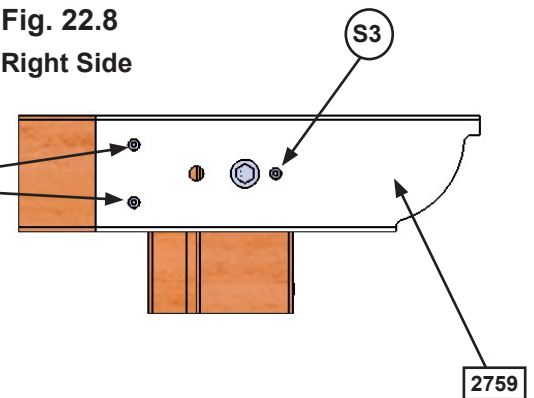
**Fig. 22.6
Top View**



**Fig. 22.7
Left Side**



**Fig. 22.8
Right Side**



Hardware

- 4 x (S3) Wood Screw
- 8 x (S11) Wood Screw

Step 23: Attach Roof Assembly to Fort



A: With 2 people on the ground and at least 1 person in the fort, lift the Roof Assembly up and over the Back side of the fort. Guide the Roof Assembly onto the fort so all four (2617) Roof Supports sit flush to the front and outside edges of (2759) Roof End. (fig. 23.1, 23.2 and 23.3)

B: Attach (2617) Roof Supports to (2759) Roof End with 1 (S3) Wood Screw per support. (fig. 23.1, 23.2 and 23.3)

Fig. 23.1

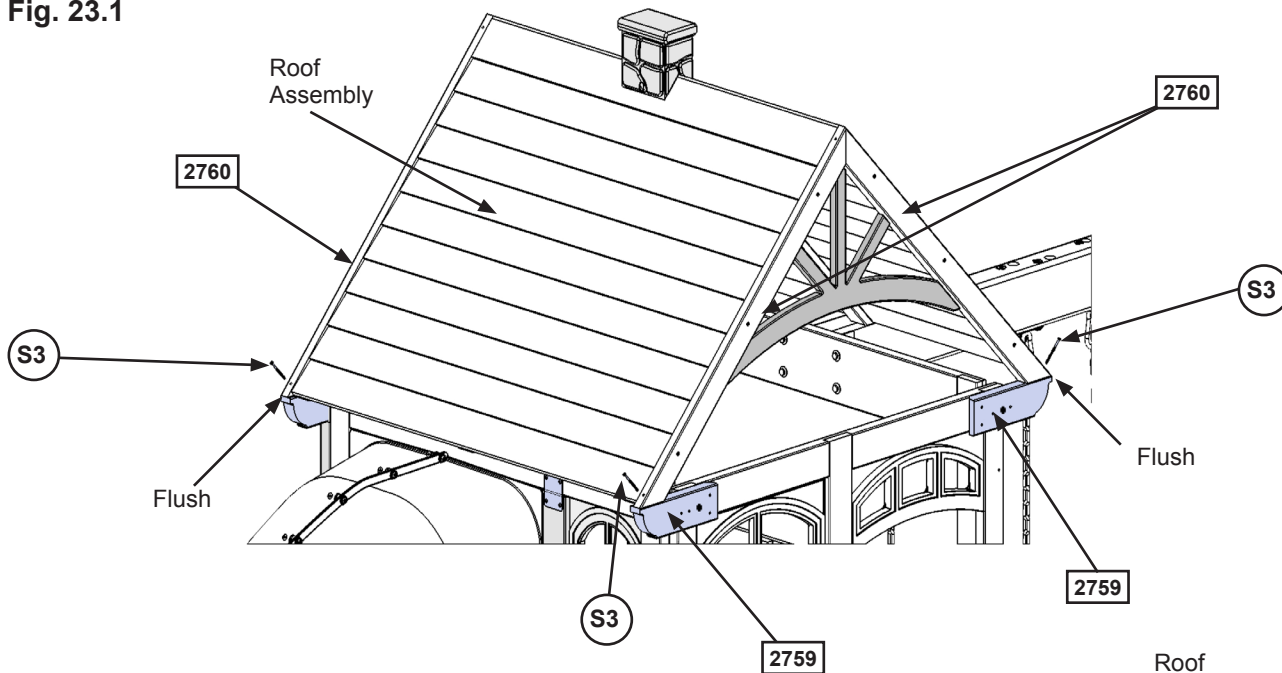


Fig. 23.2

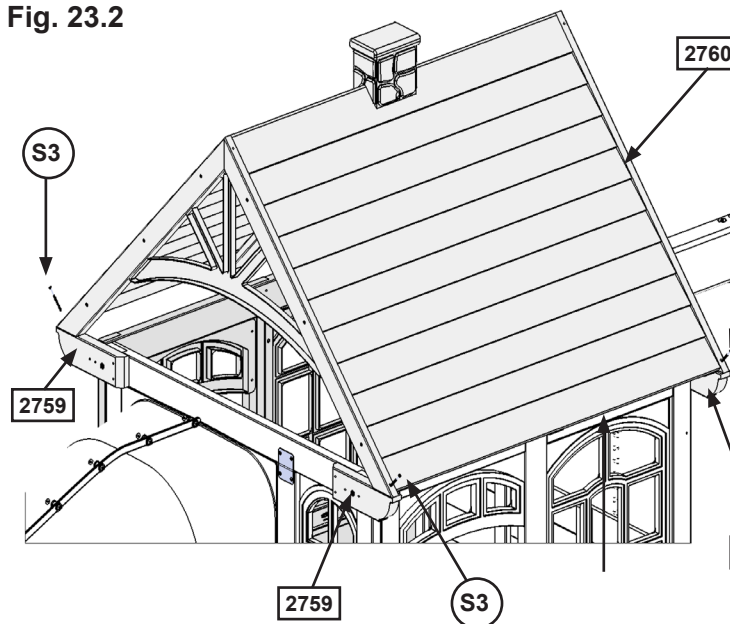
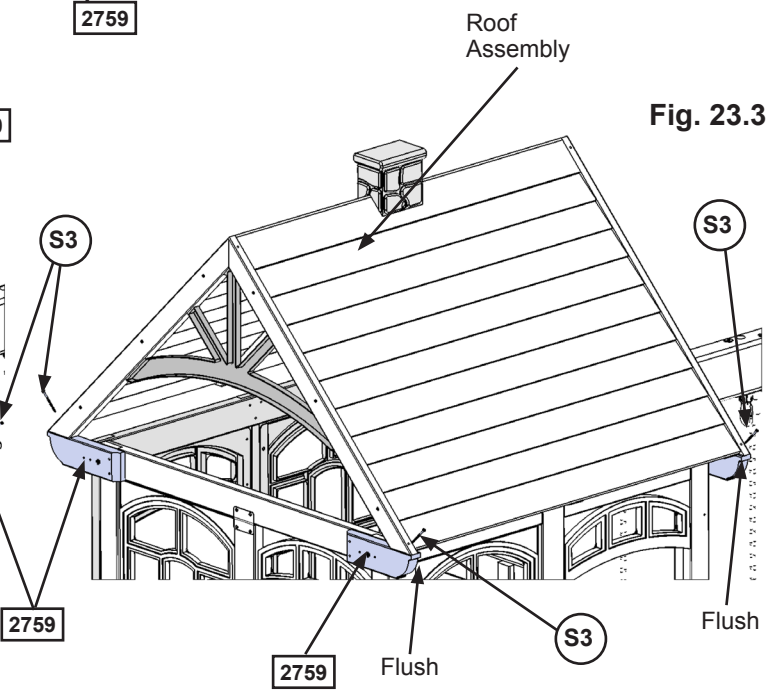


Fig. 23.3



Hardware

4 x S3 Wood Screw

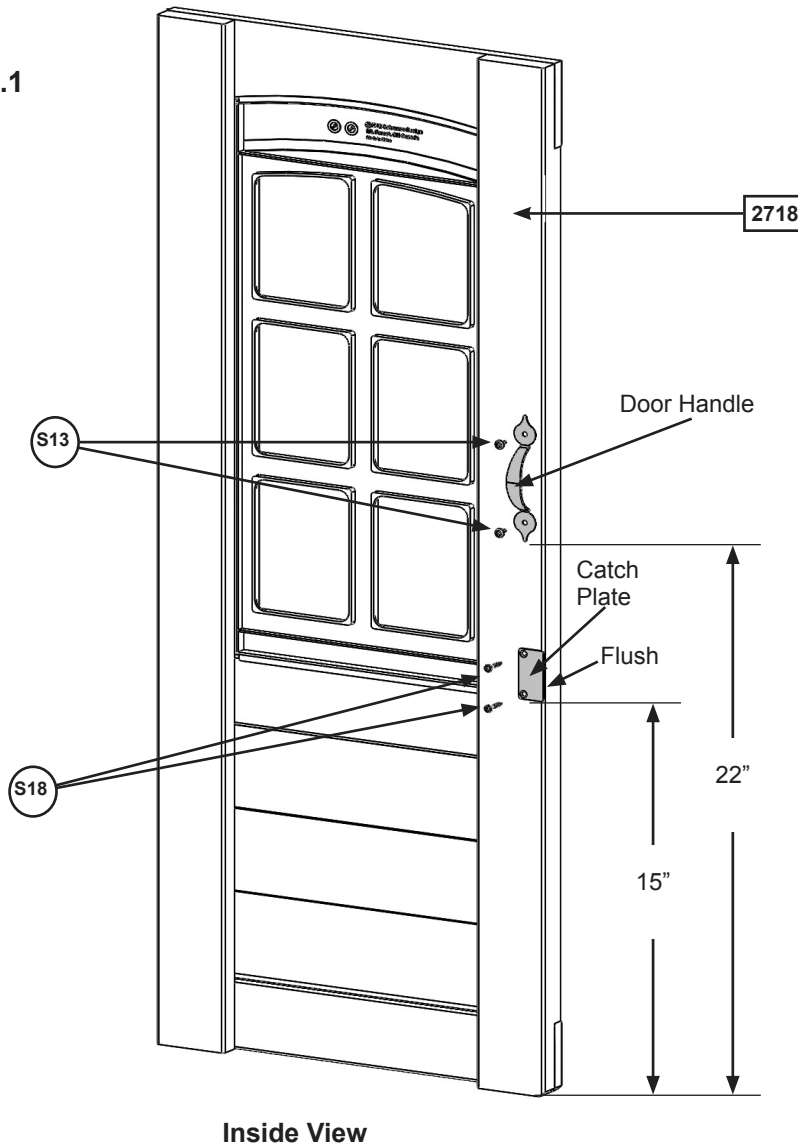
Step 24: Attach Door Components Part 1



A: On the inside of (2718) Door Window Panel measure 15" up from the bottom and attach Catch Plate flush to the edge using 2 (S18) Wood Screws. (fig. 24.1)

B: On the inside of (2718) Door Window Panel measure 22" up from the bottom and attach 1 Door Handle using 2 (S13) Pan Screws. (fig. 24.1)

Fig. 24.1



Wood Parts

1 x 2718 Door Window Panel

Hardware

2 x S18 Wood Screw

2 x S13 Pan Screw

Other Parts

1 x Door Handle

1 x Catch Plate

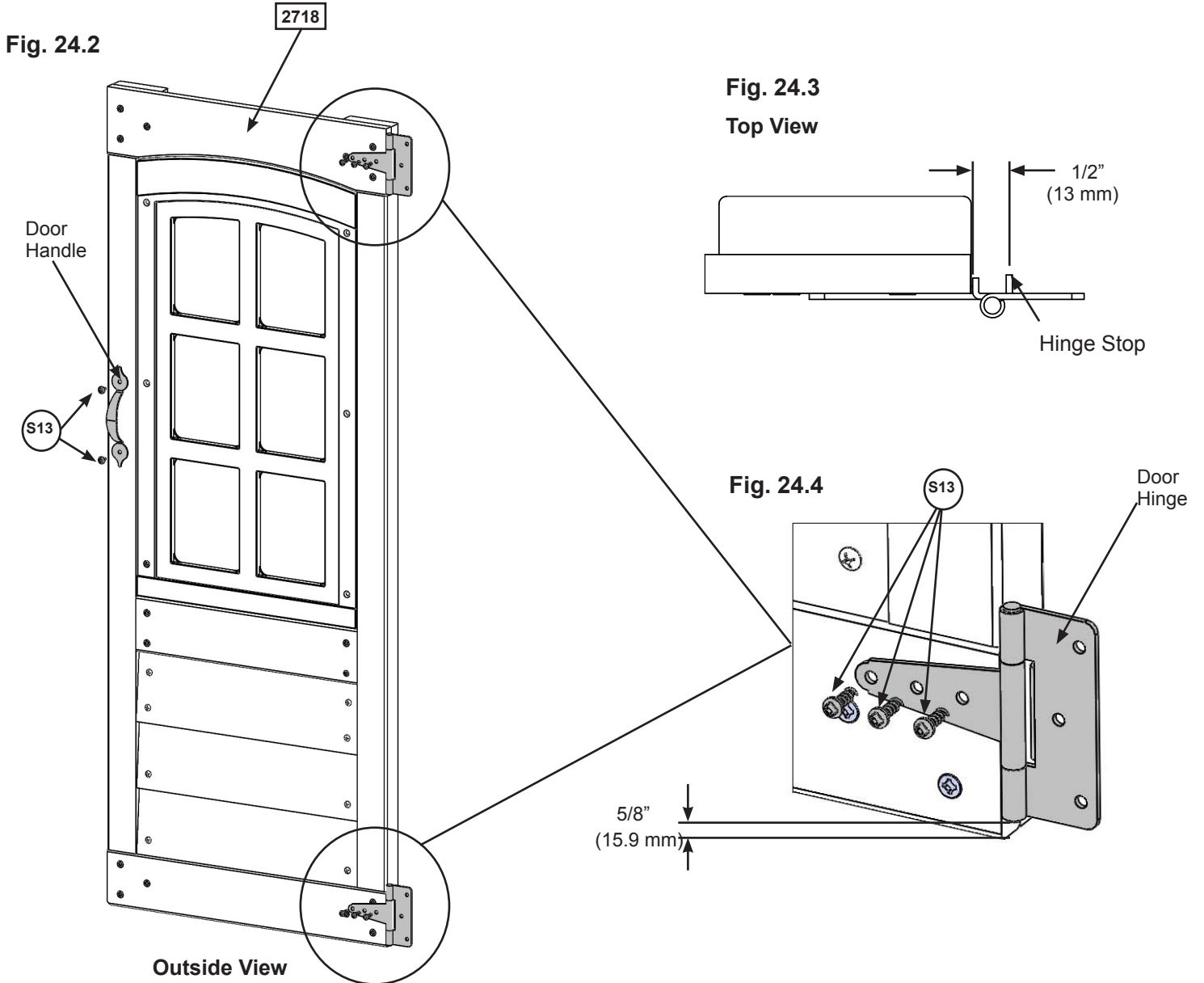
Step 24: Attach Door Components Part 2



C: On the outside of the (2718) Door Window Panel attach the second Door Handle at approximately the same place as the one on the inside. Use 2 (S13) Pan Screws. (fig. 24.2)

D: On the opposite side of the Door Handle measure 5/8" (15.9 mm) from the top and bottom of (2718) Door Window Panel attach 2 Door Hinges on the outside using 3 (S13) Pan Screws per Hinge. (fig. 24.2 and 24.4)

Note: Hinge stops must be tight to (2718) Door Window Panel. (fig. 24.3)



Hardware
8 x (S13) Pan Screw

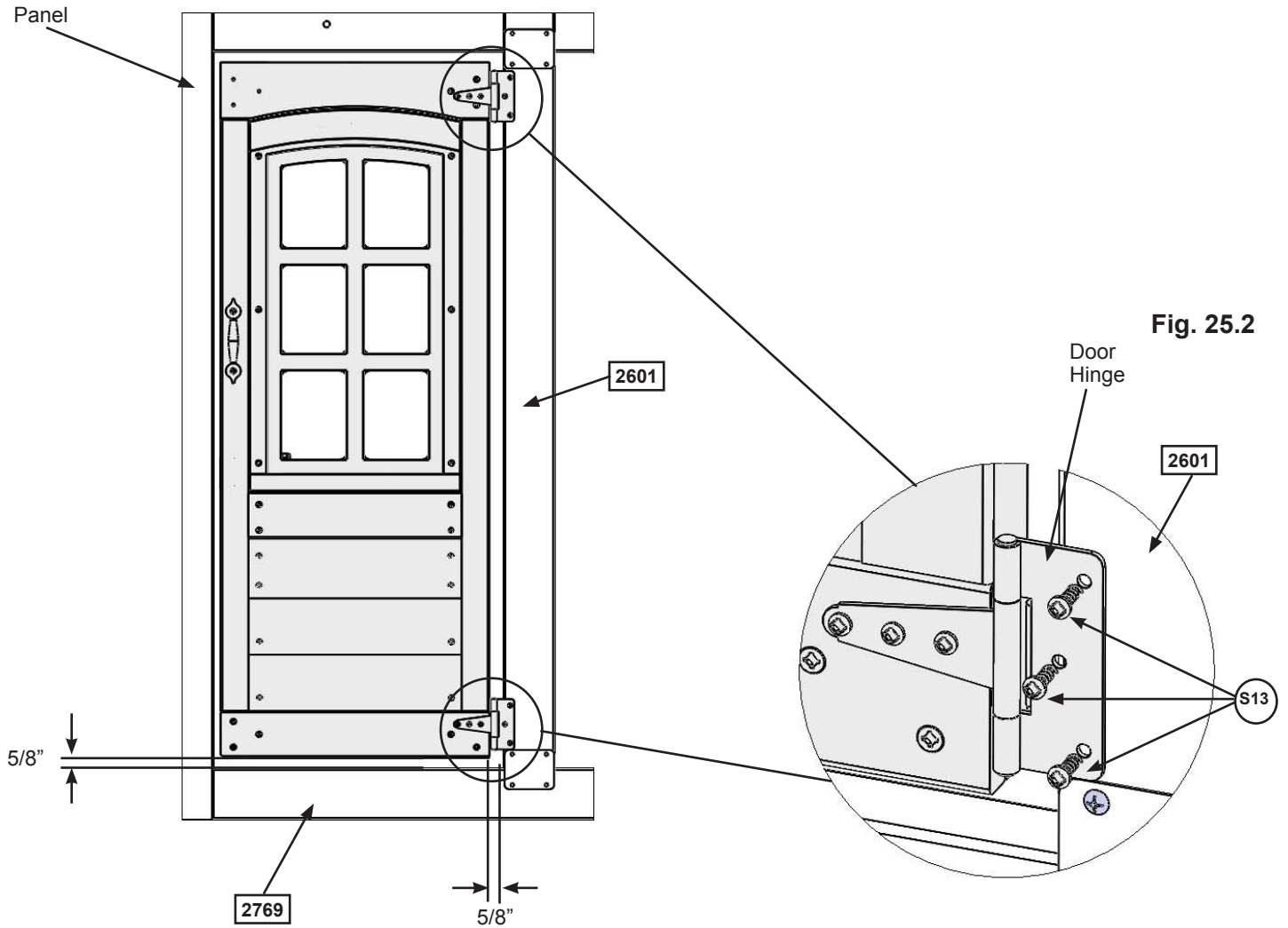
Other Parts
1 x Door Handle
2 x Door Hinge

Step 25: Attach Door Assembly to Fort



A: In the opening for the door on the Front Wall as shown in the Fort Guide, measure 5/8" up from (2769) Panel BT Frame and maximum 5/8" from (2601) Lower Jamb and attach the remaining side of the hinges to (2601) Lower Jamb using 3 (S13) Pan Screws per hinge. (fig. 25.1 and 25.2)

Fig. 25.1
Outside View



Hardware

6 x  Pan Screw

Step 26: Attach Door Stop



A: In the notched out opening of (2715) Door Stop attach the Magnetic Catch using 2 (S18) Wood Screws. (fig. 26.1) **Important: Use a hand held screw driver and DO NOT over tighten.**

B: On the inside of the assembly, attach (2715) Door Stop to the panel with 3 (S11) Wood Screws, making sure (2715) Door Stop overhangs the panel by 1-1/4" and is in position to receive the Catch Plate. (fig. 26.2 and 26.3).

Fig. 26.2
Inside View

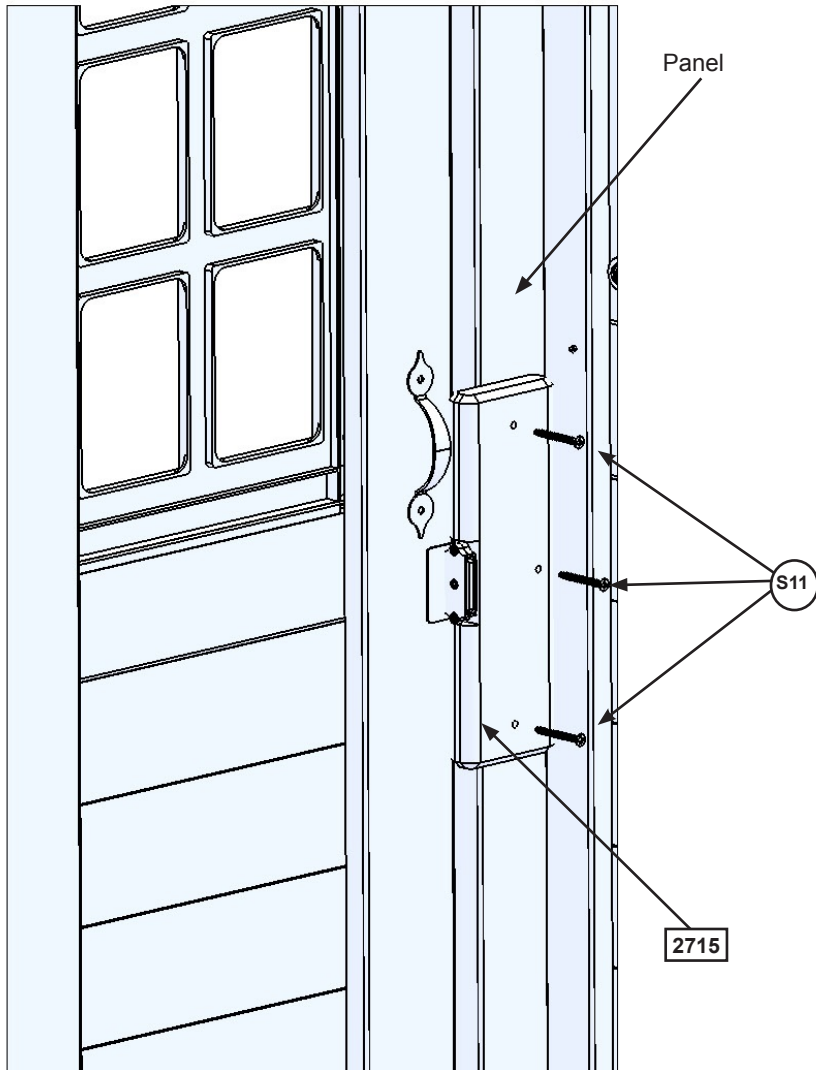


Fig. 26.1

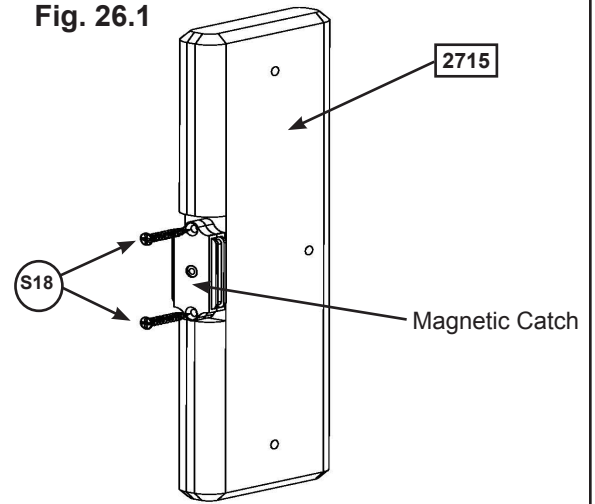
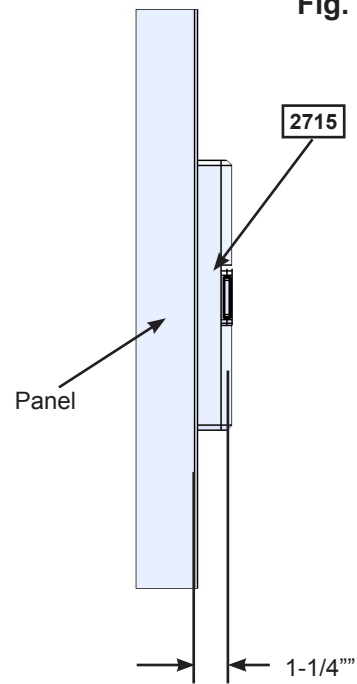


Fig. 26.3



Wood Parts

1 x 2715 Door Stop

Hardware

2 x S18 Wood Screw

3 x S11 Wood Screw

Other Parts

1 x Magnetic Catch

Step 27: Attach Slide to Fort



A: Place Slide in the centre of the opening at the front of the fort as shown in the Fort Guide, pre-drill with a 1/8" (3.2 mm) drill bit then attach slide to fort through the (2772) Panel Floor Support using 3 (S7) Pan Screws. (fig. 27.1 and 27.2)

Fig. 27.1

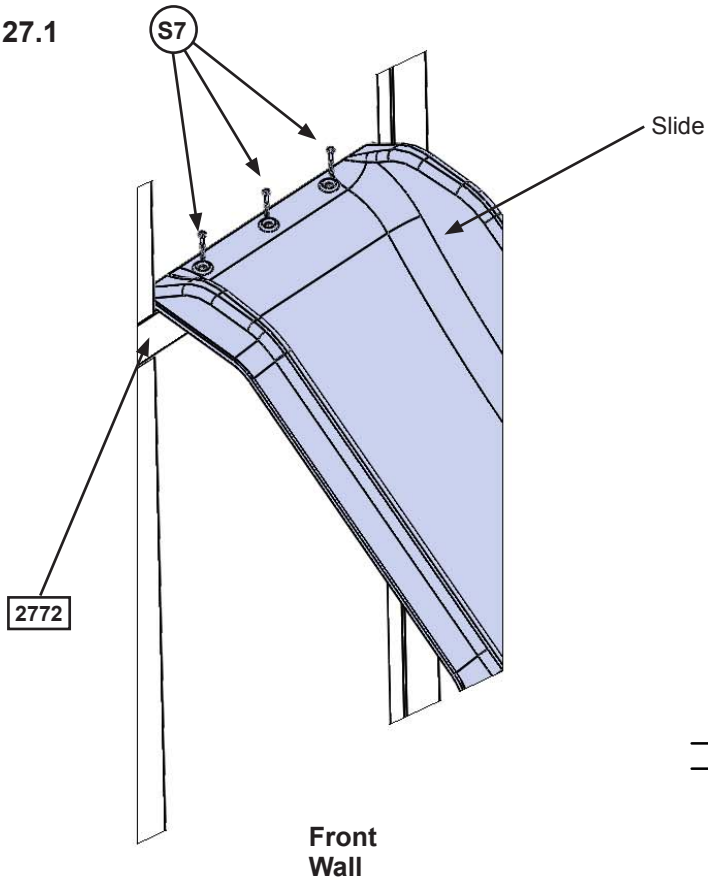
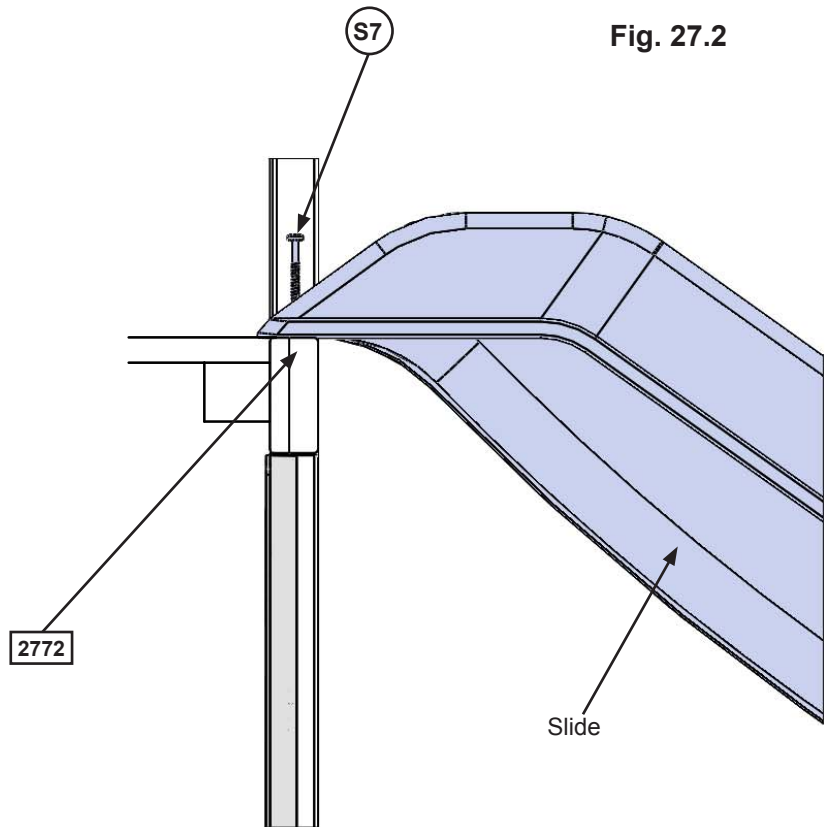


Fig. 27.2



Hardware

3 x  Pan Screw

Other Parts

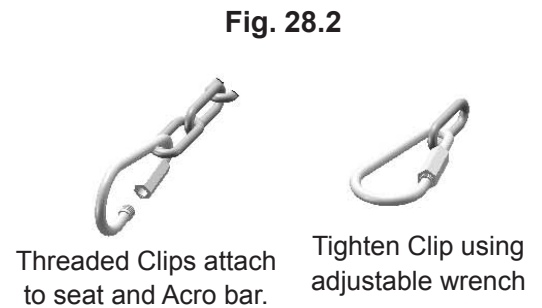
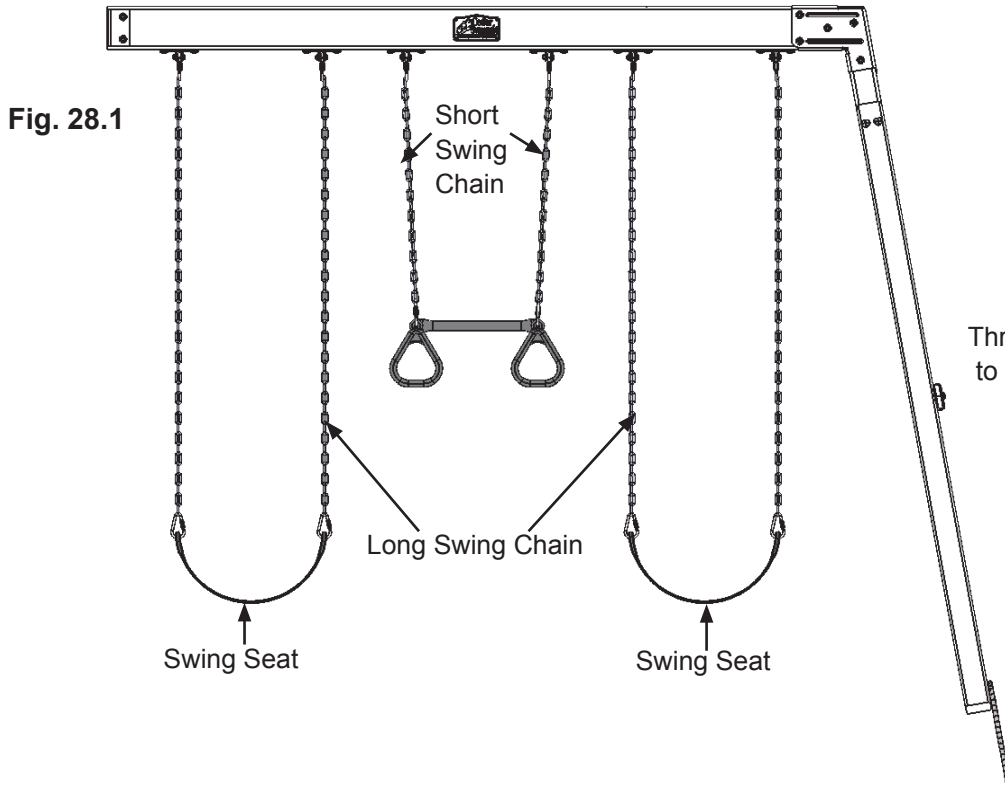
1 x Slide

Step 28: Attach Acro and Belt Swings

A: Using 1 Threaded Clip per chain, join 1 Long Swing Chain to each side of the swing belt seat. Make sure to close the Threaded Clip tightly using an adjustable wrench. (fig. 28.1 and 28.2).

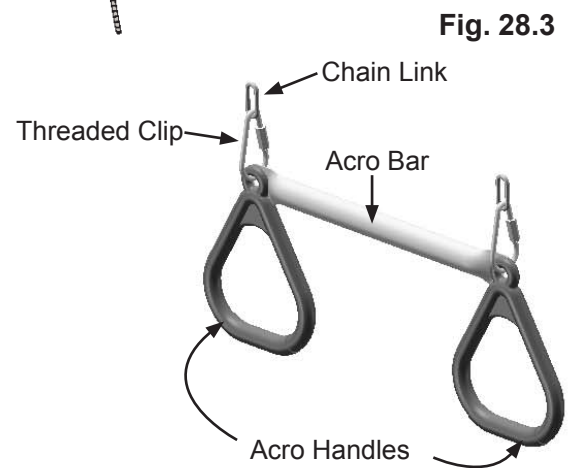
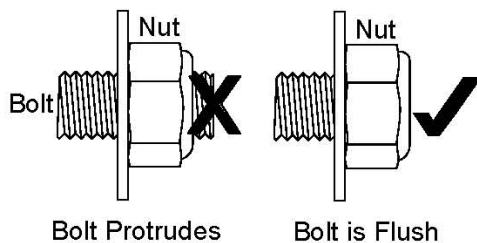
B: Using 1 Threaded Clip per chain, join the Short Swing Chain to the Acro Bar and Acro Handle. Make sure to close the Threaded Clip tightly using an adjustable wrench. (fig. 28.2 and 28.3)

C: Attach the other end of the swing chains to the Quick Clips attached to the swing hangers and make sure all Quick Links are tightened. (fig. 28.1)



Warning! Check entire play centre for bolts protruding beyond t-nuts. Use extra washers to eliminate this condition.

Bolt must not exceed 1/2 thread past the nut



Other Parts

- 1 x Acro Bar
- 2 x Acro Handle
- 2 x Swing Belt Seat
- 2 x Short Swing Chain
- 4 x Long Swing Chain
- 1 x Quick Link with Thread (6pk)

Step 29: Attach Slide Wall Inserts

A: In the narrow opening of the End Wall (Upper Jamb should already be installed), place the MOD Side Lite from inside the assembly then attach to the wall and (2602) Upper Jamb with 14 (S0) Truss Screws. (fig. 29.1 and 29.2)

B: In the wider opening of the End Wall tight to (2768) Panel Floor place (8935) Lower SL Insert from inside the assembly then attach to the wall and (2602) Upper Jamb with 4 (S0) Truss Screws. (fig. 29.1 and 29.2)

Fig. 29.1
Inside View

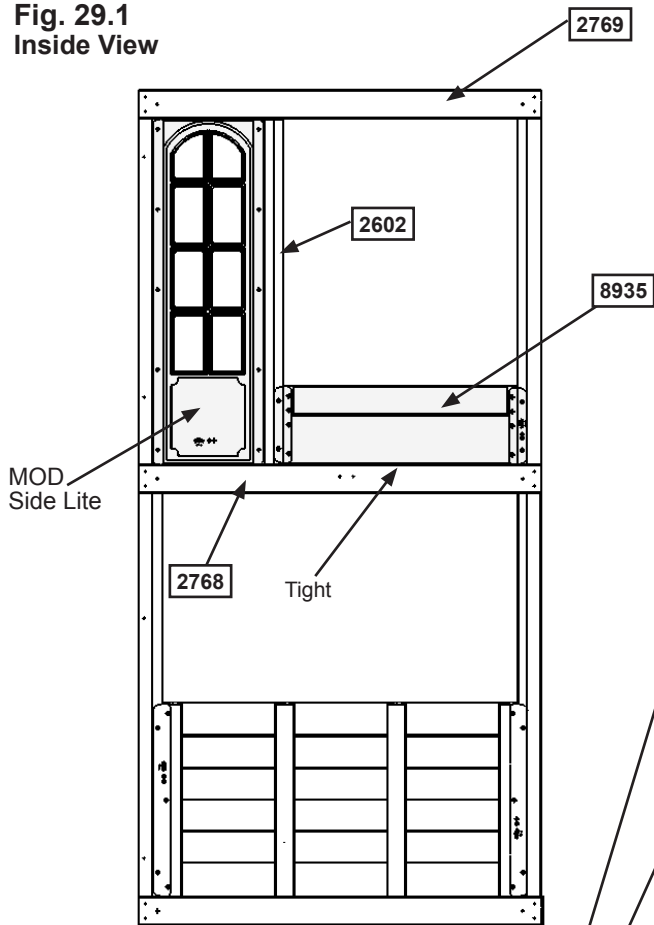
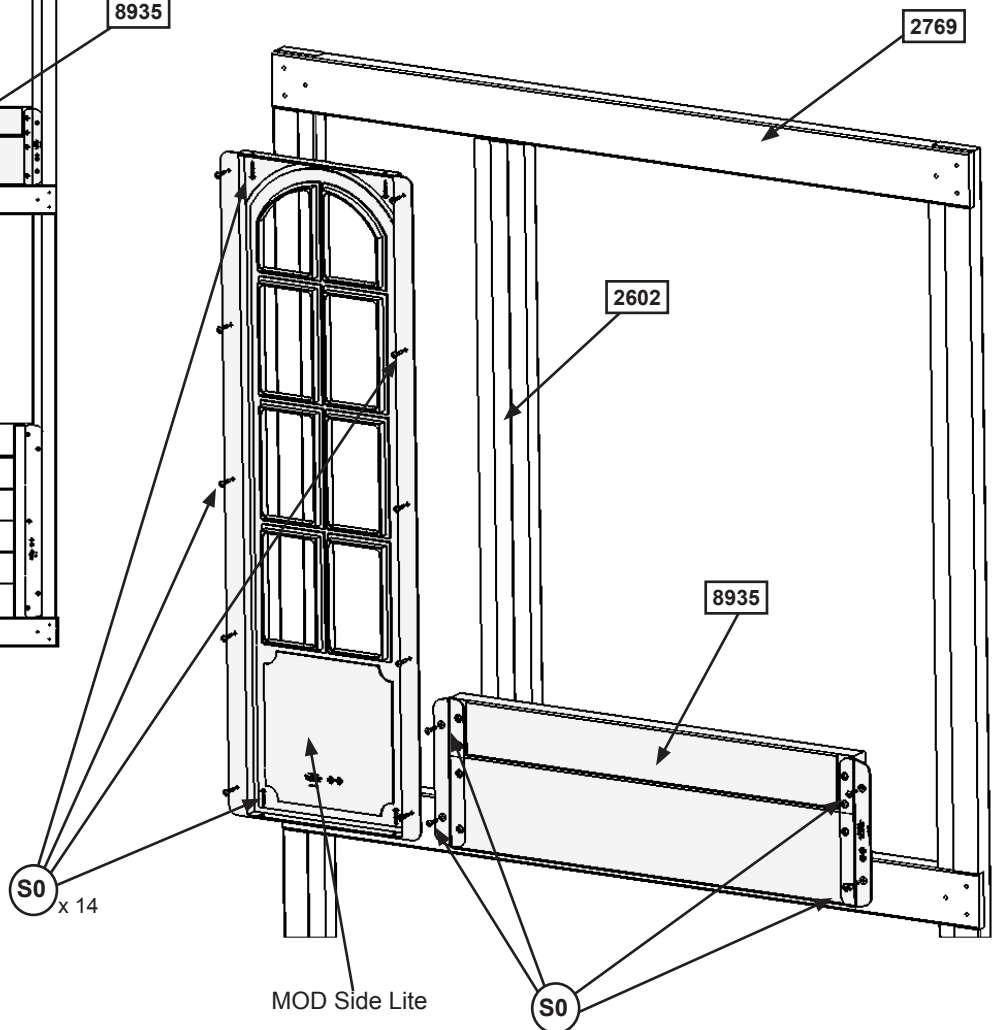


Fig. 29.2
Inside View



Wood Parts

1 x 8935 Lower SL Insert

Hardware

18 x S0 Truss Screw

Other Parts

1 x MOD Side Lite

Step 30: Slide Section Assemblies Part 1



Note: When installing Pan Bolts make sure to look at holes so bolts go through the side with the round recess and the lock nuts go through the side with the hexagonal recess. (fig. 30.3)

A: Fit 2 TNR2 Slide Elbows together and attach with 8 (PB1) Pan Bolts (with lock nut) as shown in fig. 30.1. It is very important to attach bolts as indicated.

B: Repeat Step A 3 more times to create 4 Elbow Sections in total.

C: Attach TNR3 Extend Flange RT and TNR3 Extend Flange LT together using 9 (PB1) Pan Bolts (with lock nut) as shown in fig. 30.2. This creates the Flange Assembly.

Fig. 30.1

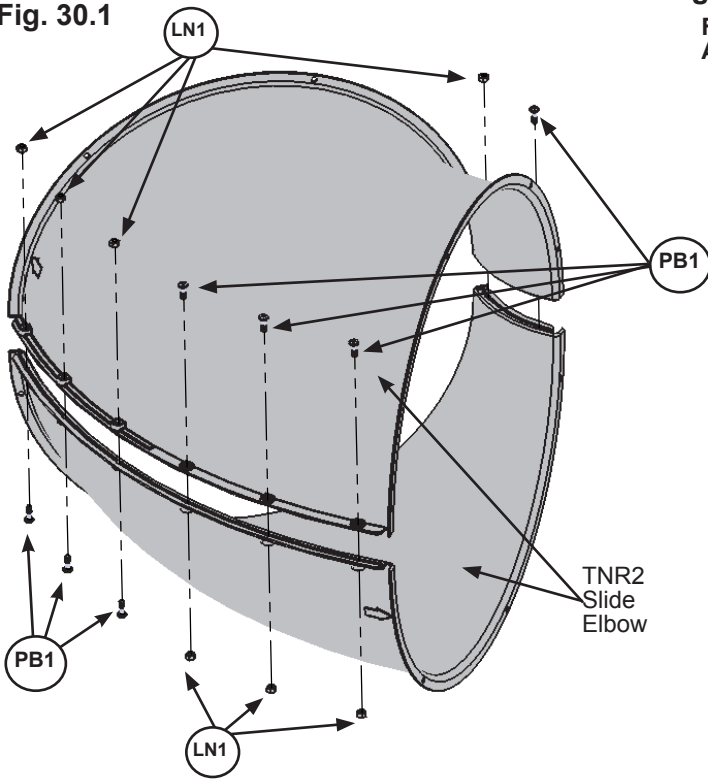


Fig. 30.2

Flange Assembly

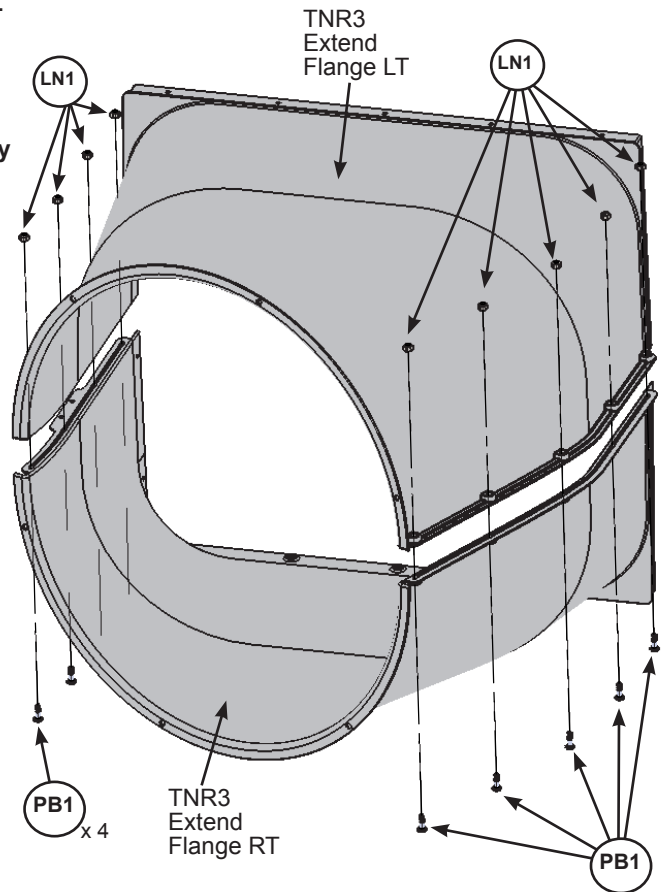
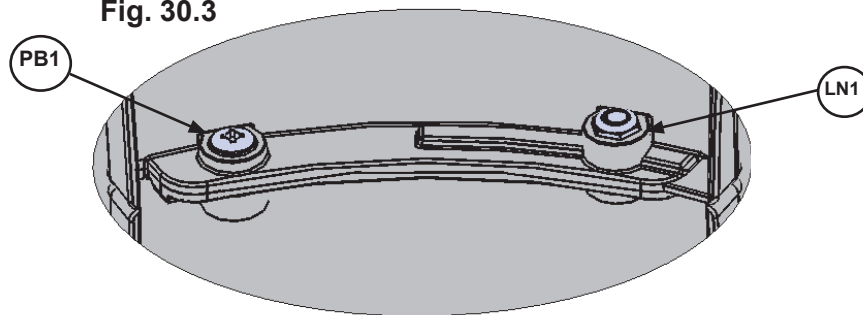


Fig. 30.3



Use a 7/16" open end wrench for nuts

Hardware

41 x (PB1) Pan Bolt (lock nut)

Other Parts

1 x TNR3 Extend Flange RT
1 x TNR3 Extend Flange LT
8 x TNR2 Slide Elbow

Step 30: Slide Section Assemblies

Part 2

Note: When installing Pan Bolts make sure to look at holes so bolts go through the side with the round recess and the lock nuts go through the side with the hexagonal recess. (fig. 30.3)

D: Attach TNR2 Slide Exit Top and the remaining TNR2 Slide Elbow together using 8 (PB1) Pan Bolts (with lock nut) as shown in fig. 30.4. It is very important to attach bolts as indicated. This creates the Exit Elbow Assembly.

Fig. 30.4

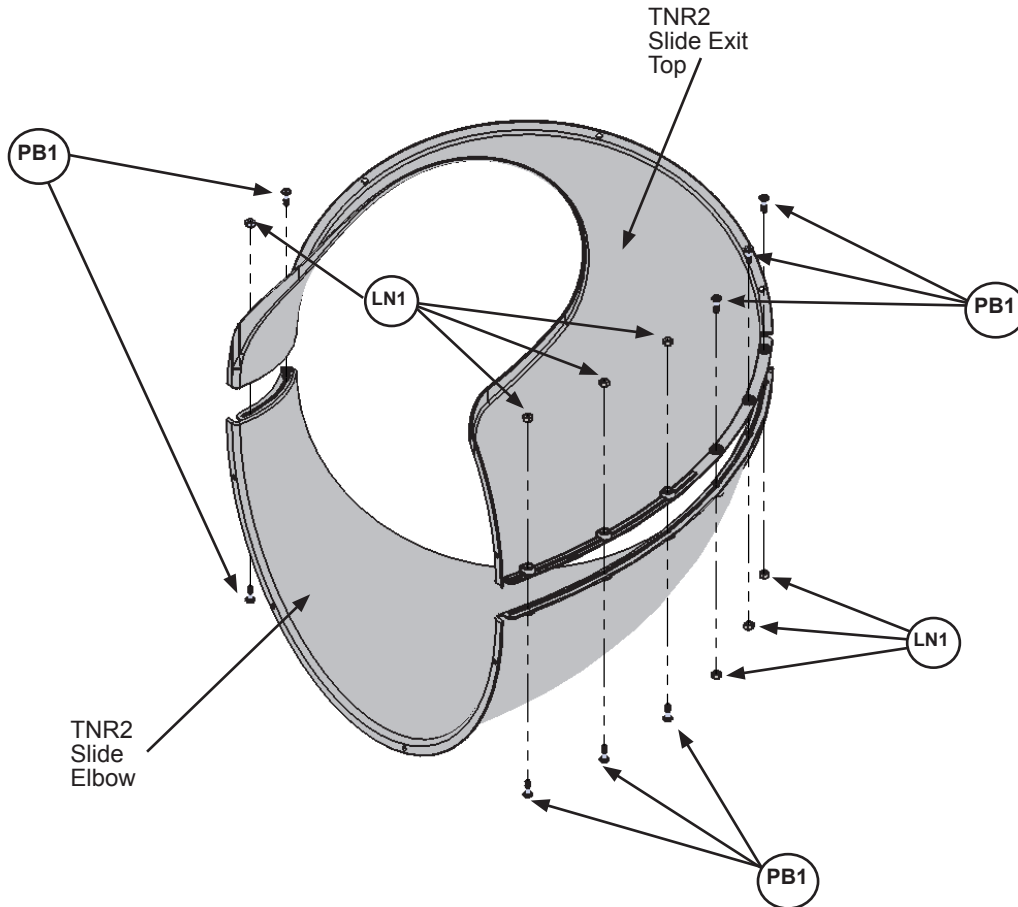
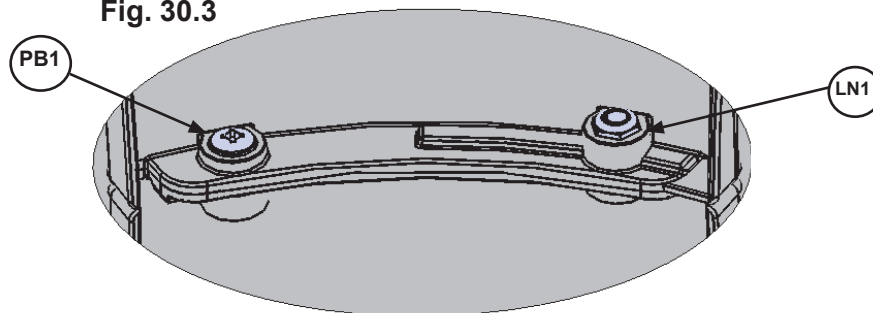


Fig. 30.3



Hardware

8 x  Pan Bolt (lock nut)

Other Parts

1 x TNR2 Slide Exit Top
1 x TNR2 Slide Elbow

Step 31: Attach Flange Assembly to Fort Part 1



A: With a helper place the Flange Assembly flush to the top opening in End Wall as shown in fig. 32.1 and the Fort Guide, then pre-drill 1/8" pilot holes in (8935) Lower SL Insert for the 4 bottom mounting locations (approximate spots where circles are on figure), making sure the pre-drilled holes are a minimum of 1" deep. (fig. 31.2)

B: Attach Flange Assembly to (8935) Lower SL Insert using 4 (S7) Pan Screws (with #12 Screw Bezel) in the pre-drilled holes. (fig. 31.2) Make sure the flat surfaces of the Flange Assembly are flush to the End Wall and (2602) Upper Jamb as shown in fig. 31.3.

C: Attach the Flange Assembly flush to bottom of (2769) Panel BT Frame using 4 (S6) Pan Screws (with #12 Screw Bezel) and to (2602) Upper Jamb and side of End Wall using 5 (S6) Pan Screws per side. (fig. 31.2)

Fig. 31.2
Inside View

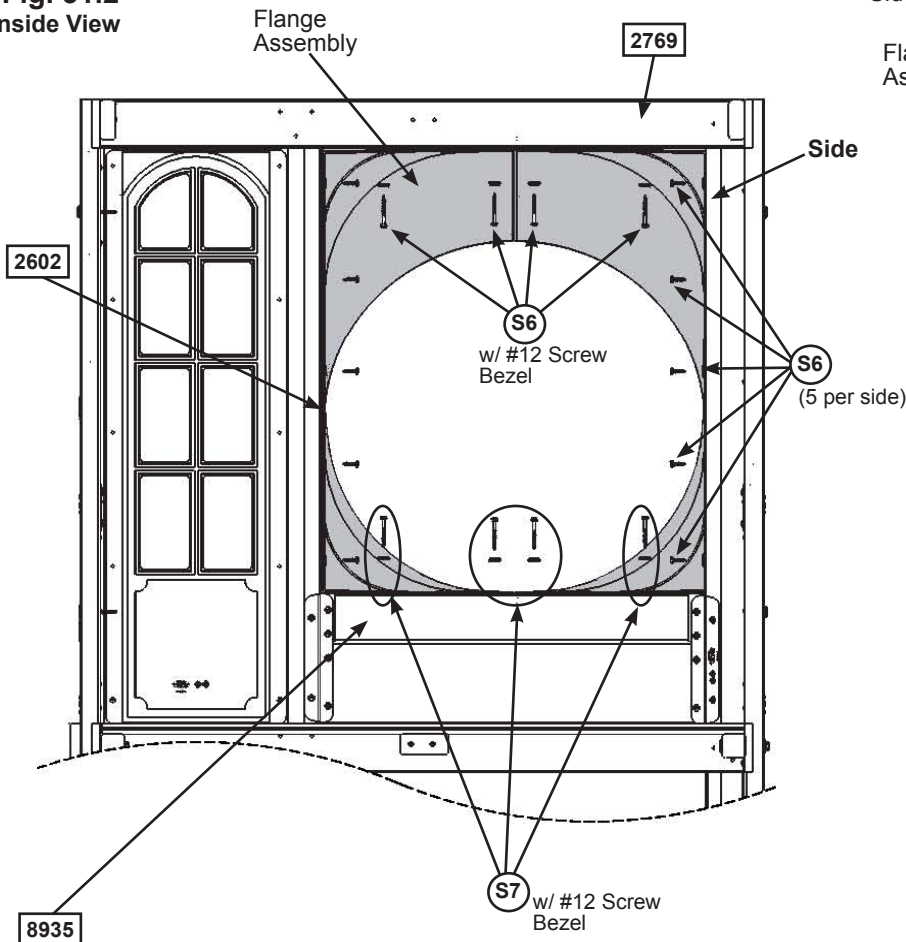


Fig. 31.1
Outside View

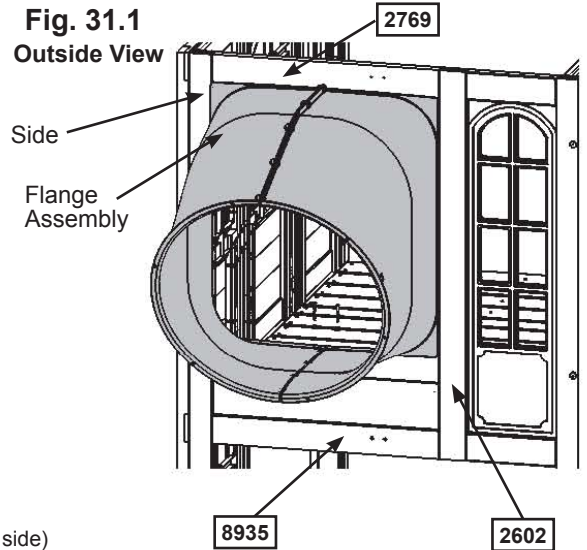
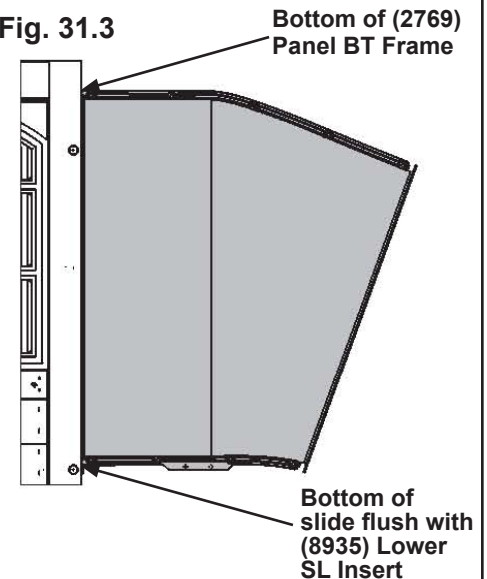


Fig. 31.3



Hardware

- 14 x (S6) Pan Screw
- 4 x (S7) Pan Screw
- 8 x #12 Screw Bezel

Step 31: Attach Flange Assembly to Fort Part 2



D: Place (8934) SL Gusset tight to (2768) Panel Floor, flush to the top of the bottom opening and attach to Flange Assembly with 2 (S6) Pan Screws. (fig. 31.4 and 31.5)

E: Pre-drill pilot hole with a 3/16" (4.8 mm) drill bit then attach (8934) SL Gusset to (2768) Panel Floor with 1 (WL5) Wafer Lag (with flat washer). (fig. 31.4 and 31.5)

Fig. 31.4

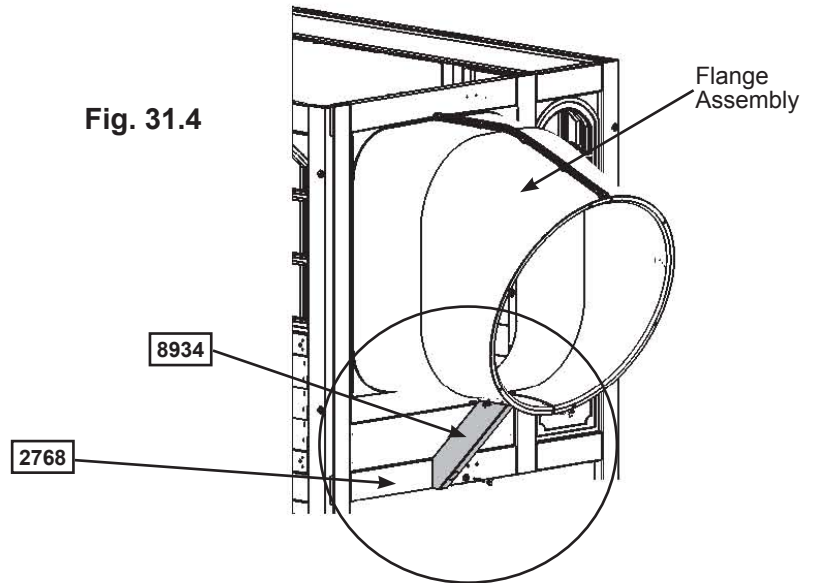
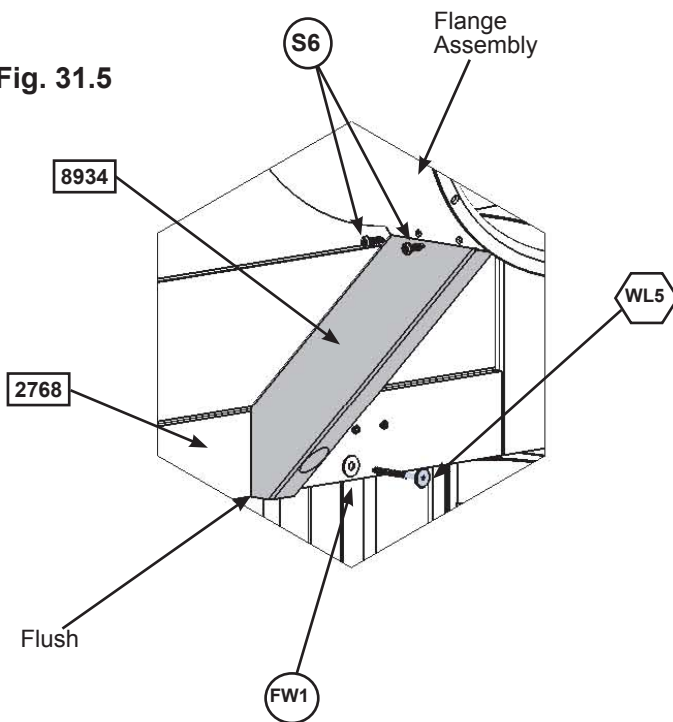


Fig. 31.5



Wood Parts

1 x SL Gusset

Hardware

2 x Pan Screw

1 x Wafer Lag (flat washer)

Step 32: Attach Elbow Assembly to Flange Assembly Part 1



Note: When installing Pan Bolts make sure to look at holes so bolts go through the side with the round recess and the lock nuts go through the side with the hexagonal recess. Keep all bolts loose until further step.

A: Fit one of the Elbow Assemblies to the Flange Assembly by lining up the arrows on each assembly. (fig. 32.2 and 32.3)

B: Attach 1 TNR2 Slide Clamp Ring to the top of the joined Assemblies using 3 (PB1) Pan Bolts (with lock nut), making sure to match the arrows up with the end of the clamp ring (where a seam will be) as shown in fig. 32.2 and 32.3.

Use Quadrex Driver as a guide pin for each hole before inserting bolt. (fig. 32.3)

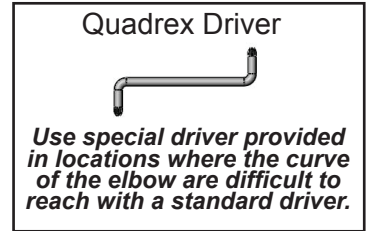


Fig. 32.4



Do not install bolt in Clamp Ring ends until Step 32D

Fig. 32.1

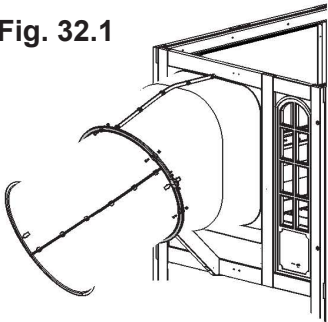


Fig. 32.3

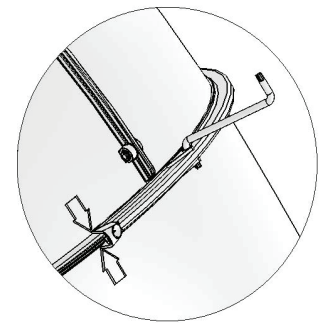
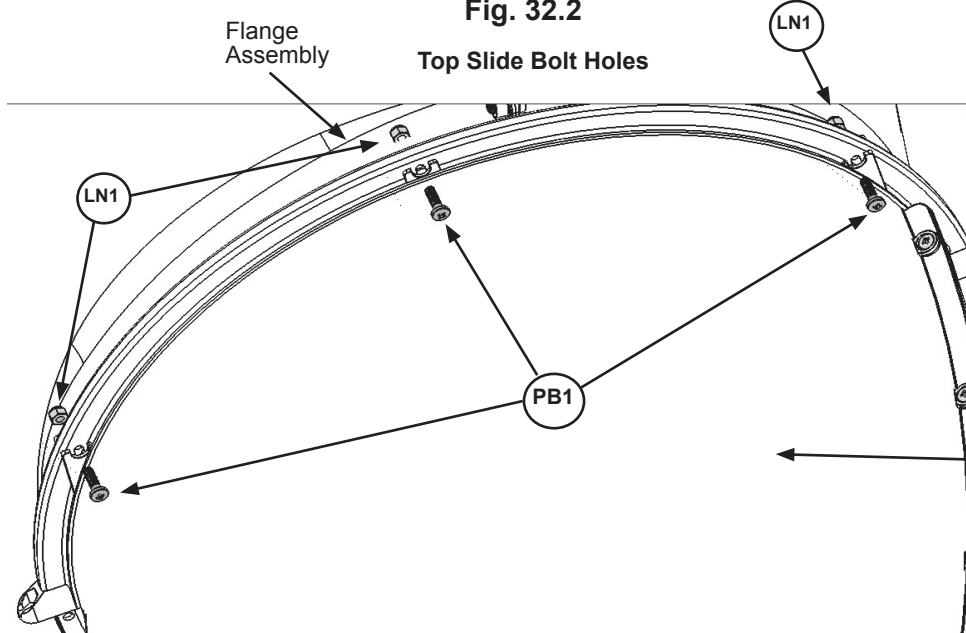


Fig. 32.2



Align each elbow using the molded arrows with the seam of the clamp ring.

Elbow Assembly

Hardware

3 x  Pan Bolt (lock nut)

Other Parts

1 x Quadrex Driver
1 x TNR2 Slide Clamp Ring

Step 32: Attach Elbow Assembly to Flange Assembly Part 2



Note: When installing Pan Bolts make sure to look at holes so bolts go through the side with the round recess and the lock nuts go through the side with the hexagonal recess. Keep all bolts loose until further step.

C: Attach 1 TNR2 Slide Clamp Ring to the bottom of the joined Assemblies using 2 (PB1) Pan Bolts (with lock nut) on one side and 1 (PB1) Pan Bolt (with lock nut) in the other side, making sure to match the arrows up with the end of the clamp ring (where a seam will be) as shown in fig. 32.5, 32.6 and 32.7.

D: Connect the 2 TNR2 Slide Clamp Rings together in 2 spots using 1 (PB1) Pan Bolt (with lock nut) per hole. Make sure seams and arrows line up and then tighten all bolts. (fig. 32.8 and 32.9).

Fig. 32.5

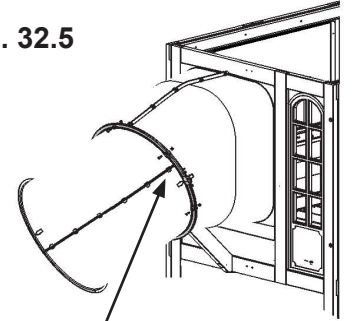


Fig. 32.6

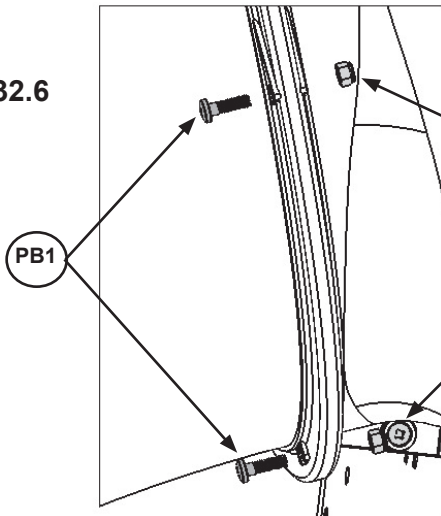


Fig. 32.7 (Side not shown)

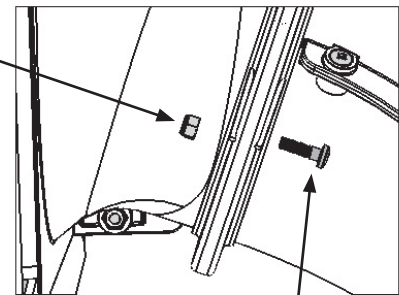


Fig. 32.8

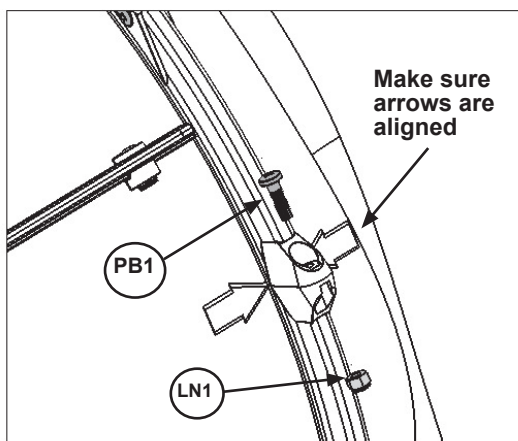
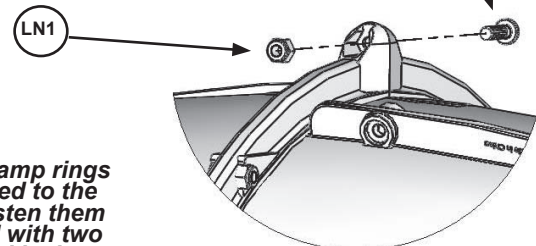


Fig. 32.9



After the clamp rings are attached to the elbows, fasten them end to end with two pan bolts and lock nuts

Hardware

5 x  Pan Bolt (lock nut)

Other Parts

1 x TNR2 Slide Clamp Ring

Step 33: Attach Elbow Assembly to Elbow Assembly Part 1



Note: When installing Pan Bolts make sure to look at holes so bolts go through the side with the round recess and the lock nuts go through the side with the hexagonal recess. Keep all bolts loose until further step.

A: Fit a second Elbow Assembly to the first Elbow Assembly by lining up the arrows on each assembly. Notice the elbow orientation. (fig. 33.1)

B: Attach 1 TNR2 Slide Clamp Ring to the top of the joined Assemblies using 3 (PB1) Pan Bolts (with lock nut), making sure to match the arrows up with the end of the clamp ring (where a seam will be) as shown in fig. 33.2 and 33.3.

Use Quadrex Driver as a guide pin for each hole before inserting bolt.

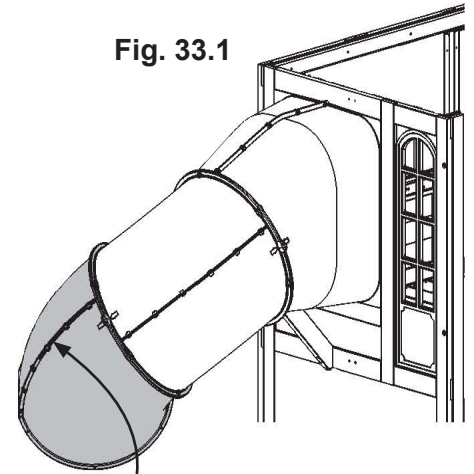
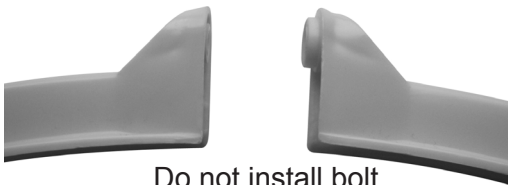


Fig. 33.1

Notice elbow orientation



Do not install bolt in Clamp Ring ends until Step 33D

Fig. 33.2

Top Slide Bolt Holes

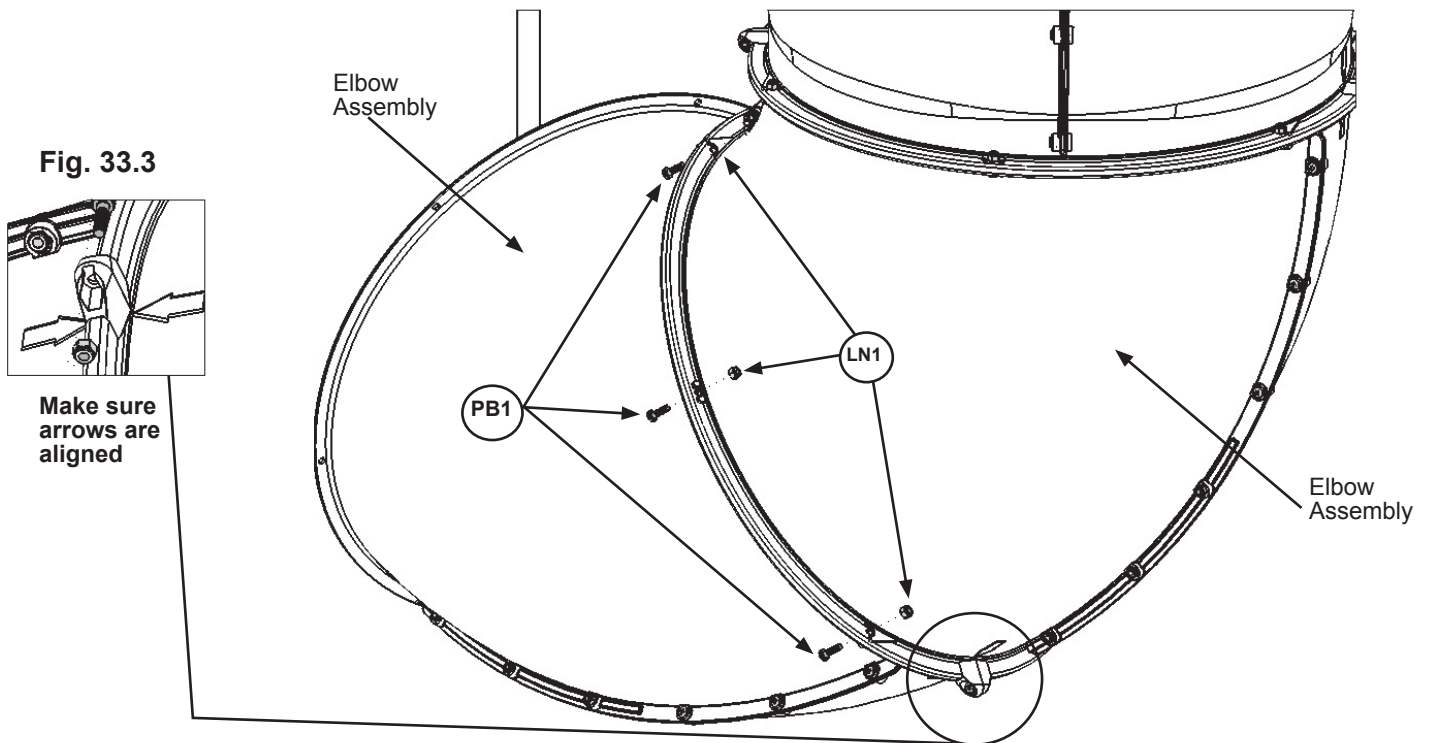


Fig. 33.3

Make sure arrows are aligned

Hardware

3 x  Pan Bolt (lock nut)

Other Parts

1 x TNR2 Slide Clamp Ring

Step 33: Attach Elbow Assembly to Elbow Assembly

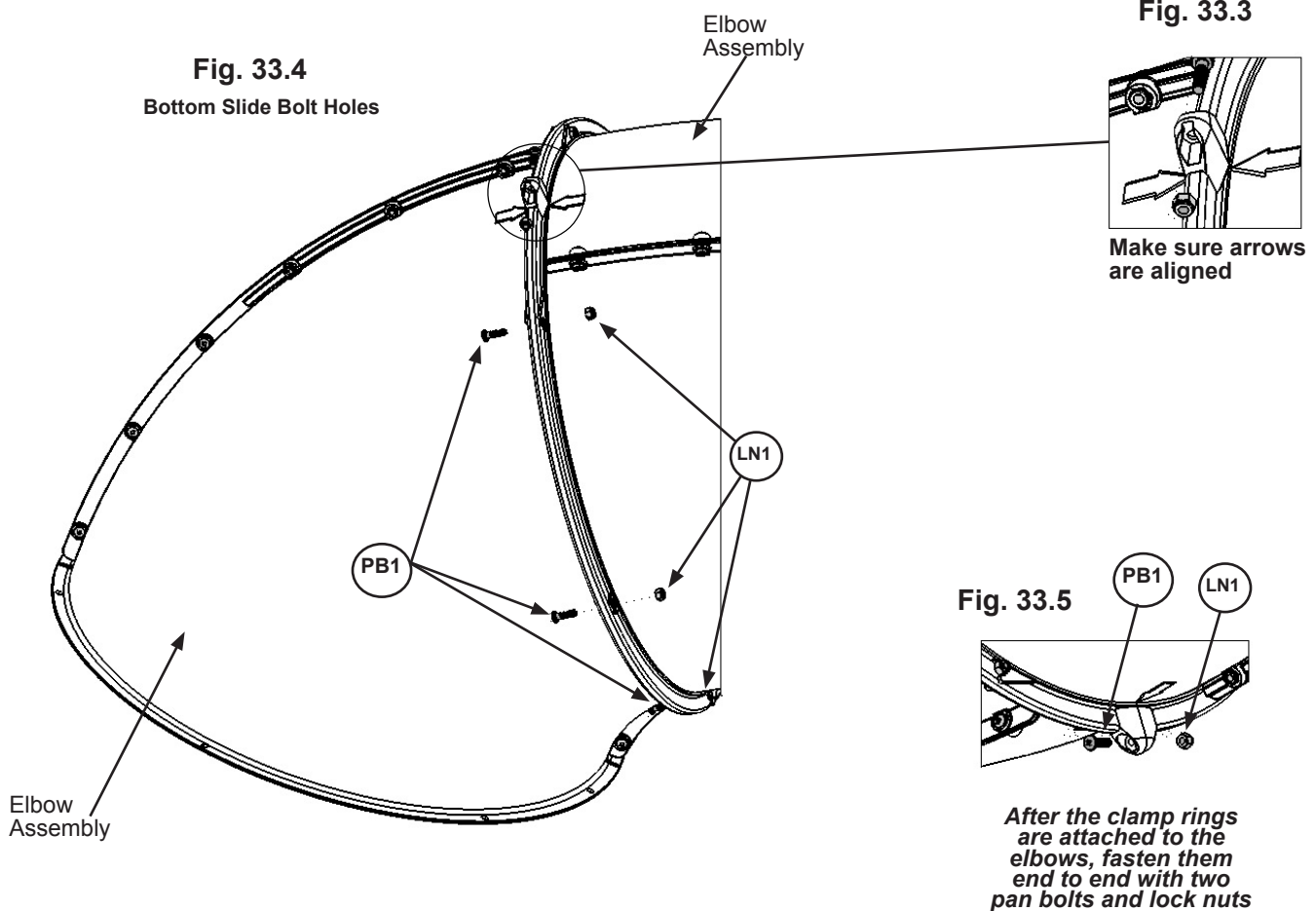
Part 2



Note: When installing Pan Bolts make sure to look at holes so bolts go through the side with the round recess and the lock nuts go through the side with the hexagonal recess. Keep all bolts loose until further step.

C: Attach 1 TNR2 Slide Clamp Ring to the bottom of the joined Assemblies using 3 (PB1) Pan Bolts (with lock nut), making sure to match the arrows up with the end of the clamp ring (where a seam will be) as shown in fig. 33.3 and 33.4.

D: Connect the 2 TNR2 Slide Clamp Rings together in 2 spots using 1 (PB1) Pan Bolt (with lock nut) per hole. Make sure seams and arrows line up and then tighten all bolts. (fig. 33.3 and 33.5).



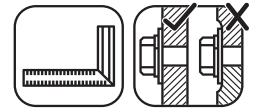
Hardware

5 x  Pan Bolt (lock nut)

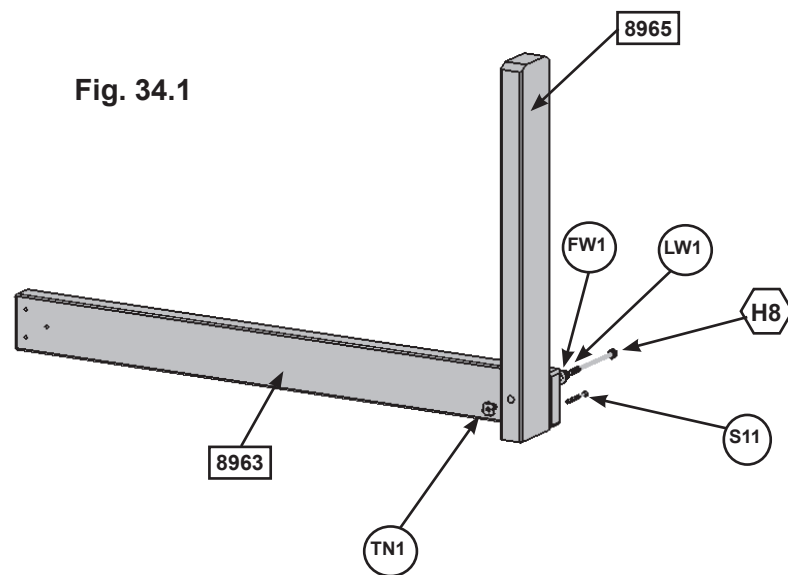
Other Parts

1 x TNR2 Slide Clamp Ring



Step 34: TNR Brace Assembly





A: Attach (8965) TNR Upright to (8963) TNR Ground Brace with 1 (H8) Hex Bolt (with lock washer, flat washer and t-nut) in the top hole. Make sure both boards are square then attach with 1 (S11) Wood Screw. (fig. 34.1)



Wood Parts

- 1 x  TNR Ground Brace
- 1 x  TNR Upright

Hardware

- 1 x  Wood Screw
- 1 x  Hex Bolt (lock washer, flat washer, t-nut)

Step 35: Attach Elbow Assemblies and TNR2 Slide Support



Note: When installing Pan Bolts make sure to look at holes so bolts go through the side with the round recess and the lock nuts go through the side with the hexagonal recess. Keep all bolts loose until further step.

A: Attach the two remaining Elbow Assemblies as instructed in Steps 32 and 33.

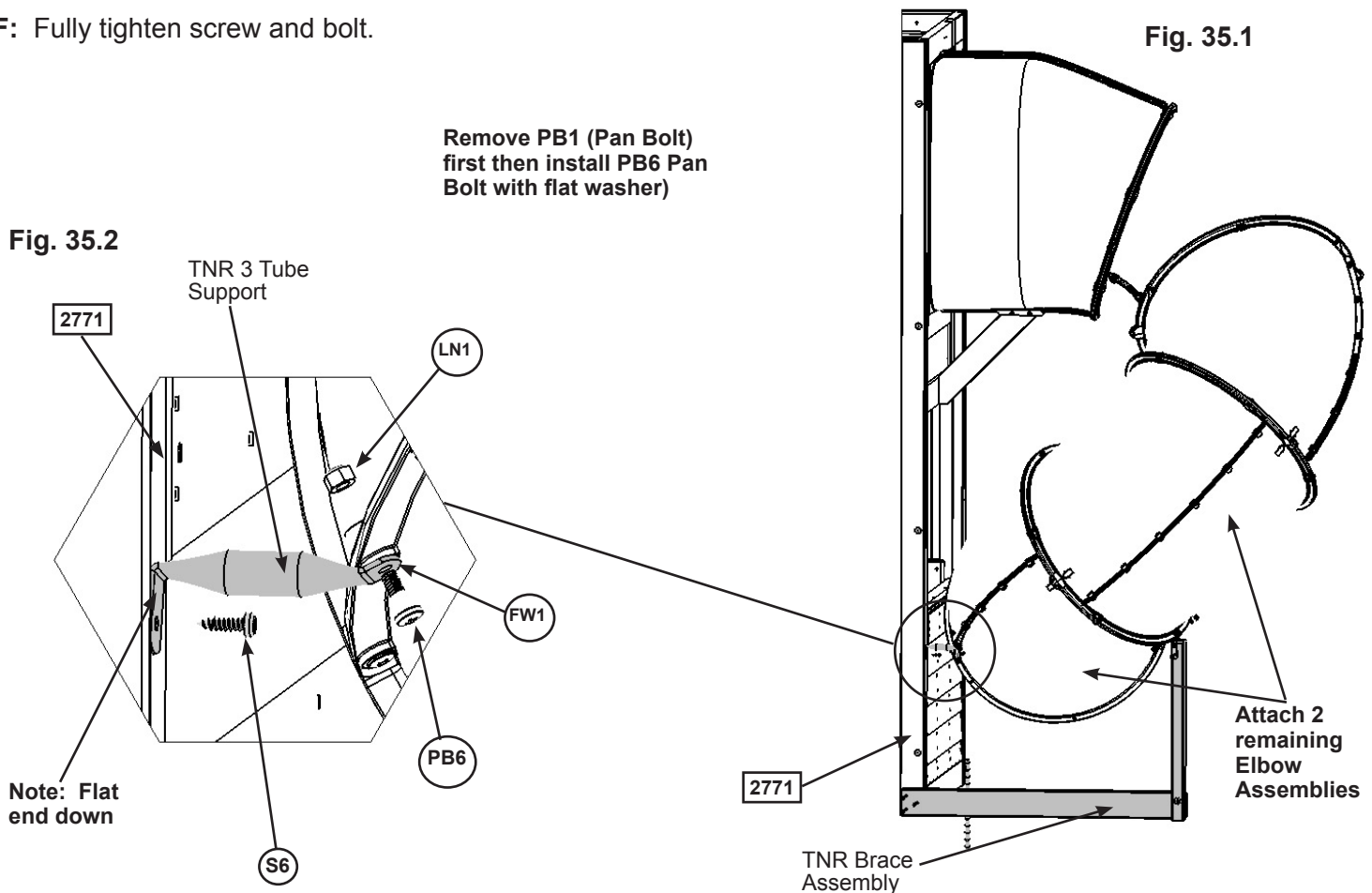
B: Place TNR Brace Assembly against (2771) End Post Left so it sits under the slide. It is not attached yet. (fig. 35.1)

C: On the fourth Elbow Assembly attached remove the pan bolt and nut which is facing the fort (installed in Step 30). (fig. 35.1) **The bolt will no longer be needed, but keep the lock nut.**

D: Loosely attach TNR3 Tube Support (at the slightly bent end) to the Clamp Ring using 1 (PB6) Pan Bolt (with flat washer and the previously removed lock nut). (fig. 35.2)

E: Rotate TNR3 Tube Support and attach to (2771) End Post Left using 1 (S6) Pan Screw as shown in fig. 35.2.

F: Fully tighten screw and bolt.



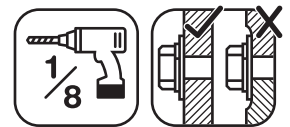
Hardware

- 1 x (S6) Pan Screw
- 1 x (PB6) Pan Bolt (flat washer & lock nut - previously removed)
- 16 x (PB1) Pan Bolt (lock nut)

Other Parts

- 1 x TNR3 Tube Support
- 4 x TNR2 Slide Clamp Ring

Step 36: Attach TNR Brace Assembly



A: Use (8965) TNR Upright as a guide to judge the proper bolt location, remove the bottom pan bolt and nut. **The bolt will no longer be needed, but keep the lock nut.** (fig. 36.1 and 36.2)

B: Attach the top of the TNR3 Post Mount to TNR2 Slide Clamp Ring using 1 (PB2) Pan Bolt (with the previously removed lock nut and 1 flat washer). (fig. 36.2)

C: Insert TNR3 Post Mount on (8965) TNR Upright, pre-drill with a 1/8" drill bit then attach with 2 (S6) Pan Screws. (fig. 36.2)

D: Remove (H8) Hex Bolt from bottom of (2771) End Post then attach (8963) TNR Ground Brace flush to the bottom of (2618) Front Back Panel with 2 (S11) Wood Screws and 1 (S4) Wood Screw. (fig. 36.1 and 36.3)

Fig. 36.1

Remove PB1 (Pan Bolt) first then install PB2 Pan Bolt with previously removed lock nut)

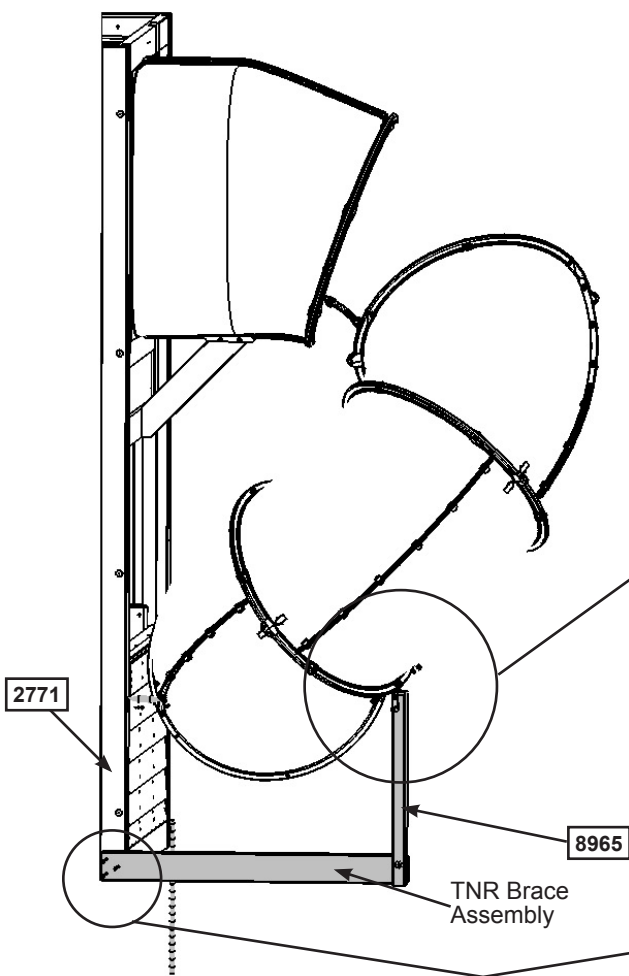


Fig. 36.2

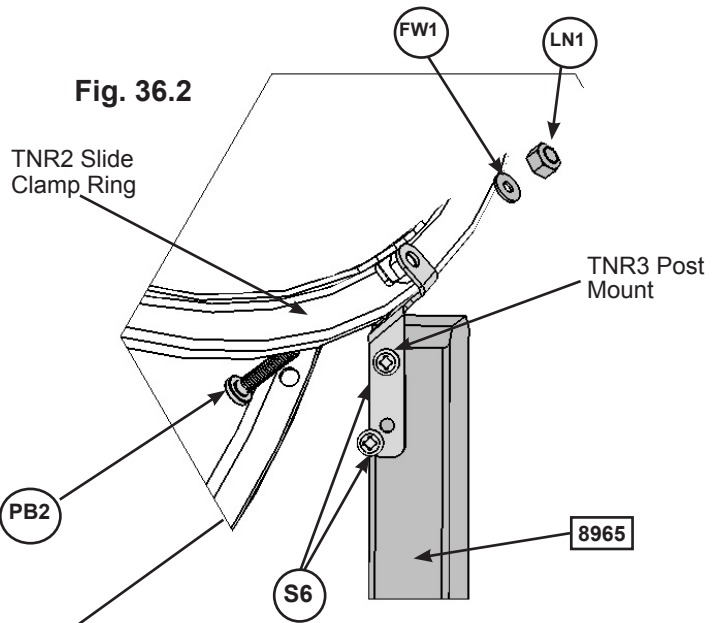
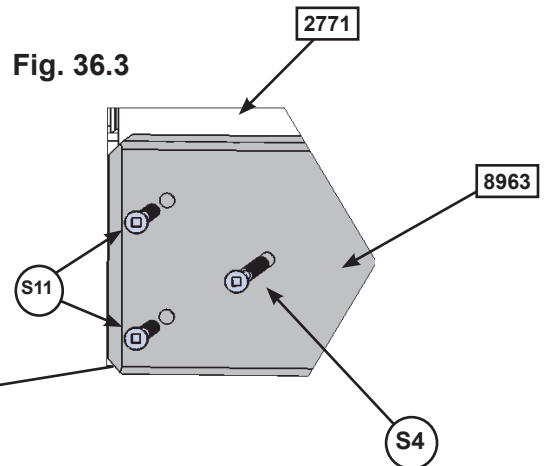


Fig. 36.3

Remove H9 (Hex Bolt) first from post then attach TNR Brace Assembly



Hardware

- 1 x (PB2) Pan Bolt (flat washer, lock nut - previously removed)
- 2 x (S6) Pan Screw
- 1 x (S4) Wood Screw
- 2 x (S11) Wood Screw

Other Parts

- 1 x TNR3 Post Mount

Step 37: Attach TNR2 Slide Exit to Exit Elbow Assembly



A: Insert flange of Exit Elbow Assembly (slide elbow) into the slots on TNR3 Short Exit. (fig. 37.1)

B: Rotate Slide Exit and use Quadrex Driver as a guide pin so the holes are aligned and attach with 5 (PB1) Pan Bolts (with lock nuts) starting with the bottom middle hole and working up each side. (fig. 37.2 and 37.3)

C: At this point make sure all the slide bolts are tight. **Use a 7/16" (11.1 mm) open end wrench to hold nut and then tighten bolt with Quadrex Driver on Clamp Rings.**

Fig. 37.1

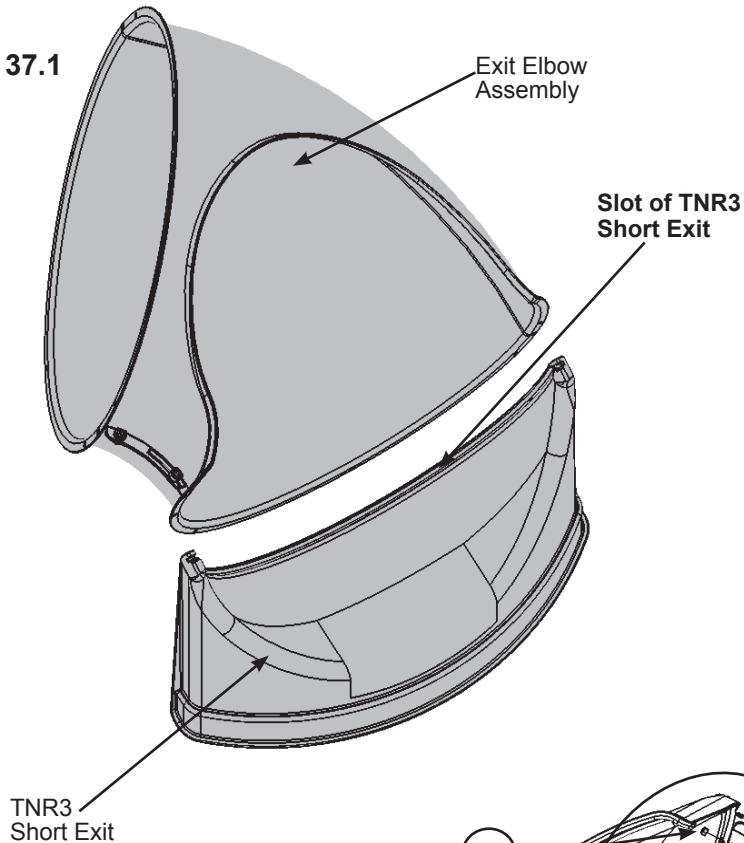


Fig. 37.3

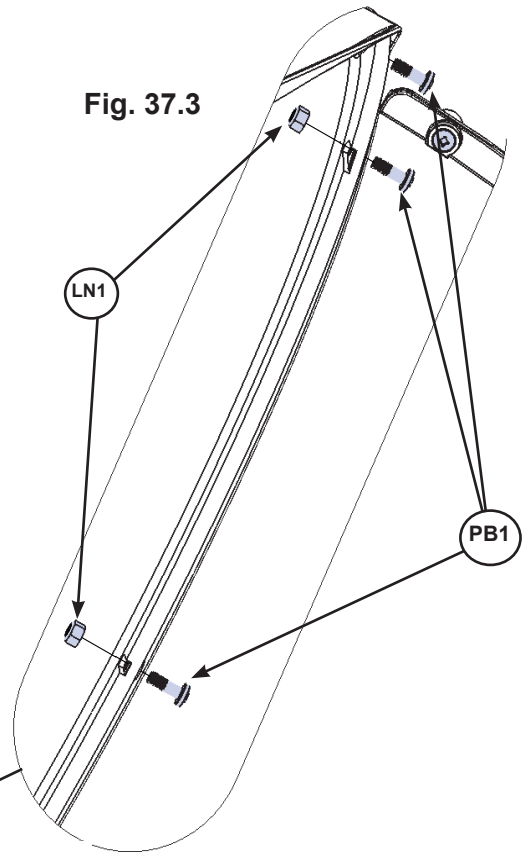
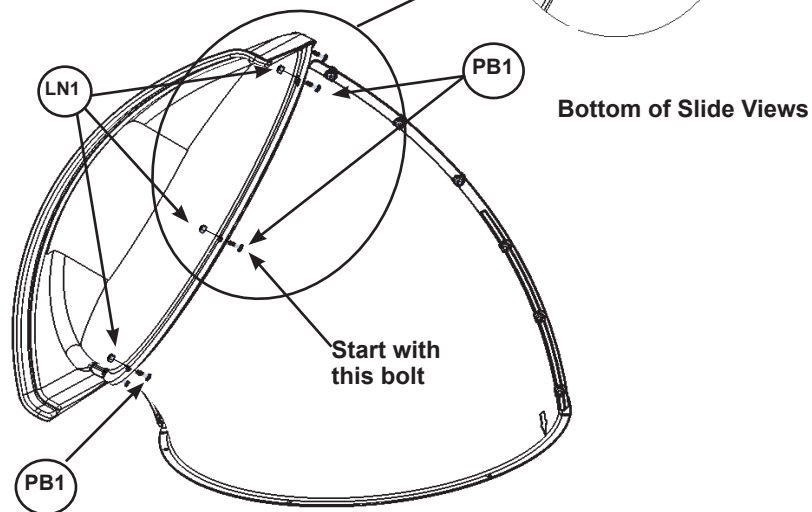


Fig. 37.2



Bottom of Slide Views

Hardware

5 x  Pan Bolt (1/4" lock nut)

Other Parts

1 x TNR3 Short Exit

Step 38: Attach Exit End Assembly to Fort



Note: When installing Pan Bolts make sure to look at holes so bolts go through the side with the round recess and the lock nuts go through the side with the hexagonal recess. Keep all bolts loose until further step.

A: Fit the Exit End Assembly to the last Elbow Assembly by lining up the arrows on each assembly. Notice the elbow orientation. (fig. 38.1)

B: Place 1 TNR2 Slide Clamp Ring to the top of the joined Assemblies, rotate counter clockwise 1 hole location then attach with 3 (PB1) Pan Bolts (with lock nut) as shown in fig. 38.1.

Use Quadrex Driver as a guide pin for each hole before inserting bolt.

C: Attach 1 TNR2 Slide Clamp Ring to the bottom of the joined Assemblies using 3 (PB1) Pan Bolts (with lock nut) as shown in fig. 38.2.

D: Connect the 2 TNR2 Slide Clamp Rings together in 2 spots using 1 (PB1) Pan Bolt (with lock nut) per hole. Make sure seams and arrows line up and then tighten all bolts. (fig. 38.3).

Fig. 38.1

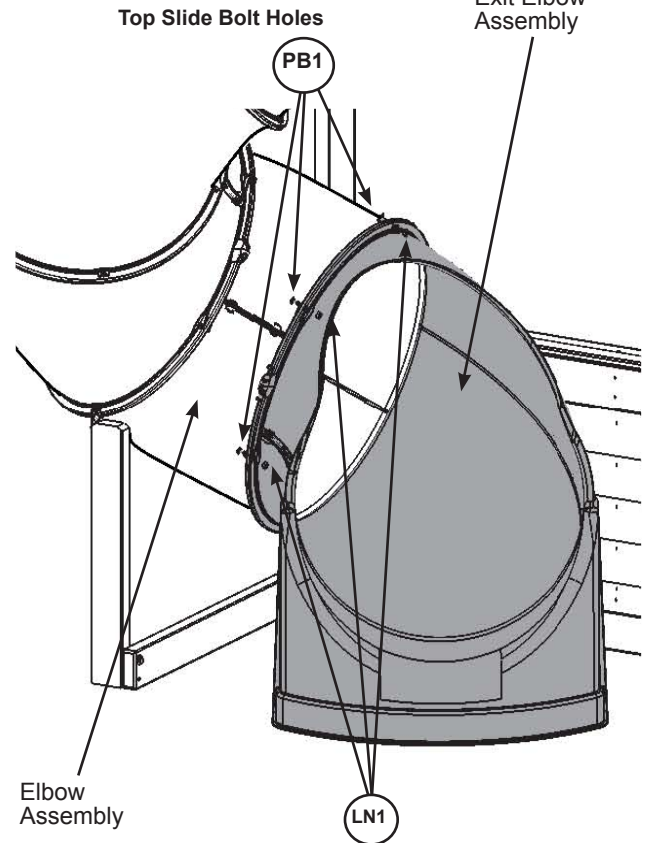


Fig. 38.2

Bottom Slide Bolt Holes

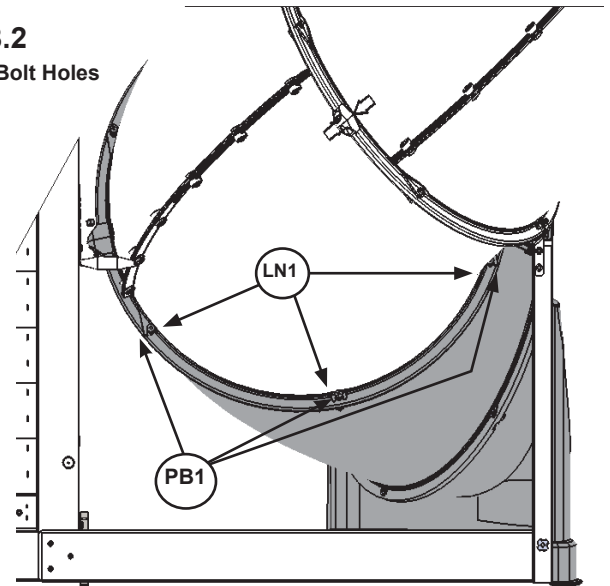
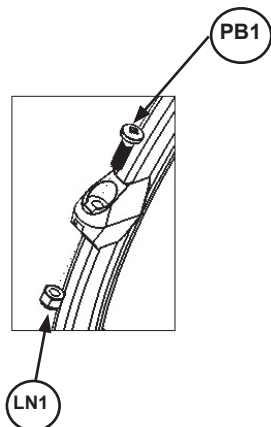


Fig. 38.3

After the clamp rings are attached to the elbows, fasten them end to end with two pan bolts and lock nuts



Hardware

8 x  Pan Bolt (lock nut)

Other Parts

2 x TNR2 Slide Clamp Ring

Step 39: Attach Ground Stake to TNR Upright

A: In the spot shown in fig. 39.1 drive 1 Rebar Ground Stake 13" (330 mm) into the ground against the (8965) TNR Upright. Be careful not to hit the washer while hammering stake into the ground as this could cause the washer to break off.

B: Attach the ground stake to (8965) TNR Upright just below the (TN1) T-nut using 1 (S7) Pan Screw as shown in fig. 39.2.

C: After driving stakes into the ground, check for sharp edges caused by the impact of the hammer. Smooth any sharp edges from impact area and touch up with outdoor paint.



Warning! To prevent tipping and avoid potential injury, stakes must be driven 13" into ground. Digging or driving stakes can be dangerous if you do not check first for under-ground wiring, cables or gas lines.

Fig. 39.1

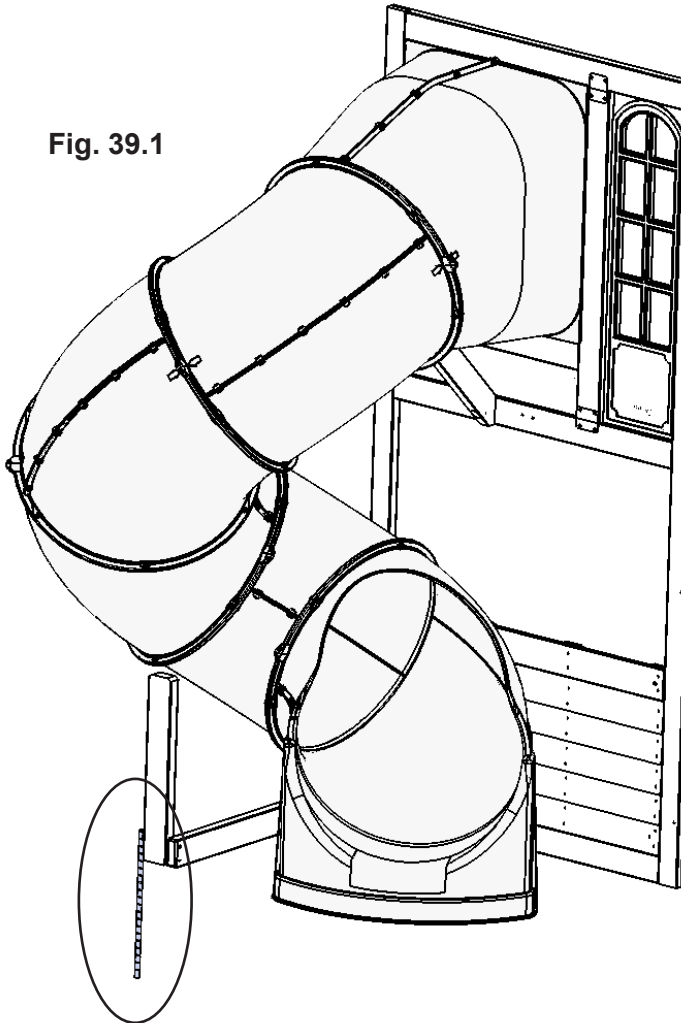
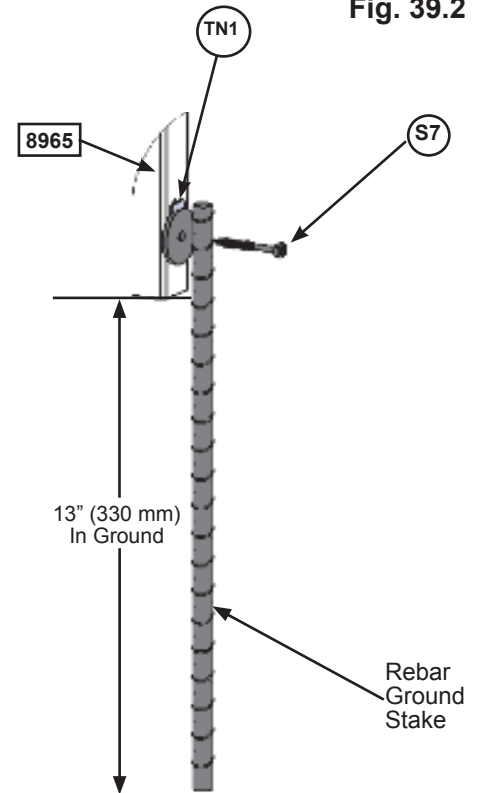


Fig. 39.2



Hardware

1 x  Pan Screw

Other Parts

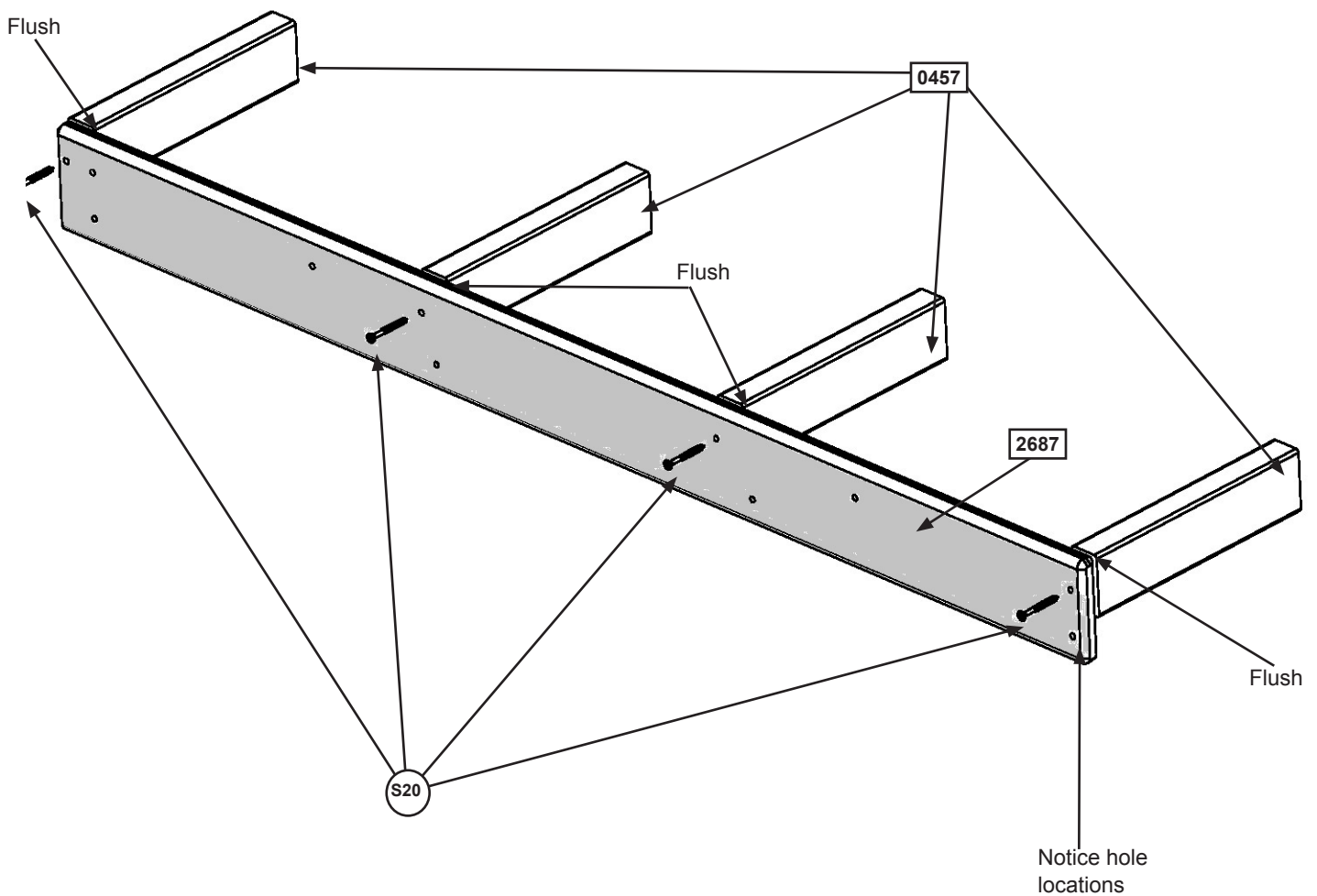
1 x Rebar Ground Stakes

Step 40: Counter Assembly Part 1

A: Flush to each end and to the top of (2687) Counter Back attach 1 (0457) Counter Joist per end with 1 (S20) Wood Screw per joist. Notice the remaining holes at the bottom of (2687) Counter Back. (fig. 40.1)

B: Place the remaining 2 (0457) Counter Joists centred over the pilot holes in the middle of (2687) Counter Back and flush to the top of the board, then attach, in the top holes, with 1 (S20) Wood Screw per joist. (fig. 40.1)

Fig. 40.1



Wood Parts

- 1 x 2687 Counter Back 1 x 4 x 40-5/8"
- 4 x 0457 Counter Joist 1 x 2 x 8-1/4"

Hardware

- 4 x S20 Wood Screw

Step 40: Counter Assembly Part 2

C: On the inside of the panel shown in the Fort Guide place Counter Assembly so the top of (2687) Counter Back is flush to the top of the opening then attach with 5 (S20) Wood Screws. (fig. 40.2 and 40.3)

Fig. 40.2
Outside View

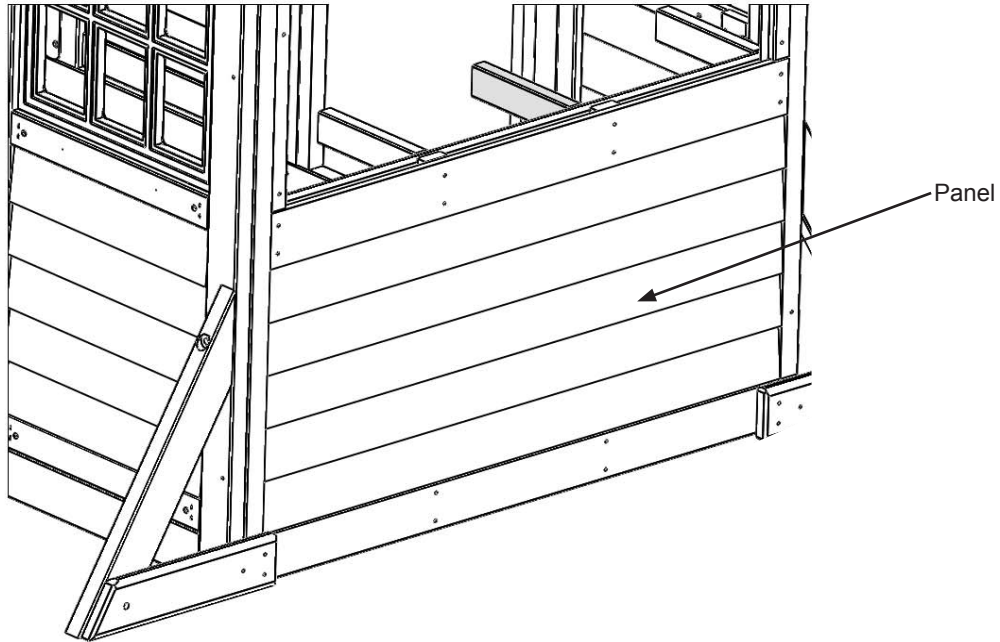
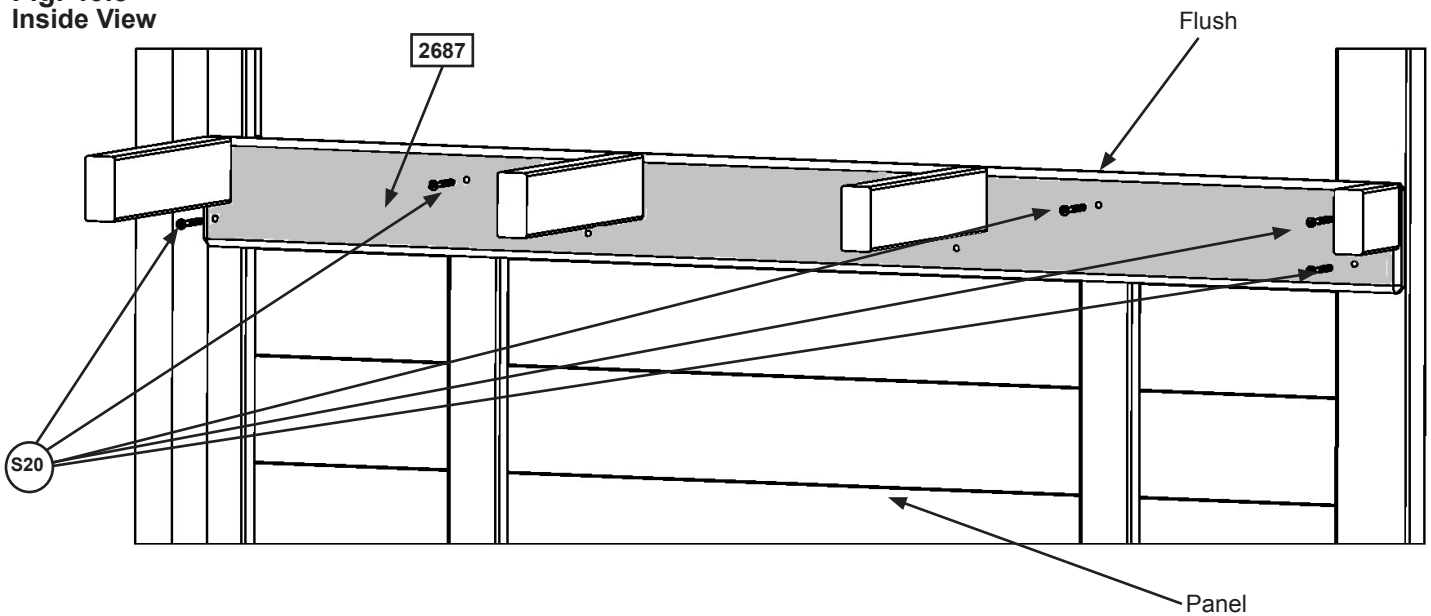


Fig. 40.3
Inside View



Hardware

5 x  Wood Screw

Step 40: Counter Assembly Part 3

D: Place 1 (0461) Counter Brace flush to the front and outside edge of each outer (0457) Counter Joist and tight to the panel then attach with 2 (S3) Wood Screws per brace. (fig. 40.4 and 40.5)

Fig. 40.4

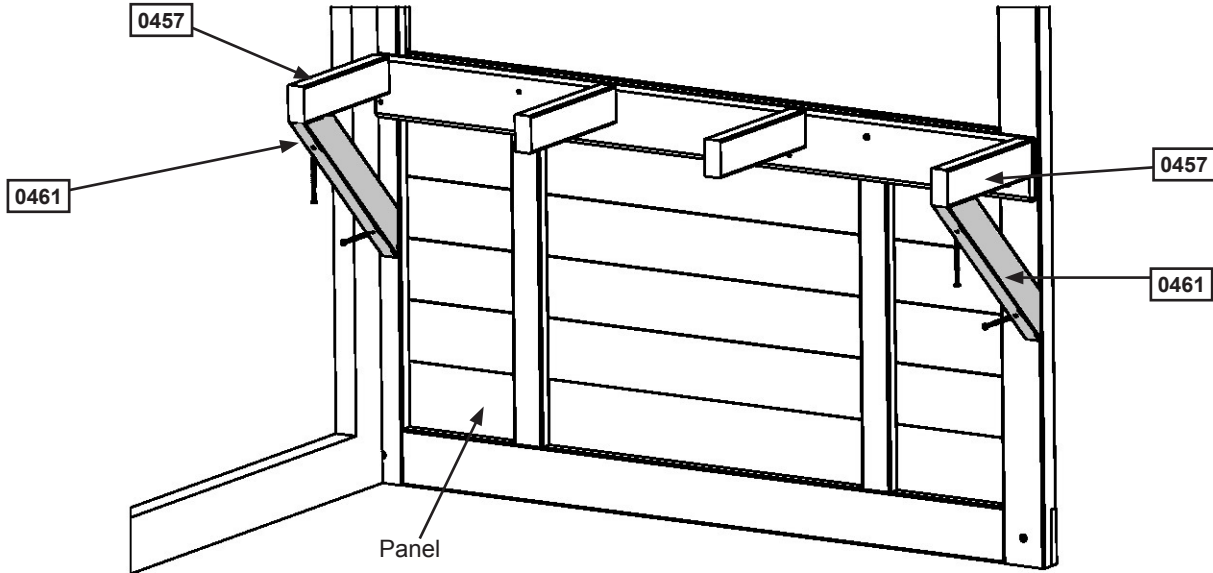
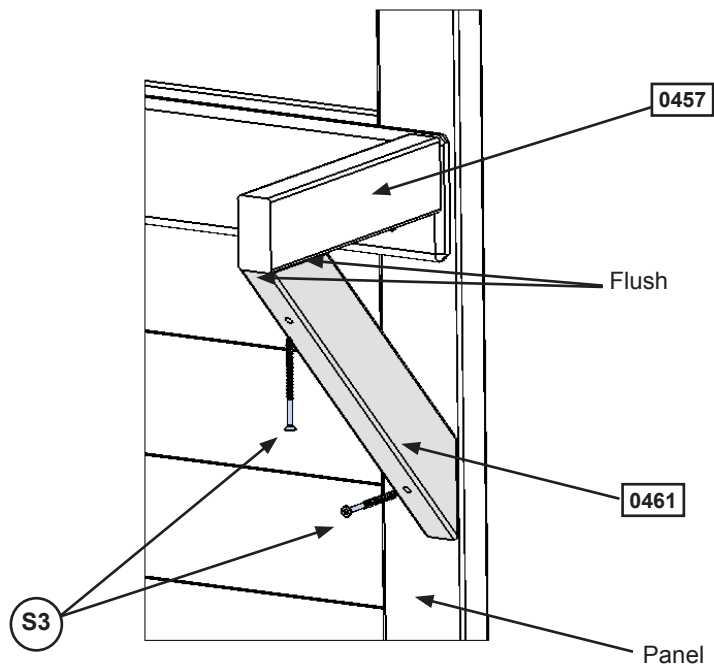


Fig. 40.5



Wood Parts

2 x 0461 Counter Brace

Hardware

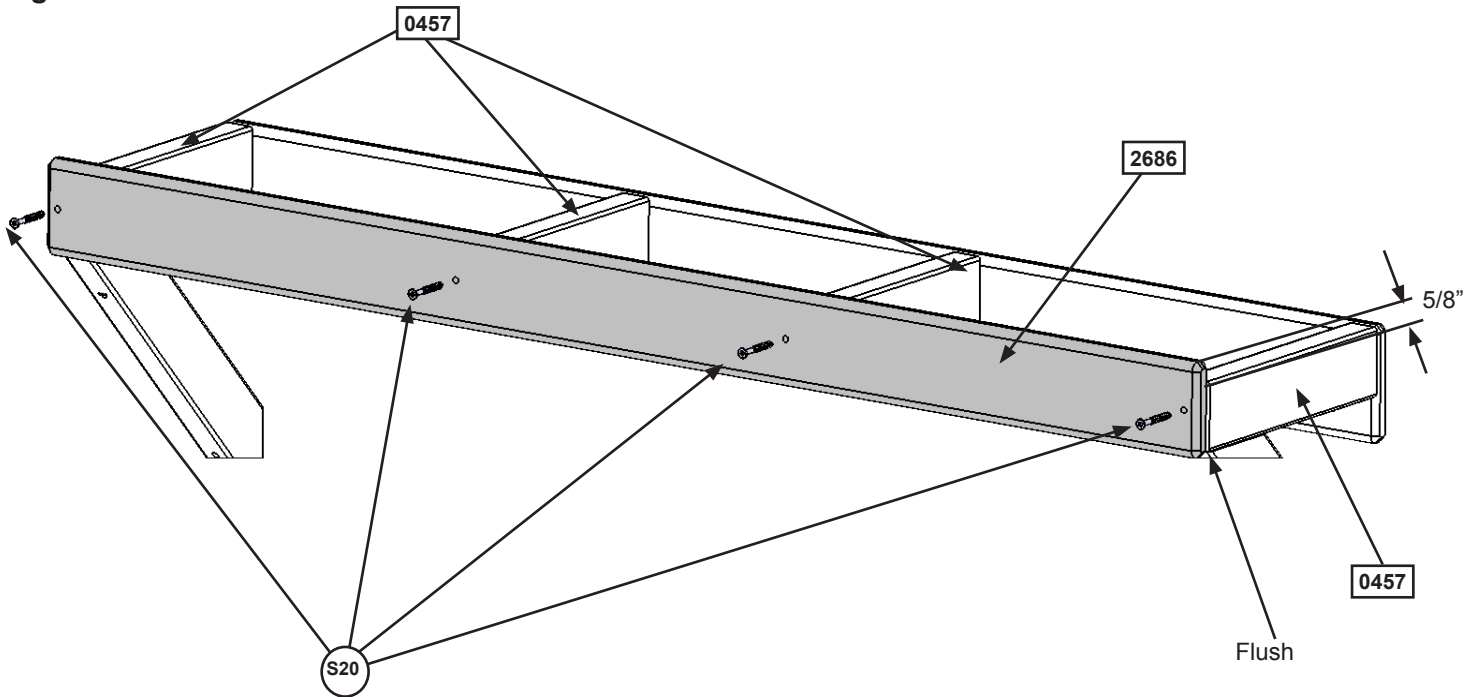
4 x S3 Wood Screw

Step 40: Counter Assembly Part 4



E: Place (2686) Counter Front against (0457) Counter Joists so the ends are flush and the centre (0457) Counter Joists are centred over the pilot holes. Measure 5/8" down from the top of (2686) Counter Front on both ends and attach to the (0457) Counter Joists with 4 (S20) Wood Screws. (fig. 40.6)

Fig. 40.6



Wood Parts

1 x **2686** Counter Front

Hardware

4 x **S20** Wood Screw

Step 40: Counter Assembly

Part 5

F: Tight to (2687) Counter Back attach (2685) Counter Top to each (0457) Counter Joist with 4 (TS) Trim Screws. (fig. 40.7)

G: Tight to (2685) Counter Top and flush to the outside edges of the outer (0457) Counter Joists attach 1 (0455) Counter Side per joist with 3 (TS) Trim Screws per board. (fig. 40.7)

H: Tight to (2685) Counter Top and centred over the middle 2 (0457) Counter Joists with ends flush to the outside edges attach 2 (2716) Counter Mid Tops with 4 (TS) Trim Screws per board. (fig. 40.7)

I: Attach (2685) Counter Top to the panel with 2 (TS) Trim Screws per board. (fig. 40.8)

Fig. 40.7

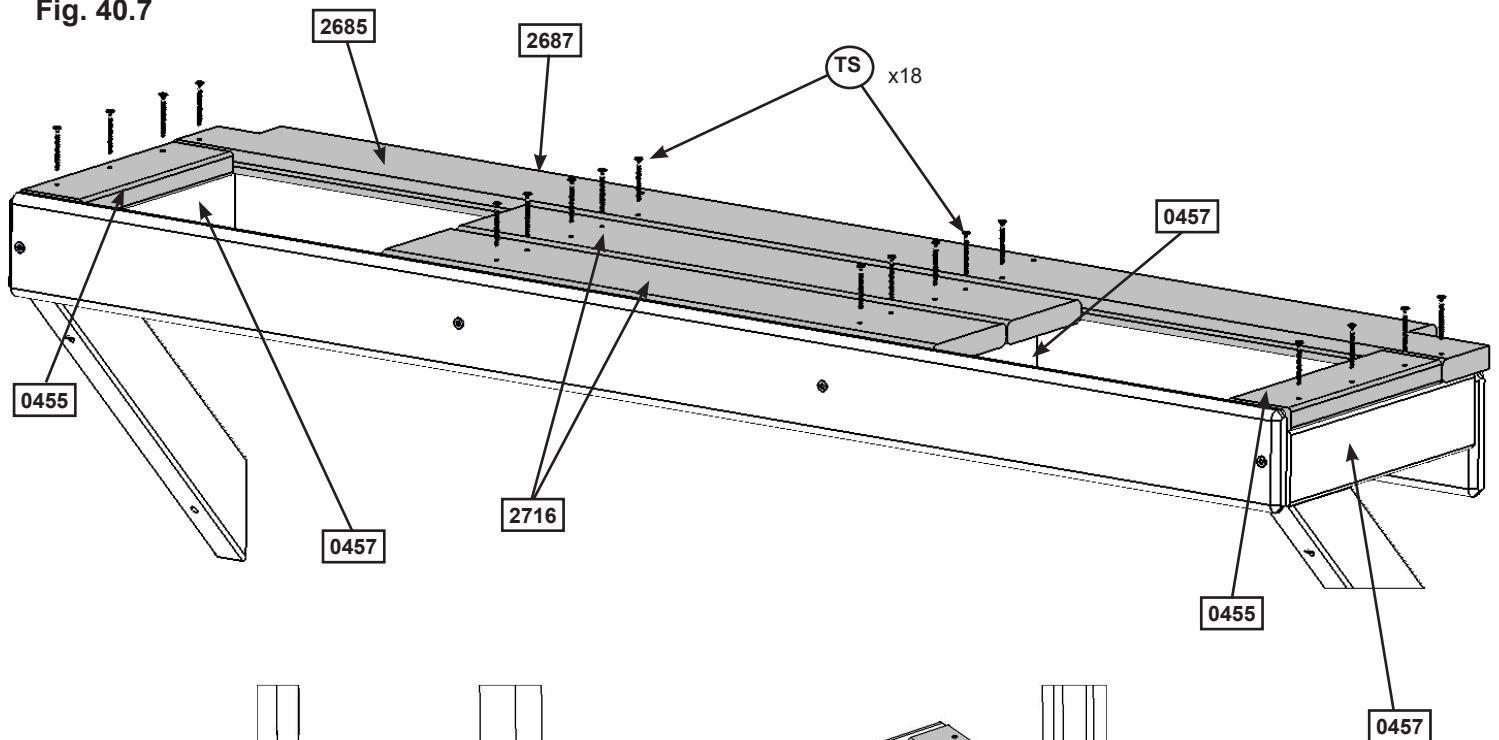
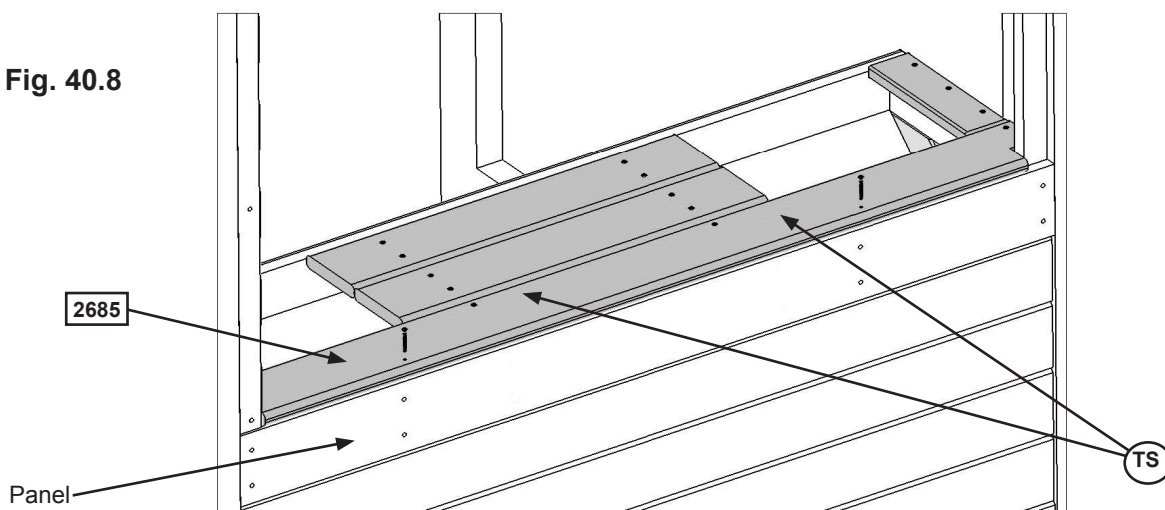


Fig. 40.8



Wood Parts

- 2 x 2716 Counter Mid Top
- 1 x 2685 Counter Top
- 2 x 0455 Counter Side

Hardware

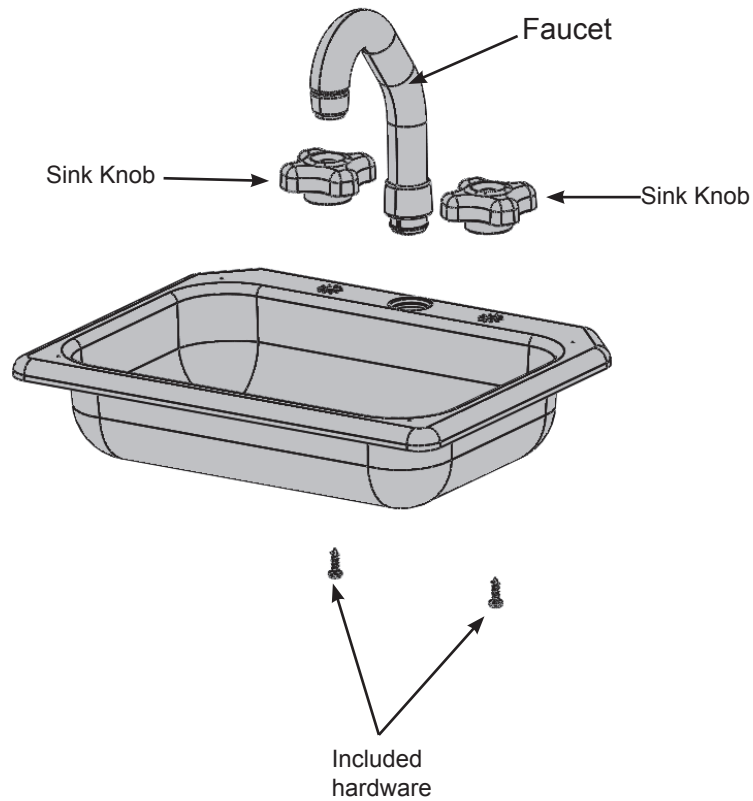
- 20 x TS Trim Screw

Step 40: Counter Assembly Part 6

J: Place Faucet and 2 Sink Knobs in opening of Sink and attach Sink Knobs with included hardware. (fig. 40.9)

Important: Use a hand held screw driver and DO NOT over tighten.

Fig. 40.9



Other Parts

1 x Sink
2 x Sink Knobs
1 x Faucet

Step 40: Counter Assembly Part 7

K: Place Sink and Stove in the openings of the Counter Assembly then attach 4 Mount Clips with included hardware to the bottom of the Sink and Stove to secure in place. (fig. 40.10 and 40.11)

Important: Use a hand held screw driver and **DO NOT** over tighten.

Note: To remove the Sink or Stove loosen screw 1/4 turn then twist Mount Clips.

Fig. 40.10

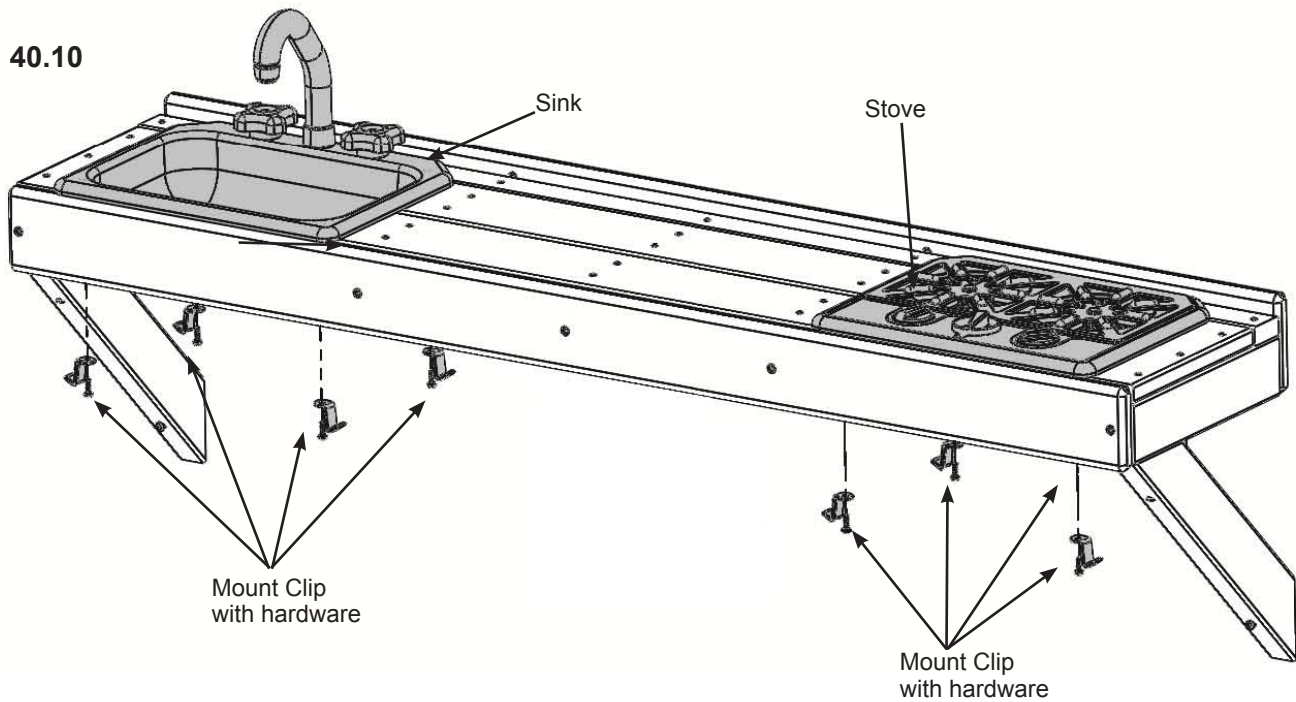
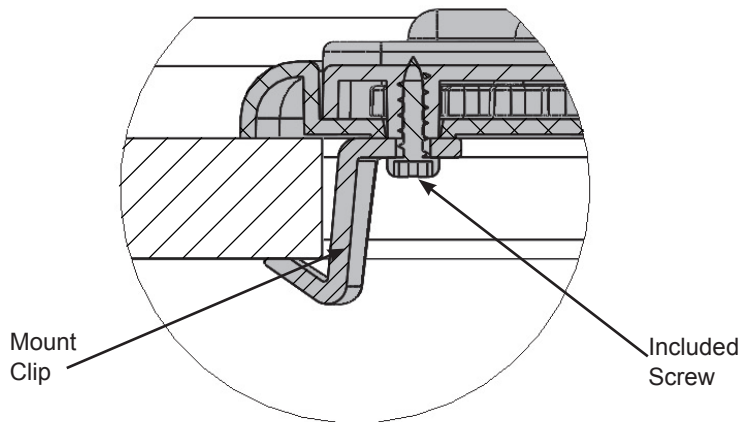


Fig. 40.11



Other Parts

1 x Stove
8 x Mount Clip

Step 41: Attach Utensil Shelf

A: From inside the assembly, centred in the top of the opening of panel as shown in the Fort Guide, above the counter, attach Utensil Shelf with 2 (S13) Pan Screws as shown in fig. 41.1 and 41.2.

B: Attach Pot, Pan and Spatula to the Utensil Shelf. (fig. 41.1)

Fig. 41.1

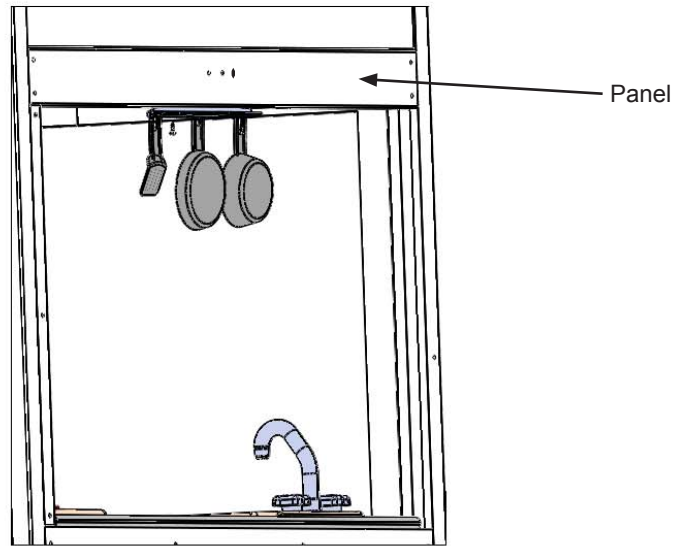
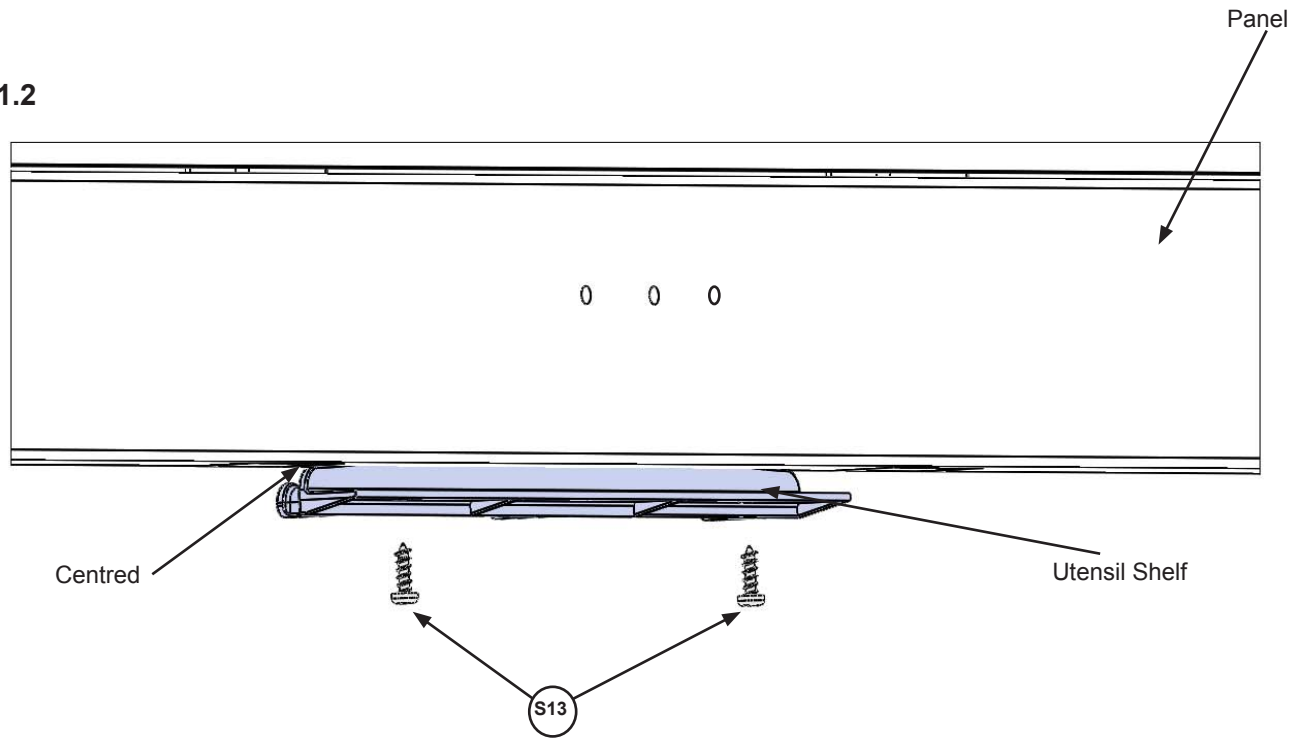


Fig. 41.2



Hardware

2 x (S13) Pan Screw

Other Parts

- 1 x Utensil Shelf
- 1 x Pot
- 1 x Pan
- 1 x Spatula

Step 42: Attach Clicker Phone

A: Using the Fort Guide to show location, on the (2601) Lower Jamb beside the Door Assembly install the Phone Base with 2 (S13) Pan Screws then place the Clicker Phone in the Phone Base. (fig. 42.1 and 42.2)

Fig. 42.1
Inside View

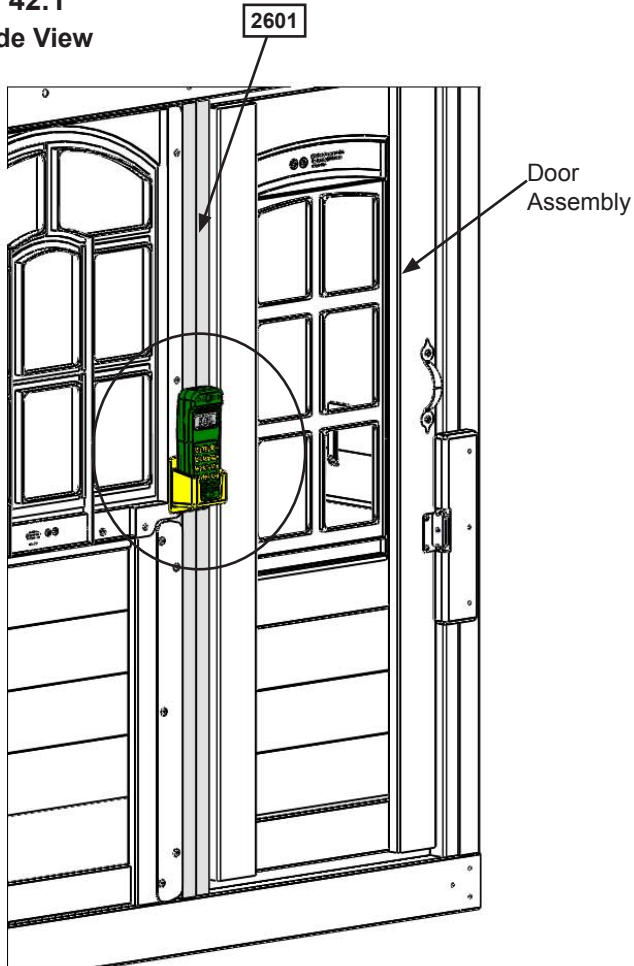
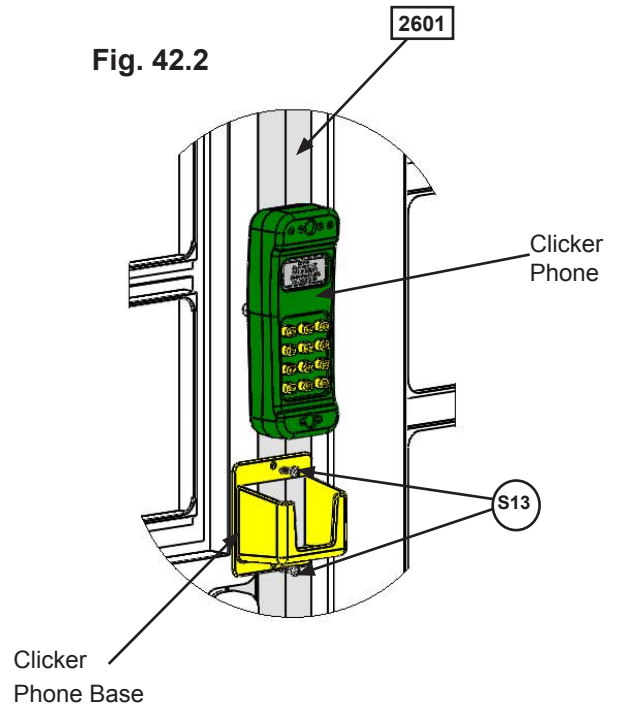


Fig. 42.2



Hardware

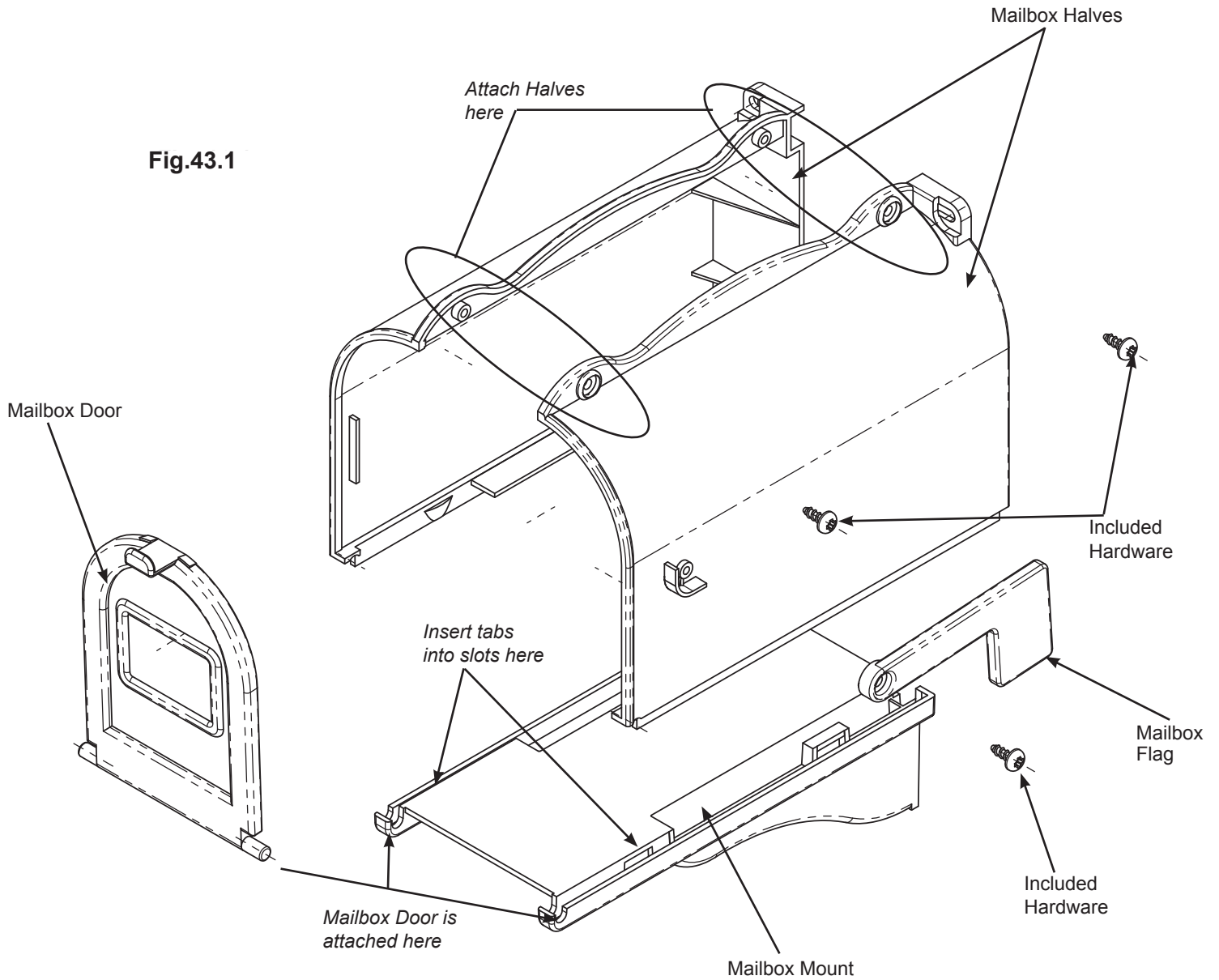
2 x  Pan Screw

Other Parts

1 x Clicker Phone Set

Step 43: Attach Mail Box Part 1

- A: Place both Mailbox Halves together and attach at the top with included hardware. (fig. 43.1)
- B: Snap Mailbox Door onto Mailbox Mount. (fig. 43.1)
- C: Place assembled Mailbox on Mailbox Mount and slide into place using the tabs and slots. (fig. 43.1)
- D: Attach Mailbox Flag to Mailbox with included hardware. (fig. 43.1)



Other Parts

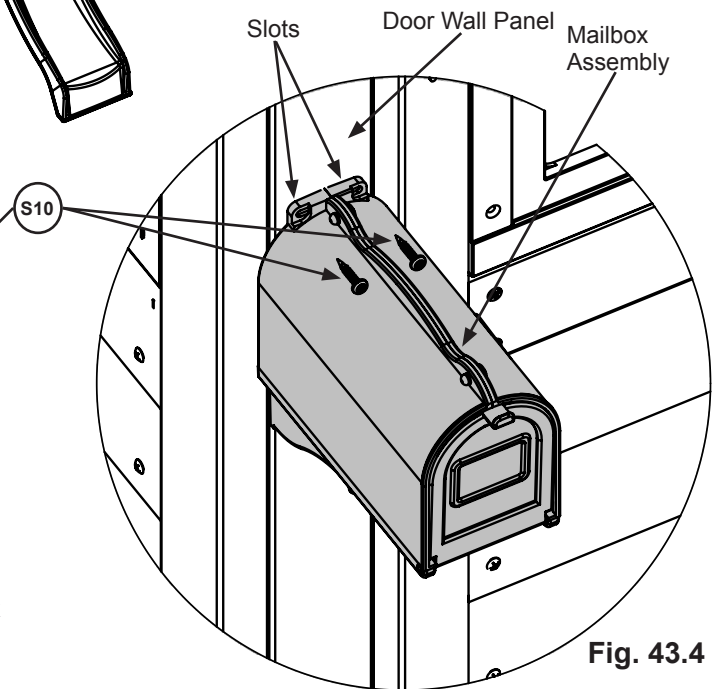
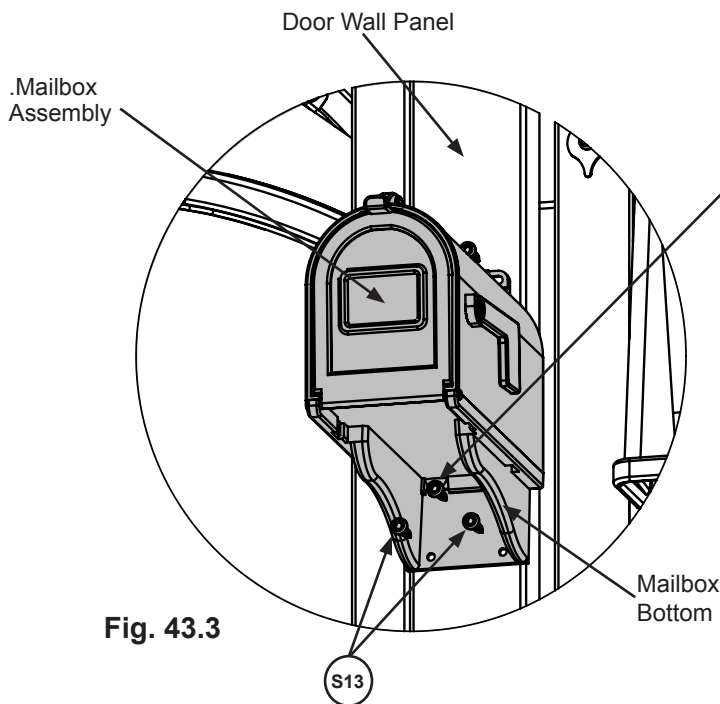
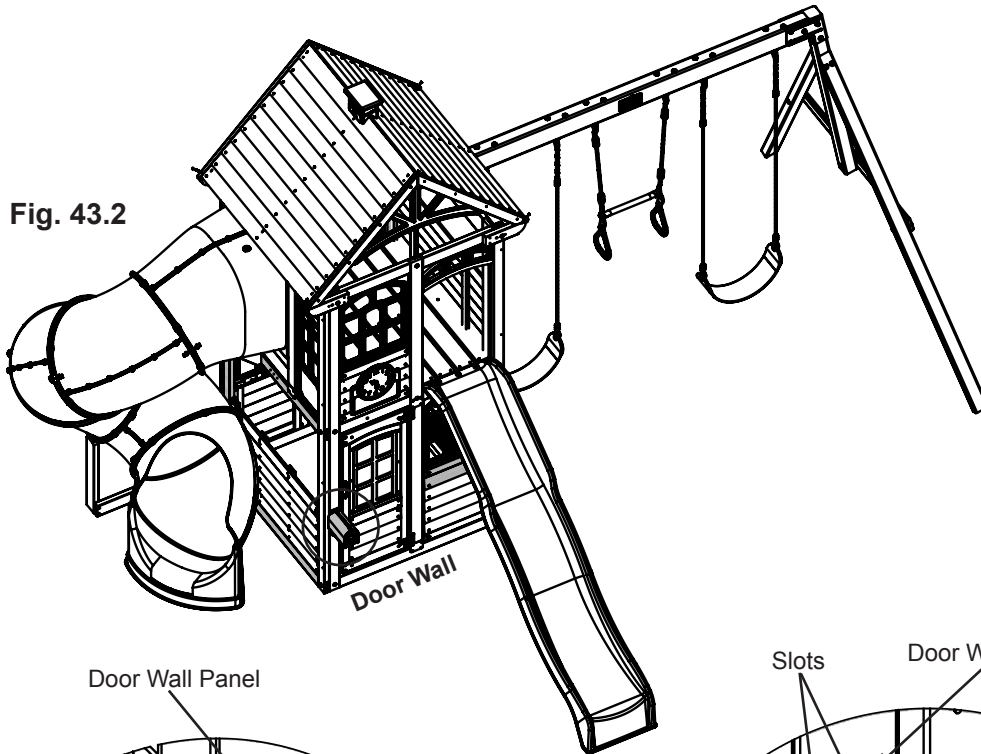
1 x Mailbox
(with included hardware)

Step 43: Attach Mailbox

Part 2

E: On the outside corner of the Door Wall as shown in fig. 43.2 place Mail Box Assembly on the panel then attach with 1 (S10) #8 x 1" Pan Screw from the bottom and 2 (S10) #8 x 1" Pan Screws on the top. (fig. 43.2, 43.3 and 43.4)

F: For the remaining 2 holes, attach with 2 (S13) #6 x 5/8" Pan screws. (fig.43.2)



Hardware

3 x (S10) Pan Screw

2 x (S13) Pan Screw

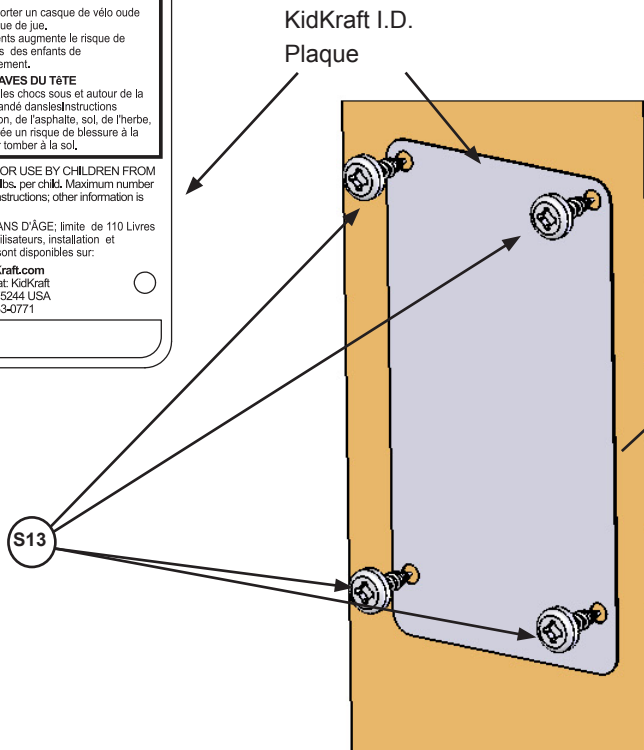
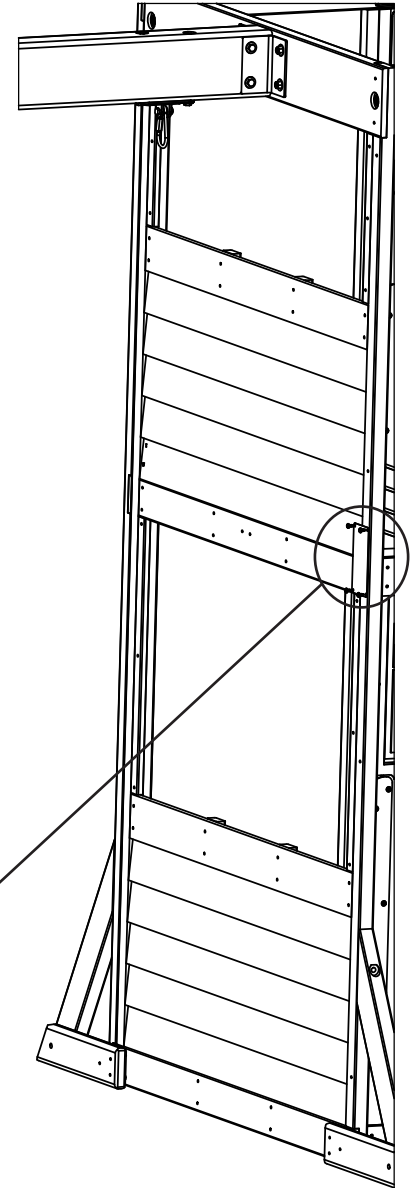
Final Step: Attach I.D. Plaque

ATTACH THIS WARNING & I.D. PLAQUE TO THIS LOCATION ON YOUR PLAY EQUIPMENT!

This provides warnings concerning safety and important contact information. A Tracking Number is provided to allow you to get critical information or order replacement parts for this specific model.



A: Attach KidKraft I.D. Plaque to a location on your set that is easily seen and read by a supervising adult using 4 (S13) Pan Screws as shown below.



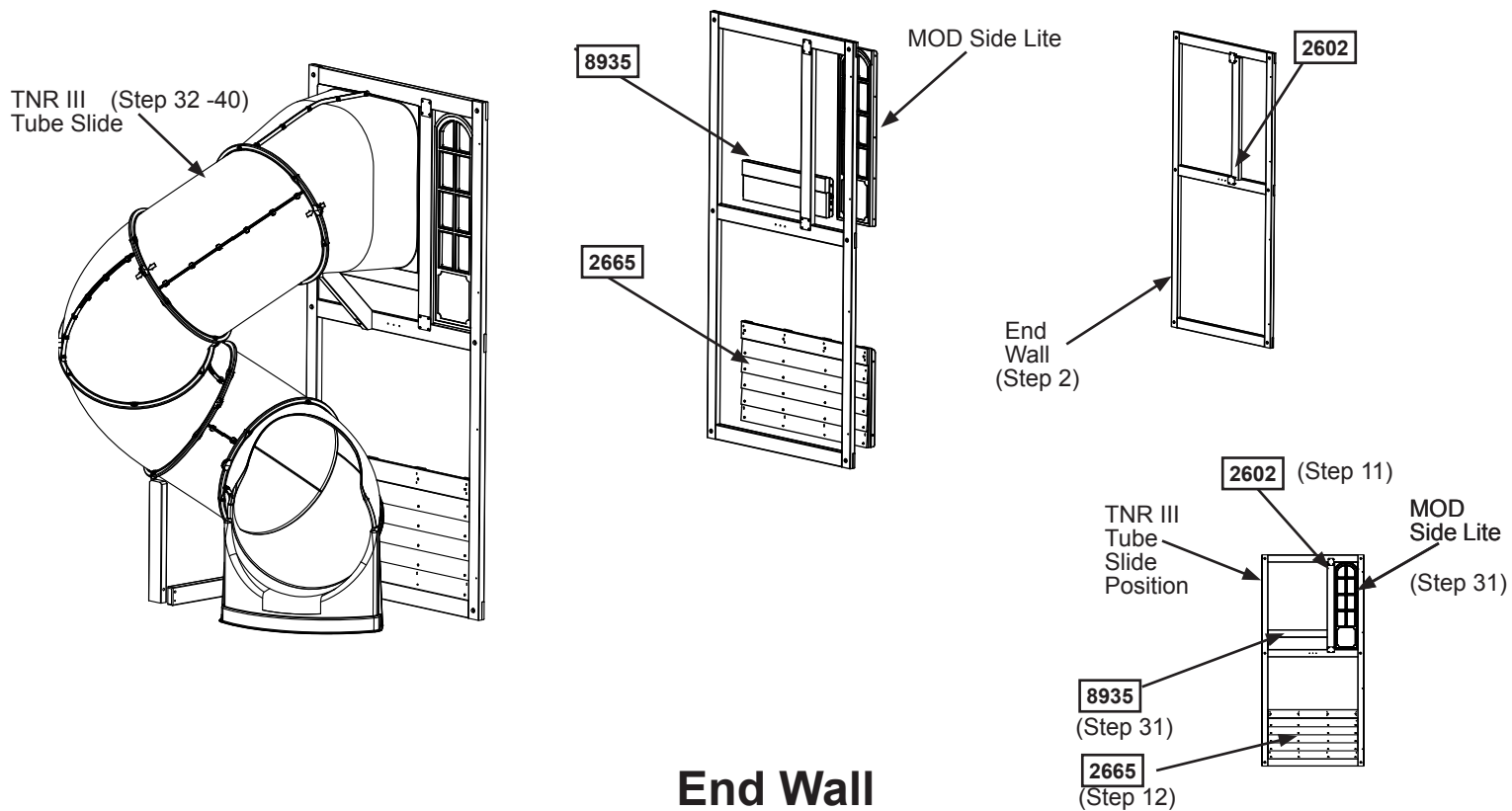
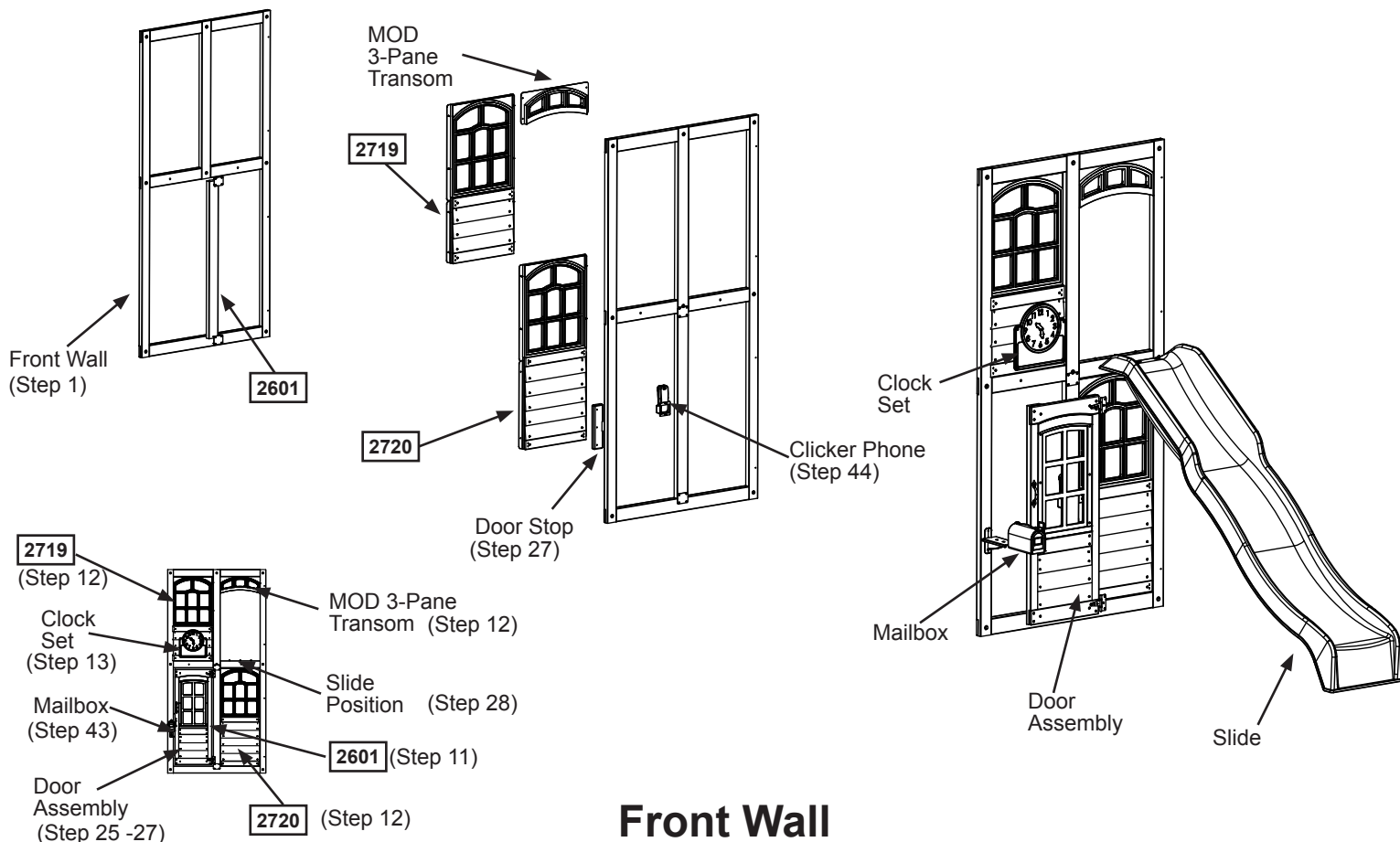
Hardware

4 x **S13** Pan Screw

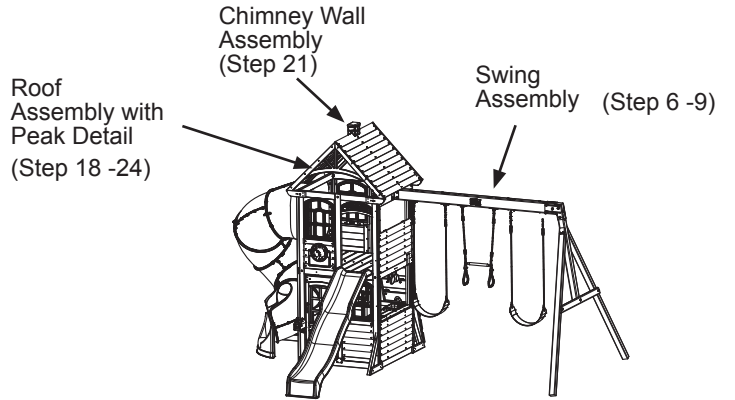
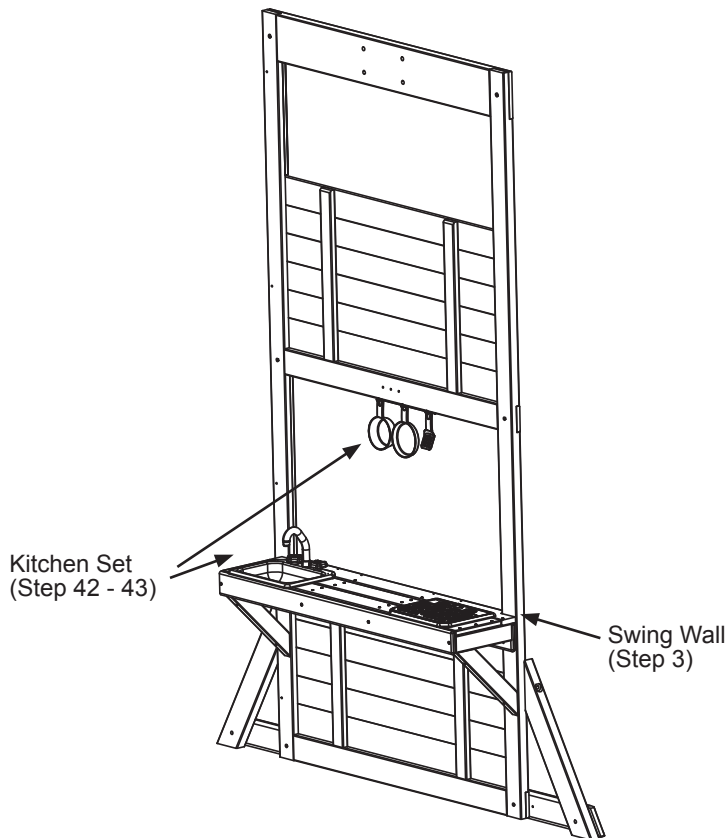
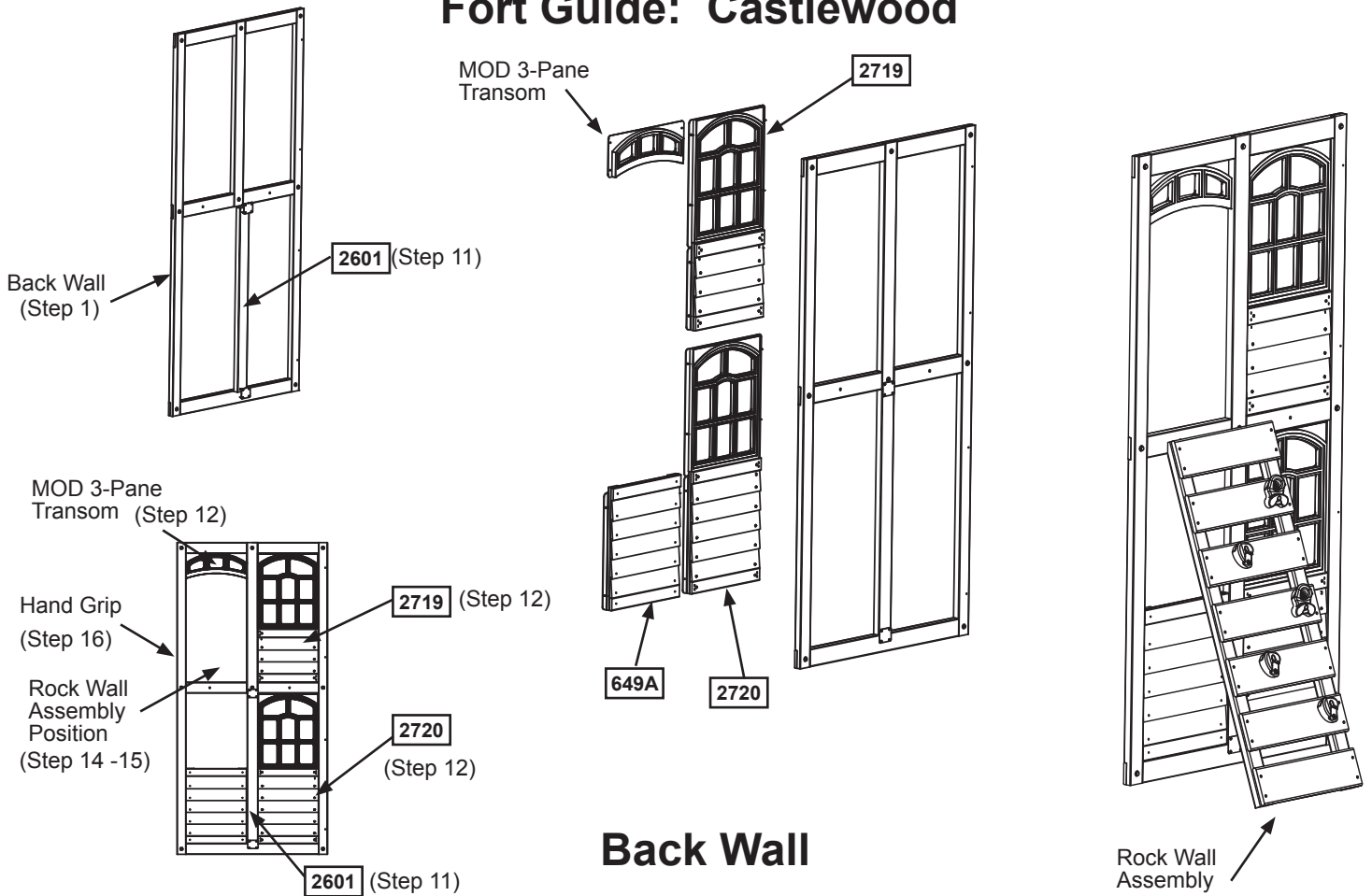
Other Parts

1 x KidKraft I.D. Plaque

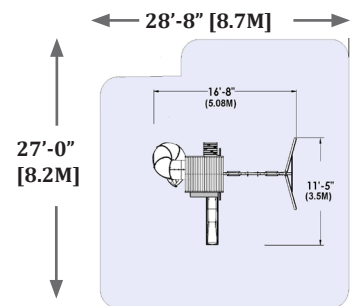
Fort Guide: Castlewood



Fort Guide: Castlewood



Maximum Number of Users: 10



Obstacle Free Safety Zone
28' 8" [8.7M] x 27' [8.2M]

Swing Wall

NOTES

KIDKRAFT

Consumer Registration Card

First Name

Initial

Last Name

--	--	--	--	--

Street

Apt. No.

--	--	--

City

State/Province

ZIP/Postal Code

--	--	--

Country

Telephone Number

--	--

E-Mail Address

--

Model Name

Model Number

(Box Labels)

--	--

Serial Number (on ID Plaque)

--

Date Purchase

Purchased From

--	--

MM / DD / YY

How would you rate this product for quality?

Excellent

Very Good

Average

Below Average

Poor

How would you rate this product for ease of assembly?

Excellent

Very Good

Average

Below Average

Poor

How would you rate our instructions?

Excellent

Very Good

Average

Below Average

Poor

How would you rate the quality of packaging?

Excellent

Very Good

Average

Below Average

Poor

Would you recommend the purchase of our products to friends and family?

Yes

No

Comments:



MAIL TO:
KidKraft
4630 Olin Road
Dallas, TX 75244
United States
Attention: Customer Service

Fill out your registration card online at
<https://prdregistration.kidkraft.com/>

KidKraft would like to say Thank You for
your time and feedback.

