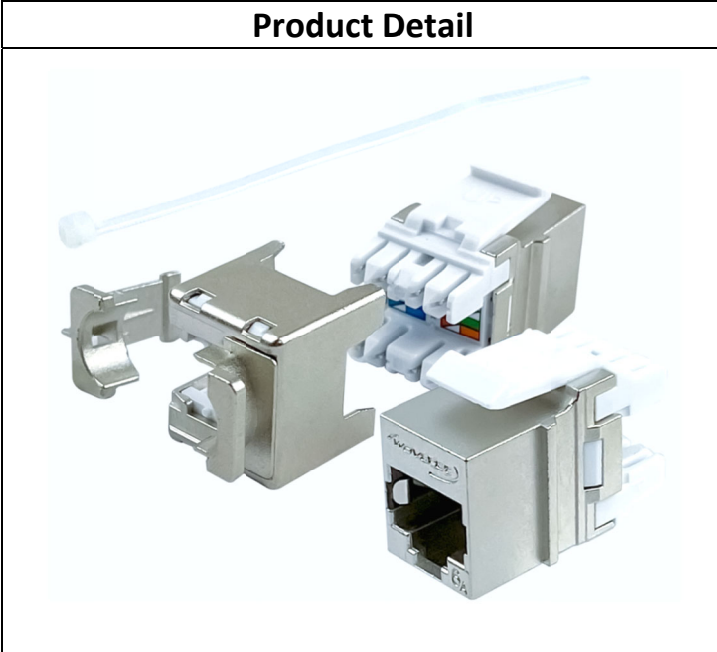


CAT6A HDJ SERIES F/UTP (SHIELDED) 180-DEGREE STYLE KEYSTONE JACKS

Product Detail



Overview

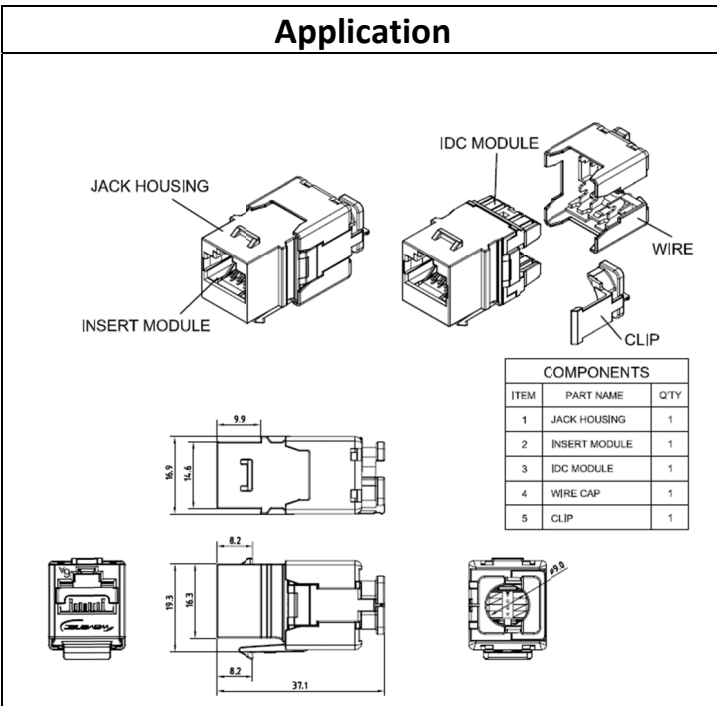
Wavenet's Category 6A HDJ Series F/UTP shielded Keystone Jacks are designed with printed circuit board (PCB) technology providing with maximum EMI and RFI protections. The 180-Degree punch down style Keystone Jacks are tested to meet and exceeds TIA-568-C.2 Category 6A 100-meter channel performance.

The contact pins designed are made with 50 micro-inches of gold-plated contact pins for maximum bandwidth and performance. Each Keystone Jack has a minimum of 750 cycles of plug insertions.

Features

- Component-rated performance
- Support data transmissions with frequencies up to 500MHz for 10G Ethernet applications.
- Narrow body design with PCB technology
- Compatible with Wavenet F/UTP shielded blank patch panels
- Support TIA-568-C.2 Category 6A 100 meter channel
- 110-Type, 8P8C, RJ-45, T568A/B wiring
- 180-Degree configuration for fast punch down
- Accepts 22-24 AWG F/UTP solid wire

Application



Standards & Compliances

- UL Listed
- TAA Complaint
- RoHS
- ANSI/TIA-568-C
- ISO/IEC 11801
- IEC 60603-7-41

Package Includes

- CAT6A HDJ Series F/UTP Shielded 180-Degree Keystone Jacks, 1 PC.
- Wire Cap, 1 PC.
- Nylon Tie, 1 PC.

Part Number	Color	Package
HD-6AKSJ-FTP	Zinc Alloy	Single Pack