

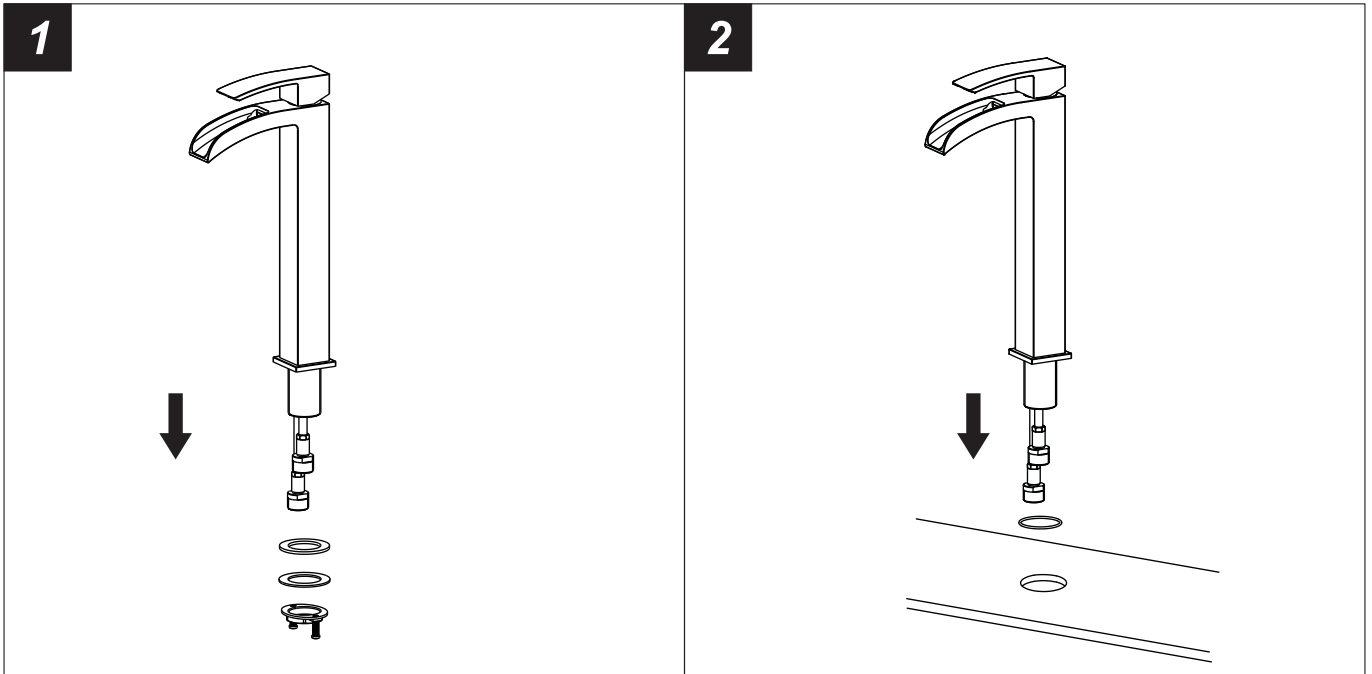




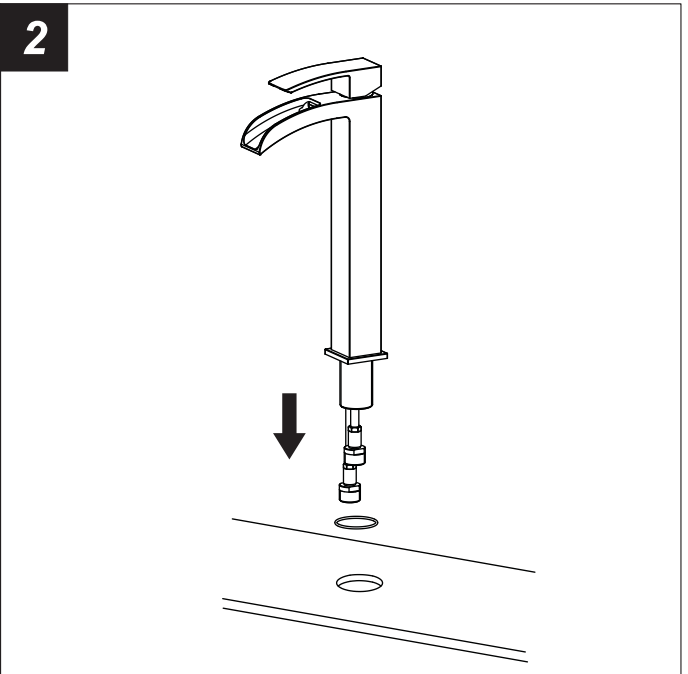




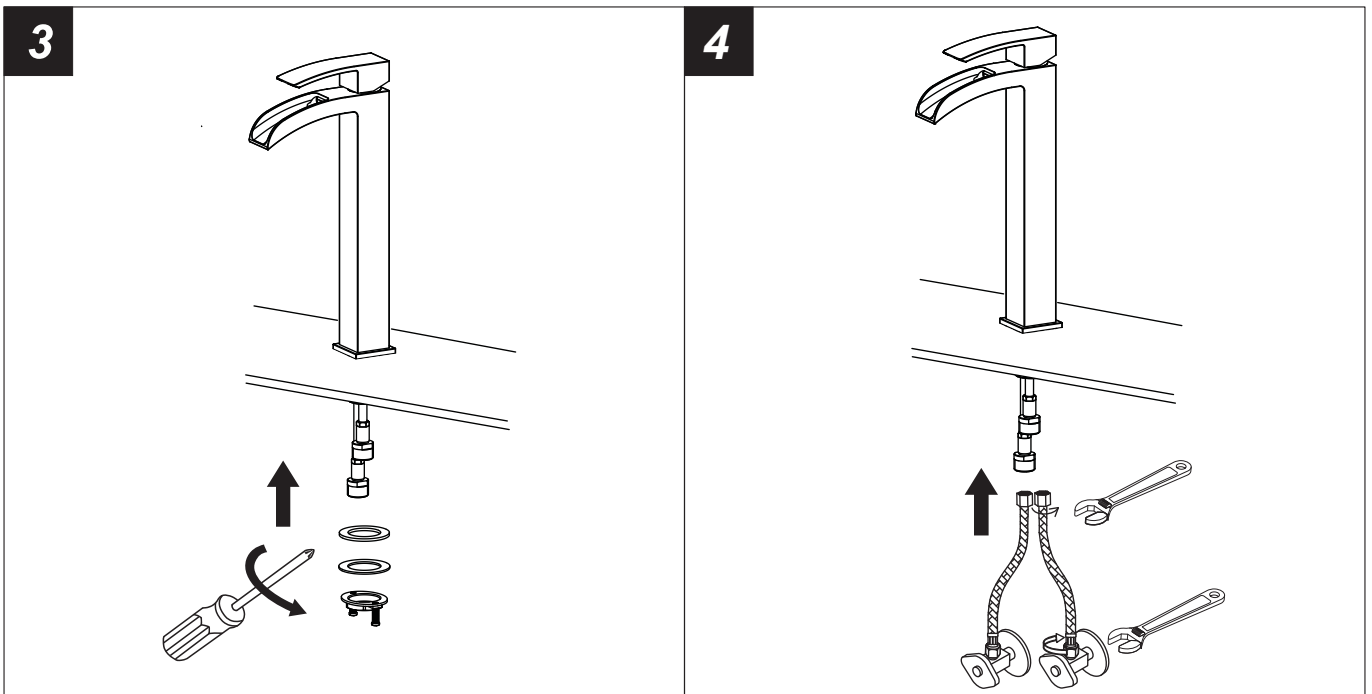
# Installation Instructions



1. Loosen the locknut (18) and remove the washer (16), metal gasket(17).

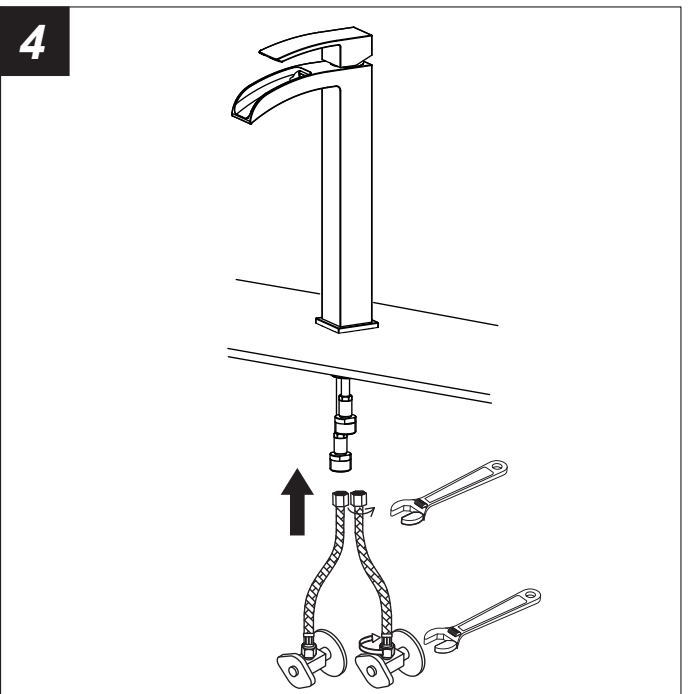


2. Slide the O-ring (15) over inlet tubes and shank. Position the faucet and gasket on the sink. Option: If sink is uneven, use silicone under the gasket.



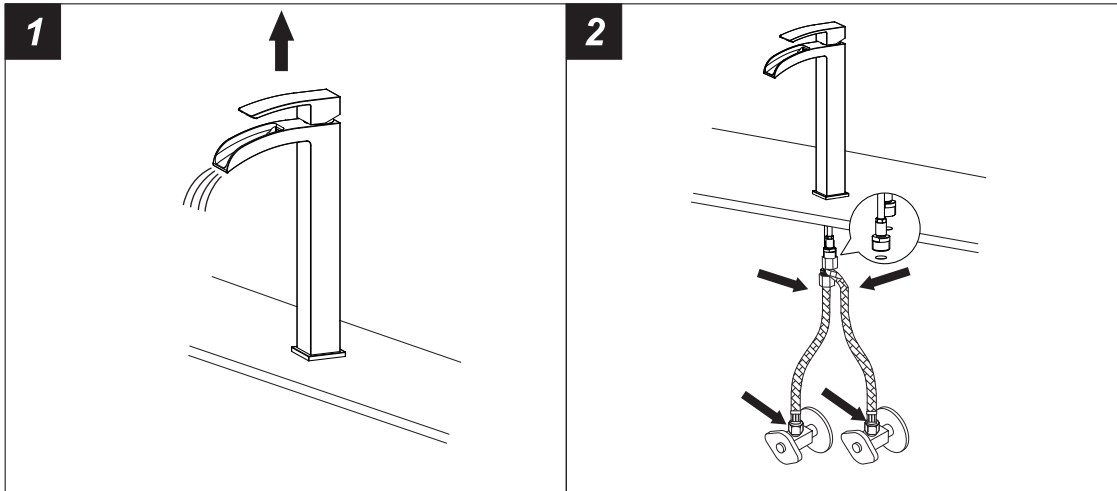
3. Place washer (16),metal gasket (17) over the shank under the sink. Install the locknut (18) and hand tighten it, then secure the faucet by tightening the screws of the locknut (18).

**NOTE: Supply valves are not included and must be purchased separately.**



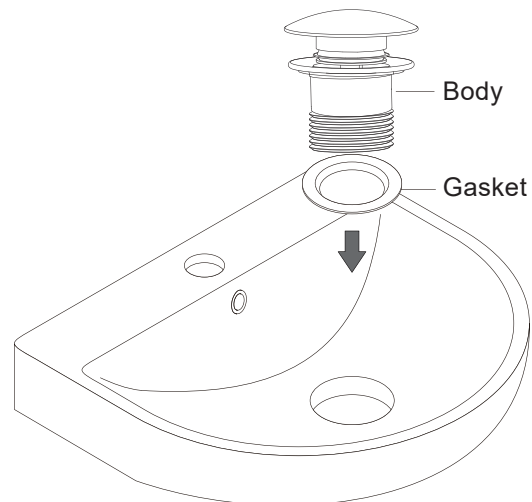
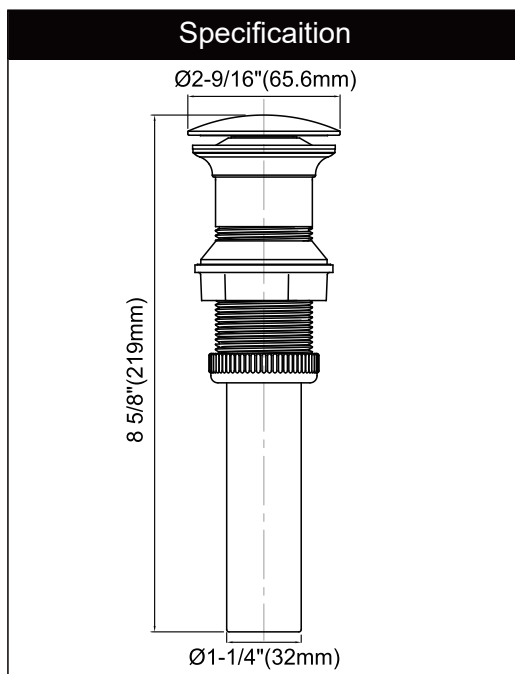
4. Connect the flexible hoses to the water supply valve (not included) and copper tubes, and tighten it with adjustable wrench. **DON'T OVER TIGHTEN!** Caution: make sure to connect the hot and cold flexible hose to supply valves correctly.

## Checking and testing

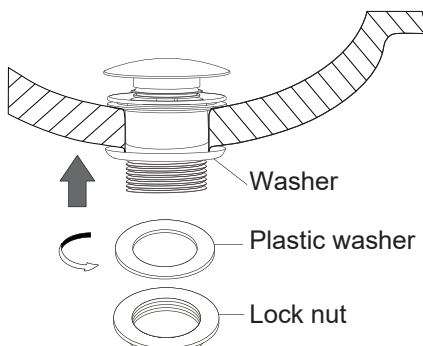


- A. Turn on the faucet and check that the water is flowing freely and steadily.
- B. If the water flow is weak, turn off the faucet, disconnect the hoses from the faucet and check the filter. Use pliers or a sharp pin to remove the filters for cleaning. Then place the filters back and reconnect the hoses to the faucet.
- C. Check all connection points (see the arrows in fig. 2) for any leakage. Tighten if necessary. **BUT DON'T OVERTIGHTEN!**

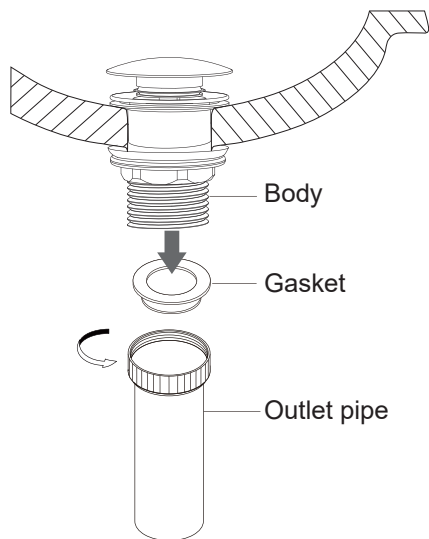
## Push Pop-Up Installation



1. Install the pop-up body and gasket into the drain hole.



2. Install washer, plastic washer and lock nut from below. Secure the pop-up by tightening the lock nut.

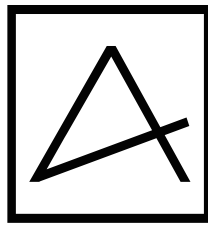


3. Install the pipe with the gasket inside.

### Care and Maintenance

Daily care and cleaning are required to keep the product shining and functional. ONLY USE Regular soap and warm water to wash the faucet. Then dry off with a soft cloth.

NEVER USE Any strong cleaners. Avoid using any harsh chemicals. And never scrub using abrasive sponges or materials.



ANZZI®