






Thank you for purchasing this quality product. Be sure to unpack carefully looking for small parts which may have come loose during shipment.

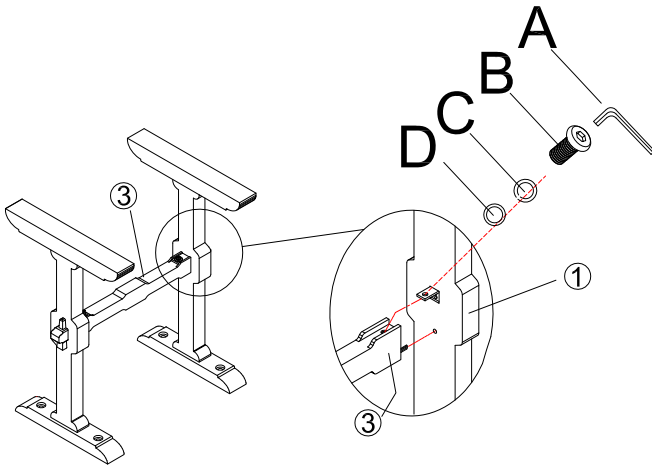
Read all instruction and study the drawing carefully before starting the assembly process.

HARDWARE PACK

NO.	DRAWING	DESCRIPTION	SIZE	Q'TY
A		Allen Wrench	5mm	1pc
B		Bolt	5/16*25mm	2pcs
C		Lock Washer	5/16"	10pcs
D		Flat Washer	5/16"	10pcs
E		Bolt	5/16*50mm	8pcs

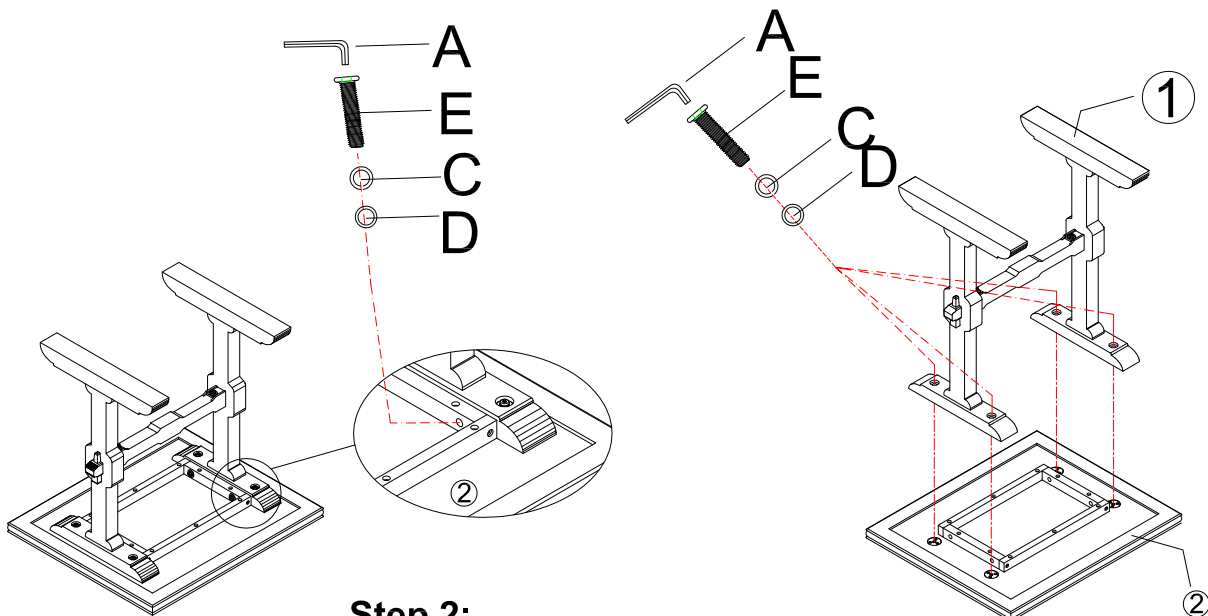
PART LIST

NO.	DRAWING	DESCRIPTION	Q'TY
①		Leg	2PCS
②		Table Top	1PC
③		Stretchers	1PC



Step 1:

Attach legs (1) to stretchers (3).

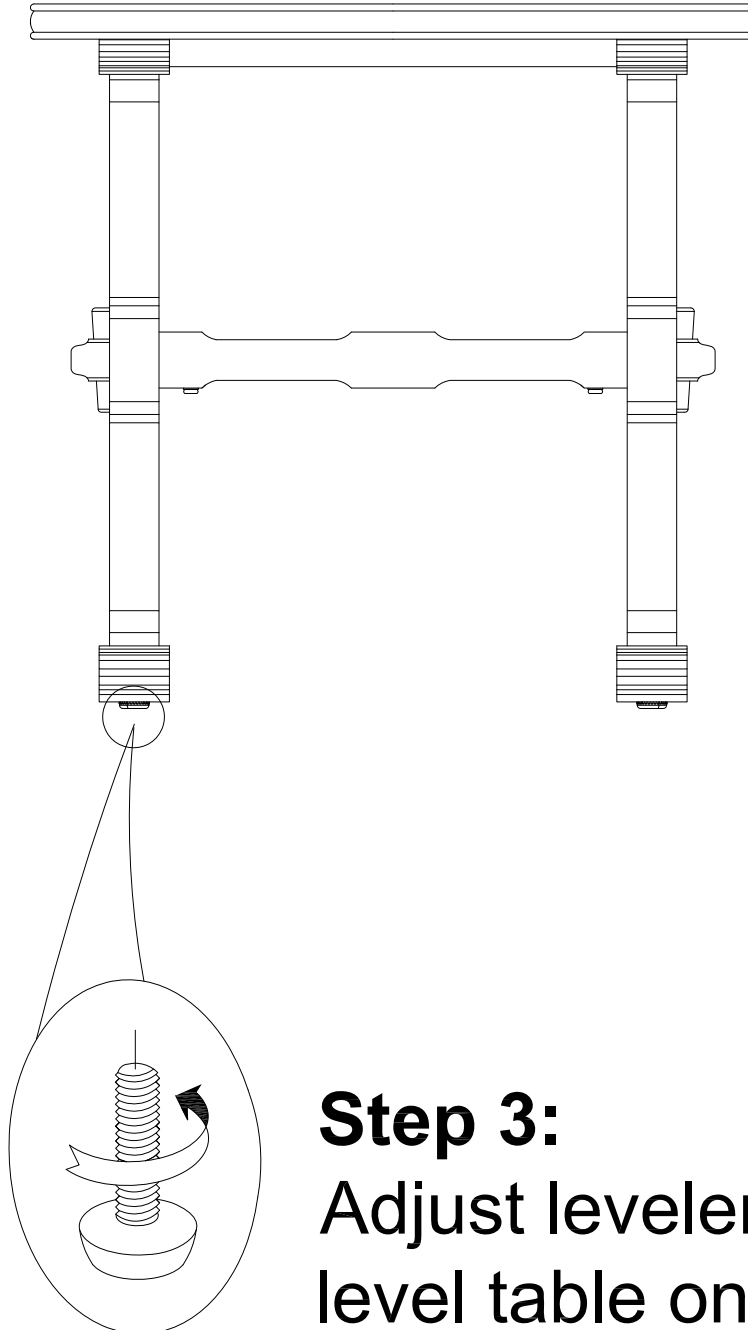


Step 2:

Attach the whole base to table top (2).

Thank you for purchasing this quality product. Be sure to unpack carefully looking for small parts which may have come loose during shipment.

Read all instruction and study the drawing carefully before starting the assembly process.



Step 3:
Adjust leveler if needed to level table on uneven floor.