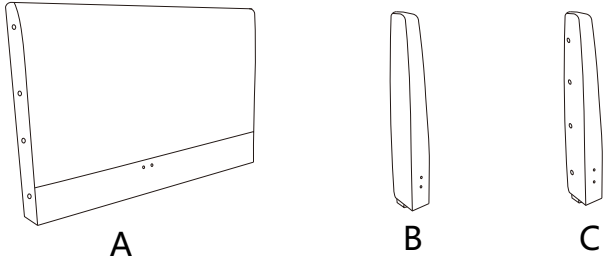


# PRESLEY UPHOLSTERED WING BED FULL/QUEEN ASSEMBLY INSTRUCTIONS



## BOX#1

- A. HEADBOARD PANEL 1 PC
- B. LEFT HEADBOARD WING 1 PC
- C. RIGHT HEADBOARD WING 1 PC



## HARDWARE KIT PACKED IN BOX #1

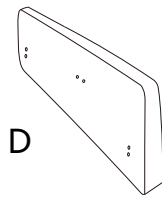
1	ALLEN BOLT(5/16"x1-3/4")		8 PCS
2	FLAT WASHER(3/4")		8 PCS
3	LOCK WASHER(5/16")		8 PCS
4	ALLEN KEY(5/16")		1 PC

## HARDWARE KIT PACKED IN BOX #2

1	ALLEN BOLT(5/16"x1-1/4")		4 PCS
2	ALLEN BOLT(5/16"x2-1/2")		4 PCS
3	THREADED BOLT (5/16"x4-1/4")		4 PCS
4	FLAT WASHER(3/4")		6 PCS
5	LOCK WASHER(5/16")		8 PCS
6	ALLEN KEY(5/16")		1 PC
7	WRENCH(5/16")		1 PC
8	MENDING PLATE		2 PCS
9	HEX NUT(5/16")		4 PCS
10	FLAT WASHER(1")		2 PCS

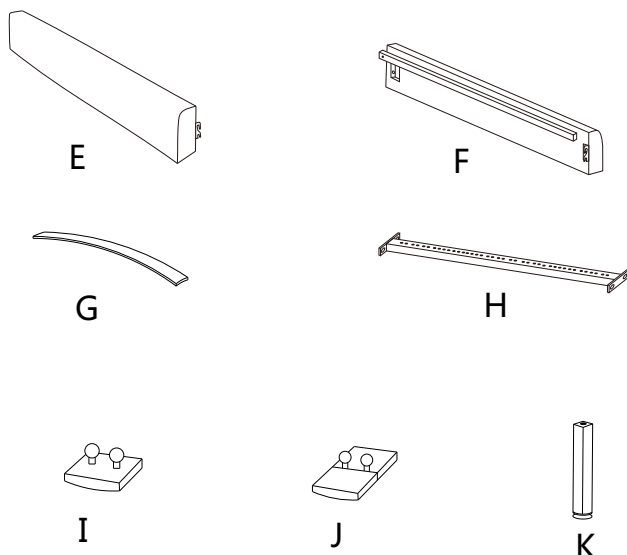
## BOX#2

- D. FOOTBOARD 1 PC

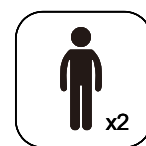
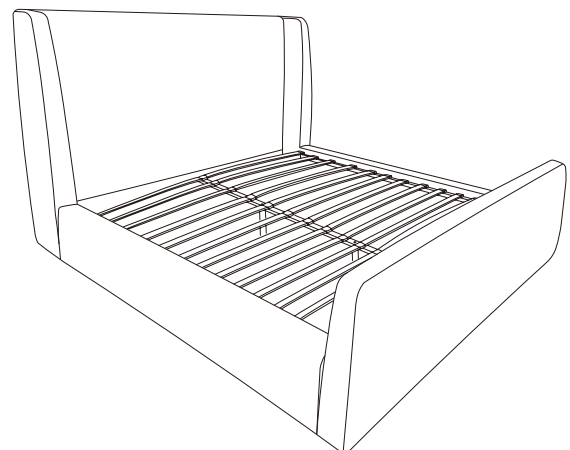


## BOX#3

- E. LEFT SIDE RAIL 1 PC
- F. RIGHT SIDE RAIL 1 PC
- G. SLAT 26 PCS
- H. CENTER SLAT SUPPORT 1 PC
- I. SIDE RAIL SLAT CLIP 26 PCS
- J. CENTER SUPPORT SLAT CLIP 13 PCS
- K. SLAT SUPPORT LEG 2 PCS



## FULLY ASSEMBLED

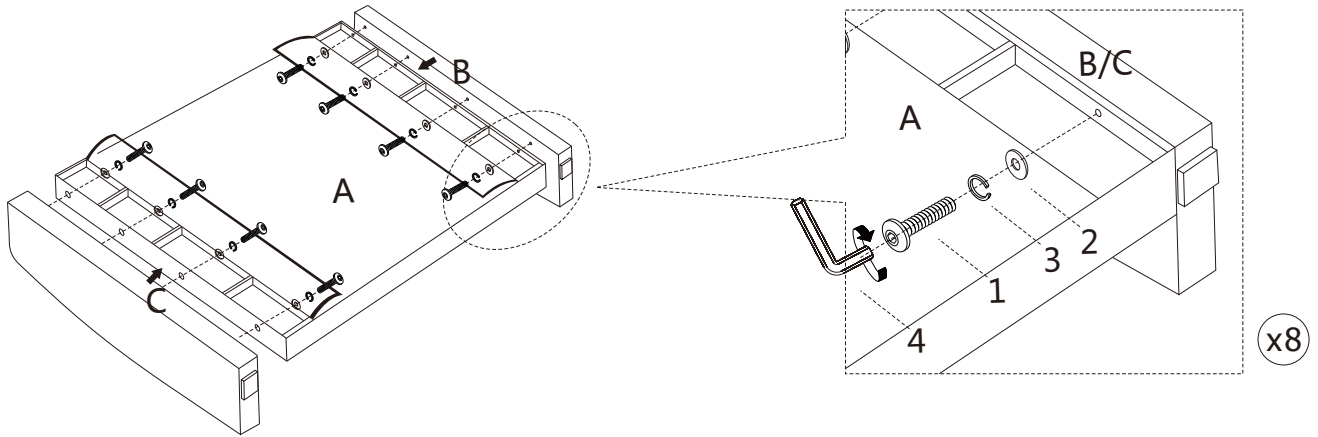


# PRESLEY UPHOLSTERED WING BED FULL/QUEEN ASSEMBLY INSTRUCTIONS



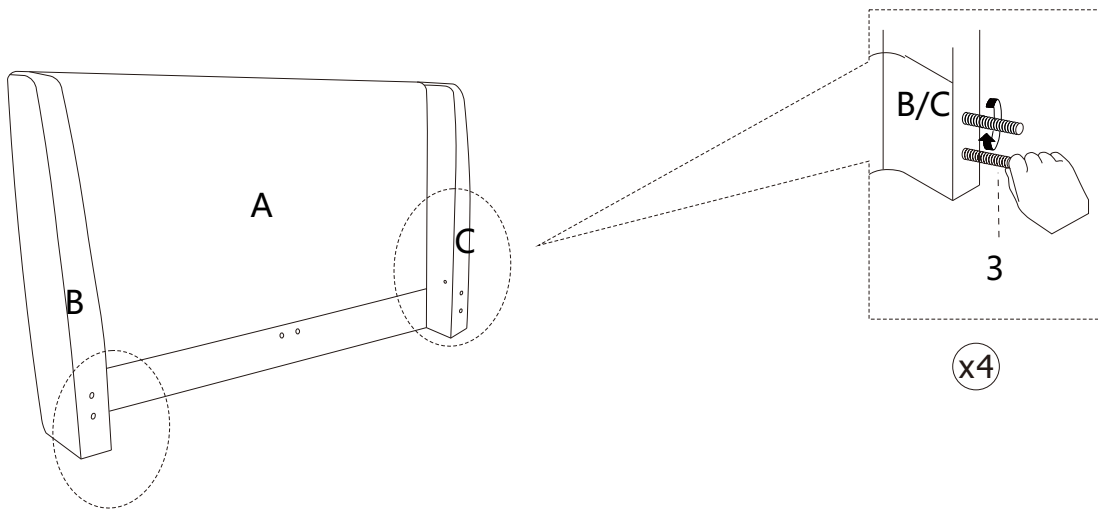
## STEP 1

NOTE: USE HARDWARE PACKED IN BOX #1 FOR STEP 1.

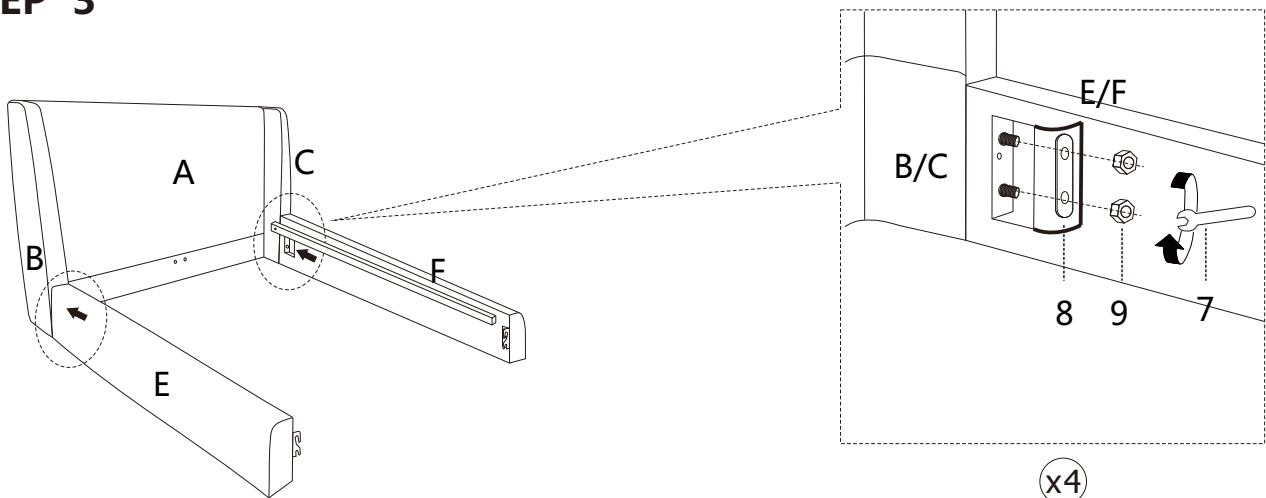


## STEP 2

NOTE: USE HARDWARE PACKED IN BOX #2 FOR STEP 2 AND ALL STEPS THAT FOLLOW.



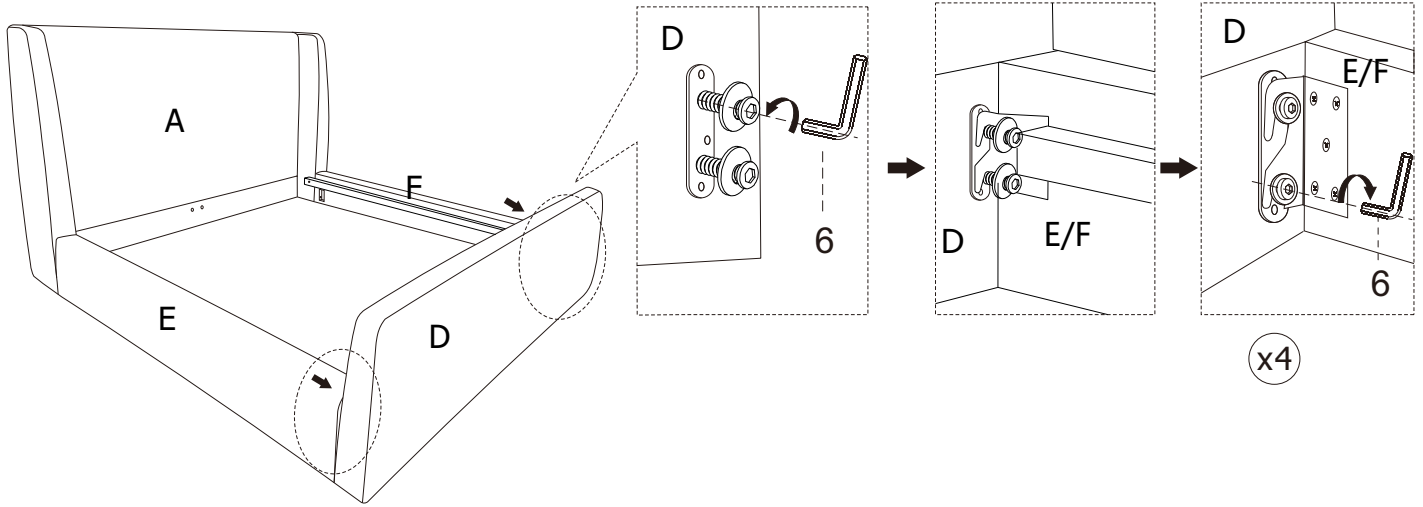
## STEP 3



# PRESLEY UPHOLSTERED WING BED FULL/QUEEN ASSEMBLY INSTRUCTIONS



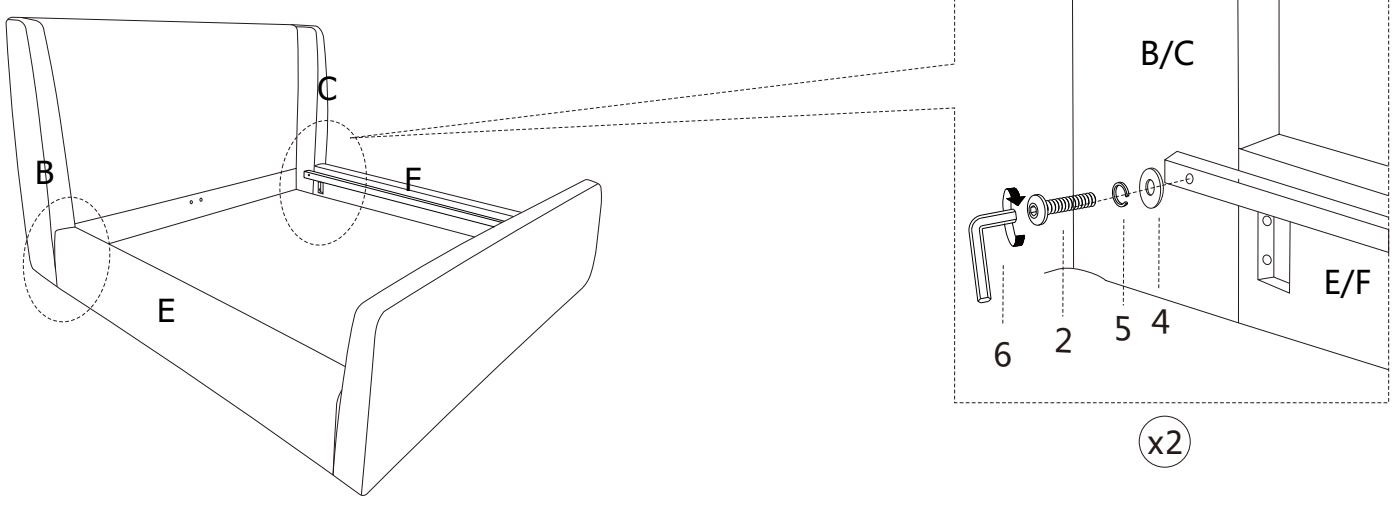
## STEP 4



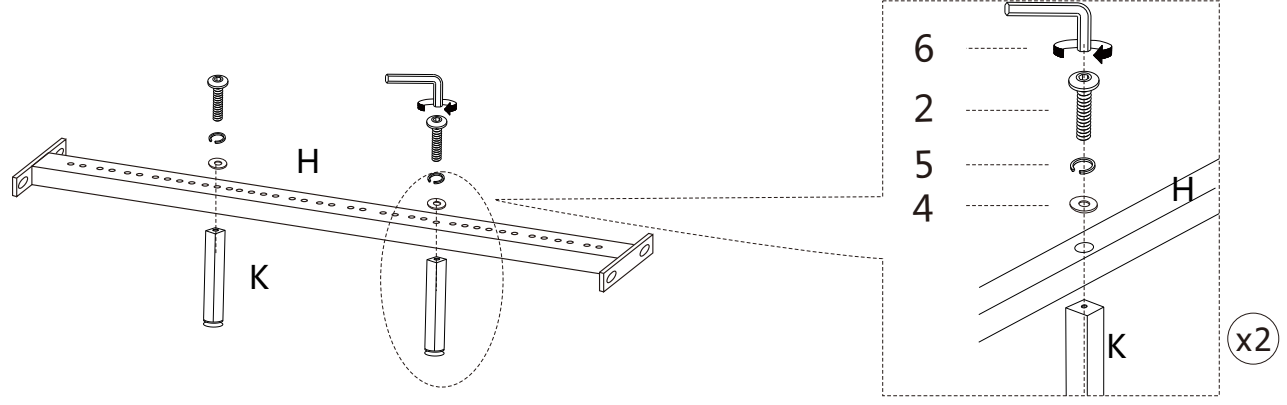
## STOP

• IF USING BED WITH AN ADJUSTABLE MATTRESS BASE, SKIP STEPS 5, 6, 7, 8 & 9 AND REFERENCE APPENDIX A: ADJUSTABLE MATTRESS BASE ASSEMBLY SUPPLEMENT. IF USING BED FRAME WITH STANDARD BOX SPRING OR FOUNDATION, CONTINUE TO STEP 5.

## STEP 5



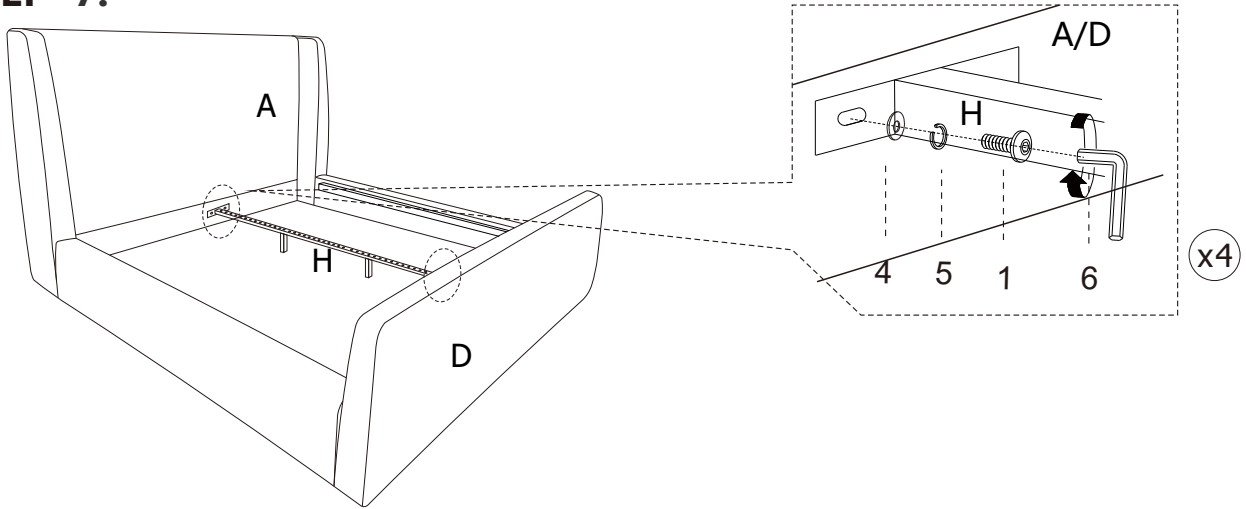
## STEP 6



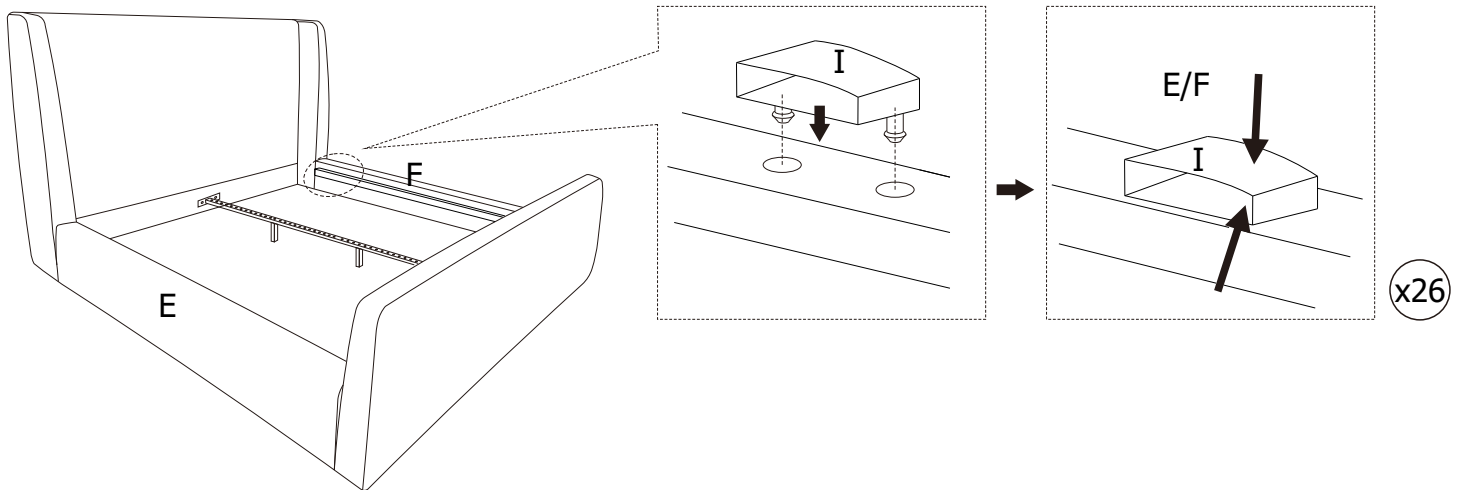
# PRESLEY UPHOLSTERED WING BED FULL/QUEEN ASSEMBLY INSTRUCTIONS



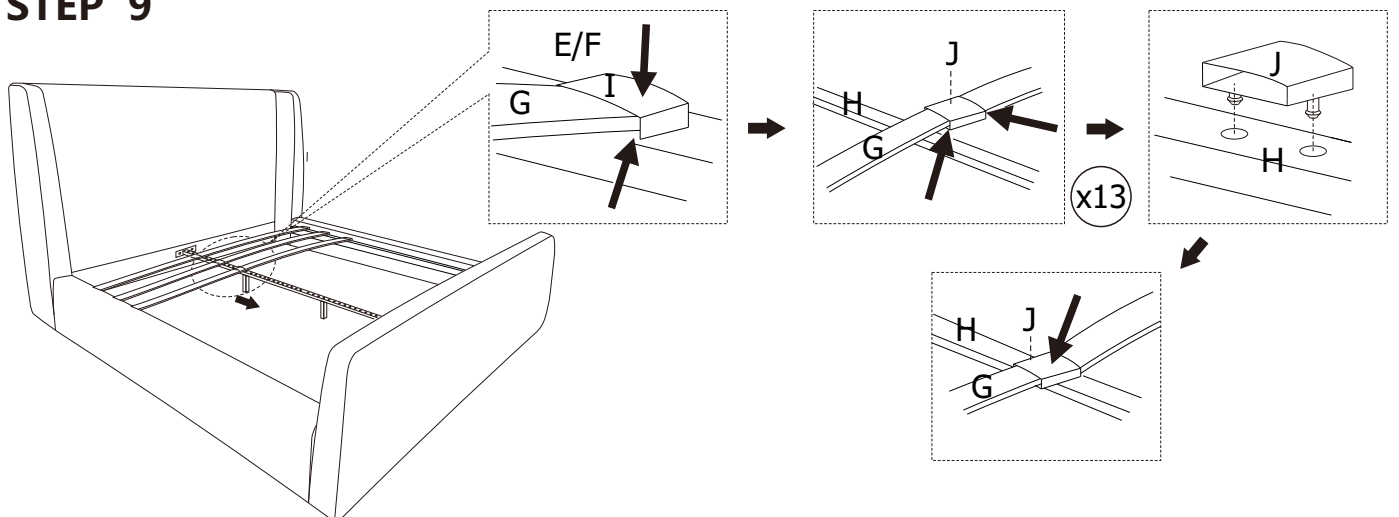
## STEP 7:



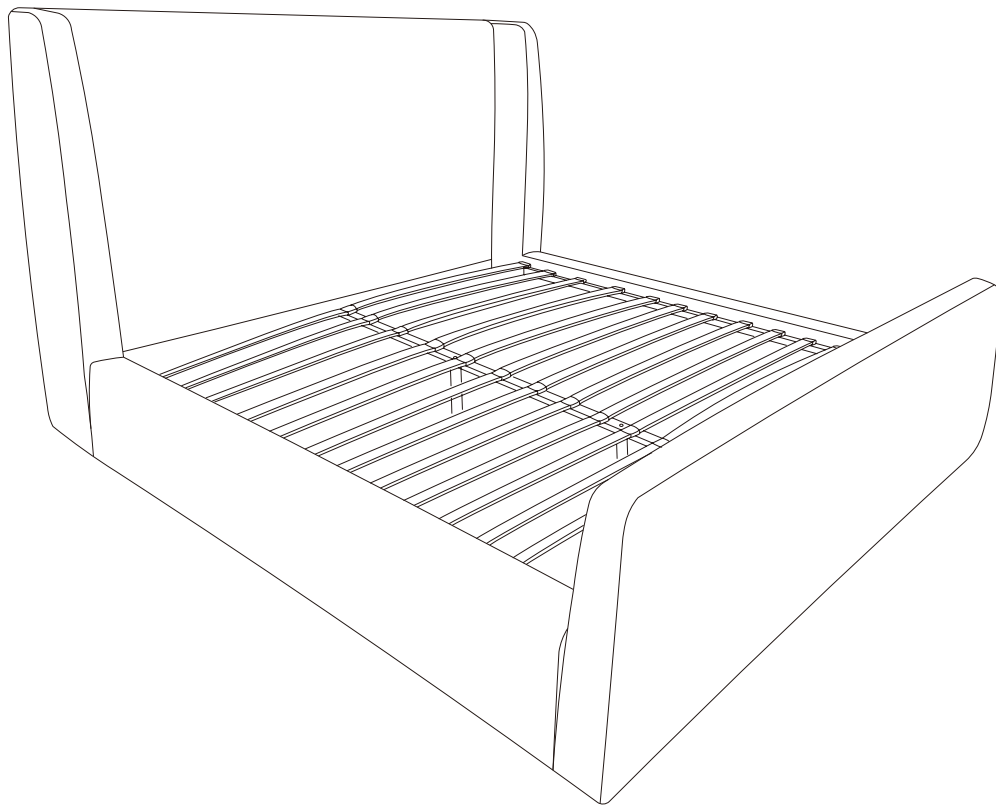
## STEP 8: STARTING FROM HEADBOARD



## STEP 9



# PRESLEY UPHOLSTERED WING BED FULL/QUEEN ASSEMBLY INSTRUCTIONS



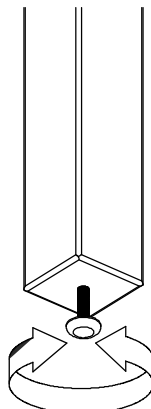
**ASSEMBLY COMPLETE.**

## INSTRUCTIONS FOR ADJUSTING LEVELERS:

POSITION THE BED IN YOUR ROOM.  
LOCATE LEVELERS UNDER EACH  
SUPPORT LEG ( K ).

TURN COUNTER-CLOCKWISE TO  
EXTEND, CLOCKWISE TO RETRACT.

ADJUST LEVELERS UNTIL EACH LEG  
SUPPORT IS APPLYING EQUAL UPWARD  
PRESSURE ON THE CENTER SLAT.



## MAINTENANCE INSTRUCTIONS:

- PERIODICALLY CHECK ALL FITTINGS AND TIGHTEN IF NECESSARY, AS THEY CAN LOOSEN OVER TIME.
- ALWAYS REMOVE BOX SPRING AND MATTRESS BEFORE MOVING THE BED.
- LIFT THE BED WHEN MOVING IT. DRAGGING THE BED CAN DAMAGE THE CENTER SUPPORT.
- READJUST LEVELERS AFTER MOVING THE BED.

# PRESLEY UPHOLSTERED WING BED FULL/QUEEN ASSEMBLY INSTRUCTIONS



## APPENDIX A: ADJUSTABLE MATTRESS BASE ASSEMBLY SUPPLEMENT

AN ADJUSTABLE MATTRESS BASE IS A FREESTANDING MATTRESS SUPPORT THAT SITS WITHIN THE PERIMETER OF THE BED FRAME.

IF USING THIS BED FRAME WITH A STANDARD BOX SPRING OR FOUNDATION THESE INSTRUCTIONS DO NOT APPLY.

PRE-ASSEMBLED SIDE RAIL CLEATS OBSTRUCT ADJUSTABLE BASE INSTALLATION AND OPERATION. FOLLOW THESE INSTRUCTIONS TO REMOVE THEM.

### **WARNING!**

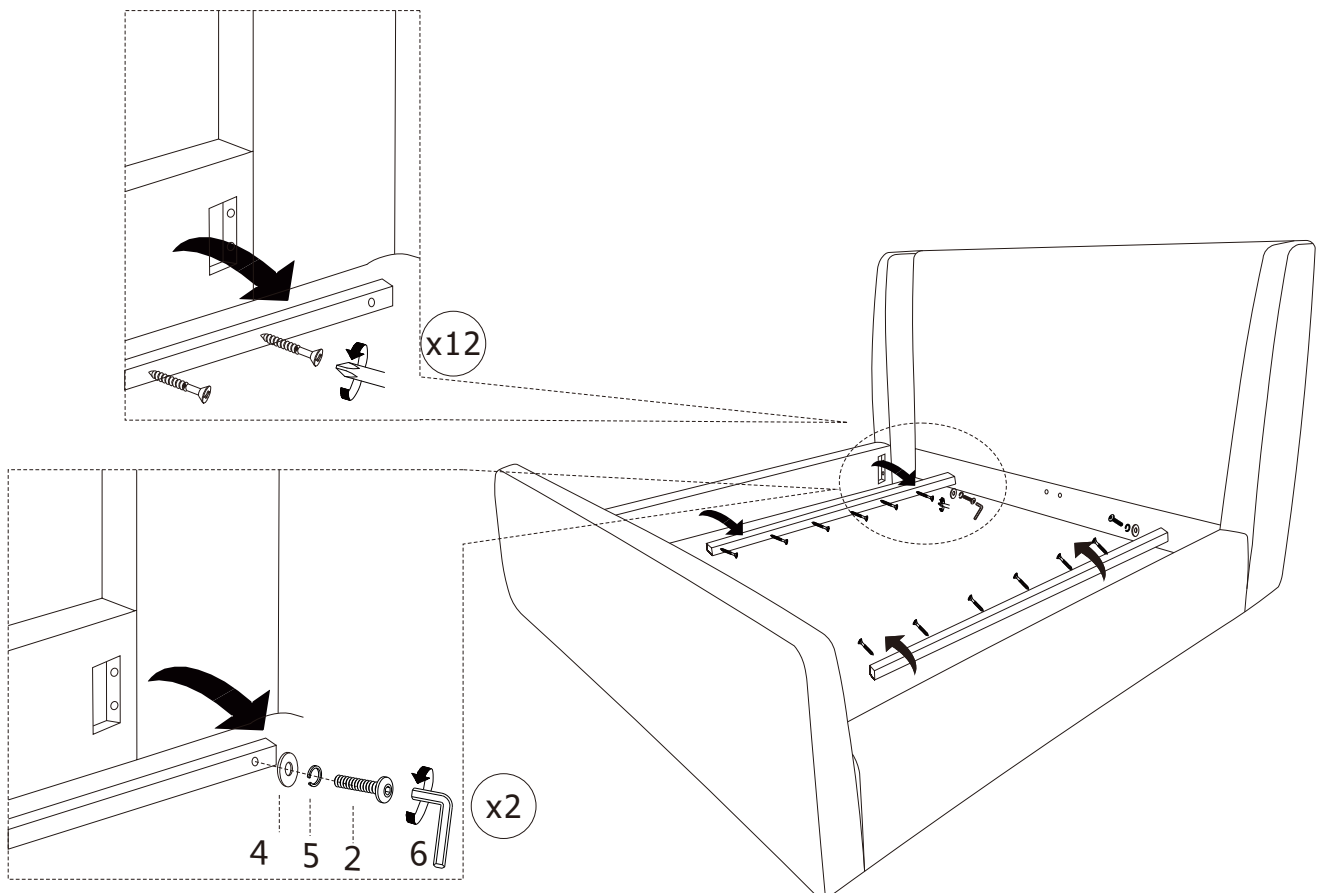
SIDE RAIL CLEATS ARE HELD IN PLACE USING PHILLIPS HEAD SCREWS. ONCE THEY ARE REMOVED THE USER WILL NOT BE ABLE TO SAFELY RE-INSTALL THE SIDE RAIL CLEATS FOR FUTURE USE WITH A STANDARD BOX SPRING OR FOUNDATION.

### THE FOLLOWING PARTS ARE NOT REQUIRED FOR ADJUSTABLE MATTRESS BASE INSTALLATION:

G. SLAT	26 PCS
H. CENTER SLAT SUPPORT	1 PC
I. SIDE RAIL SLAT CLIP	26 PCS
J. CENTER SUPPORT SLAT CLIP	13 PCS
K. SLAT SUPPORT LEG	2 PCS

### STEP 1 :

USE A PHILLIPS HEAD SCREWDRIVER (NOT PROVIDED) AND ALLEN KEY (6) TO UNSCREW THE PHILLIPS SCREWS AND ALLEN BOLTS IN ORDER TO REMOVE THE PRE-ASSEMBLED SIDE RAIL CLEATS.

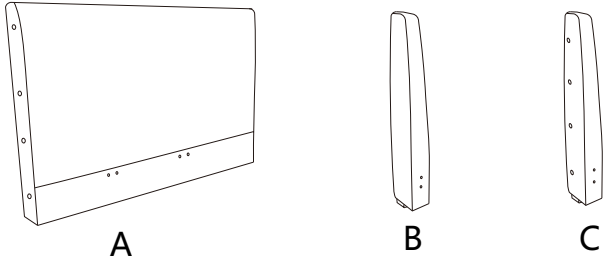


# PRESLEY UPHOLSTERED WING BED C.KING/E.KING ASSEMBLY INSTRUCTIONS



## BOX#1

- A. HEADBOARD PANEL 1 PC
- B. LEFT HEADBOARD WING 1 PC
- C. RIGHT HEADBOARD WING 1 PC



## HARDWARE KIT PACKED IN BOX #1

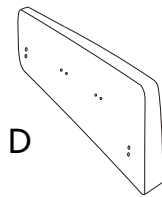
1	ALLEN BOLT(5/16"x1-3/4")		8 PCS
2	FLAT WASHER(3/4")		8 PCS
3	LOCK WASHER(5/16")		8 PCS
4	ALLEN KEY(5/16")		1 PC

## HARDWARE KIT PACKED IN BOX #2

1	ALLEN BOLT(5/16"x1-1/4")		8 PCS
2	ALLEN BOLT(5/16"x2-1/2")		6 PCS
3	THREADED BOLT (5/16"x4-1/4")		4 PCS
4	FLAT WASHER(3/4")		12 PCS
5	LOCK WASHER(5/16")		14 PCS
6	ALLEN KEY(5/16")		1 PC
7	WRENCH(5/16")		1 PC
8	MENDING PLATE		2 PCS
9	HEX NUT(5/16")		4 PCS
10	FLAT WASHER(1")		2 PCS

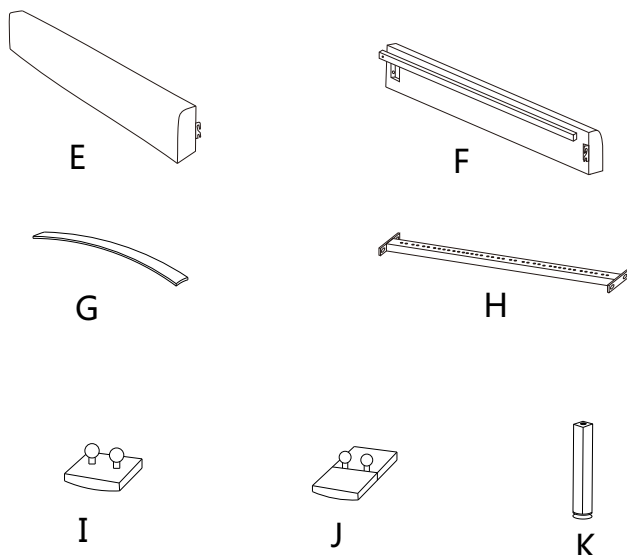
## BOX#2

- D. FOOTBOARD 1 PC

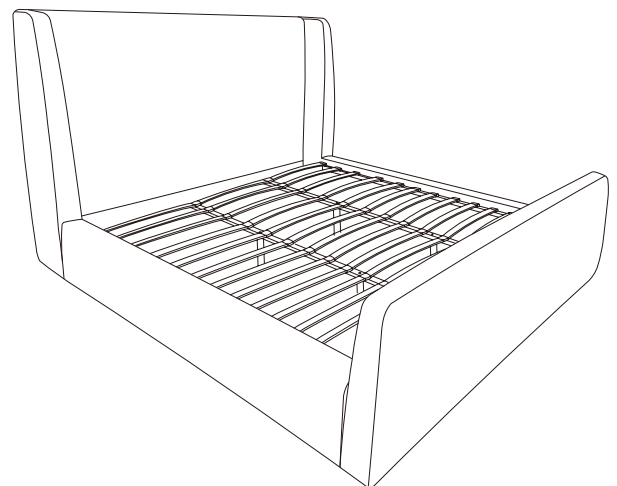


## BOX#3

- E. LEFT SIDE RAIL 1 PC
- F. RIGHT SIDE RAIL 1 PC
- G. SLAT 39 PCS
- H. CENTER SLAT SUPPORT 2 PCS
- I. SIDE RAIL SLAT CLIP 26 PCS
- J. CENTER SUPPORT SLAT CLIP 26 PCS
- K. SLAT SUPPORT LEG 4 PCS



## FULLY ASSEMBLED

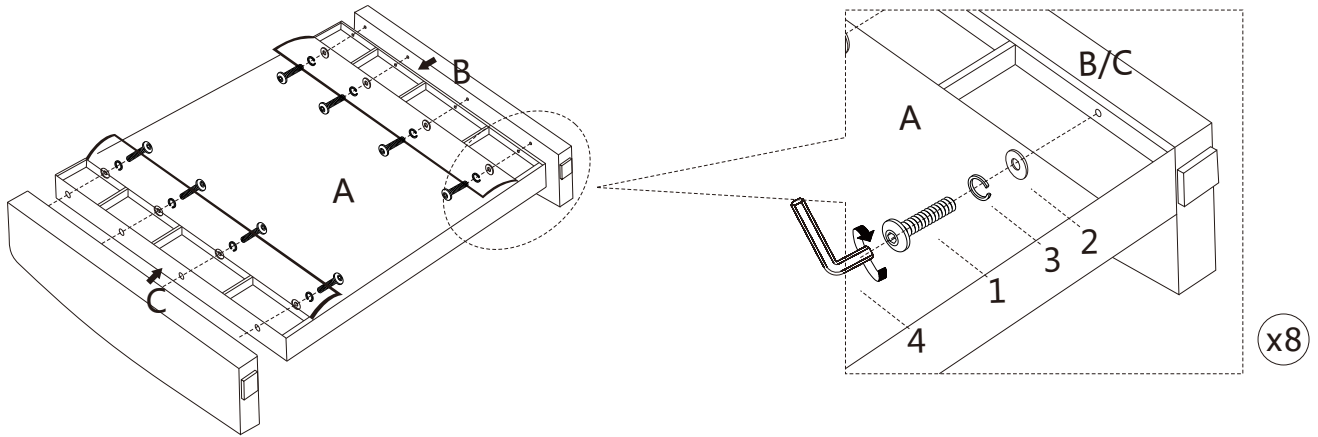


# PRESLEY UPHOLSTERED WING BED C.KING/E.KING ASSEMBLY INSTRUCTIONS



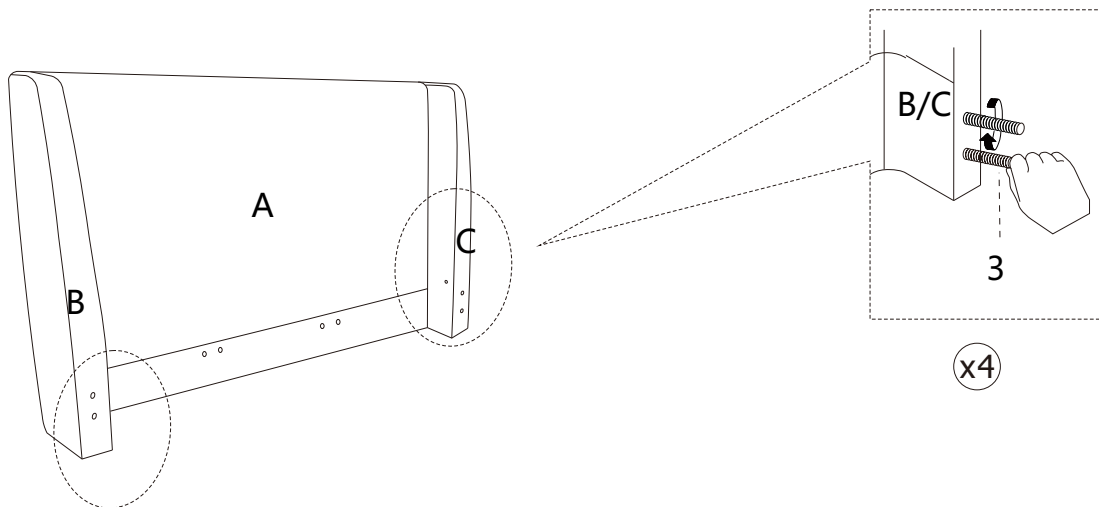
## STEP 1

NOTE: USE HARDWARE PACKED IN BOX #1 FOR STEP 1.

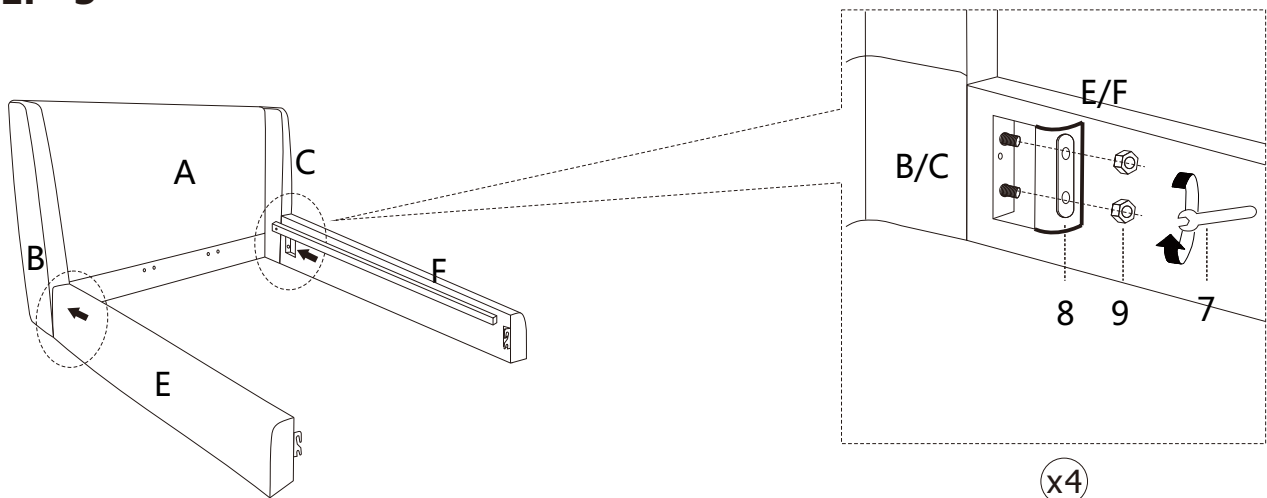


## STEP 2

NOTE: USE HARDWARE PACKED IN BOX #2 FOR STEP 2 AND ALL STEPS THAT FOLLOW.



## STEP 3

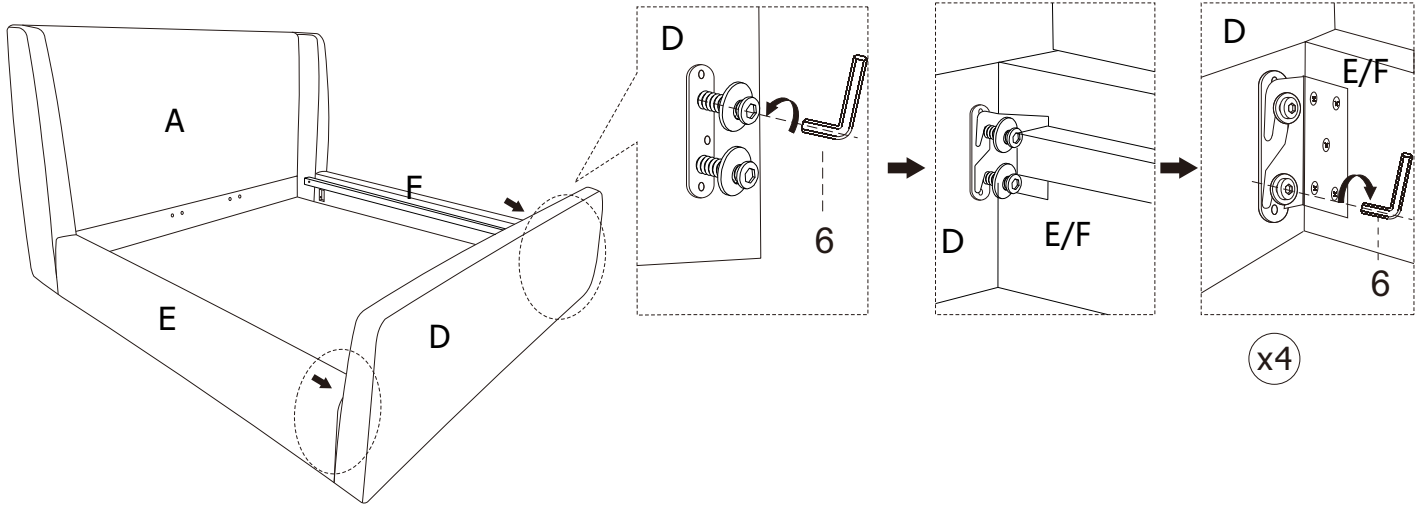




# PRESLEY UPHOLSTERED WING BED C.KING/E.KING ASSEMBLY INSTRUCTIONS



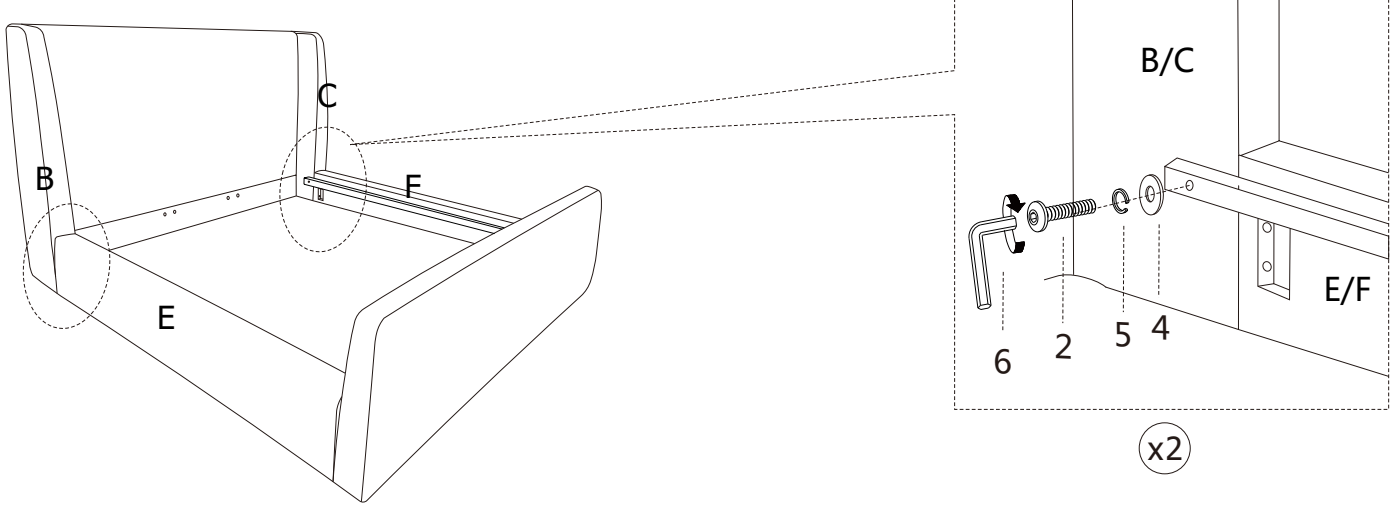
## STEP 4



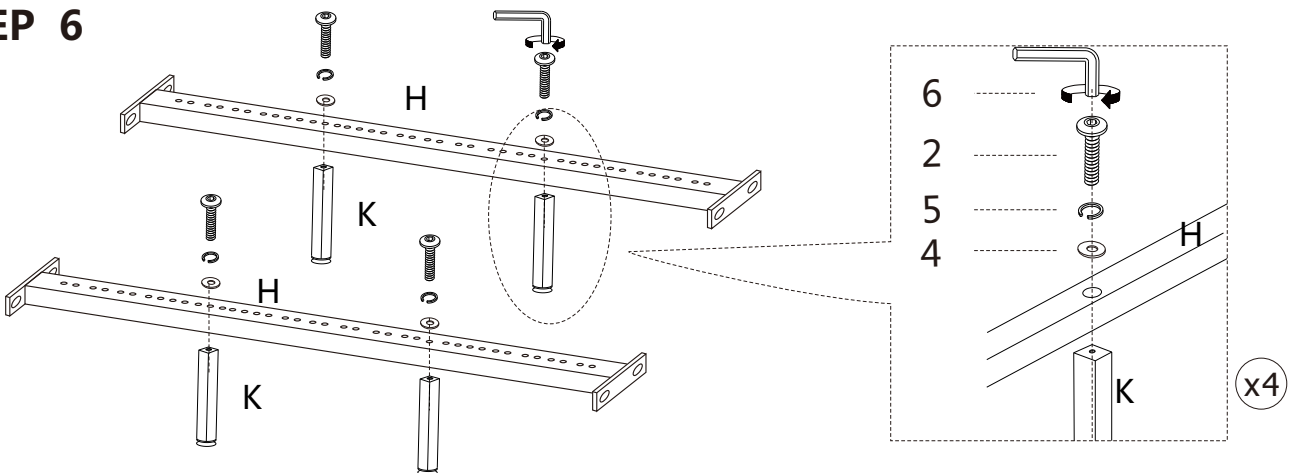
## STOP

• IF USING BED WITH AN ADJUSTABLE MATTRESS BASE, SKIP STEPS 5, 6, 7, 8 & 9 AND REFERENCE APPENDIX A: ADJUSTABLE MATTRESS BASE ASSEMBLY SUPPLEMENT. IF USING BED FRAME WITH STANDARD BOX SPRING OR FOUNDATION, CONTINUE TO STEP 5.

## STEP 5



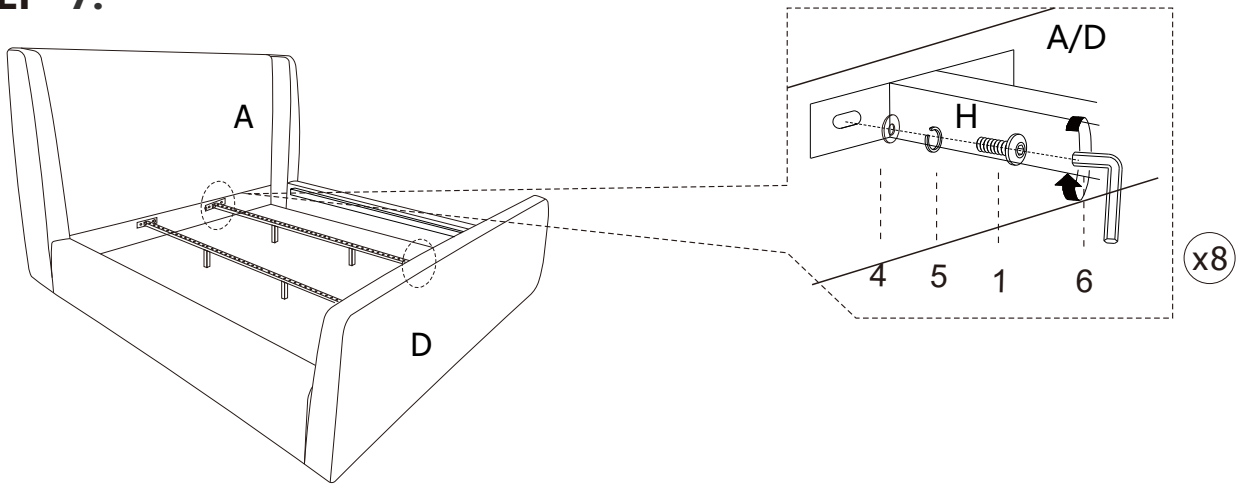
## STEP 6



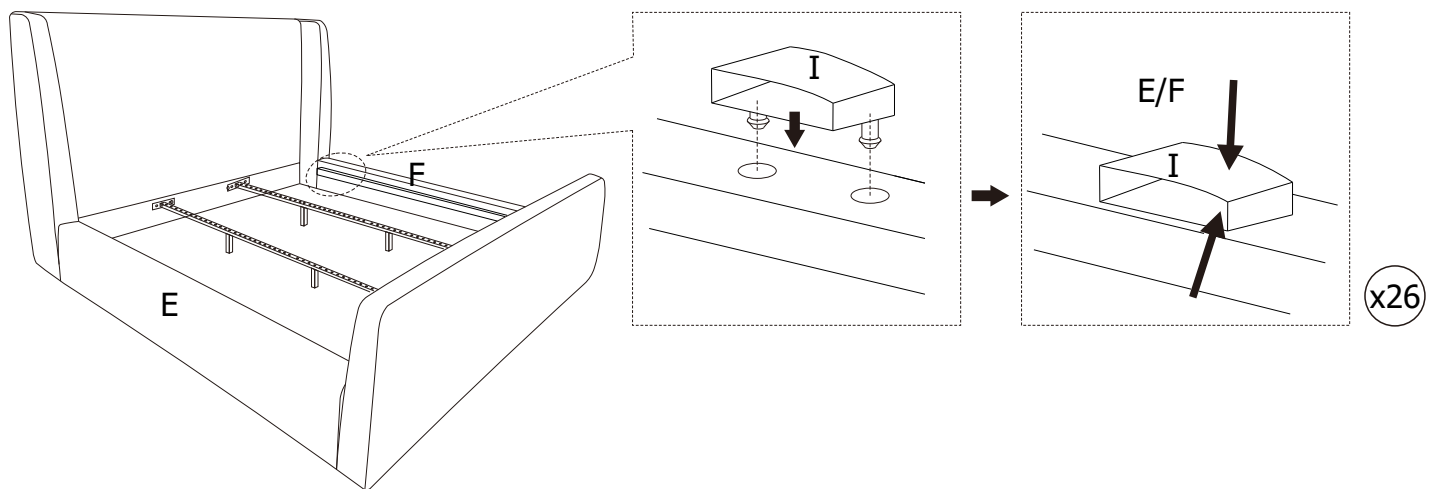
# PRESLEY UPHOLSTERED WING BED C.KING/E.KING ASSEMBLY INSTRUCTIONS



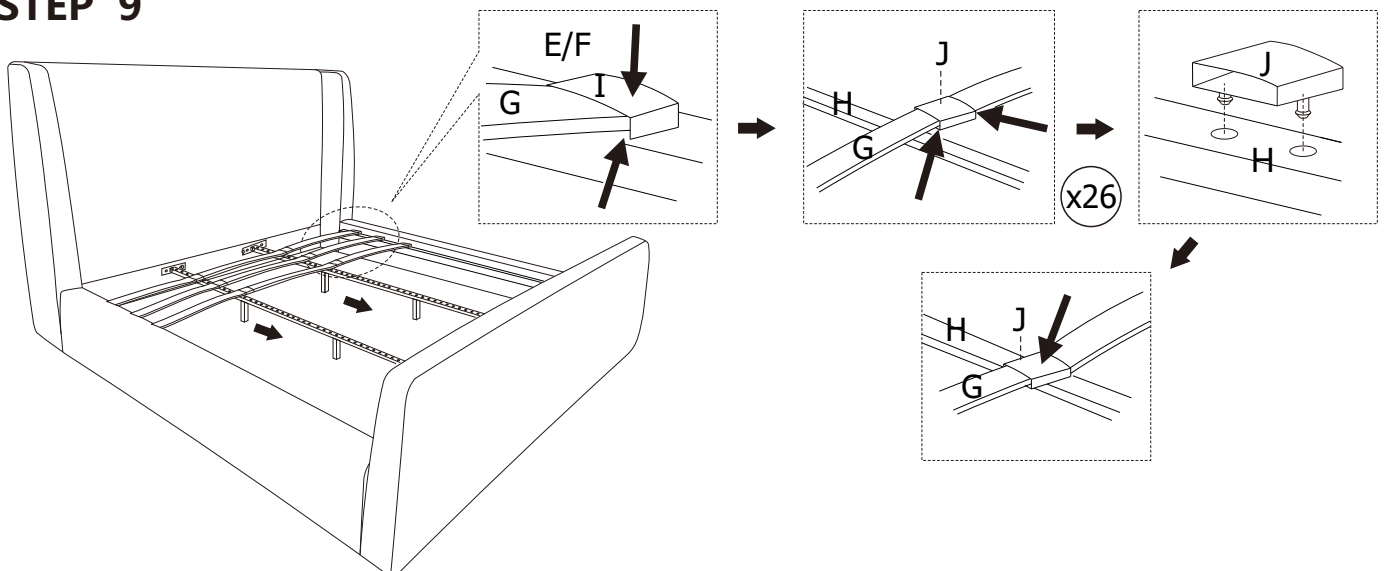
## STEP 7:



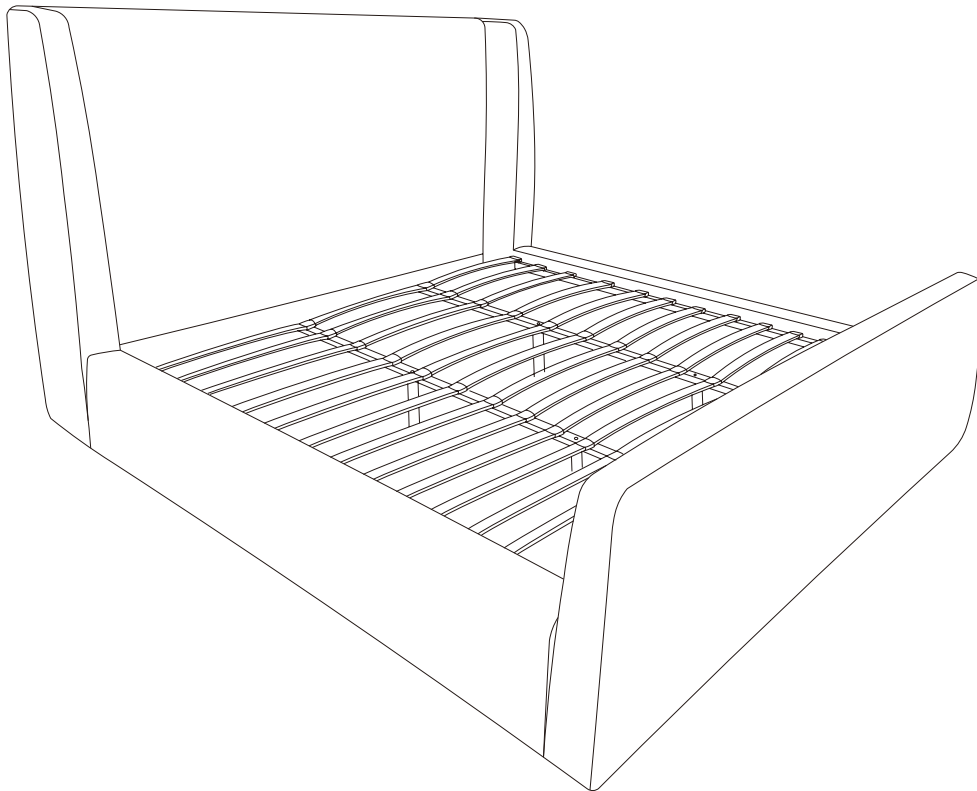
## STEP 8: STARTING FROM HEADBOARD



## STEP 9



# PRESLEY UPHOLSTERED WING BED C.KING/E.KING ASSEMBLY INSTRUCTIONS



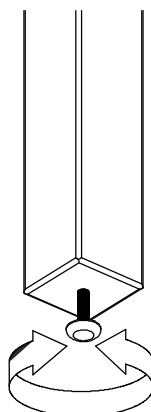
## ASSEMBLY COMPLETE.

### INSTRUCTIONS FOR ADJUSTING LEVELERS:

POSITION THE BED IN YOUR ROOM.  
LOCATE LEVELERS UNDER EACH  
SUPPORT LEG ( K ).

TURN COUNTER-CLOCKWISE TO  
EXTEND, CLOCKWISE TO RETRACT.

ADJUST LEVELERS UNTIL EACH LEG  
SUPPORT IS APPLYING EQUAL UPWARD  
PRESSURE ON THE CENTER SLAT.



### MAINTENANCE INSTRUCTIONS:

- PERIODICALLY CHECK ALL FITTINGS AND TIGHTEN IF NECESSARY, AS THEY CAN LOOSEN OVER TIME.
- ALWAYS REMOVE BOX SPRING AND MATTRESS BEFORE MOVING THE BED.
- LIFT THE BED WHEN MOVING IT. DRAGGING THE BED CAN DAMAGE THE CENTER SUPPORT.
- READJUST LEVELERS AFTER MOVING THE BED.