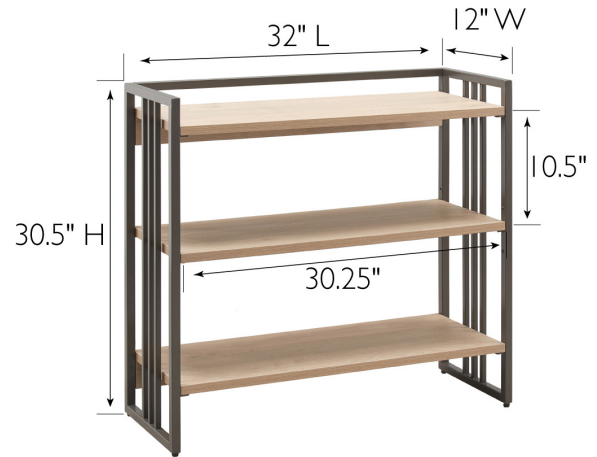


Mixed Metal and Wood Slatted Bookshelf
White Oak/Gunmetal Gray



SPECIFICATIONS

MATERIAL CONSTRUCTION:	Iron + HPL
ASSEMBLY REQUIRED:	Yes
TOOLS NEEDED FOR ASSEMBLY:	Allen Wrench + Screw Driver
ASSEMBLED DIMENSIONS:	30.5" H x 32" L x 12" W
ASSEMBLED WEIGHT:	39 lbs.
ADJUSTABLE SHELVES:	Yes
ADJUSTABILITY INCREMENTS:	2"
SHELF CLEARANCE:	10.5"
FRAME STYLE:	Mission
FRAME MATERIAL:	Iron
TOP MATERIAL:	HPL
SIDES MATERIAL:	Iron
FINISH TYPE:	Laminate



WARRANTY: 1-Year limited warranty
 TITLE IV COMPLIANT: Yes
 PROP 65 HARMFUL MATERIAL: Wood Dust



TYPE: JOB: ORDER CODE: APPROVALS:
--