

## Libella® ECOPOWER® Faucet

### FEATURES

- Self-generating hydropowered ECOPOWER system
- No minimum daily usage requirement
- Micro-sensor positioned underneath the spout head for accurate hand detection ensuring smooth and consistent water distribution
- Vandal resistant aerator housing
- Durable chrome plated spout body
- Single-hole mount
- Kit includes spout body, controller box, and mounting hardware; supply lines not included
- 0.35 gpm aerated flow
- Contributes to earning LEED® credits

### MODELS

- TEL1A3-D20E**
  - TELS1A3 (Libella Spout)
  - TELC103-D20E (Controller: 0.11gpc, 20 sec on-demand)
- TEL1A3-D20EM
  - **TEL1A3-D20E** (Libella Spout Kit)
  - TLM10 (Mixing Valve)
- TEL1A3-D20ET
  - **TEL1A3-D20E** (Libella Spout Kit)
  - TLT20 (Thermostatic Mixing Valve)

### COLORS/FINISHES

- #CP Polished Chrome

### OPTIONAL ACCESSORIES

- THP3158#CP - 4" Cover Plate
- THP3159#CP - 8" Cover Plate
- THP3237 - Swivel Coupling

### PRODUCT SPECIFICATION

TOTO Model # \_\_\_\_\_ The faucet shall have hydropowered self-generating, ECOPOWER System. The faucet shall have maximum of 20 seconds on-demand flow (0.11gpc). The faucet shall have self-adjusting sensor. Product equipped with 0.35gpm flow regulator.



### CODES/STANDARDS

- Operates below federally mandated consumption limit of 0.25gpc
- Complies to California Green Building Code/ CALGreen of 0.20gpc
- Meets or exceeds ASME A112.18.1M/CSA B125.1, and NSF372-2011
- Certifications: IAPMO(cUPC), California Energy Commission (CEC) State of Massachusetts, and others
- Complies with California Green Code and City of Los Angeles Water Efficiency Ordinance
- ADA compliant
- Complies with Federal and State statutes as low-lead (contains a weighted average of 0.25% lead or less)
- Complies with CA Prop 65 warning requirements

\* For codes and standards of mixing valve TLM10 and TLT20, please refer to corresponding product spec sheet.



# TEL1A3 Series

## Libella® ECOPOWER® Faucet

### SPECIFICATIONS

<b>Power Supply</b>	ECOPOWER
<b>Sensor Detection Range</b>	5-1/8" - 7-7/8" (130 - 200mm) Sensor is self-adjusting
<b>Water Supply Pressure</b>	Min Flowing) Pressure: 15 psi (100kPa) Max (Static) Pressure: 80 psi (551kPa)
<b>Water Supply</b>	G1/2 (1/2 NPSM compatible)
<b>Inlet Temperature Range</b>	32-110°F(0-42°C)
<b>Ambient Temperature</b>	32-104°F(0-40°C)
<b>Humidity</b>	Max. 90% RH
<b>Flow Rate</b>	0.11 gpc* - max 20 second On-Demand** (0.11 gpc = 0.35 gpm x 20/60 sec) Equipped with 0.35 gpm flow control
<b>Warranty</b>	Three years limited

\*Gallons per cycle (gpc) is the amount of water per usage cycle.

\*\*On-demand refers to the way in which the water is dispersed (i.e.; water is only dispersed when the sensor is activated by the user as needed).

### NOTE

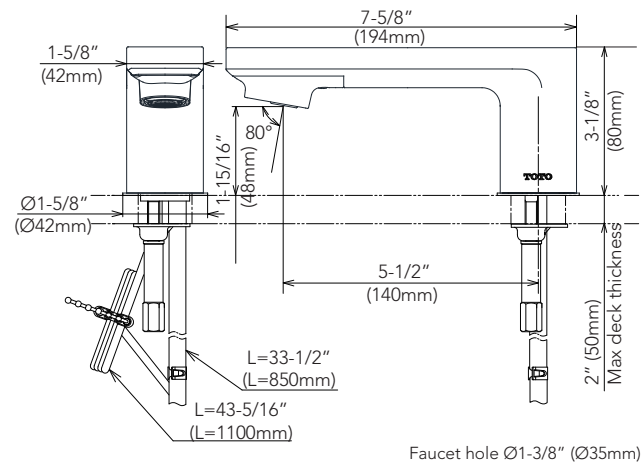
Following the federal mandate for water efficiency outlined in the Environmental Protection Act of 1992, faucets can be rated for water consumption based on two categories: Flow Rate and Water Consumption. TOTO uses the water consumption standard because it is the most accurate method of measuring water use. TOTO faucets also comply with the CALGreen Guideline of water usage.

#### Water Saving

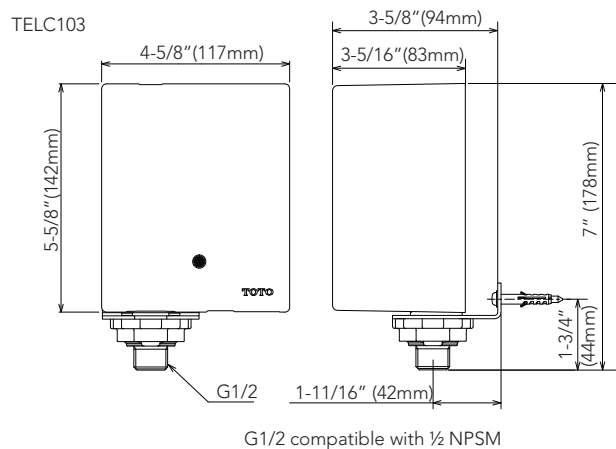
On-Demand [20 sec.] faucet (0.11gpc)  
Federal Standard (0.25gpc) – 56% less  
CAL Green (0.20gpc) – 45% less

### PRODUCT DIMENSIONS

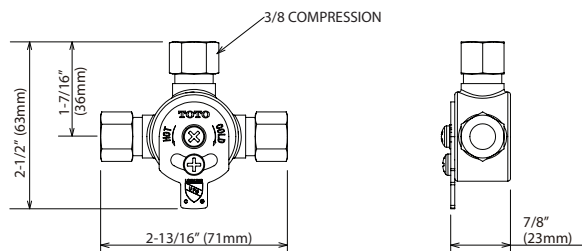
#### Libella



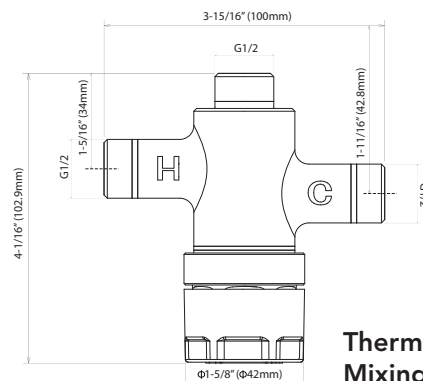
#### Controller



#### Available Mixing Valves



Hot/Cold Mixing Tee (TLM10)



Thermostatic Mixing Valve (TLT20)

**TOTO**

These dimensions and specifications are subject to change without notice