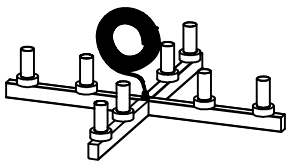


# ASSEMBLY INSTRUCTION

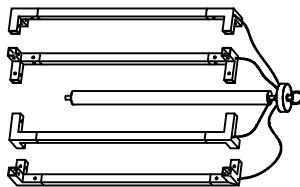
## ACRYLIC PENDENT LIGHT

**A** Light Body



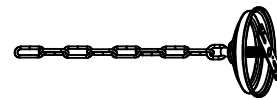
1pc

**B** Frame



1pc

**C** Ceiling Base & Chain



1pc

**D** Acrylic Post  
580\*25\*25mm



8pcs

**E** Bolt  
Ø1/8"\*6mm



32pcs

**F** Flat Washer  
Ø5/32"\*12mm



2pcs

**G** Bolt  
Ø5/32"\*25mm



2pcs

**H** Wire Connector  
Ø9.9\*17.7mm



2pcs

**I** Wire Connector  
Ø8.6\*15.2mm



1pc

**J** Screw Driver

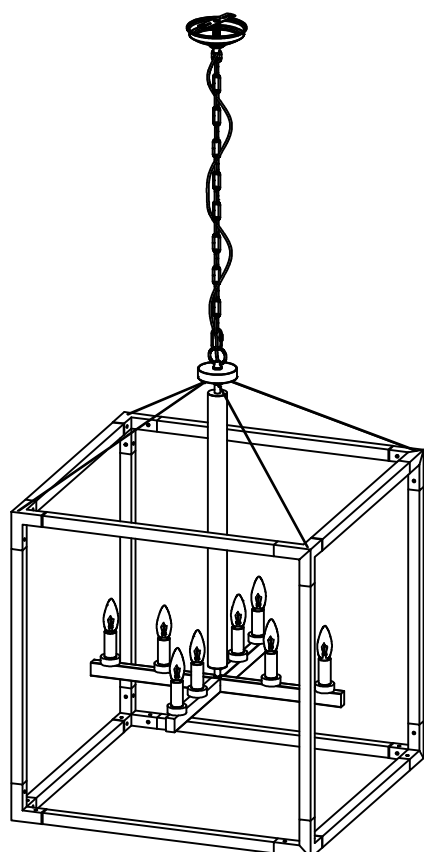


1pc

**K** Bulb  
E12



8pcs

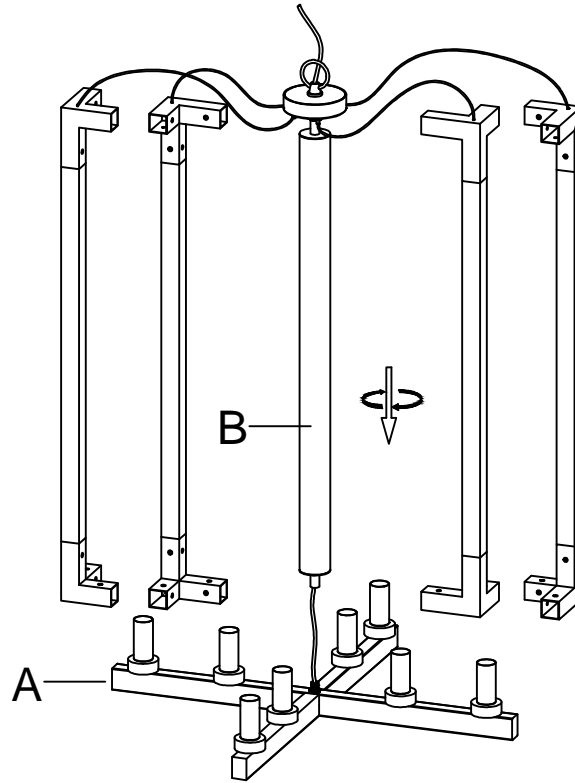


### IMPORTANT SAFETY INSTRUCTIONS

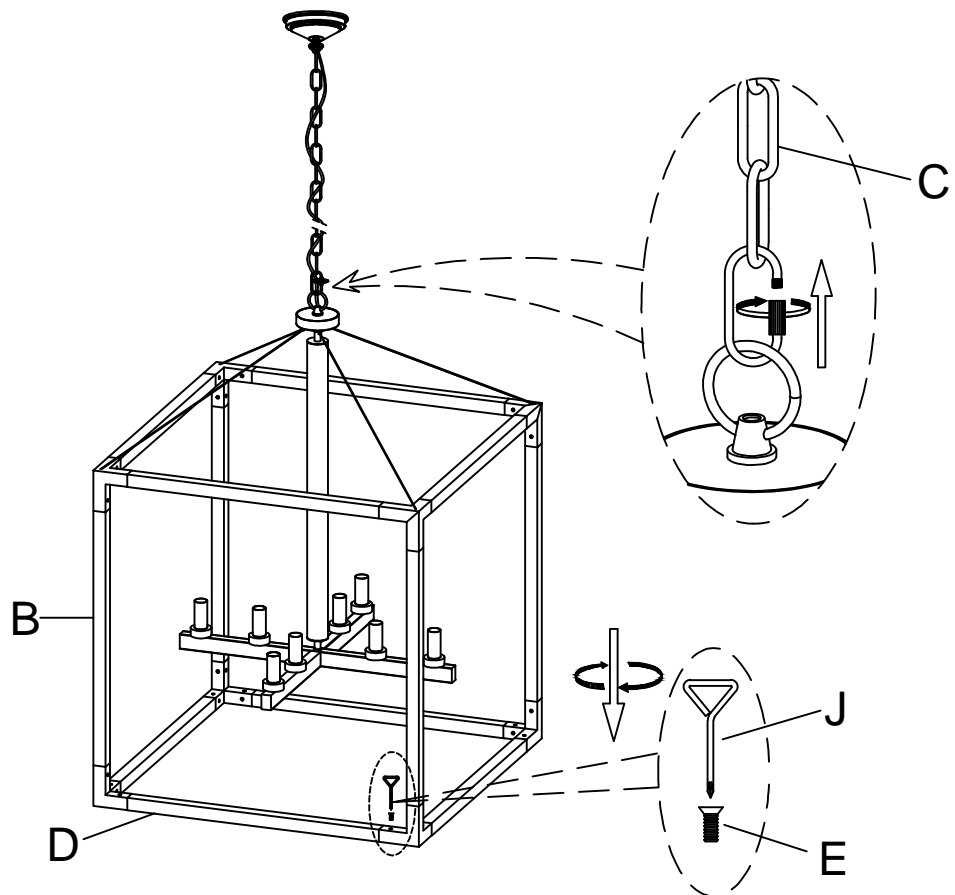
THIS PENDANT LAMP HAS A POLARIZED PLUG (ONE BLADE IS WIDER THAN THE OTHER) AS A SAFETY FEATURE TO REDUCE THE RISK OF ELECTRIC SHOCK. THIS PLUG WILL FIT IN A POLARIZED OUTLET ONLY ONE WAY. IF THE PLUG DOES NOT FIT FULLY IN THE OUTLET, REVERSE THE PLUG. IF IT STILL DOES NOT FIT, CONTACT A QUALIFIED ELECTRICIAN. NEVER USE WITH AN EXTENSION CORD UNLESS PLUG CAN BE FULLY INSERTED. DO NOT ALTER THE PLUG.

This page lists all the contents included in the box. Please take the time to identify the hardware as well as the individual components to this product. As you unpack and prepare for assembly, place the contents on a carpeted or padded area to protect them from damage.

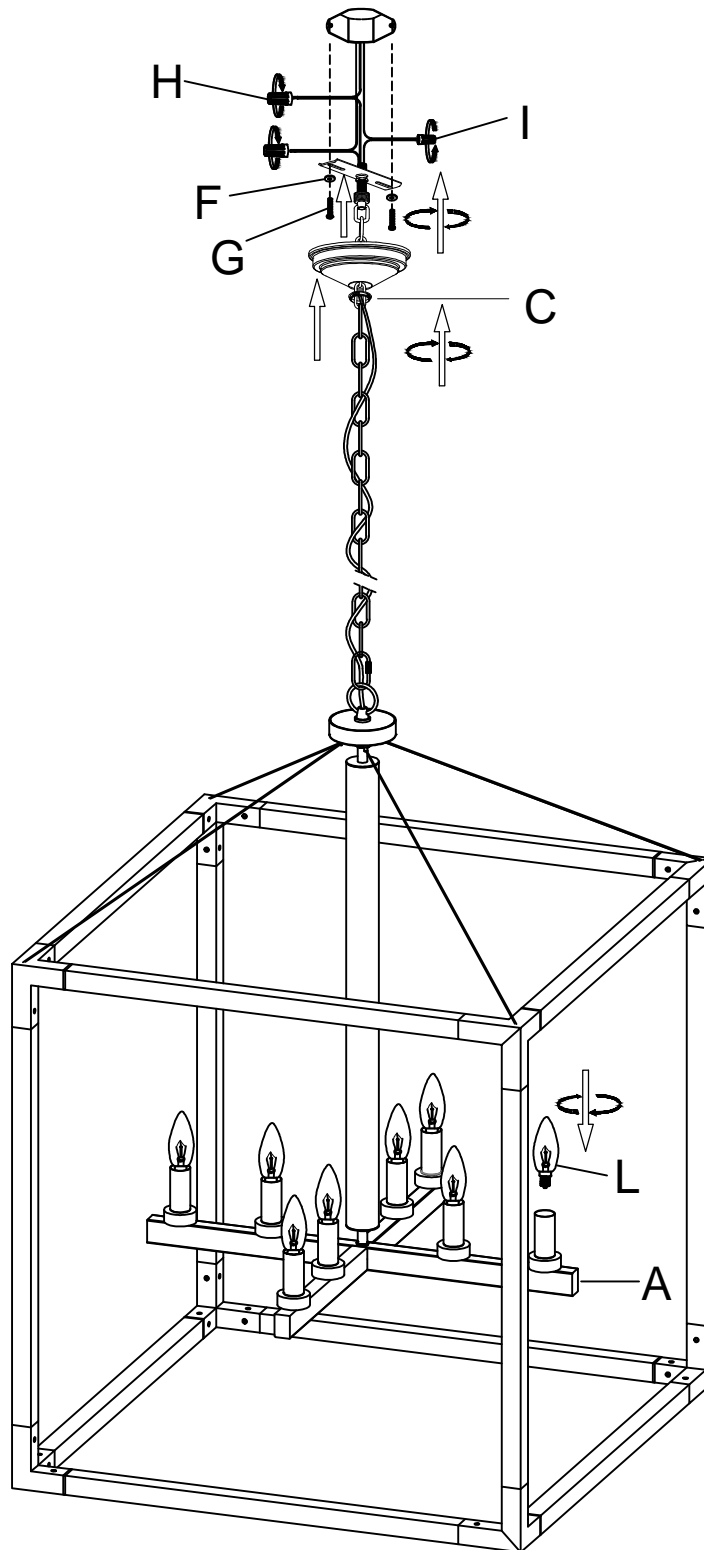
- 1** The cable of Light Body (A) goes through the center tube and the top cap of Frame (B), then assemble the center tube of Frame (B) to Light Body (A).



- 2** Assemble Acrylic Post (D) to Frame (B) using Bolt (E) by Screw Driver (J). Secondly, Connect the Ceiling Base & Chain (C) together with Frame (B). Take the cable out from the center and follow the Ceiling Base & Chain (C) to go up to the ceiling.



- 3** Firstly, connect the Wire Connector (H) & Wire Connector (I) together with wire and then fix the bracket of Ceiling Base & Chain (C) on the ceiling with Bolt (G) and Flat Washer (F) by screwdriver. Secondly, put the Ceiling Base & Chain (C) back to cover the bracket. Finally, assemble Bulb (L) to the lamp holder of Light Body (A).



### Cleaning & Care

Treat surface with care. Surface is resistant to scratches but is not scratch resistant. Clean surfaces with a dry or damp soft cloth. Do not use abrasive cleaners. Hardware may loosen over time. Periodically check that all connections are tight.