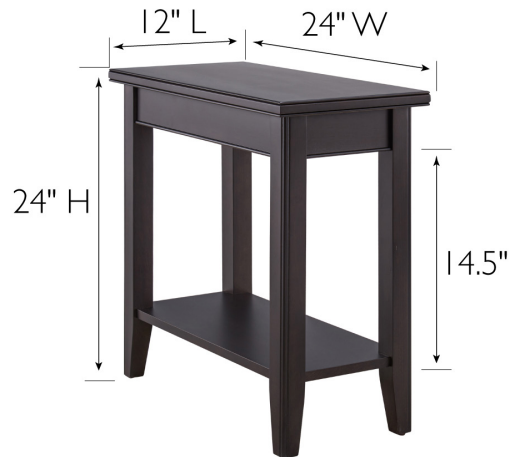


Laurent Narrow End Table with Shelf
Black



SPECIFICATIONS

MATERIAL CONSTRUCTION:	Poplar with Birch Veneers
ASSEMBLY REQUIRED:	Yes
TOOLS NEEDED FOR ASSEMBLY:	Allen Wrench
ASSEMBLED DIMENSIONS:	24" H x 12" L x 24" W
ASSEMBLED WEIGHT:	19 lbs.
SHELF STYLE:	Flat
SHELF DIMENSIONS:	5.5" H x 23.15" L x 10" W
FRAME STYLE:	Leg Frame
FACE FRAME MATERIAL:	Wood
TOP MATERIAL:	Solid + MDF
SIDES MATERIAL:	Wood
BOTTOM MATERIAL:	Wood
FINISH TYPE:	Stained



WARRANTY: 1-Year limited warranty
TITLE IV COMPLIANT: Yes
PROP 65 HARMFUL MATERIAL: Wood Dust



TYPE: JOB: ORDER CODE: APPROVALS:
--