

**Ecostat Square  
Pressure Balance Trim**

Finishes : **brushed nickel** Part no. : **15724821**



**Description**

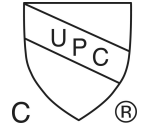
**Features**

- Flow: 5.44 GPM (20.6 L/Min)
- Integrated bypass for use with diverter tub spouts
- Temperature and on/off control for 1 outlet

**Item details**

List Price \$ 274.00

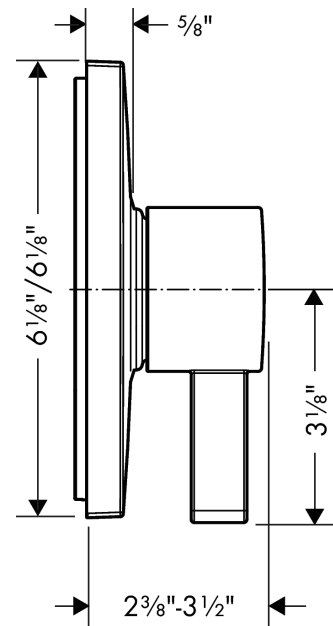
**Compliance**



**Product image**



**Scale drawing**



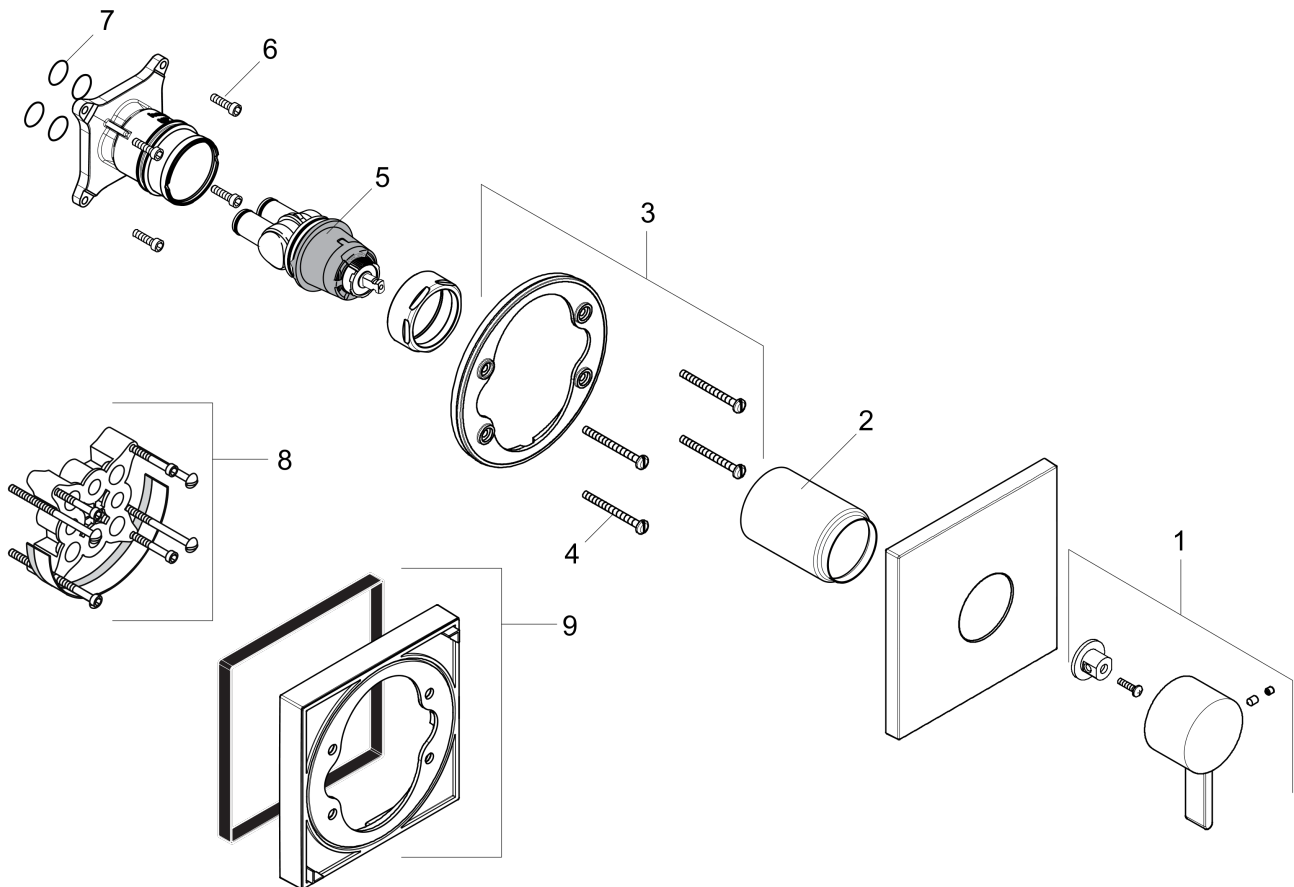
**Ecostat Square  
Pressure Balance Trim**

Finishes : **brushed nickel** Part no. : **15724821**



**Exploded drawing**

Year of production: >07/18



**Ecostat Square  
Pressure Balance Trim**

Finishes : **brushed nickel** Part no. : **15724821**



**Spare parts list**

Year of production: >07/18

| Pos. | Description           | Part no. | Price | PU |
|------|-----------------------|----------|-------|----|
| 1    | handle                | 88763820 | -     | 1  |
| 2    | sleeve                | 88765820 | -     | 1  |
| 3    | holder for escutcheon | 98793000 | -     | 1  |
| 4    | set of fixing screws  | 96454000 | -     | 1  |
| 5    | cartridge, assy       | 88727000 | -     | 1  |
| 6    | set of screws         | 96525000 | -     | 1  |
| 7    | O-ring 16x2           | 98133000 | -     | 1  |
| 8    | extension 25 mm       | 13595000 | -     | 1  |
| 9    | extension 22 mm       | 13593820 | -     | 1  |