

**Croma**  
**Showerpipe 220 1-Jet, 2.5 GPM**  
 Finishes : **brushed nickel** Part no. : **27185821**



## Description

### Features

- Consists of: Showerhead, Handshower, Thermostatic shower mixer, Handshower hose
- Height-adjustable hand shower holder
- Flow: 2.5 GPM (9.5 L/Min)
- Shower arm swivels left and right
- Anti-scald 100° safety stop
- Integrated volume control/diverter for 2 functions
- Outlets may not be operated simultaneously
- Exposed installation
- Thermostatic cartridge
- Built-in service stops

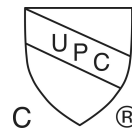
## Item details

List Price \$ 1,252.00

## Technology



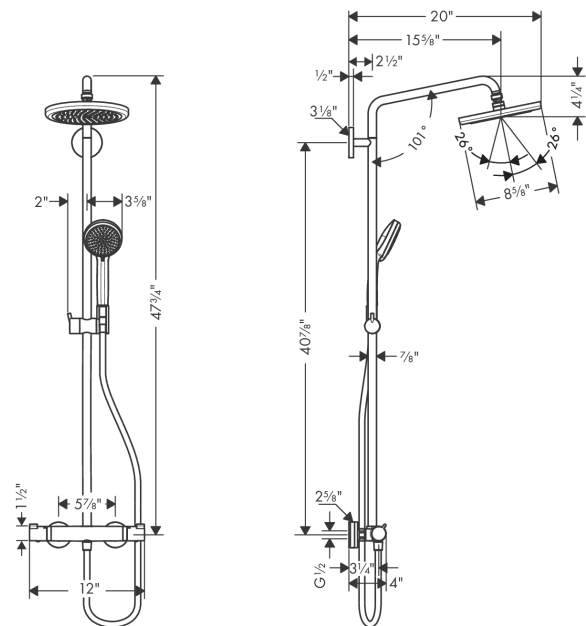
## Compliance



## Product image



## Scale drawing



Croma

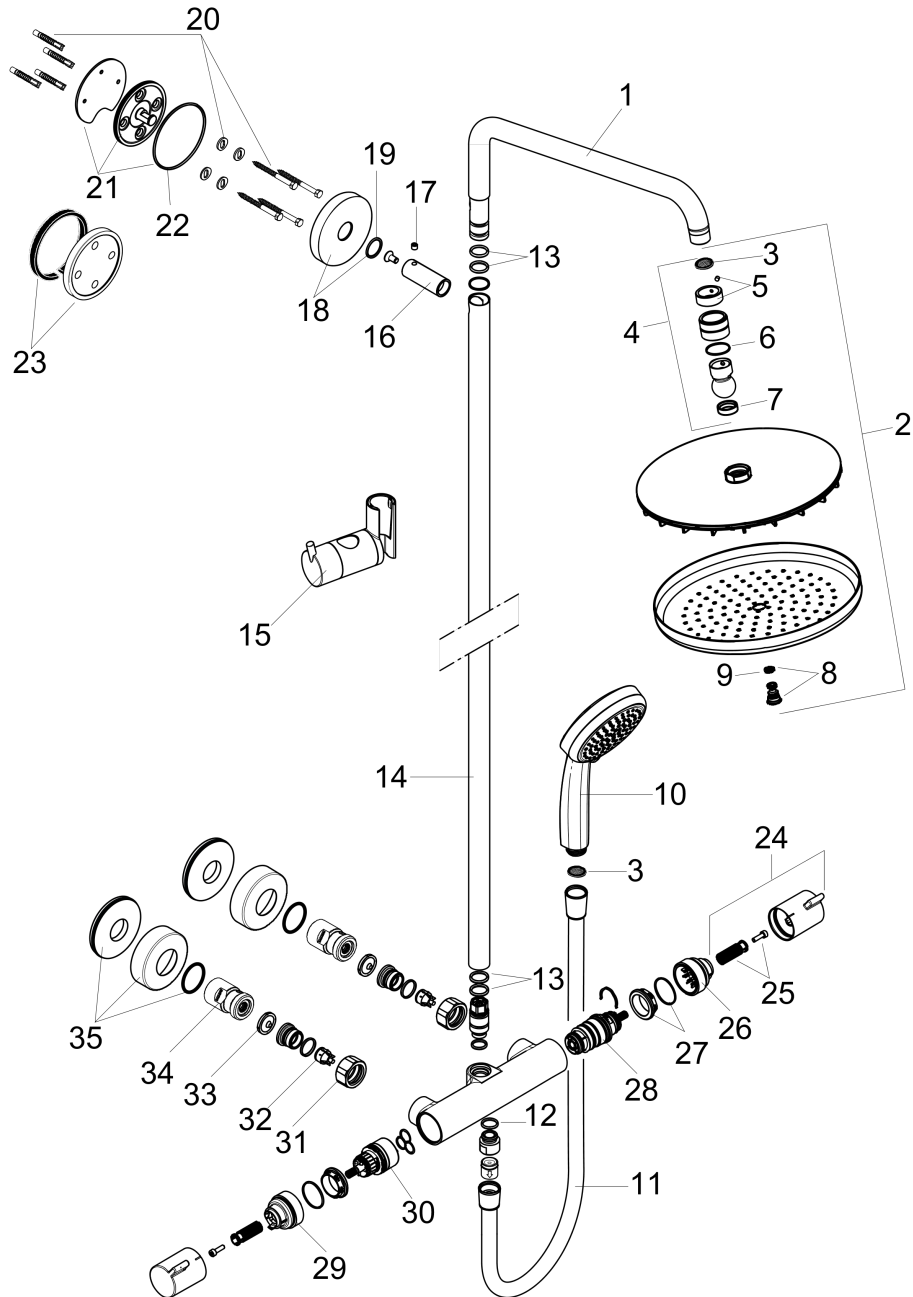
Showerpipe 220 1-Jet, 2.5 GPM

Finishes : brushed nickel Part no. : 27185821



Exploded drawing

Year of production: >04/15



## Croma

### Showerpipe 220 1-Jet, 2.5 GPM

Finishes : **brushed nickel** Part no. : **27185821**



## Spare parts list

Year of production: >04/15

| Pos. | Description                        | Part no. | Price | PU |
|------|------------------------------------|----------|-------|----|
| 1    | shower arm                         | 95985820 | -     | 1  |
| 2    | showerhead cpl.                    | 26465821 | -     | 1  |
| 3    | filter packing                     | 94246000 | -     | 1  |
| 4    | ball joint                         | 98941000 | -     | 1  |
| 5    | lock washer                        | 98942820 | -     | 1  |
| 6    | lever collar                       | 97536000 | -     | 1  |
| 7    | seal                               | 97606000 | -     | 1  |
| 8    | air jet                            | 95794820 | -     | 1  |
| 9    | O-ring 7x2                         | 98419000 | -     | 1  |
| 10   | handshower                         | 04073820 | -     | 1  |
| 11   | shower hose 1,60 m                 | 28276823 | -     | 1  |
| 12   | O-ring 14x2                        | 98129000 | -     | 1  |
| 13   | O-ring 15x2,5                      | 98131000 | -     | 1  |
| 14   | pipe 1030 mm                       | 95915820 | -     | 1  |
| 15   | support, assy                      | 97651820 | -     | 1  |
| 16   | sleeve                             | 92166820 | -     | 1  |
| 17   | hollow set screw M6x5              | 98447000 | -     | 1  |
| 18   | escutcheon Ø 80 mm                 | 95691820 | -     | 1  |
| 19   | O-ring 20x2                        | 98165000 | -     | 1  |
| 20   | mounting set                       | 98716000 | -     | 1  |
| 21   | wall flange                        | 95687000 | -     | 1  |
| 22   | O-ring 72x2                        | 98395000 | -     | 1  |
| 23   | tile-matching-disk                 | 98681000 | -     | 1  |
| 24   | handle                             | 95836821 | -     | 1  |
| 25   | handle fixing set                  | 95843001 | -     | 1  |
| 26   | safety set for temperature control | 95839001 | -     | 1  |
| 27   | nut                                | 98913000 | -     | 1  |
| 28   | thermostat cartridge               | 98282000 | -     | 1  |
| 29   | stop ring for flow control         | 95927000 | -     | 1  |
| 30   | shut off unit with selector        | 98283000 | -     | 1  |
| 31   | set of nuts                        | 96157820 | -     | 1  |
| 32   | non return valve                   | 96737000 | -     | 1  |
| 33   | filter packing                     | 96922000 | -     | 1  |
| 34   | isolation valve                    | 98341820 | -     | 1  |
| 35   | escutcheon                         | 98340820 | -     | 1  |
| a    | O-ring 26x1,5                      | 98390000 | -     | 1  |
| b    | O-ring 12x2,25                     | 98382000 | -     | 1  |
| c    | O-ring 17x1,5                      | 98137000 | -     | 1  |