



ASSEMBLY INSTRUCTION

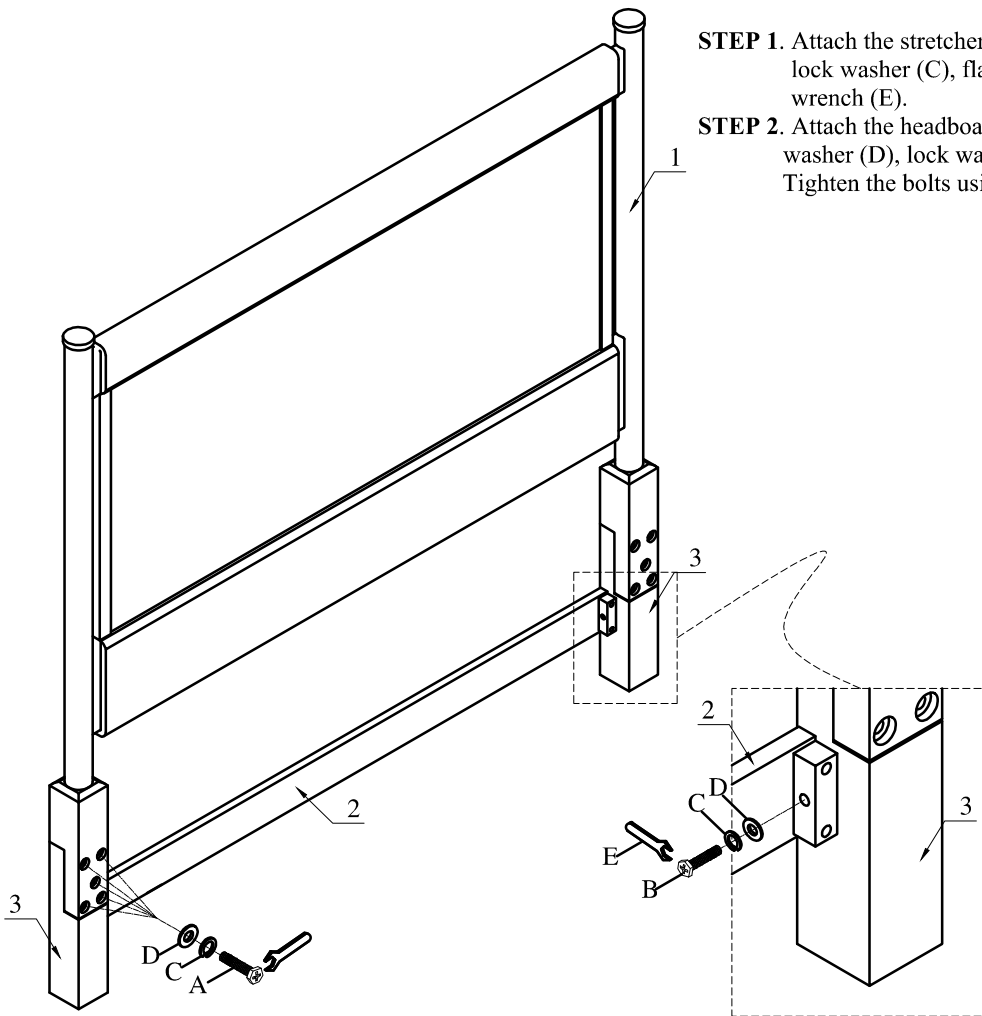
Item: 6050-90951 5/0 Upholstered Headboard
6050-90967 6/0-6/6 Upholstered Headboard

Thank you for purchasing this quality product. Be sure to unpack carefully looking for small parts which may have come loose during shipment.

Read all instruction and study the drawing carefully before starting the assembly process.

HARDWARE PACK				
NO	DRAWING	DESCRIPTION	SIZE	Q'ty
A		Hexagonal Bolt	φ5/16"*2"	10pcs
B		Hexagonal Bolt	φ5/16"*1-1/2"	2pcs
C		Lock Washer	φ5/16"	12pcs
D		Flat Washer	φ5/16"*19D	12pc
E		Open Wrench	13mm	1pc

PARTS LIST			
NO	DRAWING	Description	Q'ty
1		headboard panel	1 pc
2		stretcher	1 pc
3		headboard leg (left & right)	2 pcs



STEP 1. Attach the stretcher (2) to the headboard leg(3) using bolt (B), lock washer (C), flat washer (D) and tighten them using open wrench (E).

STEP 2. Attach the headboard panel (1) to headboard leg (3) with flat washer (D), lock washer (C) and bolt (A). Five pieces per leg. Tighten the bolts using open wrench (E).

STEP 1

STEP 2