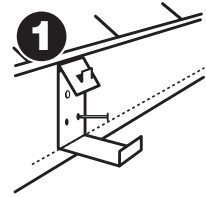
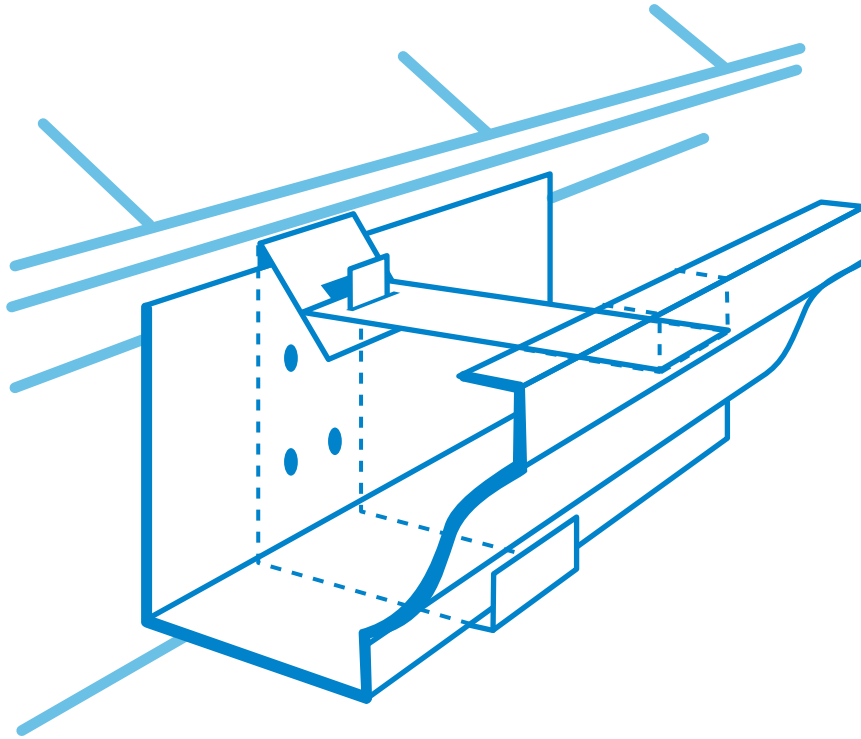
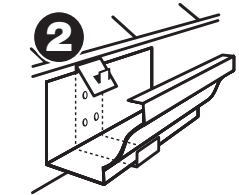


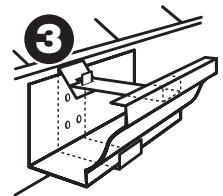
FOR 5 in. K-STYLE GUTTER • 18 GAUGE GALVANIZED STEEL • POLYESTER PAINT • 4 PACK



Align bracket to the guide string, nail directly to the fascia



Place gutter into bracket



Secure with snap-on cross piece