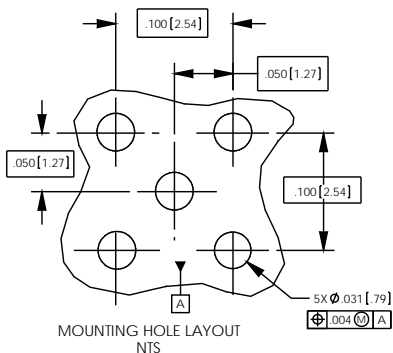
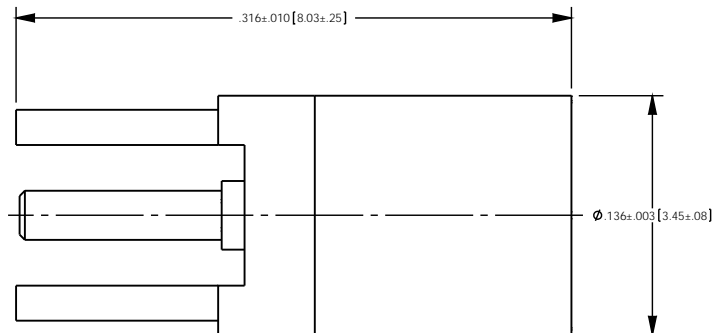
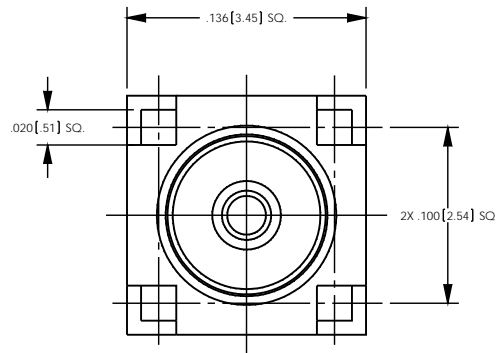
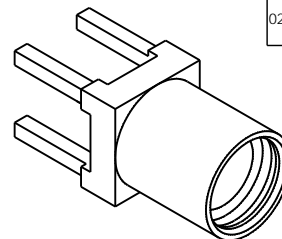


NOTES: UNLESS OTHERWISE SPECIFIED.

- FOR GENERAL SERIES SPECIFICATIONS SEE SD47-0000
- MATERIALS:
 BODY: COPPER ALLOY
 CONTACT: COPPER ALLOY
 INSULATOR: PTFE PER ASTM D1710
- FINISHES:
 BODY: .000015 MIN GOLD PER ASTM B4888 OVER
 .000100 MIN COPPER PER ASTM B734 (RoHS)
 CONTACT: .000030 MIN GOLD PER ASTM B4888 OVER
 .000100 MIN COPPER PER ASTM B734 (RoHS)
- ELECTRICAL SPECIFICATIONS:
 IMPEDANCE: 50 OHMS
 DESIGNED TO PASS NON-MAGNETIC, B0 TEST

| REV | DESCRIPTION | BY | APPD |
|-----|----------------------|-----------|------|
| 02 | REVISED PER ER042909 | ZL/REJ/12 | MG |



CATALOG P/N: 471-040-0043HN

| | | | | | |
|---|----------|----------------------------|----------|---|--|
| PER ASME Y14.5M-1994 UNLESS OTHERWISE SPECIFIED: DIMENSIONS ARE IN INCHES (MM) TOLERANCES: DECIMAL: XX ± .01 (0.3) .XXX ± .005 (0.13) .XXXX ± .XXXX ANGLES: ± 2° | | SCALE: 12:1 THIRD ANGLE | | KINGS Winchester Electronics Corporation 62 Barnes Industrial Road North Wallingford, Connecticut 06492 | |
| CUSTOMER SALES DRAWING | | | | MMCX PCB STRAIGHT JACK NON-MAGNETIC (RoHS) | |
| DRAWN | DATE | APPROVED | DATE | A SD471-040-0043HN SH1 1 OF 1 REV 02 | |
| DCam | 08/18/06 | DCam | 08/18/06 | | |
| APPROVED | DATE | APPROVED | DATE | | |
| XXX | XX/XX/XX | XXX | XX/XX/XX | | |