

Features:

GWS20918

Include Components:

- Combination GWS20918
- Bowl GMX21928
- Tank G0028990

- Vitreous China
- 12" Rough-In
- 3" Flush Valve for Maximum Water Force
- Gerber Pilot Fill Valve
- Corrosion-Resistant Flapper
- Extra-Large Dual Fed Siphon Jet for High Power Bowl Clearing
- 100% Glazed, 2" Large Trapway for Clog-Free Waste Removal
- Double Nut Multi-Point Tank-to-Bowl Mounting System for Tool-Free Installation
- Color Matched Tank Lever
- Color Matched Bolt Caps Included
- Toilet Seat Not Included



Technical Information:

Configuration	Two-Piece, ErgoHeight™ ADA Elongated Toilet
Water Consumption	1.28 gpf (4.8 Lpf)
Rough-In	12"
Height	30 1/8"
Width	17 3/8"
Depth	28 3/4"
Trapway	2"
Water Surface	8 11/16" x 6 5/16"
Shipping Weight Bowl	51.9 lbs
Shipping Weight Tank	30.4 lbs

Accessories Sold Separately:

N/A

Other Tank Options: (Sold Separately)

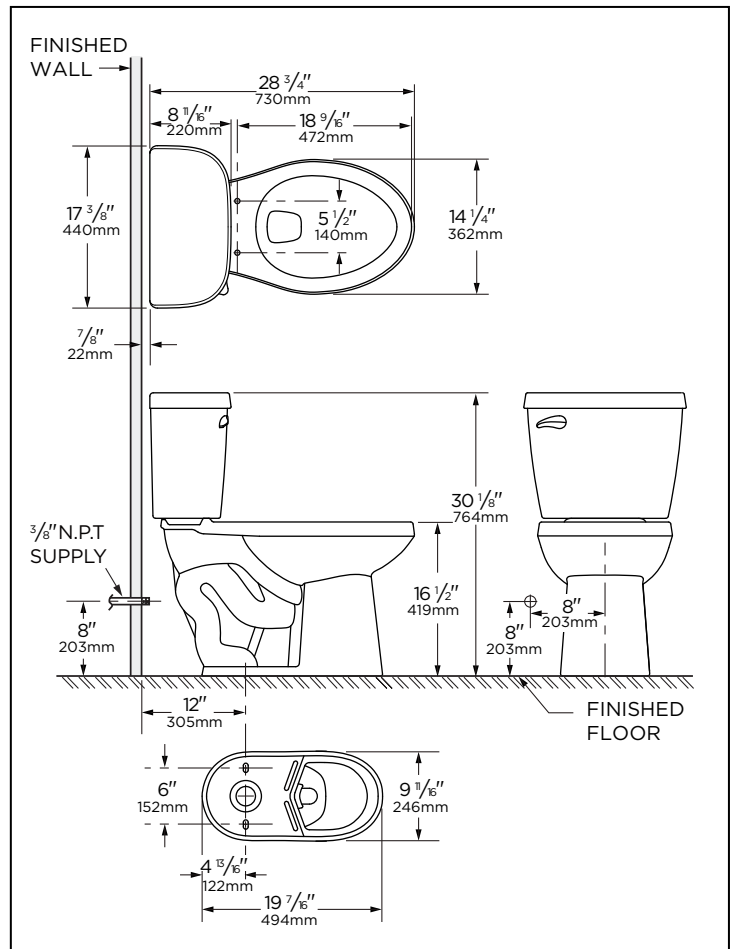
- Insulated Tank G0028992
- Tank with Right Hand Lever G002899097

Available Colors:

- White
- Other: Refer to Price Book for Additional Colors

Warranty:

- Limited Lifetime on Vitreous China, refer to the website for more details.



HIGH EFFICIENCY TOILET



NOTES: All dimensions are in inches and millimeters. Illustrations may not be drawn to scale.

IMPORTANT:

Dimensions of fixtures are nominal and may vary within the range of tolerances established by ASME standard A112.19.2/CSA B45.1 THIS FIXTURE QUALIFIES ACCORDING TO ASME TEST PROCEDURES AS A HIGH EFFICIENCY WATER CLOSET WITH AN AVERAGE CONSUMPTION OF 1.28 gpf (4.8 Lpf). WATER CLOSET CONSUMPTION IS DETERMINED BY THE TANK.