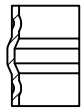
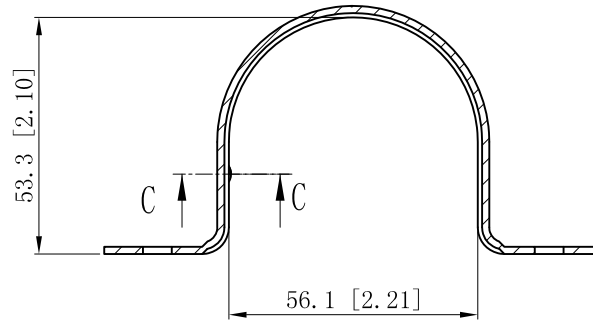


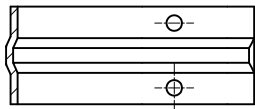
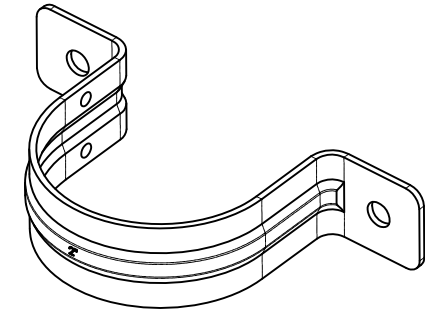
SIDES	BOTTOM
Material: Steel - 0.0625" - STAINLESS STEEL 304	



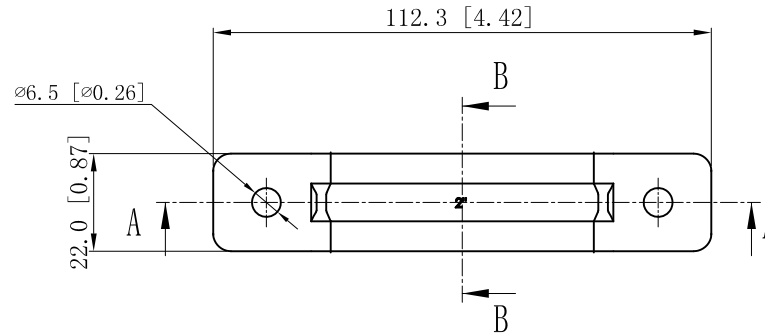
CUTAWAY VIEW C-C



CUTAWAY VIEW A-A



CUTAWAY VIEW B-B



This data sheet is for reference only .GARVIN INDUSTRIES reserves the right to make changes to the design without prior notice.

DESCRIPTION
TRADE REFERENCE TERMS

STANDARD PACKING
25 PCS

<b>GARVIN INDUSTRIES</b>		
TITLE TWO-HOLE STRAPS		
SIZE A4	DWG NO. THSS-200	REV
DATA SHEET		