

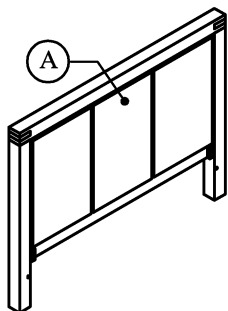
MEADOW BED

E. KING/QUEEN/FULL

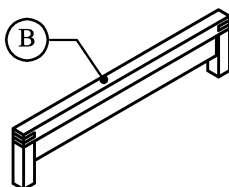
ASSEMBLY INSTRUCTIONS

PARTS AND FITTING PACKAGING DETAIL

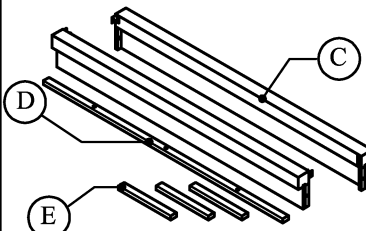
BOX #1
A. HEADBOARD 1 PC



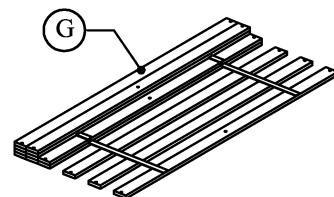
BOX #2
B. FOOTBOARD 1 PC



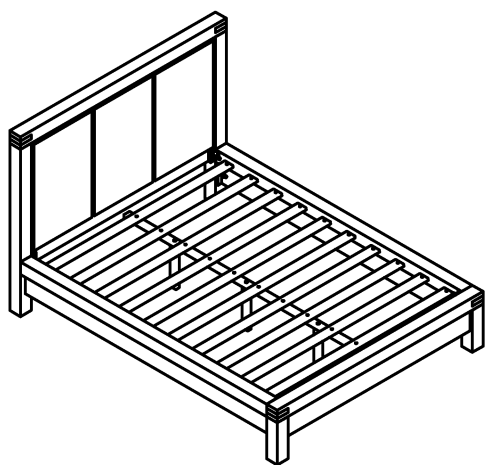
BOX #3
C. SIDERAILS 2 PCS
D. CENTER SUPPORT 1 PC
E. LEG SUPPORTS 3 PCS
F. HARDWARE BOX



BOX #4
G. BED SLATS 12 PCS



MEADOW BED ASSEMBLED



HARDWARE* PACKED IN BOX #3

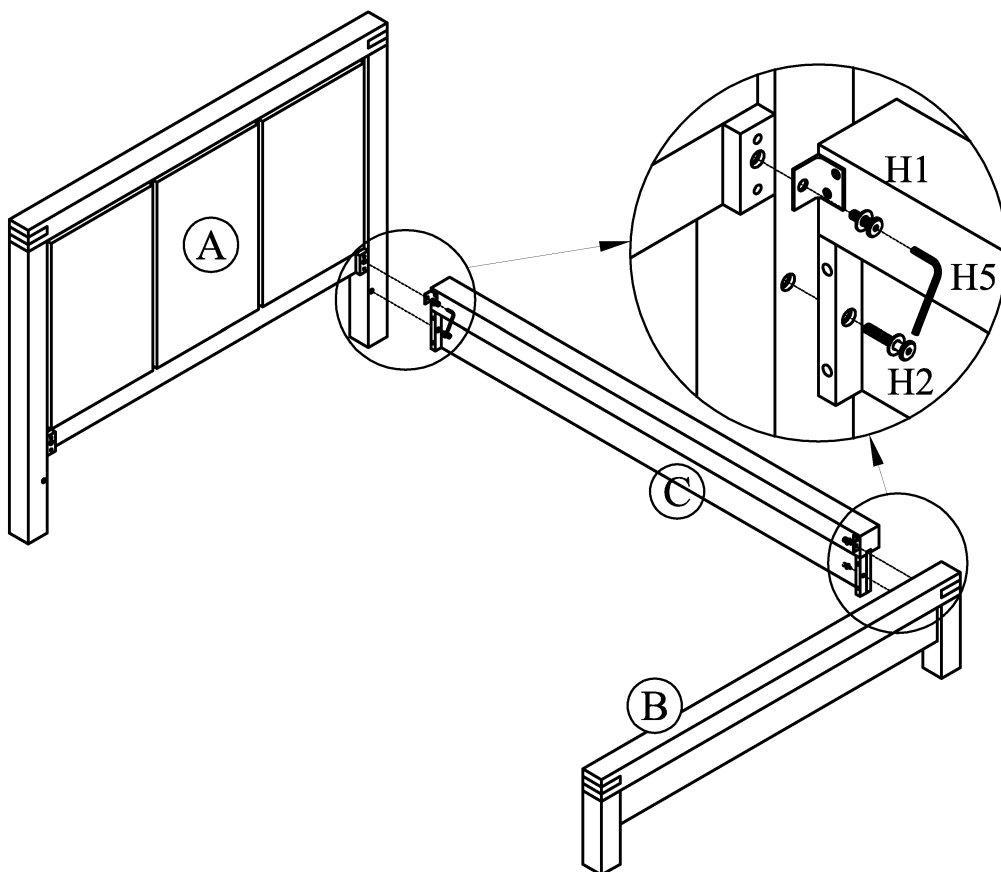
H1	ALLEN BOLT 40mm & FLAT WASHER Ø8 x Ø20	4 PCS	H2	ALLEN BOLT 20mm & FLAT WASHER Ø8 x Ø20	4 PCS	H3	ALLEN BOLT 50mm	3 PCS
H4	WOOD SCREWS 25mm	36 PCS	H5	ALLEN KEY 6	1 PCS			

YOUR BOX MAY CONTAIN EXTRA HARDWARE

STEP 1:

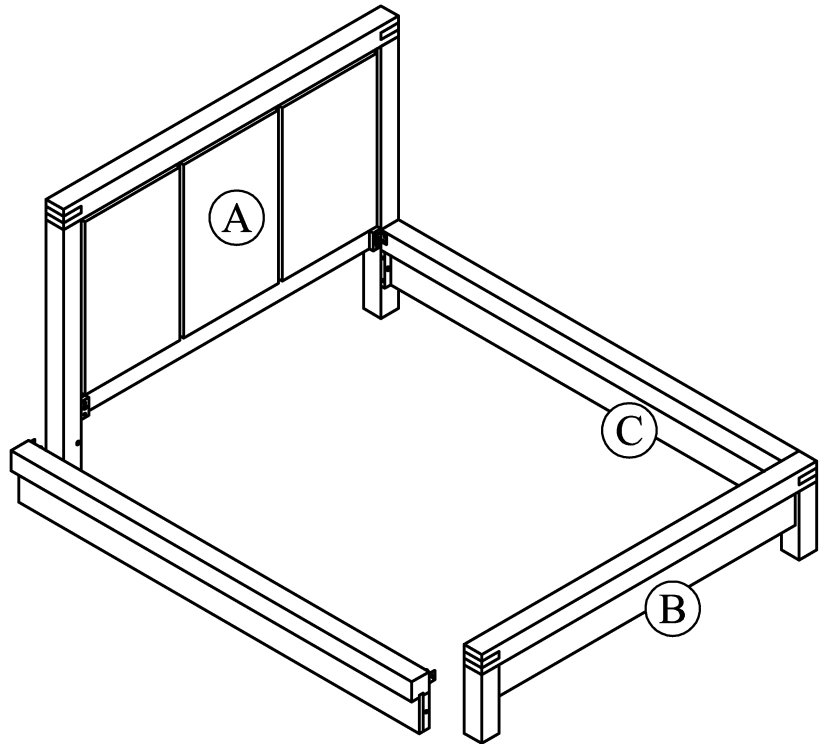
Fix one of the siderails (C) to the headboard (A) using the shortest 20mm allen bolts & washers (H2) on the top hole, and the midsize 40mm allen bolts & washers (H1) on the bottom hole. Tighten bolts using provided Allen Key (H5). When fixing the siderail (C) to the headboard (A), have a second person hold and stabilize the other end of the siderail.

Fix the other end of the siderail (C) to the footboard (B) using the shortest 20mm allen bolts & washers (H2) on the top hole, and the midsize 40mm allen bolts & washers (H1) on the bottom hole. Tighten bolts using provided Allen Key (H5). When fixing the siderail (C) to the footboard (B), have a second person hold and stabilize the other end of the siderail.



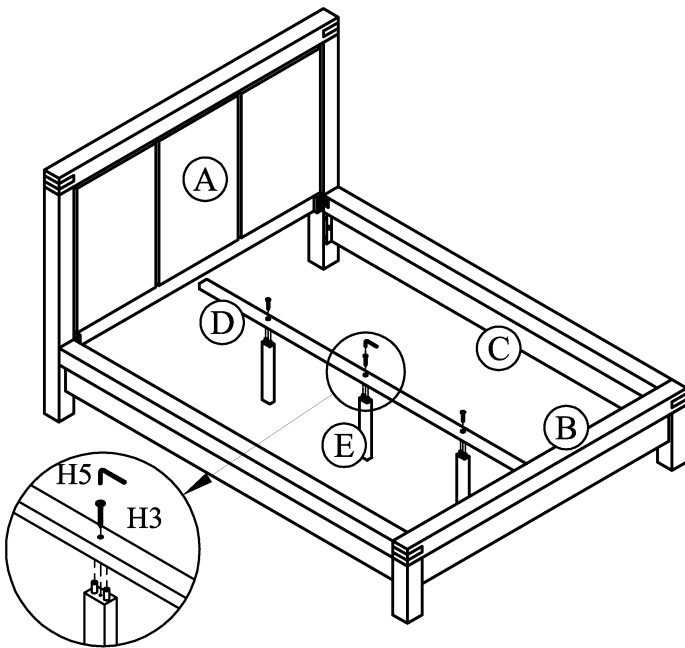
STEP 2:

Repeat steps 1 and 2 to fix the other siderail (C) to the headboard (A) and footboard (B).



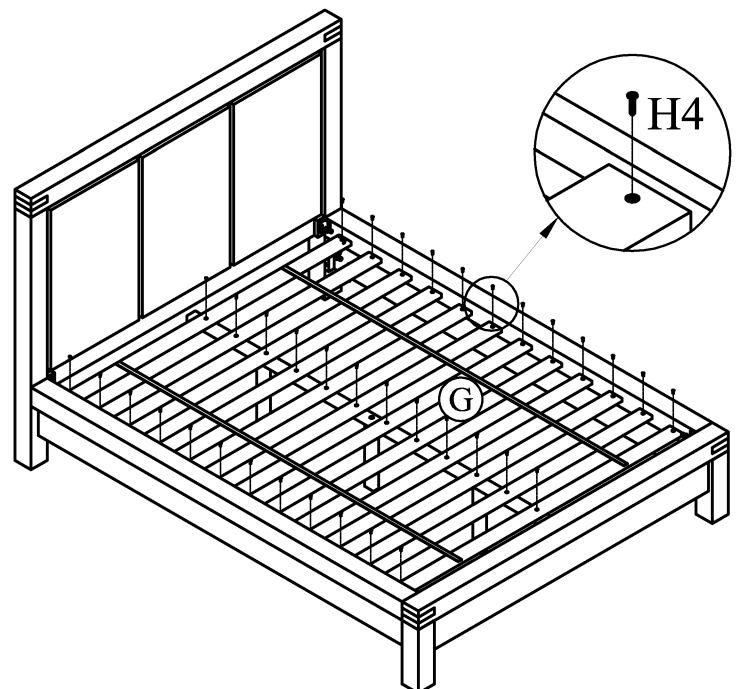
STEP 3:

Attach the legs (E) to the center support (D). Screw the longest (50mm) allen bolts (H3) using the allen key (H5) through center support (D) into leg supports (E) using the pilot holes as your reference for easy assembly.



STEP 4:

Follow the illustration to place the bed slats (G) onto the bed frame and secure the bed slats (G) using the wood screws (H4) provided. Tighten all 36 wood screws with a screwdriver



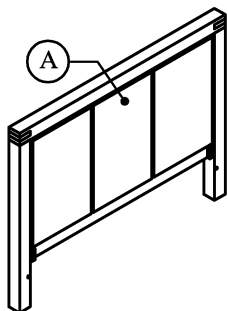
MEADOW BED

C. KING

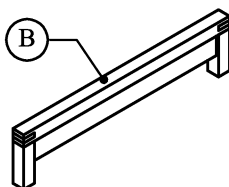
ASSEMBLY INSTRUCTIONS

PARTS AND FITTING PACKAGING DETAIL

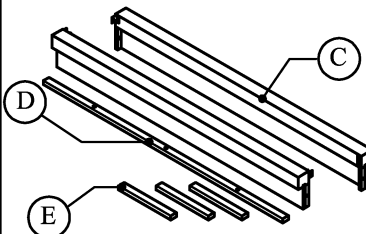
BOX #1
A. HEADBOARD 1 PC



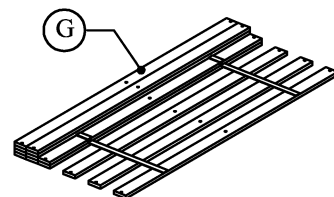
BOX #2
B. FOOTBOARD 1 PC



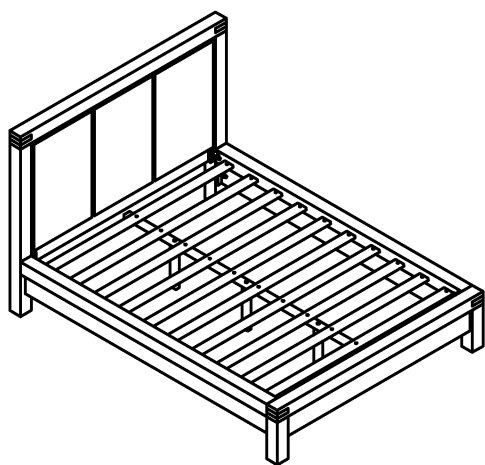
BOX #3
C. SIDERAILS 2 PCS
D. CENTER SUPPORT 1 PC
E. LEG SUPPORTS 3 PCS
F. HARDWARE BOX



BOX #4
G. BED SLATS 13 PCS



MEADOW BED ASSEMBLED



HARDWARE* PACKED IN BOX #3

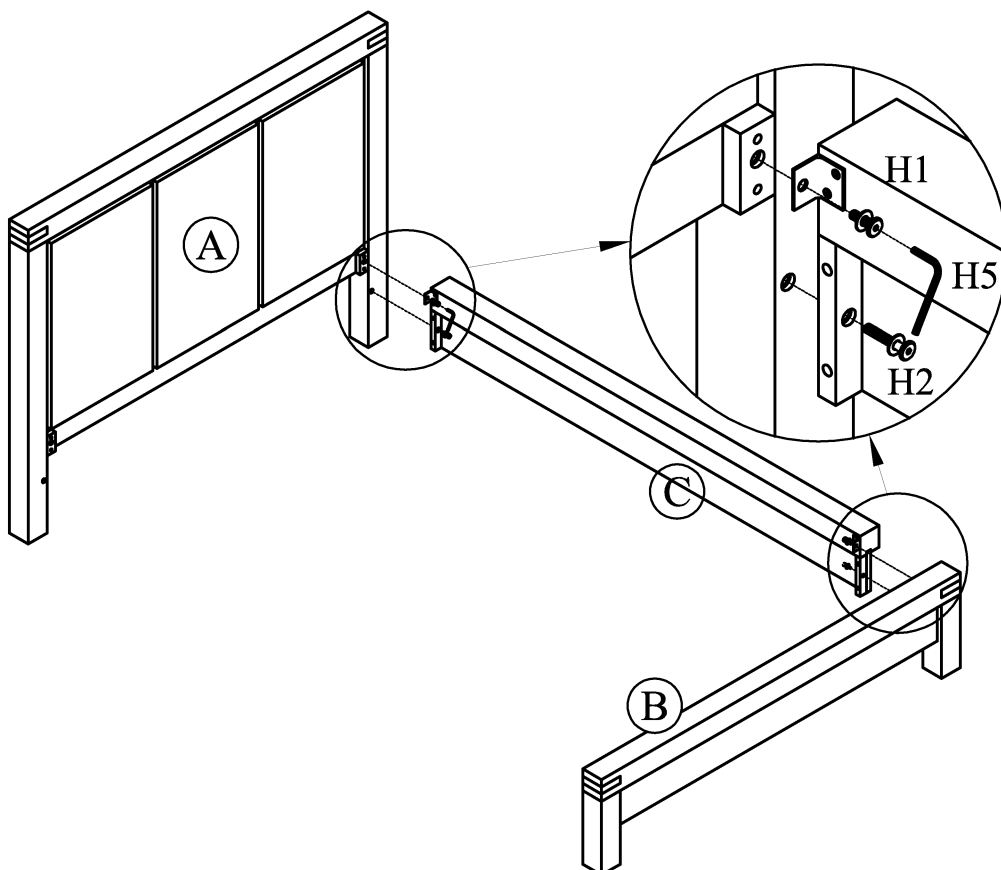
H1	ALLEN BOLT 40mm & FLAT WASHER Ø8 x Ø20	4 PCS	H2	ALLEN BOLT 20mm & FLAT WASHER Ø8 x Ø20	4 PCS	H3	ALLEN BOLT 50mm	3 PCS
H4	WOOD SCREWS 25mm	39 PCS	H5	ALLEN KEY 6	1 PCS			

YOUR BOX MAY CONTAIN EXTRA HARDWARE

STEP 1:

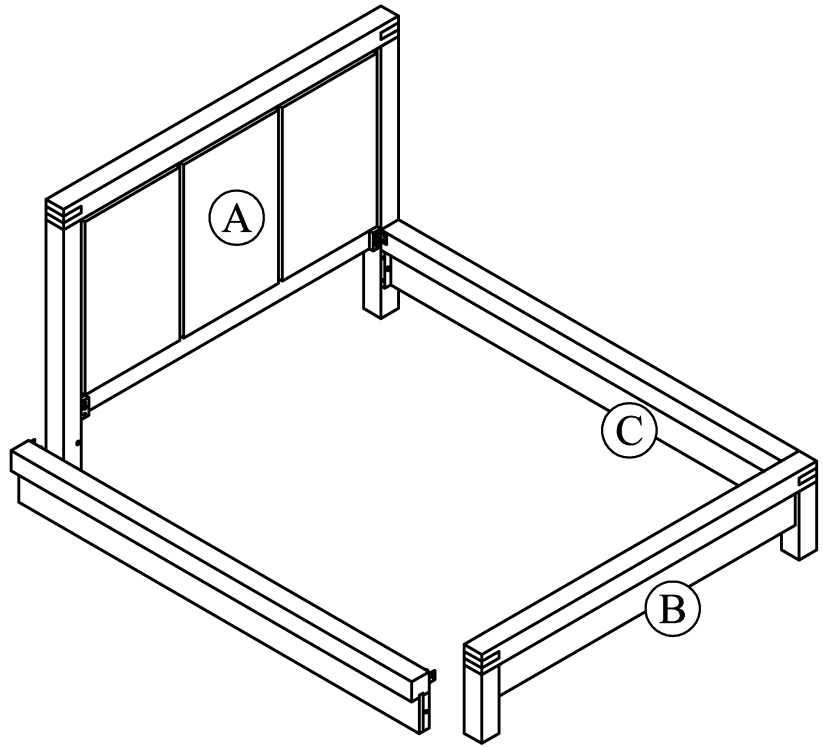
Fix one of the siderails (C) to the headboard (A) using the shortest 20mm allen bolts & washers (H2) on the top hole, and the midsize 40mm allen bolts & washers (H1) on the bottom hole. Tighten bolts using provided Allen Key (H5). When fixing the siderail (C) to the headboard (A), have a second person hold and stabilize the other end of the siderail.

Fix the other end of the siderail (C) to the footboard (B) using the shortest 20mm allen bolts & washers (H2) on the top hole, and the midsize 40mm allen bolts & washers (H1) on the bottom hole. Tighten bolts using provided Allen Key (H5). When fixing the siderail (C) to the footboard (B), have a second person hold and stabilize the other end of the siderail.



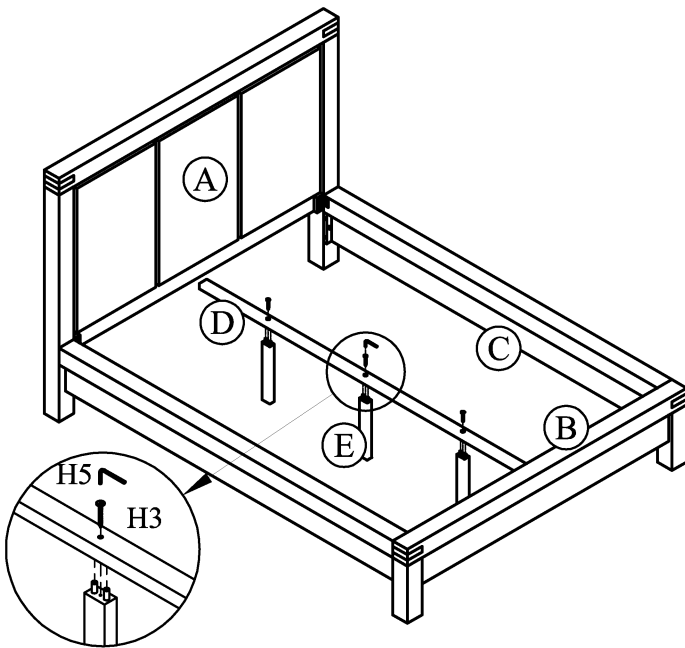
STEP 2:

Repeat steps 1 and 2 to fix the other siderail (C) to the headboard (A) and footboard (B).



STEP 3:

Attach the legs (E) to the center support (D). Screw the longest (50mm) allen bolts (H3) using the allen key (H5) through center support (D) into leg supports (E) using the pilot holes as your reference for easy assembly.



STEP 4:

Follow the illustration to place the bed slats (G) onto the bed frame and secure the bed slats (G) using the wood screws (H4) provided. Tighten all 39 wood screws with a screwdriver

