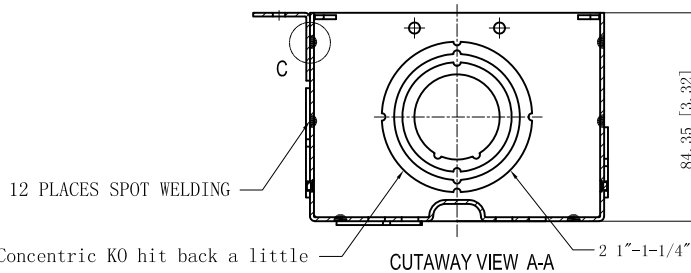


SIDES	BOTTOM
2 1/2"-3/4"MOON KNOCKOUTS	2 1/2"KNOCKOUTS
2 1"-1-1/4"MOON KNOCKOUTS	2 3/4"-1"MOON KNOCKOUTS
2 1"-1-1/4"-1-1/2"-2" MOONKNOCKOUTS	1 Ground Hump
2 pcs #8-32×1/2 Screws Installed	
3 pcs #10-32×3/8 Screws Installed	
Material:Steel-0.0625"-G60 Galvanized	

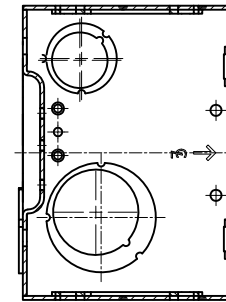
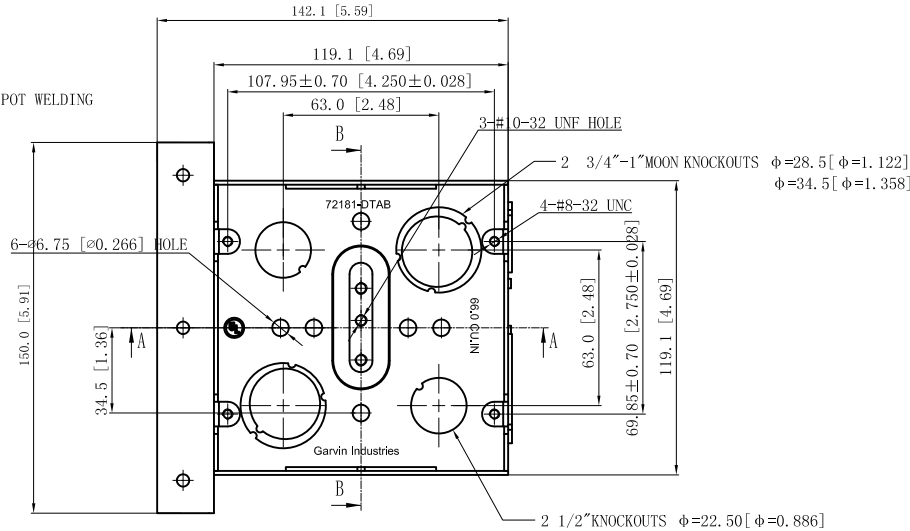
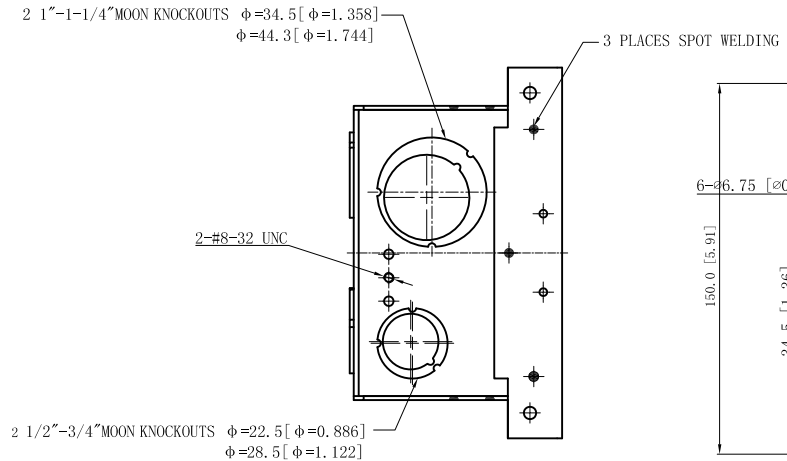
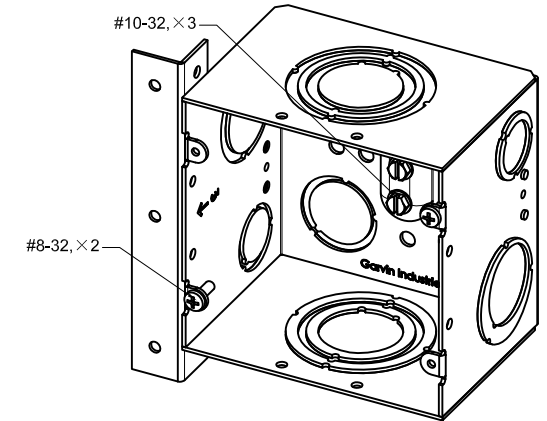


WELDING STYLE DETAIL VIEW C



CUTAWAY VIEW A-A

- 2 1"-1-1/4"-1-1/2"-2" MOONKNOCKOUTS
- φ=34.5 [φ=1.358]
- φ=44.3 [φ=1.744]
- φ=51.0 [φ=2.01]
- φ=61.0 [φ=2.400]



CUTAWAY VIEW B-B

This data sheet is for reference only .GARVIN INDUSTRIES reserves the right to make changes to the design without prior notice.

DESCRIPTION
TRADE REFERENCE TERMS

STANDARD PACKING	GARVIN INDUSTRIES		
25 PCS	SIZE	DWG NO.	REV
	A4	72181-DTAB	B
DATA SHEET			
www.garvinindustries.com			