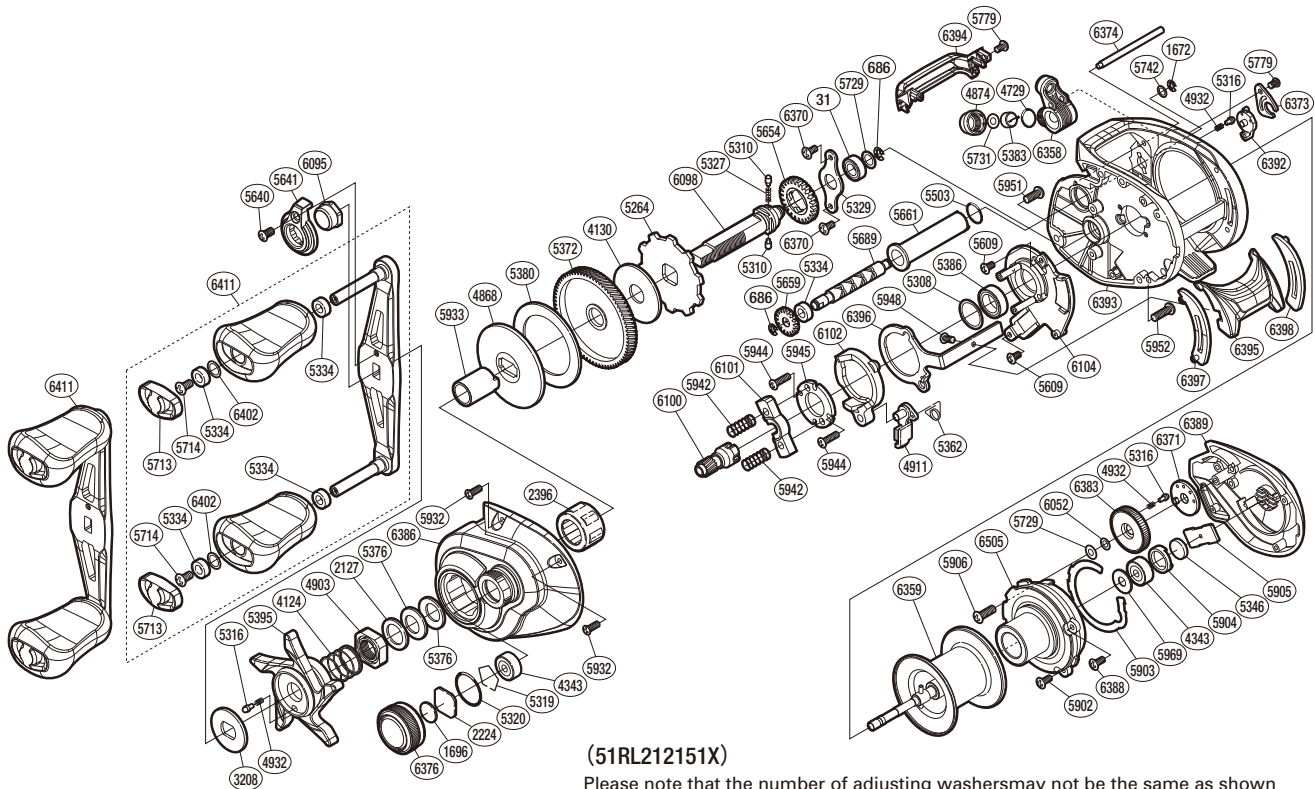


# SHIMANO

**SLX** S A-RB

**SLXDC151XG**



(51RL212151X)

Please note that the number of adjusting washers may not be the same as shown in the exploded views. (Adjustment will vary with each individual product.)

The (2396) Roller clutch cannot be replaced by the customer.  
To replace these parts, please request after-sales service.

| Part No. | Description           | Part No. | Description              | Part No. | Description                |
|----------|-----------------------|----------|--------------------------|----------|----------------------------|
| BNT0031  | Ball Bearing          | BNT5383  | Line Guide Pawl          | BNT6052  | Washer                     |
| BNT0686  | E Lock                | BNT5386  | Ball Bearing             | BNT6095  | Handle Nut                 |
| BNT1672  | E Lock                | BNT5395  | Star Drag                | BNT6098  | Drive Shaft                |
| BNT1696  | Cast Control Spacer   | BNT5503  | O Ring                   | BNT6100  | Pinion Gear                |
| BNT2127  | Star Drag Spacer      | BNT5609  | Screw                    | BNT6101  | Yoke                       |
| BNT2224  | Spool Tension Spacer  | BNT5640  | Screw                    | BNT6102  | Clutch Cam                 |
| BNT2396  | Roller Clutch Bearing | BNT5641  | Handle Nut Plate         | BNT6104  | Clutch Guard Assembly      |
| BNT3208  | Star Drag Click Plate | BNT5654  | Idle Gear                | BNT6358  | Line Guide Assembly        |
| BNT4124  | Star Drag Spring      | BNT5659  | Idle Gear                | BNT6359  | Spool Assembly             |
| BNT4130  | Drag Washer           | BNT5661  | Level Wind Guard         | BNT6370  | Screw                      |
| BNT4343  | Ball Bearing          | BNT5689  | Worm Shaft               | BNT6371  | Click Ring                 |
| BNT4729  | O Ring                | BNT5713  | Handle Knob Seal         | BNT6373  | Cam Lever Retainer         |
| BNT4868  | Key Washer            | BNT5714  | Screw                    | BNT6374  | Stabilizer Bar             |
| BNT4874  | Pawl Cap              | BNT5729  | Washer                   | BNT6376  | Cast Control Cap           |
| BNT4903  | Star Drag Nut         | BNT5731  | Spacer                   | BNT6383  | Brake Dial                 |
| BNT4911  | Clutch Pawl Assembly  | BNT5742  | Washer                   | BNT6386  | Right Side Plate Assembly  |
| BNT4932  | Click Spring          | BNT5779  | Screw                    | BNT6388  | Screw                      |
| BNT5264  | Anti-Reverse Ratchet  | BNT5903  | Washer                   | BNT6389  | Right Side Plate           |
| BNT5308  | Washer                | BNT5904  | Bearing Retainer         | BNT6392  | Right Side Plate Cam Lever |
| BNT5310  | Idle Gear Pin         | BNT5905  | Spool Shaft Spacer       | BNT6393  | Frame                      |
| BNT5316  | Click Pin             | BNT5906  | Screw                    | BNT6394  | Level Wind Protector       |
| BNT5319  | Bearing Retainer      | BNT5920  | Screw                    | BNT6395  | Clutch Button              |
| BNT5320  | O Ring                | BNT5932  | Screw                    | BNT6396  | Clutch Plate               |
| BNT5327  | Idle Gear Spring      | BNT5933  | Roller Clutch Inner Tube | BNT6397  | Clutch Bar Guide B         |
| BNT5329  | Drive Shaft Retainer  | BNT5942  | Yoke Spring              | BNT6398  | Clutch Bar Guide A         |
| BNT5334  | Bushing               | BNT5944  | Screw                    | BNT6402  | Washer                     |
| BNT5346  | Spacer B              | BNT5945  | Clutch Cam Retainer      | BNT6411  | Handle Assembly            |
| BNT5362  | Clutch Pawl Spring    | BNT5948  | Screw                    | BNT6505  | B Side Plate Substrate     |
| BNT5372  | Drive Gear            | BNT5951  | Screw                    |          |                            |
| BNT5376  | Drag Spring Washer    | BNT5952  | Screw                    |          |                            |
| BNT5380  | Drag Washer           | BNT5969  | Bearing Seal             | BNT4692  | B-100 Oil (Accessory)      |