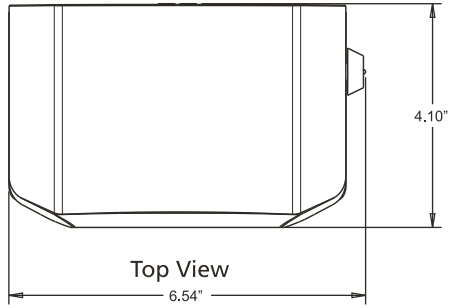
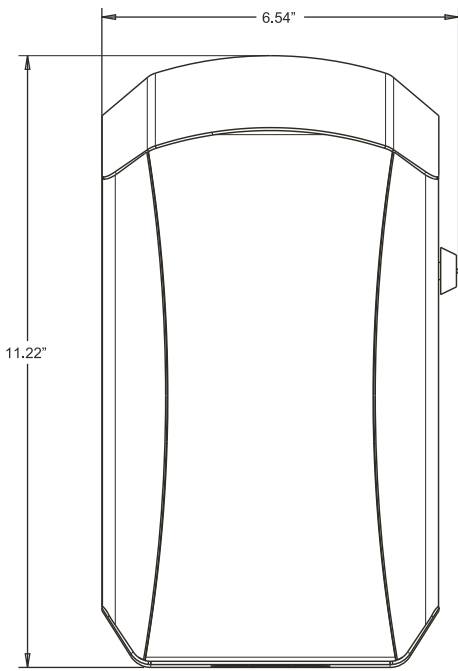


# GOJO® LTX™ BEHAVIORAL HEALTH DISPENSER DIMENSIONS

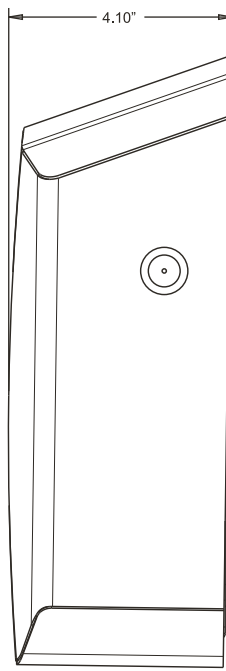
These dimensions apply to GOJO, PURELL® and PROVON® brand LTX Behavioral Health Dispensers.



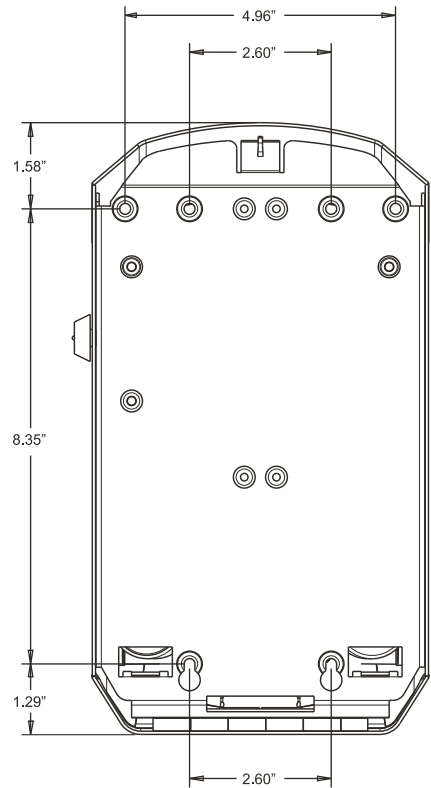
Use the dimensions provided to ensure adequate wall spacing and clearance for the unit.



Front View



Side View



Back View



GOJO Industries, Inc.  
One GOJO Plaza, Suite 500  
P.O. Box 991 • Akron, OH 44309-0991  
Tel: 1-330-255-6000 • Toll-free: 1-800-321-9647  
Fax: 1-800-FAX-GOJO