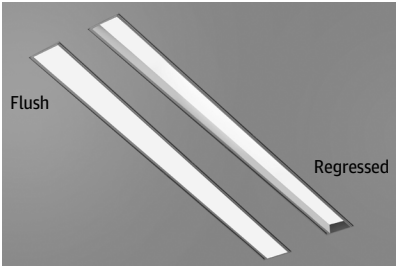


# MARK ARCHITECTURAL LIGHTING™

## Slot 2 LED Recessed Linear

Type:



Slot 2 LED takes both form and function a step further with increased efficacy and integral controls creating a digitally addressable luminaire that is perfect where visually harmonious illumination and energy efficiency are desired.

Slot 2 LED is the ideal choice for spaces that emphasize lines and clean contemporary design. It is a perfect fit for Armstrong TechZone™ ceiling systems. A regressed lens option provides added dimension to the sleek, slender design and the flush lens now has a Wet Label option.

Project:

Catalog Number:

DO NOT TYPE HERE. Autopopulated field.

### Specification Features

#### Housing

Nominal 2" x 2', 3', 4', 5', 6', 7', 8' and continuous rows in 1" increments as standard, upper housing fabricated from cold-rolled steel with extruded aluminum ceiling trim.

#### Finish

Polyester powder coat painted finish.

#### Reflector

Precision-formed steel; high reflectance matte white powder coat; 93% reflectivity.

#### Shielding

Flush Lens: Snap-in 90% transmissive satin acrylic lens. Lens is not sealed or gasketed.

Regressed Lens: Lay-in 90% transmissive satin acrylic lens.

#### Mounting

Recessed. Available for sheetrock, 9/16" slot grid or 15/16" inverted tee ceilings, or 9/16" inverted tee.

#### Certification

CSA certified to meet U.S. and Canadian standards (UL1598 and UL8750). This product is IC rated. Optional Damp (DPL) or Wet (WL) location listings available with specified nomenclature. Wet location listing is suitable for covered ceiling mount installation only, where any water exposure is beneath the non-porous mount surface.

#### Warranty

5-year limited warranty. This is the only warranty provided and no other statements in this specification sheet create any warranty of any kind. All other express and implied warranties are disclaimed. Complete warranty terms located at: [www.acuitybrands.com/support/warranty/terms-and-conditions](http://www.acuitybrands.com/support/warranty/terms-and-conditions)

#### A+ Capable Luminaire

This item is an A+ capable luminaire, which has been designed and tested to provide consistent color appearance and out-of-the-box control compatibility with simple commissioning when used with Acuity Brands controls products.

All configurations of this luminaire are calibrated and tested to meet the Acuity Brands' specification for chromatic consistency - including color rendering, color fidelity, and color temperature tolerance around standard CIE chromaticity coordinates.

To learn more about Acuity A+ standards, specifications, and testing, visit [www.acuitybrands.com/aplus](http://www.acuitybrands.com/aplus)

**Note:** Actual performance may differ as a result of end-user environment and application.

All values are design or typical values, measured under laboratory conditions at 25 °C.

Specifications subject to change without notice.

#### Fixture Performance - SL2L\*

Lumens Output	400 LMF		600 LMF**		800LMF**		1000LMF	
	RLP	FLP	RLP	FLP	RLP	FLP	RLP	FLP
Delivered Lumens/FT	234	308	404	533	534	705	654	862
Input Watts/FT	4	4	6	6	8	8	11	11
Lumen/Watt	68	89	69	91	67	88	62	82

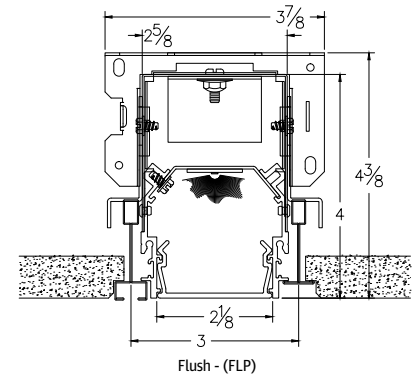
\* CCT (35K)

\* Consult factory for customized lumen output and wattage

\*\*Based on calculated values

Note: UGR data available on Page 5

### Technical Drawing



eldoLED  
your product | our drive



Declare.

#### LED Components

Linear: Nichia® - 757 Series LED chips (available in 80 or 90 CRI)

#### LED Life

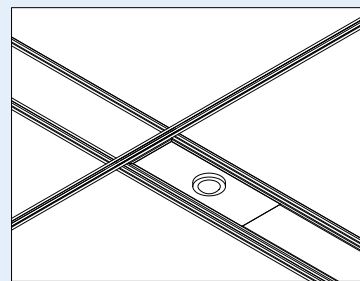
Rated 65,000 hours (L80) at 25 °C ambient temperature.

#### Color Consistency

The Acuity Brands circuit boards for the linear LED components use a precise binning algorithm which creates a consistent color temperature from board to board. Color variation is no greater than a 2.5 Step MacAdam (2.5SDCM) along the black body locus from board to board.

#### Driver

eldoLED constant current driver options delivers ultra-smooth dimming resolution from 100% to 0.1%, while assuring flicker free, low current inrush, 89% efficiency and low EMI.




Occupancy Sensor (PDT) and/or Photocell (ADC)

#### Integrated Controls

Optional nLight® embedded controls make luminaire addressable- allowing it to digitally communicate with other nLight enabled controls such as dimmers, switches, occupancy sensors and photocontrols. Simply connect all the nLight enabled control devices using standard CAT5 Cabling. (Input option: NLIGHT)

#### Photometry

For photometric information refer to [www.marklighting.com](http://www.marklighting.com).

 Design Select options indicated by this color background.

**Ordering**

Example: SL2L LOP 4FT FLP FL 80CRI 30K 600LMF DARK 277 EC NLIGHT

--	--	--	--	--	--

Series	Linear Length Plan	Total Run Length	Fixture Style	Ceiling Trim	Direct Light Source Color Rendering
SL2L Slot 2 LED Linear Recessed	LOP Linear Optimized Plan	2FT 2' 3FT 3' 4FT 4' 5FT 5' 6FT 6' _FT_ *Specify continuous linear feet in 1" increments (7FT6 = 7FT 6IN) _FT_ **Specify continuous linear feet in 1 foot increments	7FT 7' 8FT 8' RLP <sup>13</sup> Regressed Lens FLP <sup>2</sup> Flush Lens	FL <sup>4</sup> 5/8" Flange(sheetrock) FLINB <sup>21,22</sup> 5/8" Flange (sheetrock) Install From Below TG 9/16" or 15/16" Flat or Inverted Tee GB <sup>4</sup> Trimless (sheetrock) WFL Perimeter Mount, 5/8" Flange (Sheetrock) WTG 9/16" Flat or Inverted Tee, Perimeter Mount <small>*For metal pan, hard wood or other ceiling types consult factory.</small>	80CRI 80 CRI 90CRI 90 CRI

--	--	--	--	--	--

Direct LED Color Temp	Direct LED Light Output	Direct Distribution	Minimum Dimming Level	Voltage	Finish	Emergency Options
27K* 2700K 30K 3000K 35K 3500K 40K 4000K 50K* 5000K	400LMF 400 Lumens per FT 600LMF 600 Lumens per FT 800LMF 800 Lumens per FT 1000LMF 1000 Lumens per FT _LMF* <sup>9</sup> ## Lumens per FT (Limited to 300LMF to 1000LMF in 50LMF increments)	(blank) Standard Distribution WW <sup>5</sup> Wall Wash	NODIM Non - Dim MIN1 Constant current, dimming to 1% DARK Constant current, dimming to 0.1% MIN10 <sup>15</sup> Constant current, dimming to 10%	120 120V 277 277V 347 <sup>7</sup> 347V	(blank) White (satin) xxx/BLKT Black (satin) xxx/SLVT Silver (satin) xxx/RALTB D <a href="#">RAL paint finish</a> <small>xxx = fill in with the appropriate ceiling trim. Only trims are painted. RALTB D is for pricing only. Replace with applicable RAL number and texture when placing order.</small>	(blank) No Emergency _E10WLCP <sup>8</sup> Number of 4ft Emergency Section(s) with battery pack _EC <sup>10</sup> # of Emergency Circuits WEC Entire run on EC

--	--	--	--	--	--

Control Input	Primary Sensor <sup>12</sup>	Secondary Sensor <sup>12</sup>	Tertiary Zone	Options
(blank) Non-dim <sup>11</sup> ZT 0 10V NLIGHT nLight enabled NLTAIR2 <sup>17</sup> nLight Air (Wireless Enabled) ECOD <sup>16</sup> Lutron Hi-Lume digital driver DALI <sup>19</sup> Dali	(blank) Single Zone, No Sensor NS Multi-zone, No Sensor Main Zone, No Sensors PDT <sup>13</sup> Dual Technology Occupancy Sensor, PIR and Microphonics Sensor, No Sensors ADC <sup>13</sup> Daylight Dimming Sensor, No Sensors API <sup>14</sup> Passive Infrared Occupancy Sensor and Daylight Dimming Sensor, No Sensors APD <sup>14</sup> Dual Technology Occupancy Sensor and Daylight Dimming Sensor, No Sensors	(blank) No additional zones/sensors SNS Multi-zone, with no sensor in secondary zone, No Sensors SPDT <sup>13</sup> Dual Technology Occupancy Sensor, PIR and Microphonics Sensor, No Sensors SADC <sup>13</sup> Daylight Dimming Sensor, No Sensors SAPI <sup>14</sup> Passive Infrared Occupancy Sensor and Daylight Dimming Sensor, No Sensors SAPD <sup>14</sup> Dual Technology Occupancy Sensor and Daylight Dimming Sensor, No Sensors	(blank) No additional zones/sensors TNS Multi-zone, with no sensor in tertiary zone	CP <sup>18</sup> Chicago Plenum BAA Buy America(n) Compliant WL <sup>3,8,20</sup> Wet Location Listing DPL <sup>20</sup> Damp Location Listing PWS 6' Pre-Wire, 3/8" Diameter, 18 Gauge

\* Requires longer lead time.

**Notes**

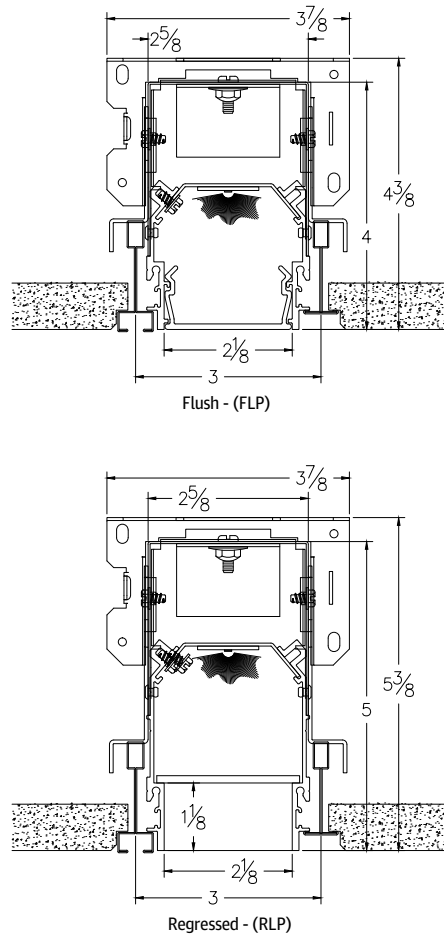
1. Supplied with lift and shift lay-in lens.
2. Supplied with snap-in lens.
3. Wet Location label not available with regressed lens, sensor options or PWS. Cannot be installed on vertical surfaces.
4. Not intended for post sheetrock installation.
5. Wall wash not available with RLP lens or all sensor options.
6. No longer applicable.
7. Not available with 2' sections, E10WLCP or sensors. Only available with NODIM or MIN1 with ZT.
8. Default battery pack is integral, battery pack will be remote with RLP, WW or sensors. Only 1 integral battery pack per unit. CP listing must have an integral battery. Remote batteries are not wet location listed, they may be used with a wet location fixture is the battery itself is mounted in a dry location.
9. Not available with ECOD control input.
10. Standard 4' EC section, defaults to end of run. 2ft, 3ft and 5ft powers entire fixture, 6ft powers 3ft EC section.
11. Only available with NODIM option.
12. Sensors not available with WW, NODIM driver, WL, RLP, downlights or 2' or 3' units. Not available with 347 & NLIGHT together. Default location for sensor is the left side of the fixture. For runs, the first fixture will include the sensor.
13. Requires ZT or NLIGHT Control Input.
14. Requires ZT, NLIGHT or NLTAIR2 Control Input.
15. MIN10 not available with 347, sensors, NLIGHT or NLTAIR2, requires ZT.
16. ECOD not available with sensors and requires MIN1 dimming.
17. Must select MIN1 or DARK. Not available with RLP, WW, PDT, ADC or 347, DPL or WL.
18. CP not available with NLTAIR2.
19. DALI is only available with DARK or MIN1. It is not available with sensors or downlights.
20. Lens is not sealed or gasketed.
21. 1" increments will have extended lead time.
22. Not available with RLP regressed lens option.



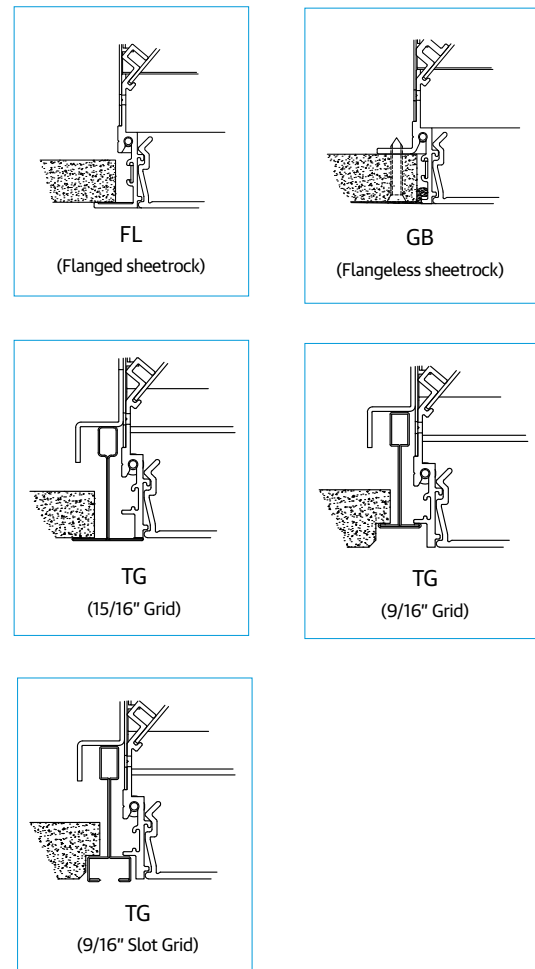
Items marked by a shaded background qualify for the Design Select program and ship in 15 days or less. To learn more about Design Select, visit [www.acuitybrands.com/designselect](http://www.acuitybrands.com/designselect).  
\*See ordering tree for details

Maximum order quantity for Design Select lead times is 350 linear feet.

**Technical Drawing**

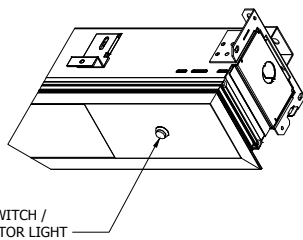


**Ceiling Trim**

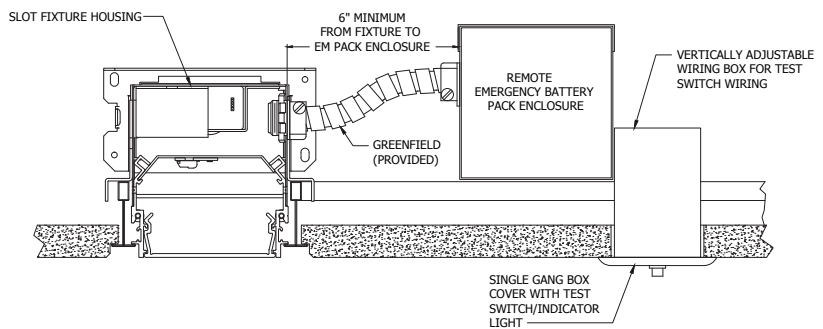


**Emergency Battery**

Internally Mounted (E10WLCP)



Remote Mounted (RE10WLCP)

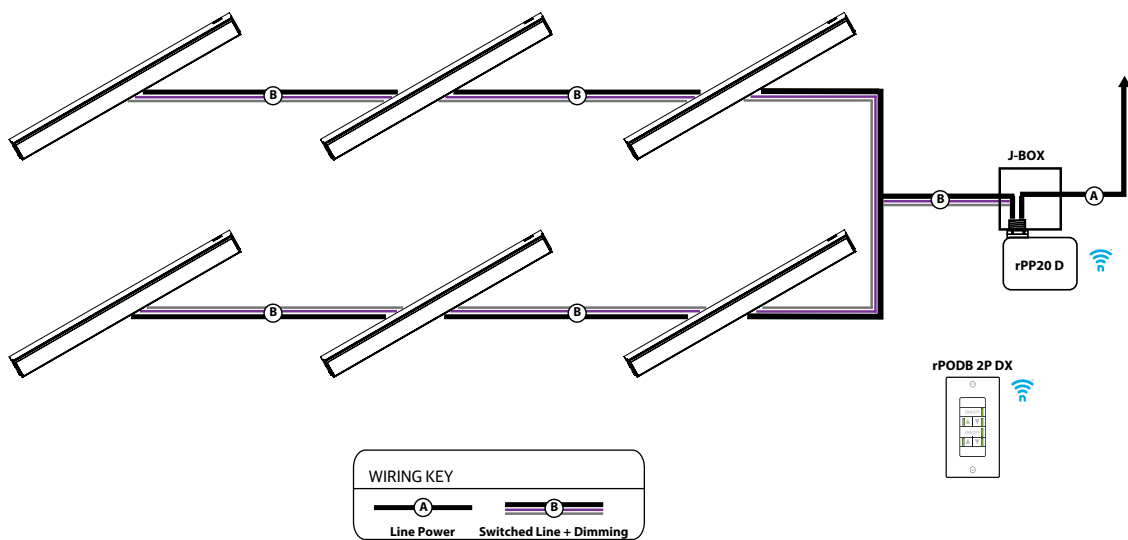


- Notes**
- Delivers 700 lumens per 4FT length. Default location is the right side of fixture and end of run.
  - Provided with 4FT of flexible conduit. Maximum of 25FT remote distance if extended. Extension provided by others.
  - See ordering tree notes for remote battery pack scenarios.

**nLight Air Wireless**

To Make fixture NLTAIR2 compatible the following components are required:

- 1) rpp20 D
- 2) rPODB 2P DX

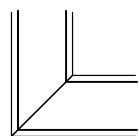


**Continuous Runs**

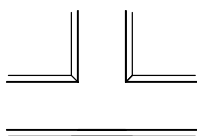
Slot 2 LED continuous rows can be configured in 1" increments.

**Run Patterns, Corners and Junction**

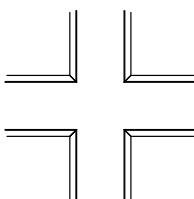
Slot 2 LED patterns be configured in 1' increments with illuminated 90° inside and outside corners, T junctions, and X junctions with standard 2' corner and junction lengths. For custom angles, corner or junction lengths, consult factory.



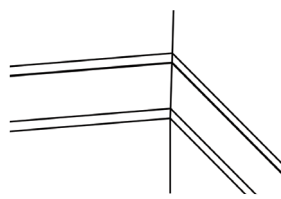
90° Corner



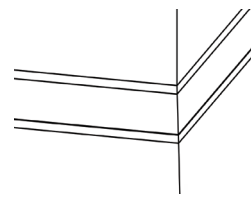
T Junction



X Junction



Inside Corner



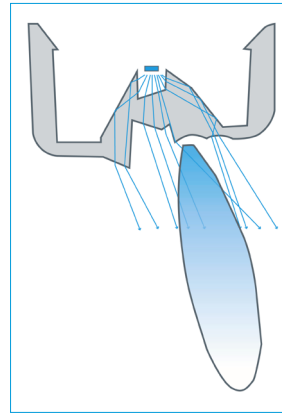
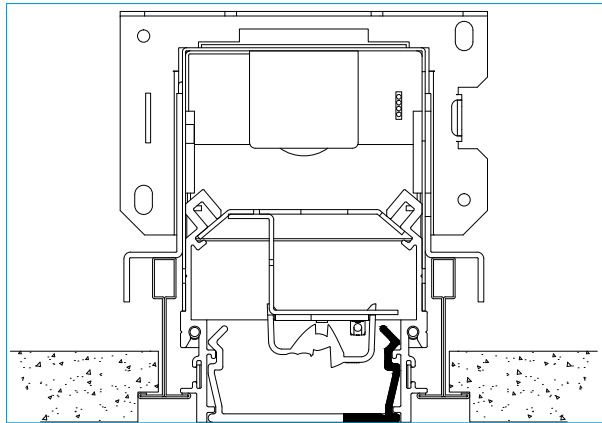
Outside Corner

**Layout Sketch**

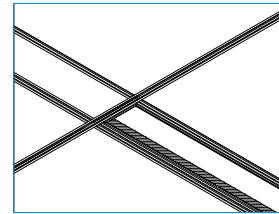
Please draw and configure your linear run below.

**OPTICS**

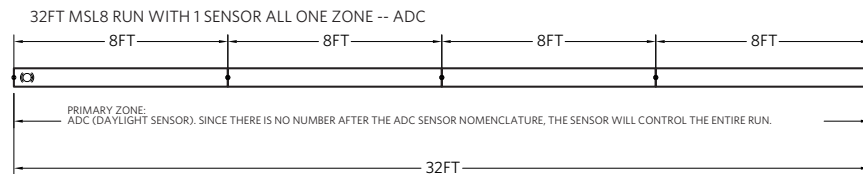
Slot LED's patent-pending, precision lumen DIRECTIR optics condition and refract light to deliver accurately controlled, striation-free, and uniform white light. All lumen DIRECTIR optics are injection-molded, optical grade, UV-resistant acrylic with selective finishing/polishing treatment.



Optional Wall Wash (WW)



**INTEGRATED SENSOR LAYOUT**



**Notes:**  
● Only one sensor per zone

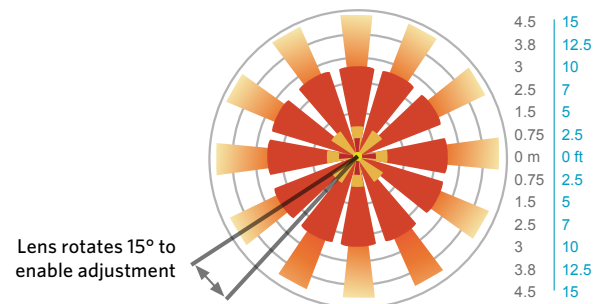
**OCCUPANCY DETECTION COVERAGE**

At the 7.5 ft (2.9 m) hanging height of a typical pendant mount fixture the sensor provides 10 ft (3.05 m) radial detection of small motion. At a 9 ft (2.74 m) hanging height the radius is 12 ft (3.66 m) for small motion.

Adequate for walking motion detection from mounting heights between 7.5 ft (2.29 m) and 20 ft (6.10 m).

Initial detection will occur earlier when walking across sensor's field of view than when walking directly at sensor.

Initial detection of walking motion into long coverage segment will occur at distances of 2x the mounting height up to 15 ft (4.57 m) and 1.75x up to 20 ft (6.10 m). Lens assembly rotates 15° to enable adjustment in order to line up long segments.



**UGR CHART**

Lumen Package	UGR (70% 50% 20% REFLECTANCE USING A 4H X 8H ROOM SIZE)					
	Crosswise			Endwise		
	FLP	RLP	WW	FLP	RLP	WW
400LMF	22.1	22.2	19.6	20.8	18.2	20.3
600LMF	24	24.1	21.5	22.7	20.1	22.3
800LMF	25	25	22.4	23.7	21.1	23.2
1000LMF	25.7	25.7	23.1	24.4	21.8	23.9

\*UGR varies based on luminaire options and is affected by application dependent parameters. Numbers depicted here are considered "Luminaire-UGR" and/or "Point-UGR" values. To determine a more precise maximum UGR value ("Application-UGR"), a full lighting design layout should be completed with the selected luminaire configuration for each application.

\*\* Click here for more information on UGR FAQ