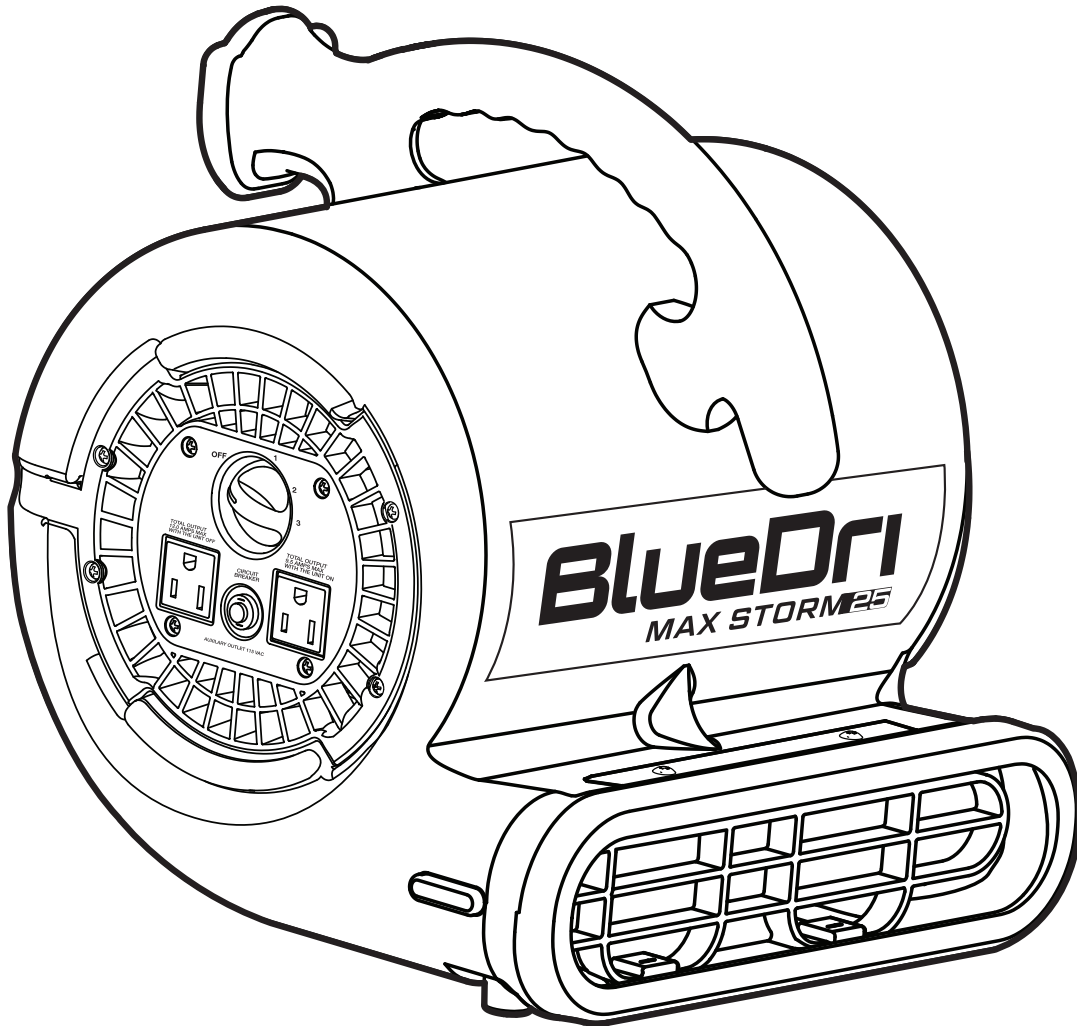


Owner's Manual | BD-MS25

# BlueDri<sup>®</sup> COMMERCIAL AIR MOVER MAX STORM<sub>25</sub>



Read and save these instructions.

# BlueDri



# WARNING



## IMPORTANT SAFETY INSTRUCTIONS

When using electrical appliances, these instructions and warnings should always be followed to reduce the risk of fire, electrical shock and injury to persons:



**Read all instructions before using this Fan.**



### WARNING

**TO REDUCE THE RISK OF FIRE, ELECTRICAL SHOCK OR PERSONAL INJURY, ALWAYS FOLLOW THESE IMPORTANT SAFETY INSTRUCTIONS AND WARNINGS:**



**DO NOT** use this Fan to ventilate areas where flammable liquids or vapors are used, stored or are present, including paints, gasoline, varnishes, floor refinishing products or solvents. **ALWAYS** read and follow all warnings and instructions on the containers for these products!



**ALWAYS** be sure the plug fits tightly into the outlet. When plugs fit loosely into outlets, they may slip partially out of the outlet and create a poor connection. This may cause outlets to overheat and create a potential fire hazard. Outlets in this condition should be replaced by a qualified electrician.



**ALWAYS** unplug the power cord when servicing, cleaning or moving the Fan. **DO NOT** use the ON/OFF switch as the sole means of disconnecting power. **NEVER** leave children unattended when the Fan is on or plugged in. **ALWAYS** turn off and unplug the Fan when not in use.



Use **ONLY** GFCI protected receptacles if utilizing as an installation type Fan.



**BE CERTAIN** that the power source for the Fan is 120V AC. **DO NOT** plug the Fan into 240V or other power source. The power cord is equipped with a three-prong grounded plug that must be inserted into a matching receptacle. Under no circumstances should the grounding prong be cut off the plug. Where a two-prong wall receptacle is encountered, it must be replaced with a properly grounded three-prong receptacle installed in accordance with the National Electrical Code (NEC) and all applicable local codes and ordinances. This work must be done only by a qualified electrician, using copper wire only.

**DO NOT USE A THREE-PRONG TO TWO-PRONG ADAPTER. IMPROPER CONNECTION MAY CREATE THE RISK OF ELECTRICAL SHOCK. USE OF SUCH ADAPTERS IS NOT PERMITTED IN CANADA.**

**WARNING: TO REDUCE THE RISK OF FIRE OR ELECTRICAL SHOCK, DO NOT USE THIS FAN WITH ANY SOLID STATE SPEED CONTROL DEVICES.**



### CAUTION

- **DO NOT** operate any fan with a damaged cord or plug. Discard fan or return to an authorized service facility for examination and/or repair.
- Unplug or disconnect the unit from power supply before servicing.
- **DO NOT** use extension cords, power strips, power taps, outlet style air fresheners or other cord connected device, as these devices may overheat and cause a fire hazard.
- **DO NOT** route power cord under rugs, carpets, runners or furniture. This may damage the cord or cause it to overheat creating a fire hazard.
- **ALWAYS** place the fan on a stable, flat, level surface while in operation to prevent the fan from overturning.
- **NEVER** insert or allow fingers or objects to enter grill openings while fan is in operation or injury and/or damage to the fan may occur.
- **DO NOT** block, cover or obstruct air flow to or from the fan while in operation.
- **DO NOT** use this fan outdoors or near wet locations such as a bath tub, pool, hot tub or pooled water. Use of this fan in a wet location may create a shock hazard.
- **DO NOT** run cord under carpeting. Do not cover cord with throw rugs, runners, or similar coverings. Do not route cord under furniture or appliances. Arrange cord away from traffic area where it will not be tripped over.
- **DO NOT** use this fan if it has been damaged or is not functioning properly.
- **DO NOT** operate unit in stacked position.
- **DO NOT DROP** fan it may cause damage that could affect safety.
- **THIS FAN DOES NOT MEET THE REQUIREMENTS OF NEC ARTICLE 547-7 (2008).** This Fan is not suitable for use in agricultural facilities including areas where livestock, poultry or other animals are confined. Please refer to National Electric Code (NEC) Article 547-7 (2008), or applicable state or local codes or standards relating to electrical requirements for agricultural buildings.
- **THIS FAN DOES NOT MEET THE REQUIREMENTS OF NEC ARTICLE 500 (2008).** This Fan is not suitable for use in hazardous locations. Please refer to National Electric Code (NEC) Article 500 or applicable state or local codes or standards relating to electrical requirements for hazardous locations.

## Introduction

Designed to move large volumes of air, the BD-MS25 can be used for drying wet carpet, walls, furniture and floors and may also be used for ventilation. Compact yet powerful, the BD-MS25 is perfect for use in crawl spaces, cabinets, closets, or any other cramped areas that need to be dried.

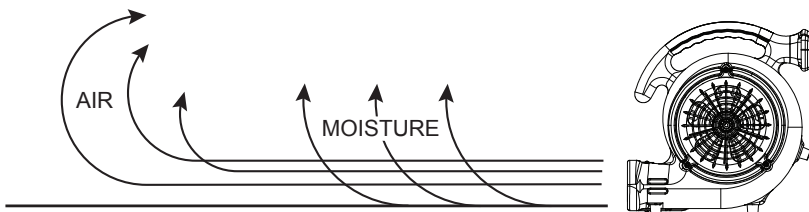
## Product Features

- No assembly required
- 3 speed operation
- Energy efficient – draws only 2.1A on high
- Grounded outlets with circuit breaker
- Integrated cord wrap
- 3 operating positions - 0°, 45° or 90°
- Daisy chainable – connect up to 5 units
- Stackable – Up to 5 units high

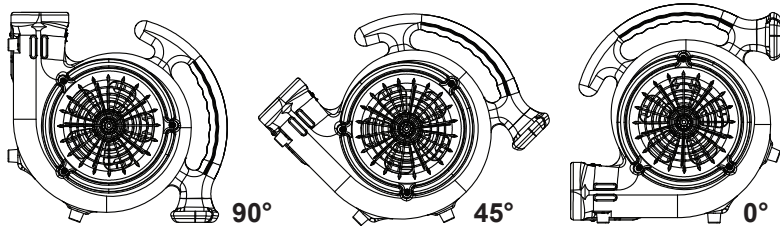
## Operation

- 1) Place the unit on a level and stable surface.
- 2) Plug the unit into a 120 volt grounded outlet with the correct voltage and amperage. For maximum protection against electrical shock, ALWAYS use a circuit that is protected by a ground fault circuit interrupter. If you are unsure about the outlet, check with a qualified electrician or service person. Do not use an adapter or extension cord.
- 3) To switch the unit on, locate the control panel and push switch to desired speed setting.
- 4) The multipurpose design allows operating positions for horizontal, 45° and 90° angles. The balanced handle also acts as an optimum cord wrap assembly freeing the BD-MS25 of obstructions.

## Air Flow

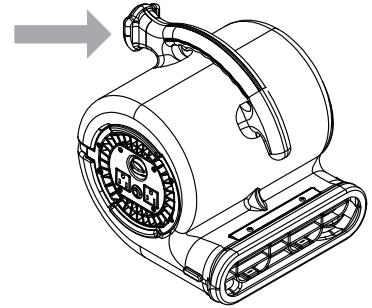


## Operating Positions

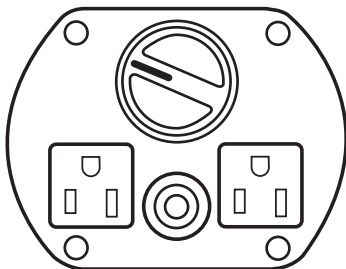


## Transportation

Transport the Fan using the handle on top of the unit.



## Additional Electrical Receptacle (Daisy Chain)



CIRCUIT BREAKER 12A  
TOTAL OUTPUT  
12 AMPS MAX WITH THIS UNIT OFF  
9.5 AMPS MAX WITH THIS UNIT ON

Other appliances can be plugged in the additional electrical receptacles and will work whether the Fan is on or off. However, the total amperage must be lower than the amperage instructed. Different models may have varying instructions.

If the Fan or the plugged in appliance stops working, press the **RESET BUTTON** to reset the circuit.

## Stack Multiple Units

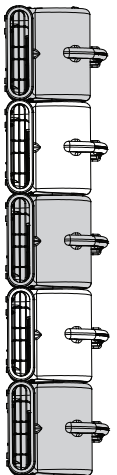
Stack the fans on top of each other as shown.



### WARNING

Do not stack more than five units of this appliance.

Stacking function is not secure during transportation.



## MAINTENANCE



### WARNING

To reduce the risk of electrical shock and fire please observe the following instructions:



- Always unplug the cord before moving, servicing or cleaning.
- NEVER place the Fan in or near water.
- Clean the Fan only with a vacuum equipped with a brush attachment; the vacuum will remove the lint and dirt from inside the Fan.



- Never attempt to take apart the Fan.
- Clean the body of the Fan with a soft cloth only.
- NEVER use ALCOHOL or SOLVENTS such as gasoline, benzene, paint thinner, or other harsh cleaners.

### TROUBLE SHOOTING TIPS

If your Fan fails to operate, see below for a list of probable cause and solution:

Be sure the power cord is plugged into a working electrical outlet.

Breaker Reset: A 12-amp breaker is provided as a safety feature of your blower fan. When you use an appliance that has more amperage than allowed, the breaker will trip. To reset, unplug the appliance causing the breaker to trip and push the Reset Button adjacent to the outlets on the fan.

If you have a problem that can not be resolved by the steps listed above, contact Technical Assistance at (800) 233-0268, Monday through Friday, between the hours of 8:00 a.m. and 5:00 p.m. Eastern.

**STORAGE:** Store the Fan with these instructions, in the original carton in a cool, dry place.

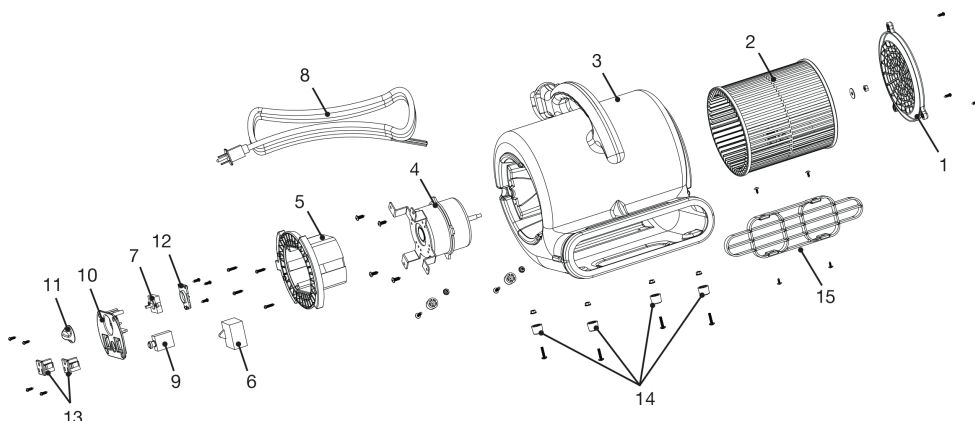
**LUBRICATION:** Motor is permanently lubricated. No maintenance is required.

**DISPOSITION:** Corrugated packaging materials are recyclable. For environmentally responsible disposal of this product, contact your local waste service provider or visit [www.1800recycling.com](http://www.1800recycling.com).

## Troubleshooting

| Problem   | Possible Cause/Solution   |
|---|---|
| Unit will not run                                 | <ul style="list-style-type: none"><li>• No power to unit-Plug it in. Check circuit breaker</li><li>• Switch not on-Place in "ON" position.</li><li>• Switch is faulty-Replace switch.</li><li>• Faulty/broken cord or motor wire-Perform continuity check, using volt/amp meter. Repair/replace faulty broken wire.</li></ul> |
| Unit runs but air mover makes loud scraping noise | <ul style="list-style-type: none"><li>• Unit has been severely jolted causing blower wheel to rub against housing-Remove motor and replace damaged motor mounts.</li><li>• Unit has been severely jolted causing housing to deform-Replace blower wheel.</li></ul>  |
| Unit runs but vibrates excessively                | <ul style="list-style-type: none"><li>• Severe jolt has bent motor shaft causing unit to be out of balance-Remove and replace motor.</li><li>• Air mover blade damaged-Replace blade if necessary.</li><li>• Dirt build up on one side of air mover blade-Clean air mover blade.</li></ul>                                    |
| Unit runs but blower wheel does not turn          | <ul style="list-style-type: none"><li>• Motor bearings are falling or motor has developed an internal electrical fault-Replace motor.</li><li>• Intake grill and/or exhaust grill is obstructed-Replace blade if necessary.</li><li>• Excessive duct length-Reduce duct length to recommended maximum.</li></ul>              |

# Unit Assembly



| Item | Description       | QTY |
|------|-------------------|-----|
| 1    | Air intake Grill  | 1   |
| 2    | Fan               | 1   |
| 3    | Housing           | 1   |
| 4    | Motor             | 1   |
| 5    | Air Intake Grill  | 1   |
| 6    | Capacitor         | 1   |
| 7    | Switch            | 1   |
| 8    | Power Cord        | 1   |
| 9    | Circuit Breaker   | 1   |
| 10   | Switch Panel      | 1   |
| 11   | Switch Knob       | 1   |
| 12   | Switch Backboard  | 1   |
| 13   | Plug Socket       | 2   |
| 14   | Rubber Feet       | 6   |
| 15   | Air Exhaust Grill | 1   |

## Limited Warranty

Subject to this limited warranty, Intertex, LLC (Company) warrants to the original purchaser only this BlueDri product shall be free from defects in material and workmanship, under normal use and service conditions.

If the defective condition can be confirmed without return of the product, replacement parts will be shipped to the original purchaser free of charge. If the original product must be returned for inspection, it shall be at original purchaser's expense. If the defective condition is confirmed, the original purchaser shall be provided replacement parts and shipping free of charge. If the defective condition is not confirmed, the product and replacement parts may be returned to the original purchaser at original purchaser's expense.

This limited warranty does not apply to damage or defect caused by accident, misuse, negligence, fire or excessive wear conditions on items including but not limited to, power cords, transport wheels, castors, handle grips, filters, screens, brushes or carbon brushes. Further, this limited warranty shall not apply to a BlueDri product which has been serviced or repaired by a non-authorized BlueDri Service Distributor or non-Intertex personnel. This limited warranty is void if products are used for any purpose other than that which was intended by the manufacturer.

There are no other warranties expressed or implied. In no event shall Company be liable for incidental or consequential damages, to the extent permitted under applicable law.

## Unit Specifications

|                         |                             |
|-------------------------|-----------------------------|
| VOLTS                   | 115V                        |
| POWER                   | 1/4 HP                      |
| CYCLE                   | 60 Hz                       |
| MAX AIR VOLUME          | 900 CFM                     |
| AMPS LOW/MID/HIGH/SPEED | L 1.6 / M 1.7 / H 2.1       |
| WEIGHT                  | 11.3 LBS                    |
| SIZE L/W/H              | 12.8" L x 12.4" W x 13.3" H |
| SPEED                   | 3 SPEEDS                    |
| CORD LENGTH             | 10'                         |
| BUILT IN POWER OUTLET   | 9.5 AMPS                    |

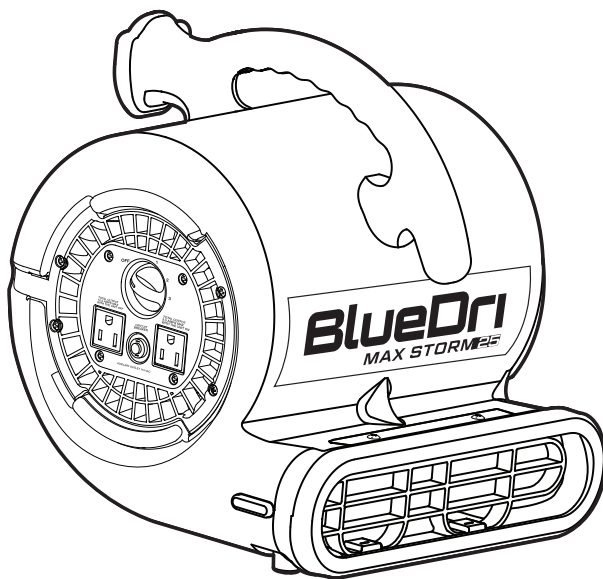
Specifications are subject to change without notice.

### 1-Year Coverage

Subject to the conditions stated in Limited Warranty, Company offers a limited warranty on parts and labor on the following equipment, parts and accessories to be free from defects in material and workmanship for a period of one year to the original purchaser.

### 5-Year Coverage

Subject to the conditions stated in Limited Warranty, Company warrants parts and labor on rotationally molded polyethylene tanks/housings and injection molded vacuum head assemblies to be free from defects in materials and workmanship for a period of five years to the original purchaser.



Owner's Manual | BD-MS25

# BlueDri<sup>®</sup> COMMERCIAL AIR MOVER

Intertex, LLC  
Lasko.com  
820 Lincoln Ave  
West Chester, PA 19380