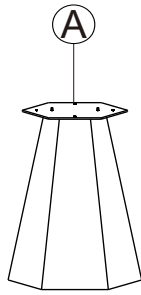


CARMEL ROUND DINING TABLE ASSEMBLY INSTRUCTIONS

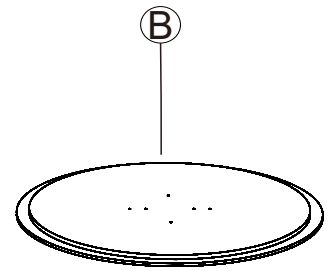


PARTS PACKING CONFIGURATIONS

BOX #1
A. BASE 1 PC



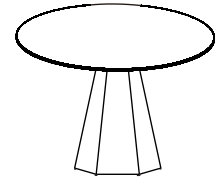
BOX #2
B. TOP 1 PC



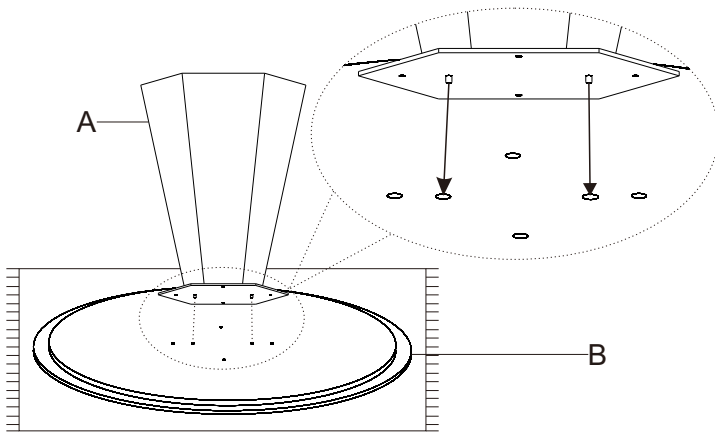
HARDWARE KIT PACKED IN BOX #1

NO.	DESCRIPTION	IMAGE	QTY
1	FLAT WASHER(M8)		4 PCS
2	ALLEN BOLT(8x20mm)		4 PCS
3	ALLEN KEY(S5)		1 PC
4	LOCK WASHER(M9)		4 PCS

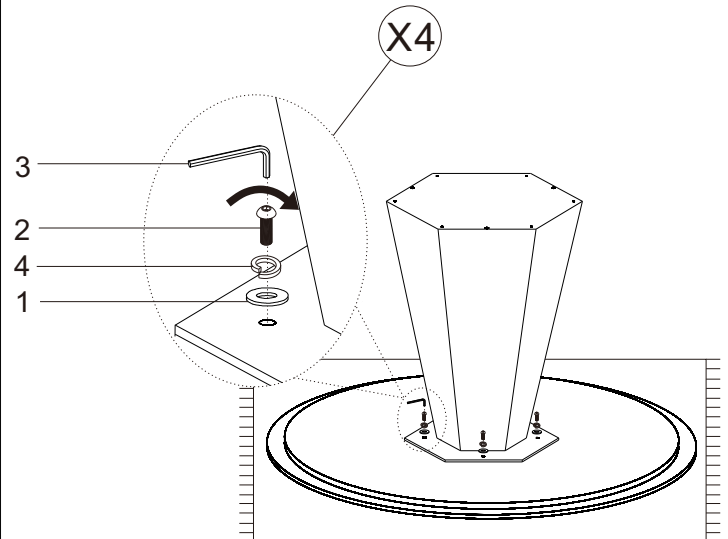
FULLY ASSEMBLED



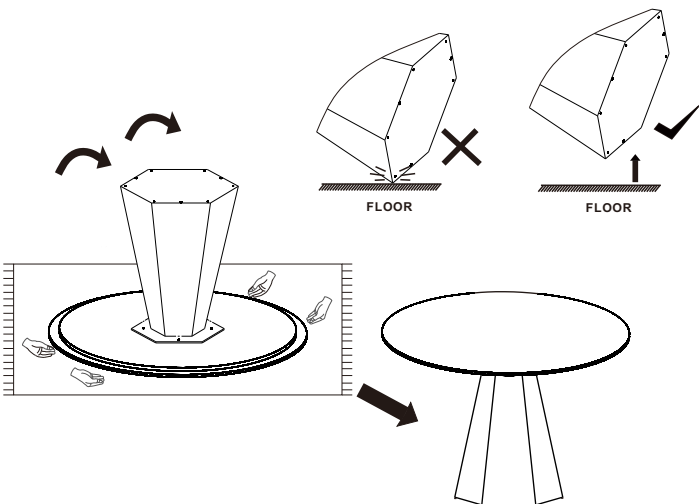
STEP 1:



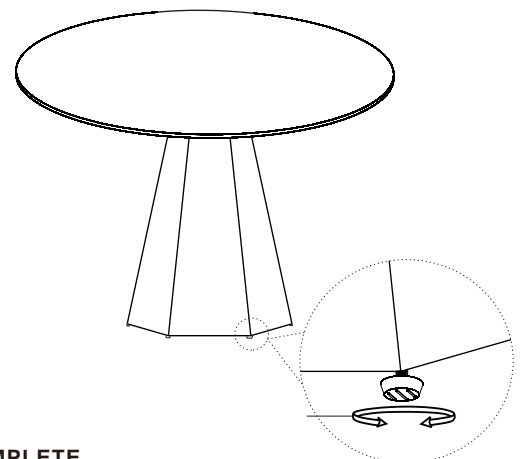
STEP 2:



STEP 3:



STEP 4:



ASSEMBLY COMPLETE