

Assembly Instructions

Upholstered Bench

Model # : 385-508

Thank you for purchasing Bernhardt furniture . Please check all packing material to ensure proper assembly. Please read all instructions carefully before starting the assembly process . Some parts are large and heavy and require AT LEAST TWO PEOPLE to assemble , in order to prevent possible injury and / or damage to the piece

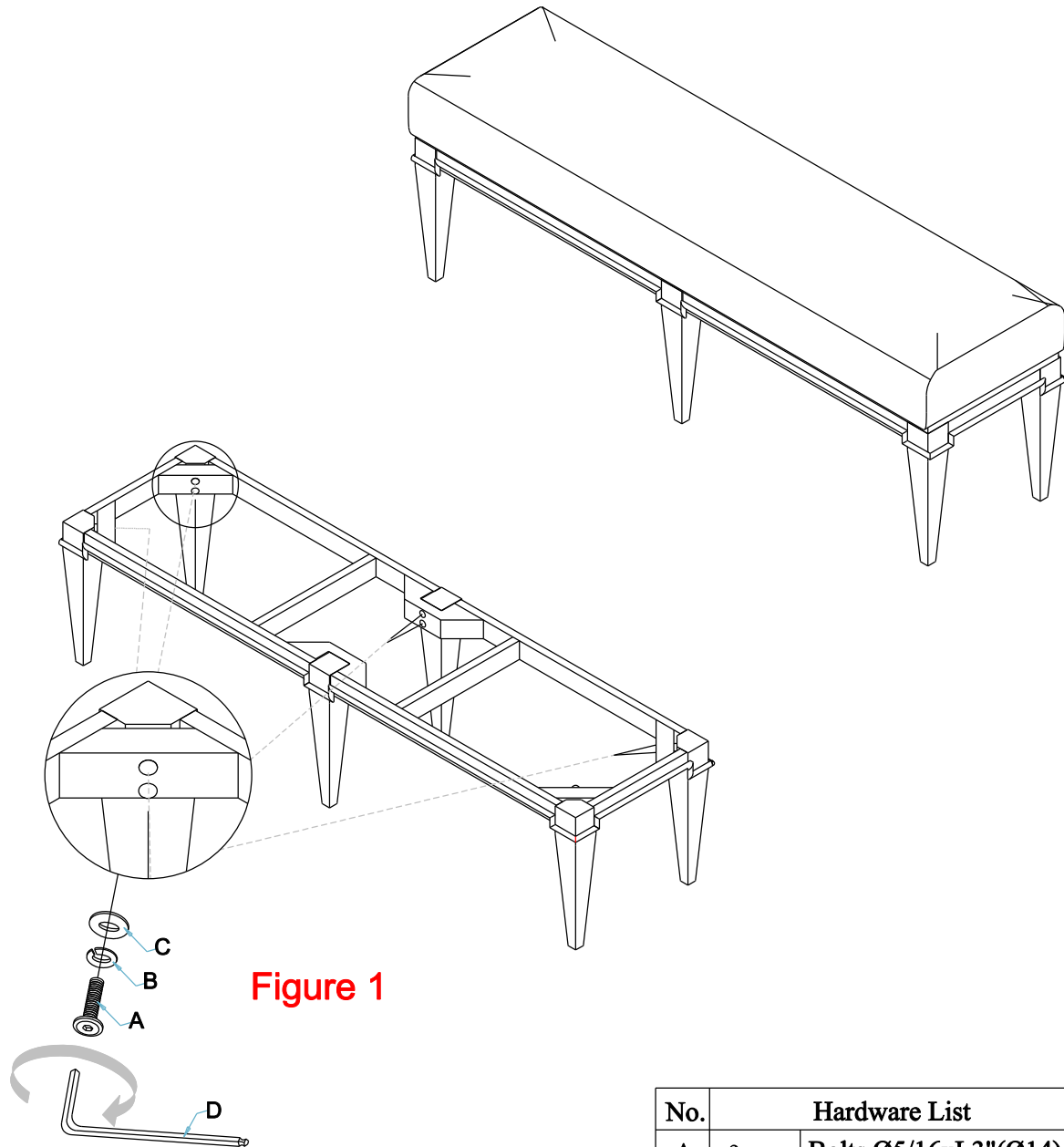






Figure 1

No.	Hardware List		Q'ty
A		Bolts Ø5/16xL3"(Ø14)	12
B		Lock Washer Ø5/16xØ14x1	12
C		Flat Washer Ø5/16xØ18x1	12
D		Allen Wrench 5mm	1

Cleaning instruction: Wipe surface to be cleaned with damp cotton cloth ; dry immediately with soft dry cotton cloth to remove all moisture .