



Traveler Bean Bag Toss



Please keep this instruction manual for future reference

If you have any problems with your new product, please visit our website www.triumphsportsusa.com for the fastest expedited service possible for your replacement part ordering needs. Please have a copy of your receipt of purchase. For any technical support or warranty issues, please contact Triumph Sports USA at 1-866-815-4173 or email us at csr@triumphsportsusa.com

90-Day Triumph Sports USA, Inc. (TSU) Game Warranty

All TSU games have a 90-day from date of purchase warranty. This warrants the retail purchaser for any TSU game purchased to be free from any defect in materials and construction for 90 days from the date of purchase. Normal play wear and usage is not covered under the warranty, nor is wear or damage due to improper use of the TSU game. This will void any and all TSU warranties.

A PURCHASE RECEIPT (or other proof of purchase date) will be required before any warranty service is initiated. All requests for warranty service can be submitted by email, in writing or by contacting our Customer Service Department at: 1-866-815-4173 or email us at csr@triumphsportsusa.com.

IMPORTANT NOTICE! Please contact us before returning the product to the store.

Warnings



WARNING: CHOKING HAZARD - Small parts included in assembly.

Recommended for ages 6 and over.

Not for use by children without adult supervision.

This is not a child's toy. Adult supervision is required for children playing this game. Please read instructions carefully. Proper use of this set can prevent damage or injury.

Be sure to check out all the exciting games  has to offer.

Visit our web site at:

www.triumphsportsusa.com



BILLIARDS



DARTS



GAME TABLES



CASINO



OUTDOOR GAMES



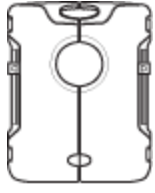
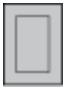



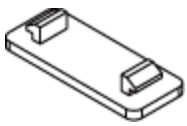
DARTBOARDS

Triumph Sports USA
11327 W Lincoln Ave.
West Allis, WI 53227

www.triumphsportsusa.com

©2015 Triumph Sports USA. All Rights Reserved.

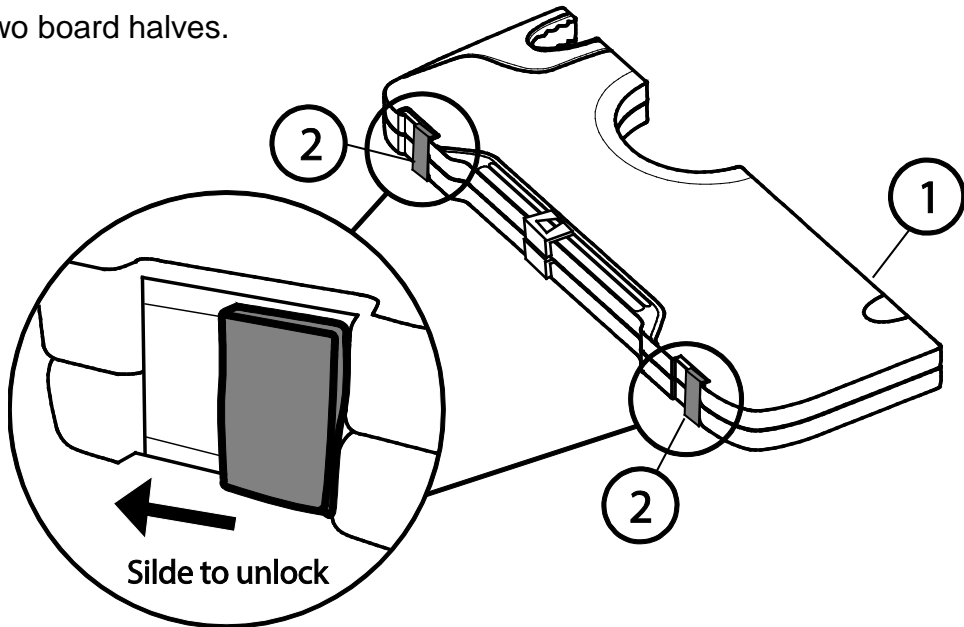
Parts List

1  Board 2pcs	2  Lock (pre-attached) 4pcs	3  Logo plate 2pcs	4  Red Bean Bag 4pcs
5  Blue Bean Bag 4pcs	6  Board Bracket 6pcs	7	

Assembly Instructions

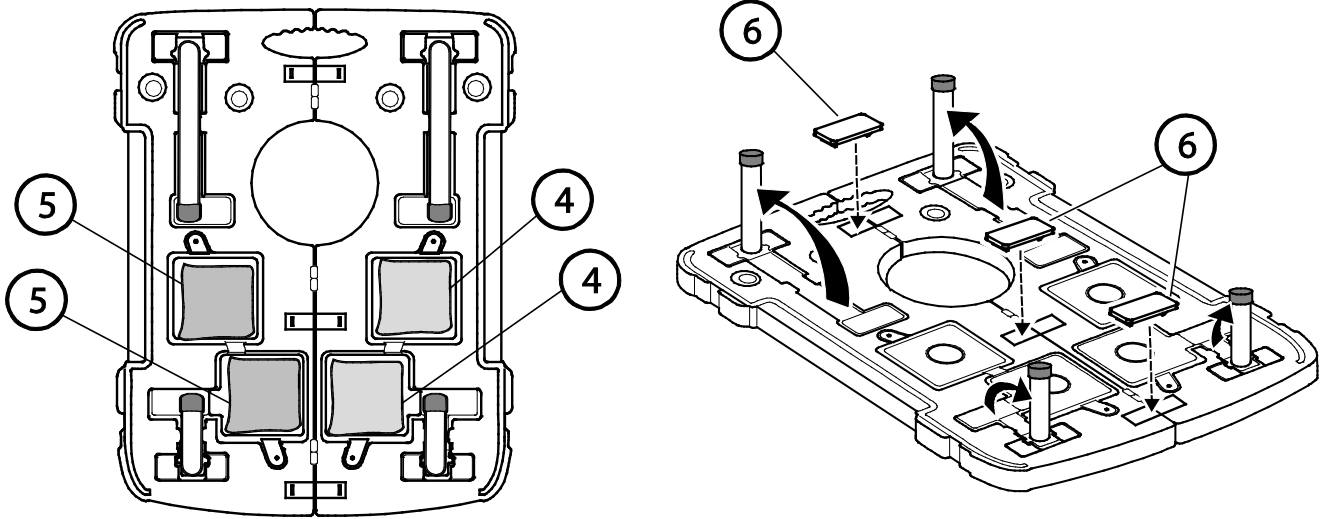
STEP 1:

Unlock the two board halves.



STEP 2:

Remove all Bean Bags (#4 and #5) from back of the board.
Insert Board Brackets (#6) and flip Legs.

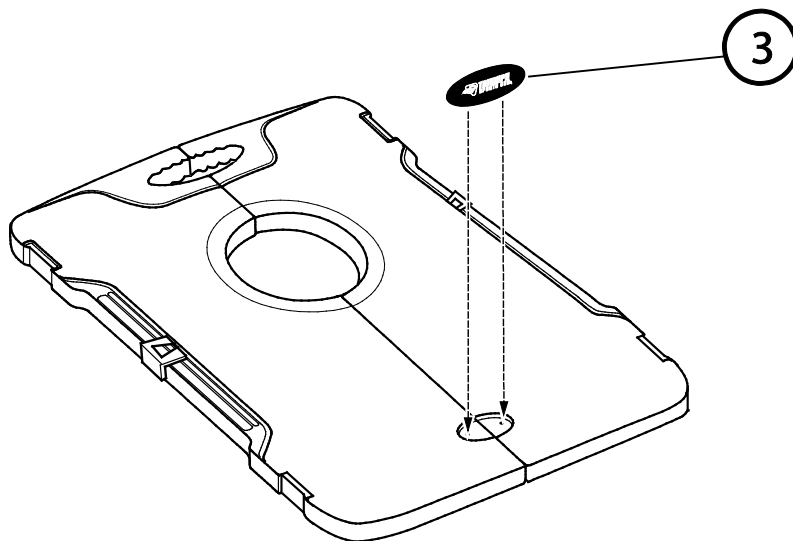


Note: The Board Brackets (#6) are designed to fit tightly into the back of the Boards (#1). To install properly it may require the use of mallet or hammer. Place the bracket into the slots as shown in STEP 2.

Using the side of the mallet handle apply even pressure across the length of the bracket. This should press the bracket into the slots. If the bracket is not fully pressed into place slightly tap the brackets with the mallet or hammer should fully secure them in place.

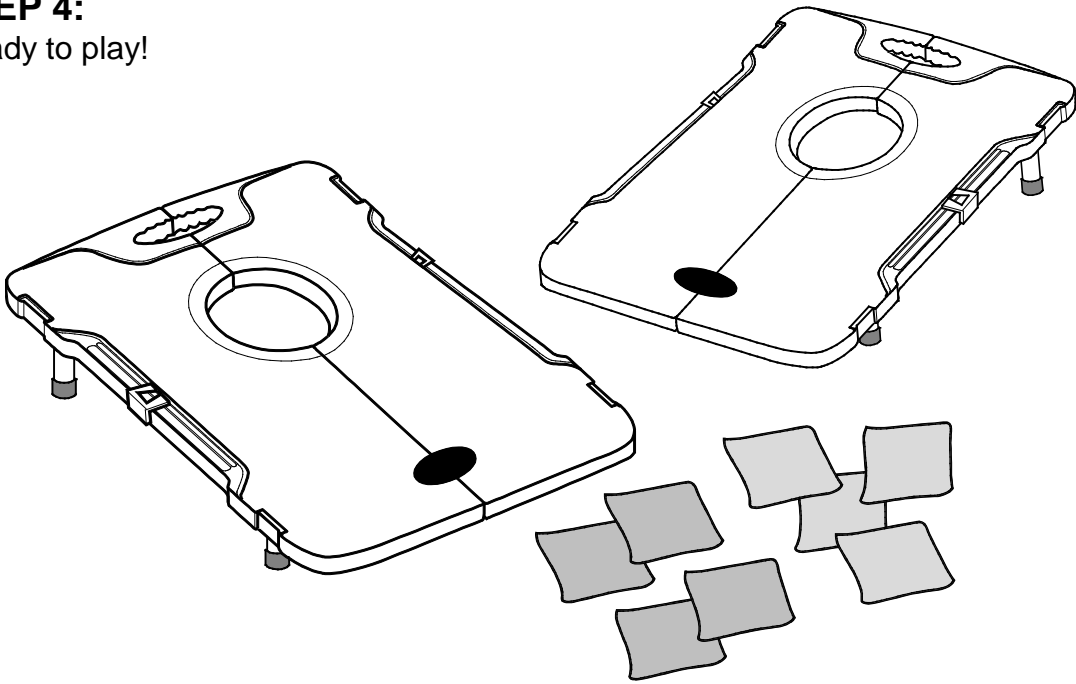
STEP 3:

Flip board over and insert the logo plate (#3) into cavity as shown.



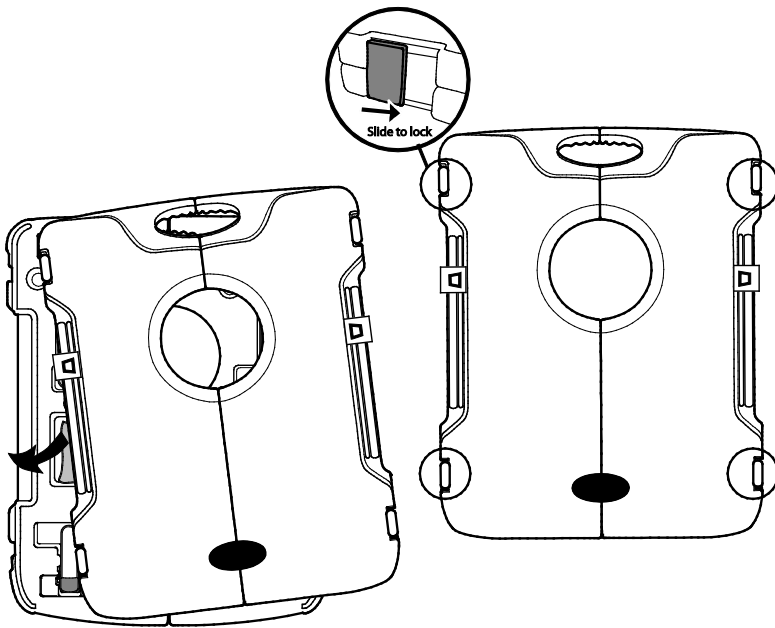
STEP 4:

Ready to play!

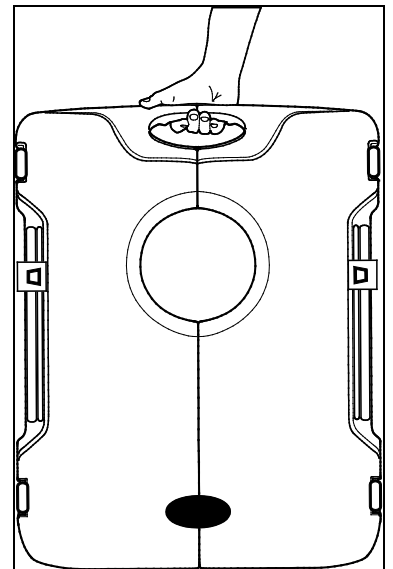


STEP 5:

Fold legs down, store bean bags and lock boards together as shown for easy carrying.



You're ready to go.



Game Rules

Bag Toss

2 to 8 players

Preparation: Set the boards 15 feet apart from the front of the boards on even ground. (Adjust as needed for children).

Each team has 4 Bean Bags. Players should alternate throws during their team's turn.

Hint: You can knock your opponent's Bean Bags off the board.

A bag thrown through the hole earns 3 points. A bag that lands on the board earns 1 point. Subtract the low score from the high score for each round of play. For example: Team A has 1 bag in the hole and 2 bags on the board, for a score of 5 points. Team B has two bags on the board, for a score of 2 points. Team A (5 points) – Team B (2 points) = Team A (3 points). Team A receives 3 points for that round of play.