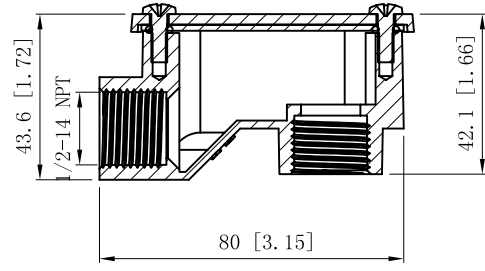
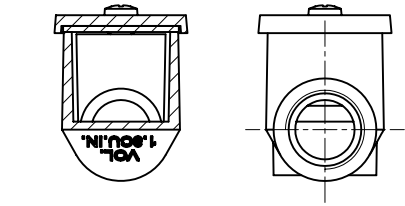
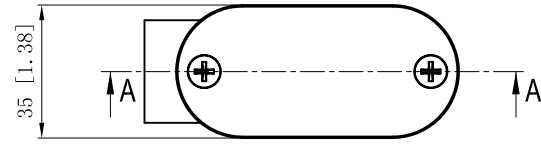


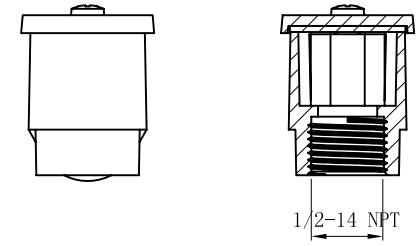
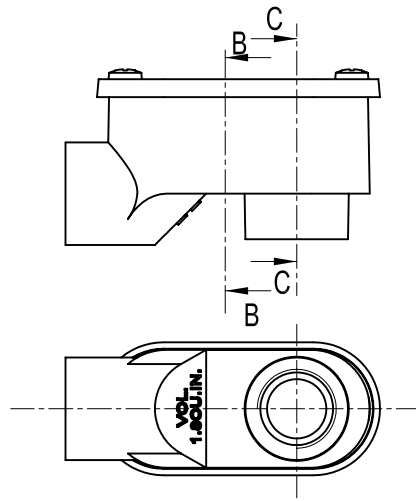
SIDES	BOTTOM
2 PCS 8-32×1/2 Screws Installed	
2 PCS 3.55 X 1.8G (GB34521-92) O-Ring	
Material: Aluminum Powder Coating Silver Grey	



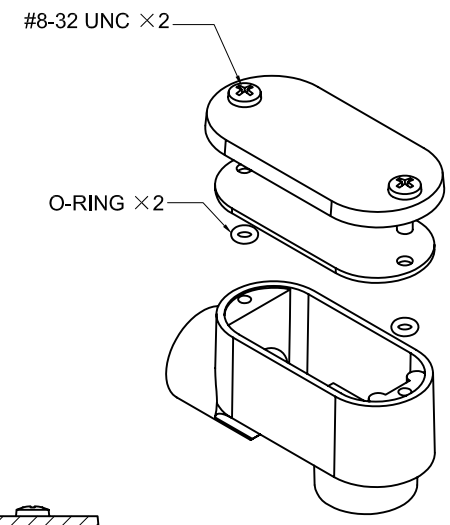
CUTAWAY VIEW A-A



CUTAWAY VIEW B-B



CUTAWAY VIEW C-C



DESCRIPTION
TRADE REFERENCE TERMS

STANDARD PACKING
30 PCS

This data sheet is for reference only .GARVIN INDUSTRIES reserves the right to make changes to the design without prior notice.

GARVIN INDUSTRIES		
SERVICE ENTRANCE ELBOWS		
SIZE A4	DWG NO. SLB50	REV
DATA SHEET		