

ASSEMBLY INSTRUCTION







ITEM: 6700-75203B-97 Round Dining Table Base
6700-75203T-80 Round Dining Table Top

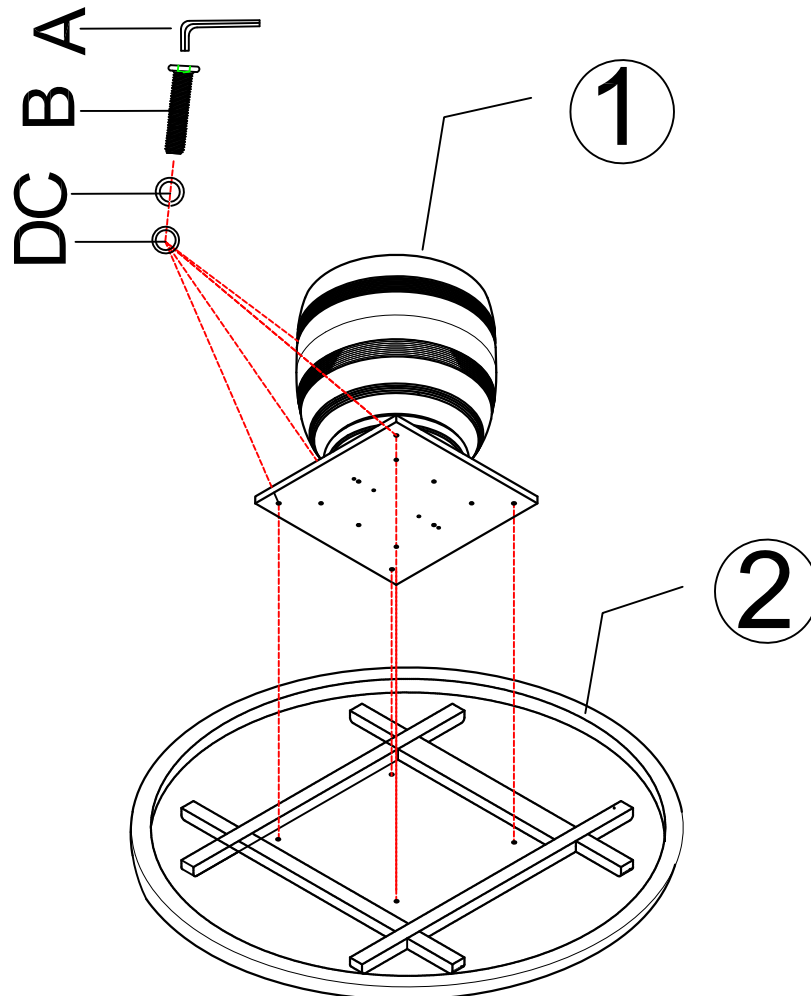
Thank you for purchasing this quality product. Be sure to unpack carefully looking for small parts which may have come loose during shipment.

Read all instruction and study the drawing carefully before starting the assembly process.

HARDWARE PACK

PART LIST

NO.	DRAWING	DESCRIPTION	SIZE	Q'TY	NO.	DRAWING	DESCRIPTION	Q'TY
A		Allen Wrench	5mm	1PC	①		Base	1PC
B		Bolt	5/16"	4PCS	②		Top	1PC
C		Lock Washer	5/16"	4PCS				
D		Flat Washer	5/16"	4PCS				

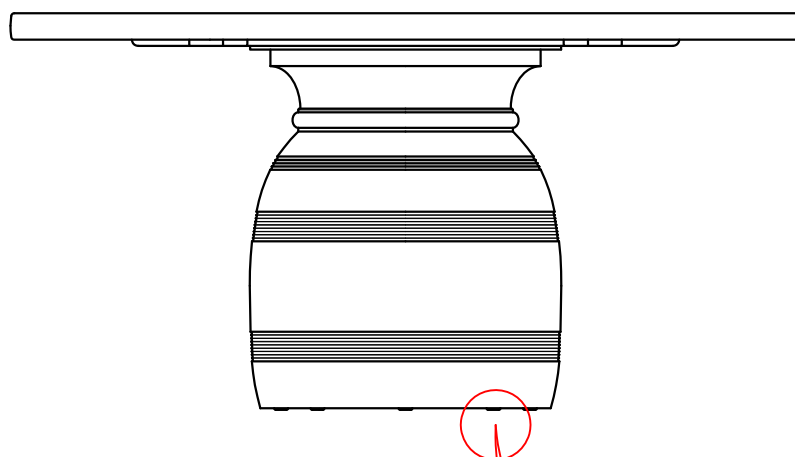


STEP 1

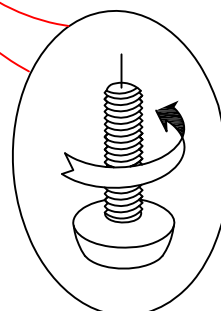
ASSEMBLY INSTRUCTION

ITEM: 6700-75203B-97 Round Dining Table Base
6700-75203T-80 Round Dining Table Top

Thank you for purchasing this quality product. Be sure to unpack carefully looking for small parts which may have come loose during shipment.
Read all instruction and study the drawing carefully before starting the assembly process.



Adjust Leveler if needed
to level table on uneven
floor.



STEP 2