

# CAMDEN EXT DINING TABLE

## ASSEMBLY INSTRUCTIONS

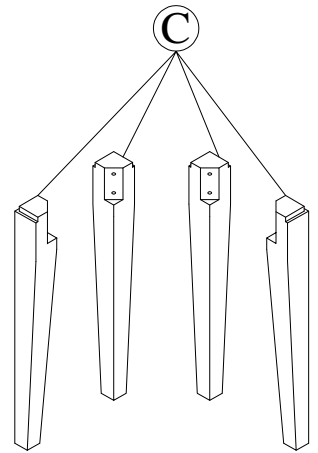
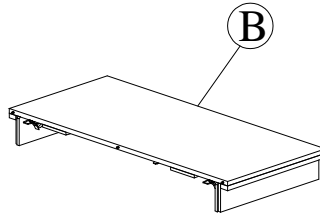
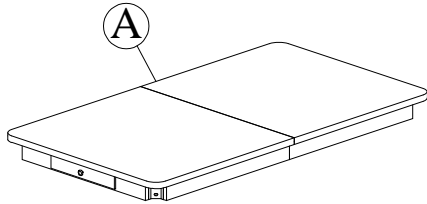


### PARTS PACKING CONFIGURATIONS

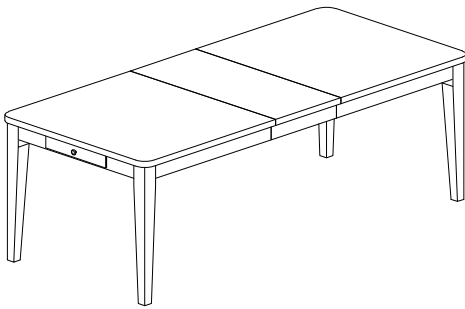
A. TABLE TOP 1 PC

B. EXTENSION LEAF 1 PC

C. LEG 4 PCS



#### FULLY ASSEMBLED

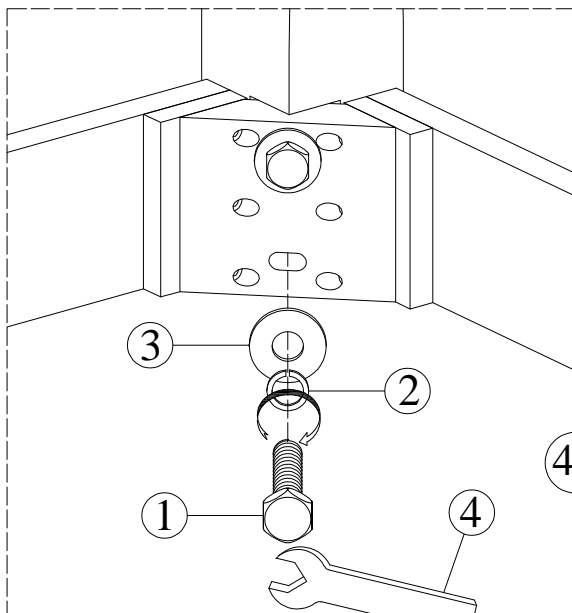


#### HARDWARE KIT PACKED IN BOX

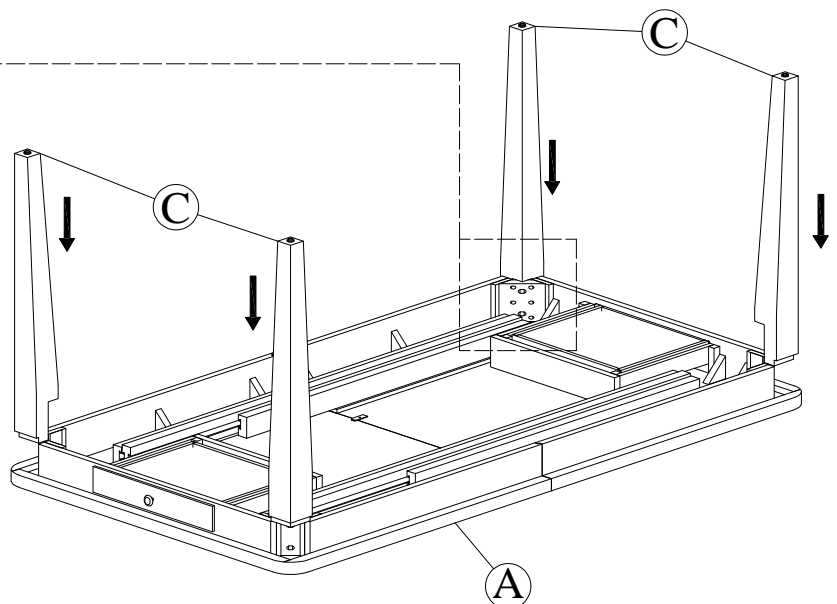
No.	Description	Image	Quantity
1	HEX BOLT (8x60mm)		8 PCS
2	SPRING WASHER (M9)		8 PCS
3	FLAT WASHER (M9)		8 PCS
4	WRENCH (13mm)		1 PC



#### STEP 1:



4x

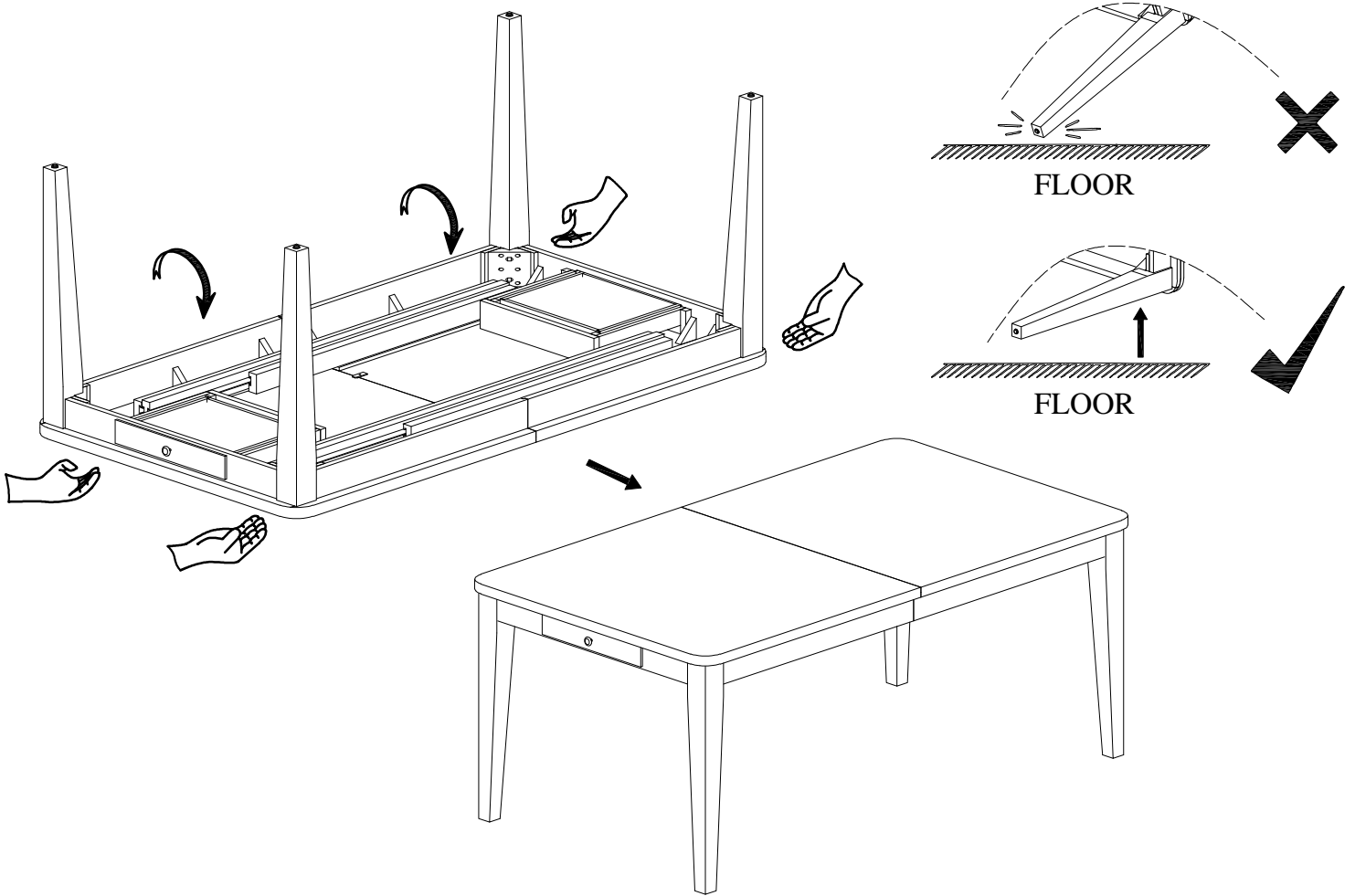


# CAMDEN EXT DINING TABLE

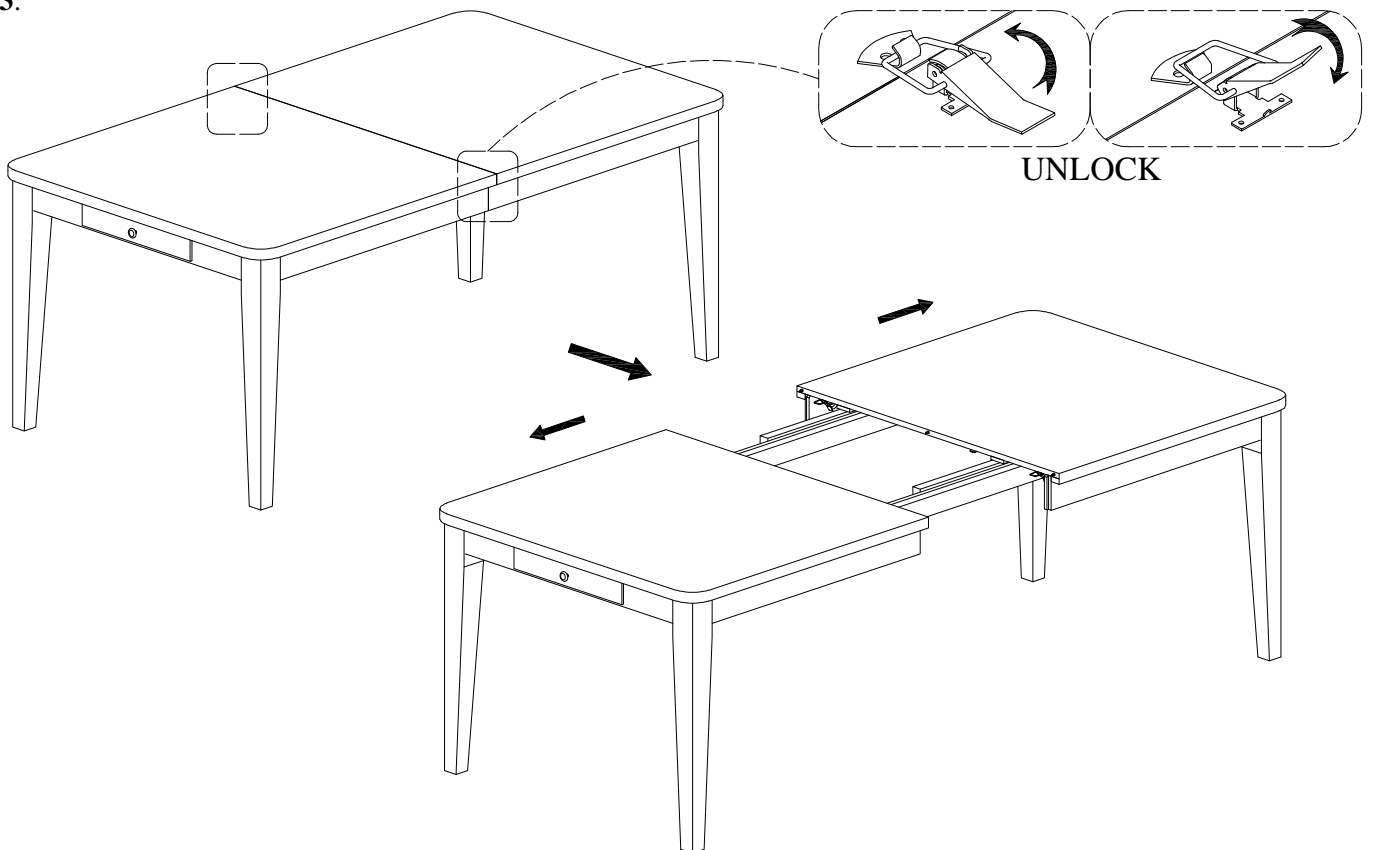
## ASSEMBLY INSTRUCTIONS



### STEP 2:



### STEP 3:

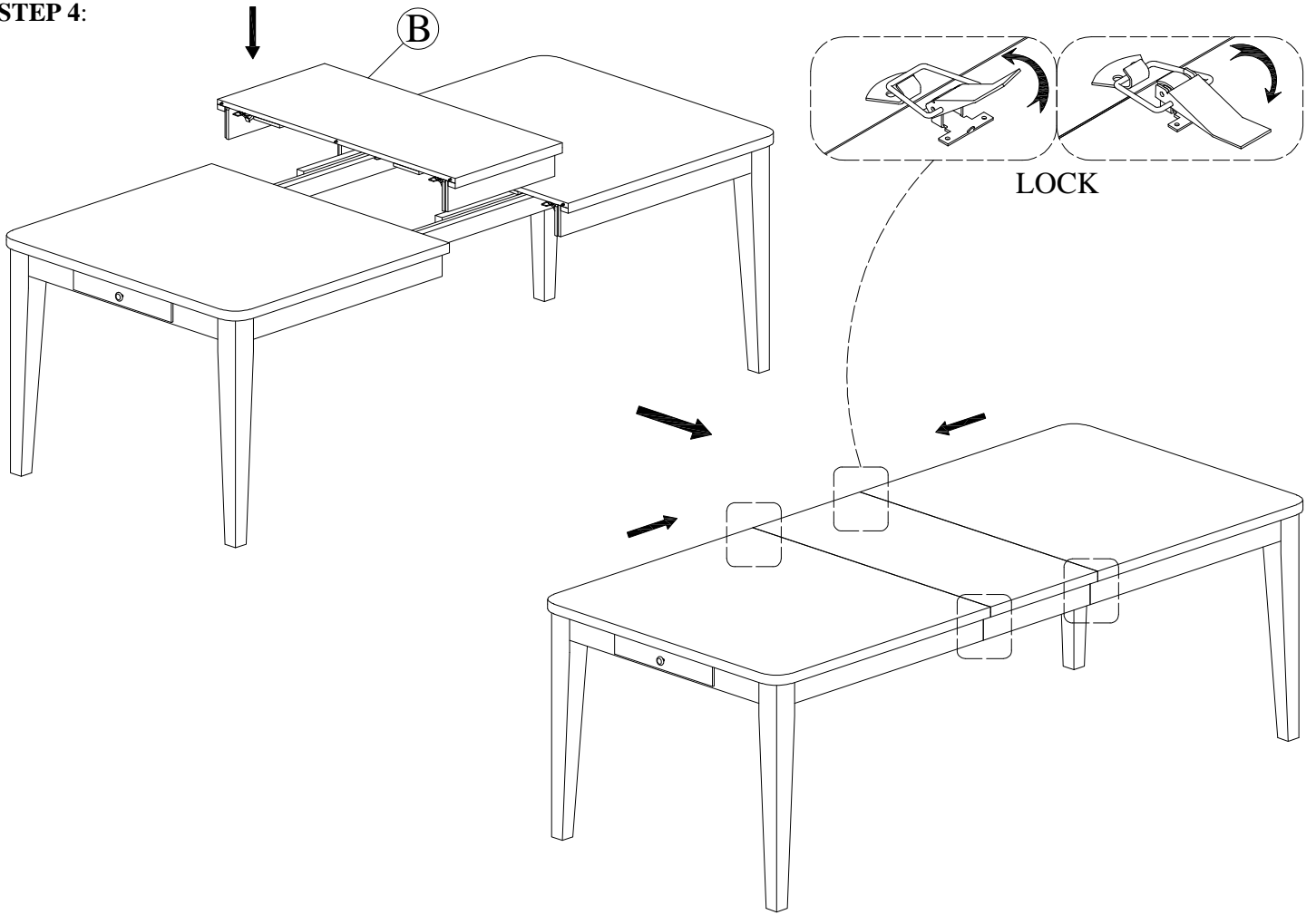


# CAMDEN EXT DINING TABLE

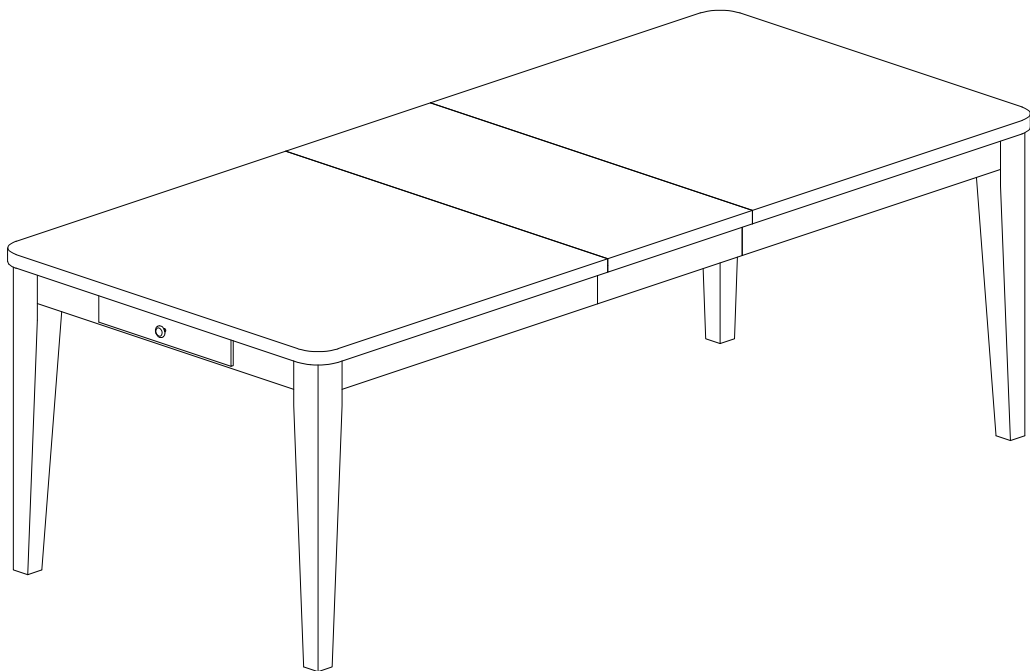
## ASSEMBLY INSTRUCTIONS



STEP 4:



STEP 5:



ASSEMBLY COMPLETE