

## Features

- High-quality solid metal construction for durability and reliability
- Required rough-in sold separately
- Precise temperature setting capability
- Patented K-joint installation ensures consistent trim appearance

## Required Products/Accessories

P29511-WS 1/2" Thermostatic Mixing Valve

or

P29512-WS 3/4" Thermostatic Mixing Valve

or

P25023-CR Script Volume Control Trim, Cross Handle

## Recommended Products/Accessories

P25018-LV Script Pressure Balance Trim, Lever Handle

P25024-CR Transfer Trim, Cross Handle

P25040-00 Showerhead with Arm

P25041-00 Towel Bar, 24"



**ADA**

**CSA B651**

**OBC**

## Codes/Standards

ASME A112.18.1/CSA B125.1

ADA

ICC/ANSI A117.1

CSA B651

OBC

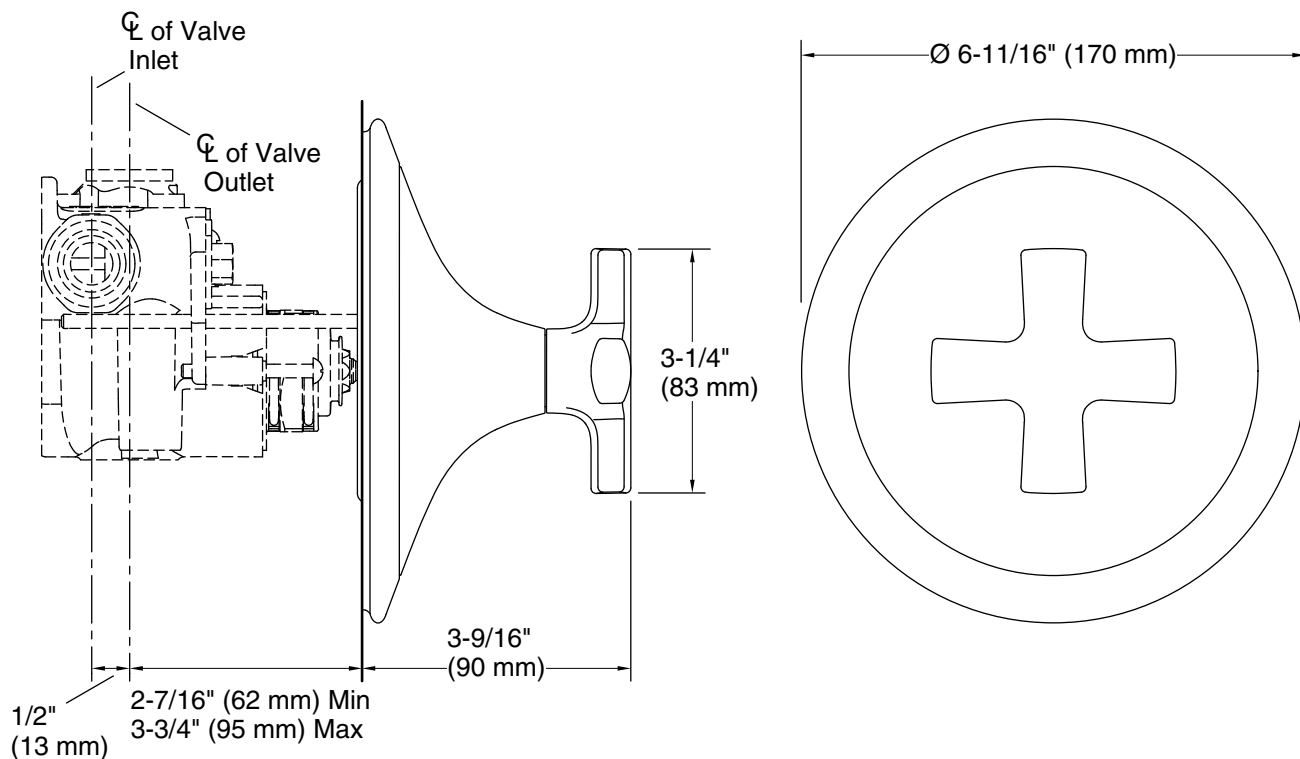
## KALLISTA® Five-Year Limited Warranty

See website for detailed warranty  
information.

## Available Colors/Finishes

*Color tiles intended for reference only.*

| Color   | Code | Description         |
|---|------|---------------------|
|  | CP   | Polished Chrome     |
|  | BAF  | Brushed French Gold |
|  | BN   | Brushed Nickel      |
|  | BV   | Brushed Bronze      |
|  | SN   | Polished Nickel     |



## Technical Information

All product dimensions are nominal.

## Notes

Install this product according to the installation instructions.

ADA, OBC, CSA B651 compliant when installed to the specific requirements of these regulations.