


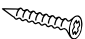


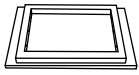
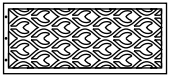
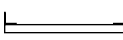
Assembly Instructions

Karni Nesting 2 Tables

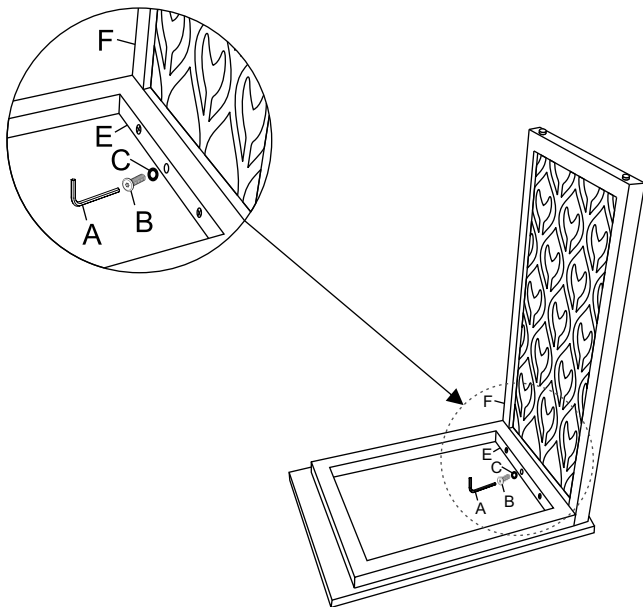
HARDWARE LIST FOR 2 TABLES:-

NO.	DESCRIPTION	IMAGE	QTY
A	ALLEN KEY (4mm)		1
B	ALLEN BOLT (10X40mm)		12
C	WASHER		12
D	SCREW (5x15mm)		8

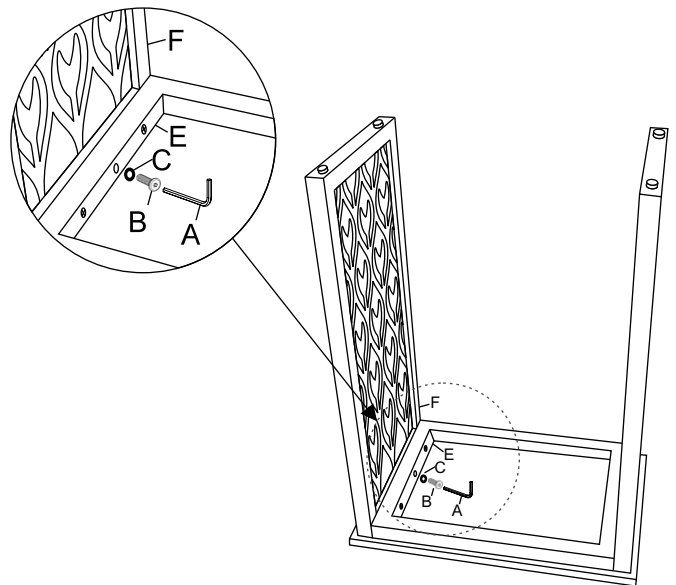
PART LIST FOR 2 TABLES:-

NO.	DESCRIPTION	IMAGE	QTY
E	TABLE TOP		2
F	LEGS		4
G	LEGS SUPPORT		2

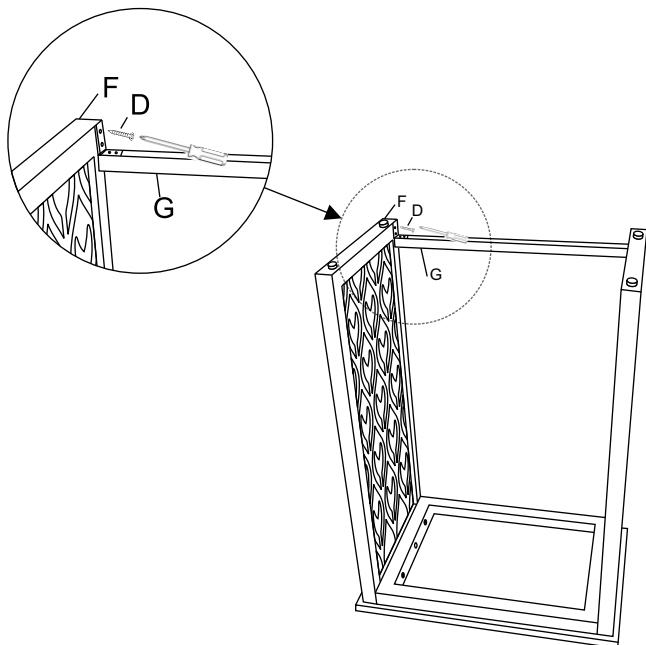
Step :- 1 Do not fully tighten sides until lower brace is in place.



Step :- 2 Do not fully tighten sides until lower brace is in place.



Step :- 3 Fully tighten sides.



Step :- 4 Ready for use.

