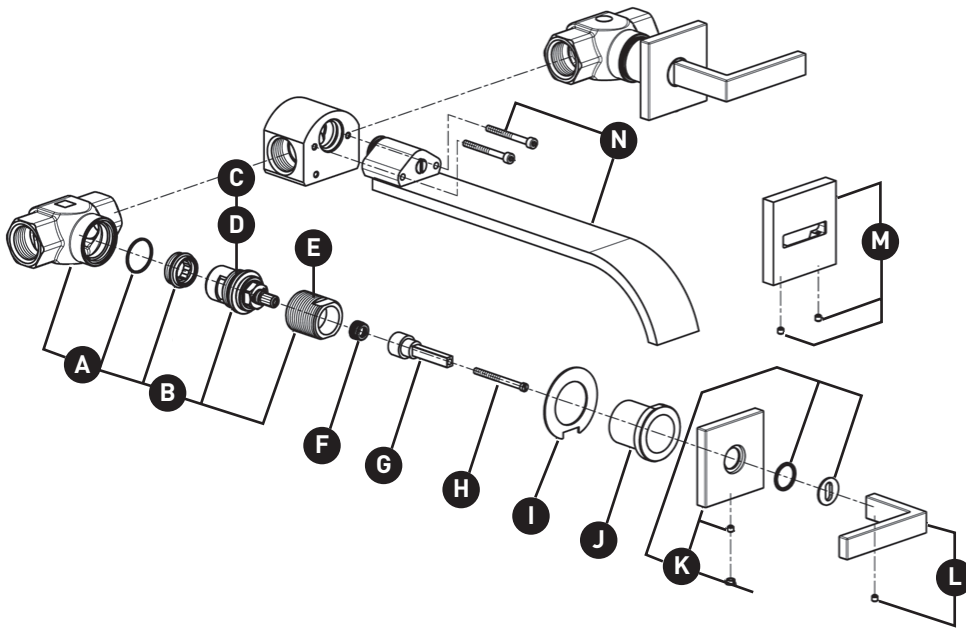


ORDER BY PART NUMBER

ILLUSTRATED PARTS

WA721

Wave™ Wall Mount Tub Filler



ID	Kit Number	Finish
A	ZZ 94945 0 (H)	N/A
B	ZZ 10331 3 (C)	N/A
C	ZZ 93822 (C)	N/A
D	ZZ 93665 (H)	N/A
E	ZZ926820	N/A
F	ZZ 93330 0	N/A
G	ZZ 94739 0	N/A
H	ZZ 94733 0	N/A
I	ZZ 94742 0	N/A
J	ZZ94743 0	N/A
K	ZZ 94703 0*	See below
L	ZZ 94710 0*	See below
M	ZZ 94946 0*	See below
N	ZZ 94947 0*	See below

***Finish Determined by Suffix**

Finish	Description
APC	Polished Chrome
STN	Satin Nickel

For warranty or additional information, contact:

U.S.A.
houseofrohl.com/support
1-800-777-9762

QUEBEC / MARITIMES / WESTERN CANADA
QUÉBEC / MARITIMES / OUEST CANADIEN
QUEBEC / MARITIMOS / CANADA OCCIDENTAL
houseofrohl.ca/support
1-866-473-8442

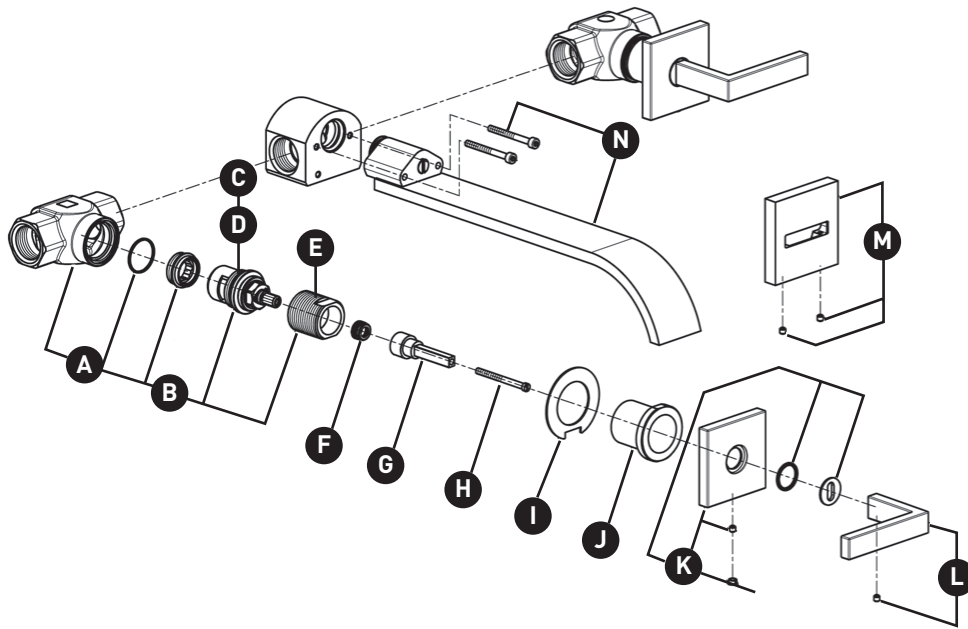
ONTARIO
houseofrohl.ca/support
1-800-287-5354

VEUILLEZ EFFECTUER VOTRE COMMANDE
PAR NO DE RÉFÉRENCE

ILLUSTRATIONS DES PIÈCES

WA721

Robinet de bain mural 8" Wave™



ID	Référence du kit	Finition
A	ZZ 94945 0 (H)	N/A
B	ZZ 10331 3 (C)	N/A
C	ZZ 93822 (C)	N/A
D	ZZ 93665 (H)	N/A
E	ZZ926820	N/A
F	ZZ 93330 0	N/A
G	ZZ 94739 0	N/A
H	ZZ 94733 0	N/A
I	ZZ 94742 0	N/A
J	ZZ94743 0	N/A
K	ZZ 94703 0*	Voir ci-dessous
L	ZZ 94710 0*	Voir ci-dessous
M	ZZ 94946 0*	Voir ci-dessous
N	ZZ 94947 0*	Voir ci-dessous

*Finition déterminée par le Suffixe

Finition	Description
APC	Laiton poli
STN	Nickel satiné

For warranty or additional information, contact:

U.S.A.
houseofrohl.com/support
1-800-777-9762

QUEBEC / MARITIMES / WESTERN CANADA
QUÉBEC / MARITIMES / OUEST CANADIEN
QUEBEC / MARITIMOS / CANADA OCCIDENTAL
houseofrohl.ca/support
1-866-473-8442

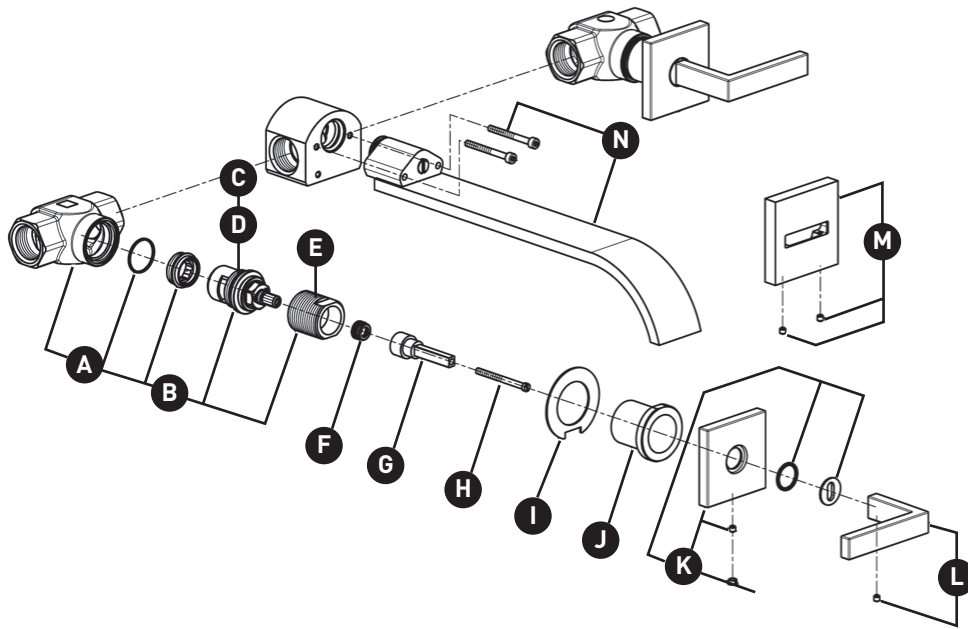
ONTARIO
houseofrohl.ca/support
1-800-287-5354

PEDIR POR NÚMERO DE REFERENCIA

PIEZAS ILUSTRADAS

WA721

Llenador de tina de montaje en pared
Wave™



ID	Referencia del kit	Acabado
A	ZZ 94945 0 (H)	N/A
B	ZZ 10331 3 (C)	N/A
C	ZZ 93822 (C)	N/A
D	ZZ 93665 (H)	N/A
E	ZZ926820	N/A
F	ZZ 93330 0	N/A
G	ZZ 94739 0	N/A
H	ZZ 94733 0	N/A
I	ZZ 94742 0	N/A
J	ZZ94743 0	N/A
K	ZZ 94703 0*	Ver más abajo
L	ZZ 94710 0*	Ver más abajo
M	ZZ 94946 0*	Ver más abajo
N	ZZ 94947 0*	Ver más abajo

*Acabado determinado por el sufijo

Acabado	Descripción
APC	Cromo pulido
STN	Níquel satinado

For warranty or additional information, contact:

U.S.A.
houseofrohl.com/support
1-800-777-9762

QUEBEC / MARITIMES / WESTERN CANADA
QUÉBEC / MARITIMES / OUEST CANADIEN
QUEBEC / MARITIMOS / CANADA OCCIDENTAL
houseofrohl.ca/support
1-866-473-8442

ONTARIO
houseofrohl.ca/support
1-800-287-5354