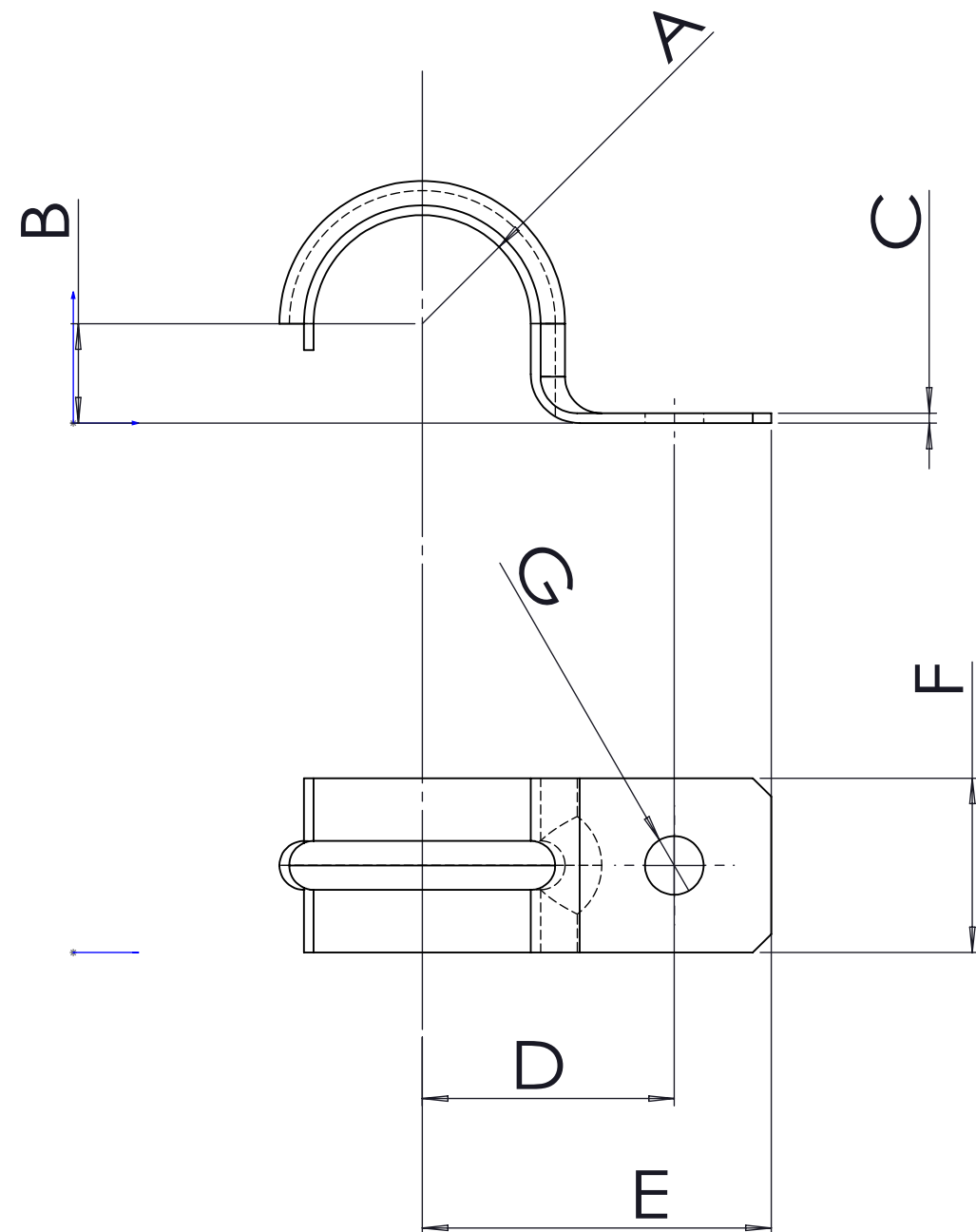


SIDES	BOTTOM
Material:Steel-(C1008-C1018)Galvanized	

PART NO	SIZE	A	B	C	D	E	F	G	STD. PKG.
OHS50	1/2"	0.350	0.320	0.067	0.837	1.200	0.550	0.250	100
OHS75	3/4"	0.460	0.425	0.067	0.940	1.300	0.625	0.250	100
OHS100	1"	0.560	0.550	0.067	1.150	1.515	0.740	0.312	50
OHS125	1 1/4"	0.750	0.715	0.071	1.465	1.950	0.860	0.320	50
OHS150	1 1/2"	0.870	0.825	0.079	1.687	2.125	0.870	0.320	25
OHS200	2"	1.100	1.050	0.094	2.000	2.625	1.100	0.390	25



This data sheet is for reference only .GARVIN INDUSTRIES reserves the right to make changes to the design without prior notice.

DESCRIPTION	STANDARD PACKING	GARVIN INDUSTRIES		
		TITLE STEEL ONE-HOLE STRAPS FOR EMT		
TRADE REFERENCE TERMS	SEE ABOVE	SIZE A4	DWG NO. OHS50 ~ OHS200	REV