

Information

For more information, advice and tips concerning our products contact your photo dealer, the distributor of NOVOFLEX products in your country (have a look at "Where to buy" section at our website to find your distributor) or visit our website: <http://www.novoflex.com>

For personal advice about possible accessories which is suitable for your NOVOFLEX product please contact the following phone number or send us an E-mail.

NOVOFLEX Phone: +49 8331 88888

NOVOFLEX E-Mail: mail@novoflex.com

Focusing Rack CASTEL-XQ II

USER MANUAL

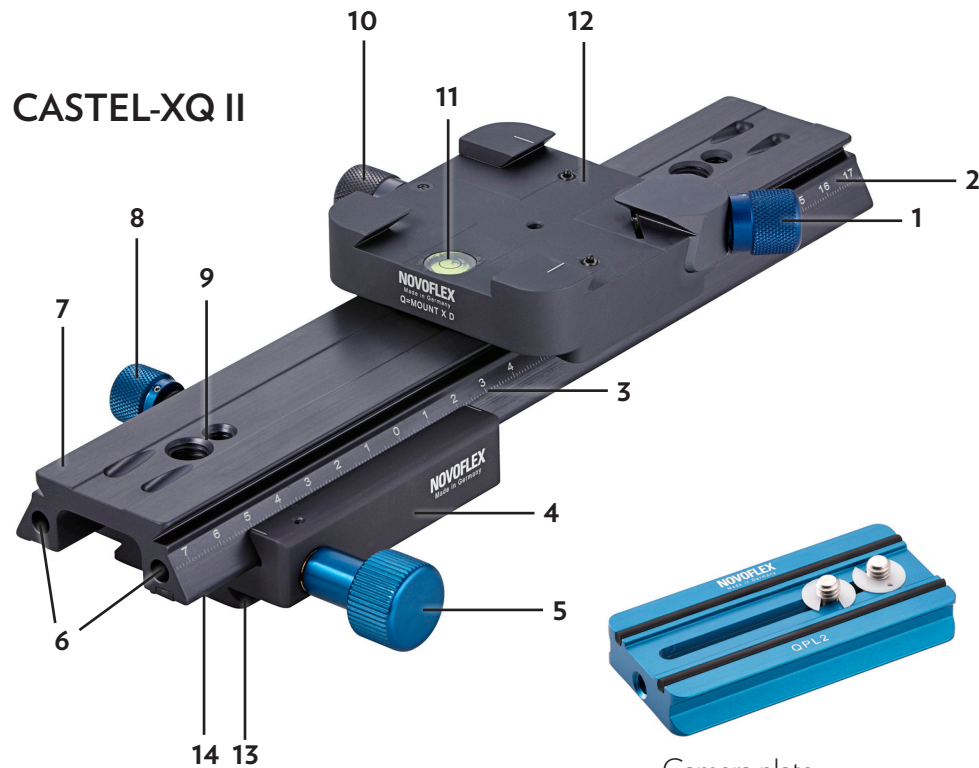
N
NOVOFLEX



CASTEL-XQ II

© NOVOFLEX Präzisionstechnik GmbH
Brahmsstraße 7
D-87700 Memmingen
Phone +49 8331 88888, Fax +49 8331 47174
Email mail@novoflex.com, Internet www.novoflex.com

N
NOVOFLEX



Camera plate
NOVOFLEX QPL2
(Not within the scope
of delivery)

- Note: For optimum stability and safety, we recommend using a long clamp such as the QPL2, QPL3 or QPL4 on the cross quick-release. **Square- and short plates can only be clamped on one side due to their design.**

Setup a cross-focusing rack

- The use of two focusing racks, which are mounted offset by 90°, gives the functionality of a cross focusing rack, which enables pinpoint positioning of the camera in two different directional axes. Ideally, the NOVOFLEX CASTEL-Q is used for the additional focusing rack, as right angles are guaranteed by the transversely mounted dovetail clamp. This clamp picks up the upper focusing rack with the dovetail profile on its bottom. The design meets the highest demands on precision and stability and allows a sensitive and jerk-free adjustment of the camera position.



Nomenclature

1	Locking knob cross quick-release
2	Guide rail
3	Scale
4	Sliding block
5	Operating knob
6	Guideway holes
7	Dovetail guide (ARCA-type)

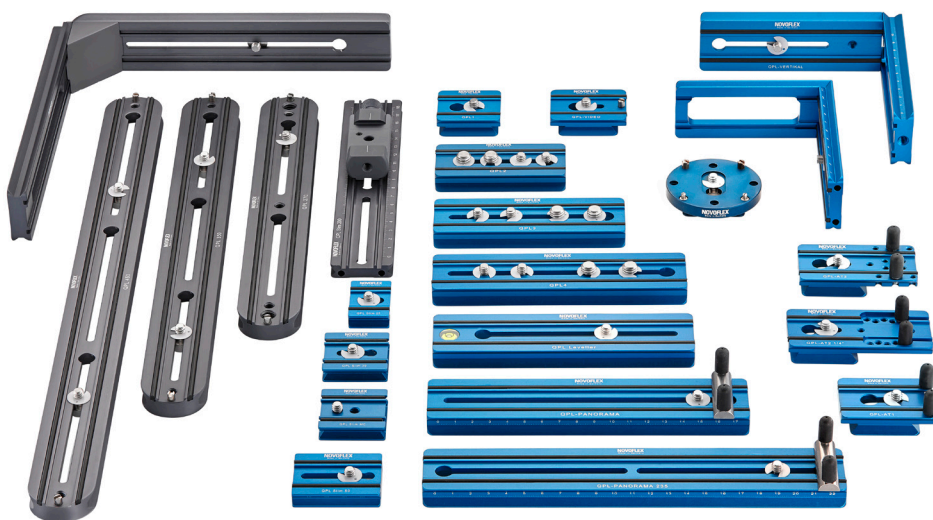
8	Clamping screw sliding block
9	Tripod mount 1/4" and 3/8"
10	Clamping screw Q=MOUNT XD
11	Spirit level
12	Cross quick-release Q=MOUNT XD
13	Dovetail guide (ARCA-type)
14	Tripod mount 1/4" and 3/8"

- For digitizing framed slides, the slide duplicator NOVOFLEX **CASTEL-COP-DIGI** is being offered. It is the ideal tool for a fast and easy copying of your originals from 24 × 36 mm up to the medium format 6×7. All NOVOFLEX focusing racks have guide-way holes (6) to attach this slide copying device.



Suitable clamping plates for the focusing rack CASTEL-XQ II

- For mounting the camera on your focusing rack CASTEL-XQ II, a variety of replaceable clamping plates of the type Q=PLATE come into question. These are available in different sizes, with different thread screws and with and without anti-twist pins. Details can be found on our website www.novoflex.de or at your photo dealer.



Product description

The focusing rack CASTEL-XQ II being only 25cm (9.84 in) in length offers a camera movement of 37.5cm (14.8 in) thanks to the new and integrated Q=MOUNT XD cross quick-release. For the first time ever a 90°-cross mounting will be possible while utilizing only one quick-release and in combination with the CASTEL-XQ II this is the perfect tool for doing macro and stereo shots alike.

Macro lenses with tripod collar and cameras with mounted battery grips can now be turned from landscape to portrait orientation without having to buy additional spacer plates, etc. The cross quick-release Q=MOUNT XD (12) can be mounted either on the sliding block (4, following both figures) or on the dovetail guide (2, figure below). For mounting or dismounting use the locking screw (10) of the quick-release.



Longitudinal mounting:
Camera in landscape mode



Longitudinal mounting:
Camera in portrait mode



Transverse mounting: made possible by the cross quick-release Q = MOUNT XD (12)

Due to the design with the lower sliding block (4) and the upper, movable cross quick-release Q=MOUNT XD (12), a nearly double adjustment path is achieved with an overall length of only 25cm.

Mounting the focusing rack to a tripod

- To mount the focusing rack on a tripod or tripod head, three 1/4 "and 3/8" threaded holes (9) are located in the guide rail (2). The bottom of the sliding block (4) is also provided with a 1/4 "and 3/8" tripod mount (14). In addition, the guide rail (2) and the sliding block are equipped with a dovetail guide (7) for direct mounting on a NOVOFLEX quick-release of the Q=System (ARCA / UniQ / C compatible). The safety pin of a NOVOFLEX quick-release engages into the milling cutout and prevents unintentional slipping out of the rack if the corresponding clamping screw was accidentally not fully tightened. Your cross quick-release Q=MOUNT XD (12) is equipped with three of these safety pins.



Mounting the camera

- To mount the camera you need a clamping plate from the Q=PLATE series (not included). Depending on the application, these plates are available in different sizes and shapes, different threaded screws, with or without anti-twist pins. As a universal clamping plate for macro- and stereo photography, we recommend the NOVOFLEX QPL2 (see illustration on page 2).
- Mount the clamping plate underneath the camera or tripod collar using the camera screw provided for this purpose.
- Open the blue locking knob (1) of the cross quick-release (12) and slide the clamping plate into the clamp in the desired direction (longitudinal or transverse). Then tighten the blue locking knob (1) again and check the secure hold of the mounted device on the focusing rack.
- To release the mounted device, proceed in reverse order.

Operation

- The operating knob (5) moves the sliding block (4) smoothly and precisely forwards and backwards. The clamping screw (8) locks the sliding block (4) in the desired position.
- Fast position adjustments are made by moving the cross quick-release Q=MOUNT XD (12) by hand. To do this, loosen or tighten the clamping screw (10). Fine adjustments are then made with the operating knob (5) of the sliding block (4). By combining both types, you can achieve a much longer adjustment path than with conventional focusing racks.
- Your CASTEL-XQ II has on the top and bottom a scale (3), which also serves as a setting aid in the stereo photography. The spirit level (11) indicates the horizontal orientation of the focusing rack.

Safety instructions

- Before taking any photographs, make sure that the clamping screw (10) and the locking knob (1) are tightened to prevent accidental slipping out of the clamping plate or cross quick-release including the mounted device.
- The clamping screw (8) is used only for clamping the sliding block. It is not suitable for setting a friction (braking). If the operating knob (5) is moved in the clamped state, this can damage the cograil!
- Do not try to drive beyond the end stop with the sliding block (4). This can also lead to damage to the cograil!

Maintenance

- The focusing rack is maintenance-free, no special care is required. Please do not use grease for lubrication. It is recommended to keep the rack clean from sand and dirt.

Technical data CASTEL-XQ II

Dimension	250 x 110 x 50 mm (9.8 x 4.3 x 2.0")
Weight	670 g (1.5 lb.)
Travel	375 mm (14.8")
Tripod connection	3 x 1/4", 3 x 3/8" and NOVOFLEX Q-profile
Camera connection	Q-profile (ARCA-UniQ/C-compatible)

Recommended accessories

- The NOVOFLEX **CAST-FINE** adjustment handle is available as an accessory to your focusing rack CASTEL-XQ II. It is the perfect solution if e.g. in focus stacking even finer settings are desirable. The attachment is simply pushed onto the operating knob (5) and can be adjusted with a small hex screw if required.

