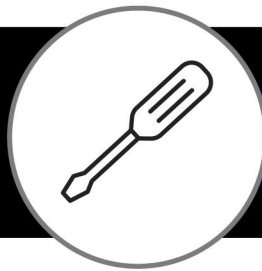


Assembly Guide

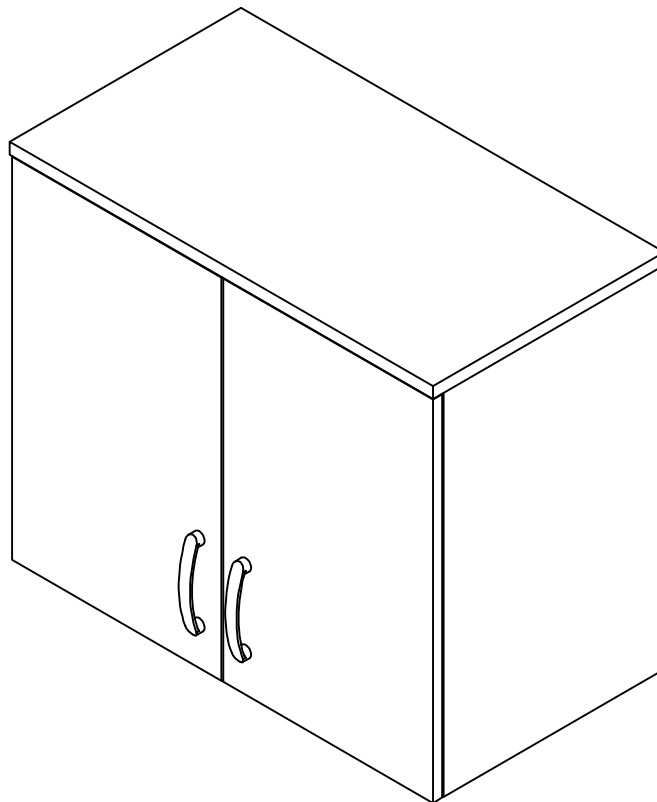


If you're having any difficulty during assembly of this product, don't hesitate to call us at **1-800-950-4782.**

Our customer service experts are trained to provide step-by-step instruction and can easily replace any missing or damaged parts.

Representatives are available Monday-Friday from 8:30 a.m. to 7:30 p.m. (ET)

28W Wall Cabinet



Lot Code #

Instruction Sheet Number A194160C

Keep manual for future reference.

For best results, keep these tips in mind:

- ① We know you want to finish this assembly as quickly as possible, but trust us: you'll have a better experience if you take it one step at a time.
- ② Give yourself some room to work near where you want the fully assembled product.
- ③ If your floor isn't carpeted, assemble this product on the empty carton to avoid scratching.
- ④ Do you have a friend who owes you a favor? Some steps may go a little easier with a second set of hands.

DOs

- ✔ Use a #2 Phillips head screwdriver (or other handheld tools as indicated)
- ✔ Wear safety glasses at all times during assembly
- ✔ Carefully follow the instructions in this guide and complete all steps in order
- ✔ Give us a call if you're having trouble with a particularly tricky step

DON'Ts

- ✘ We know power tools are quick and easy, but you shouldn't use them when assembling this product (unless otherwise specified)
- ✘ Never move your furniture with items inside or resting on the surface
- ✘ Do not attempt to use this product before all steps have been completed



Watch assembly videos right on your phone or computer!



Some steps include QR codes that link to helpful videos. Watch out for the icon below! Simply open up your smartphone camera to scan the code.

(Users of older smartphones may need to install a QR Reader.)

SCAN HERE



FOR VIDEOS

Or visit <https://www.bushbusinessfurniture.com/CustomerService/HowtoAssemble.aspx>

IMPORTANT SAFETY INFORMATION



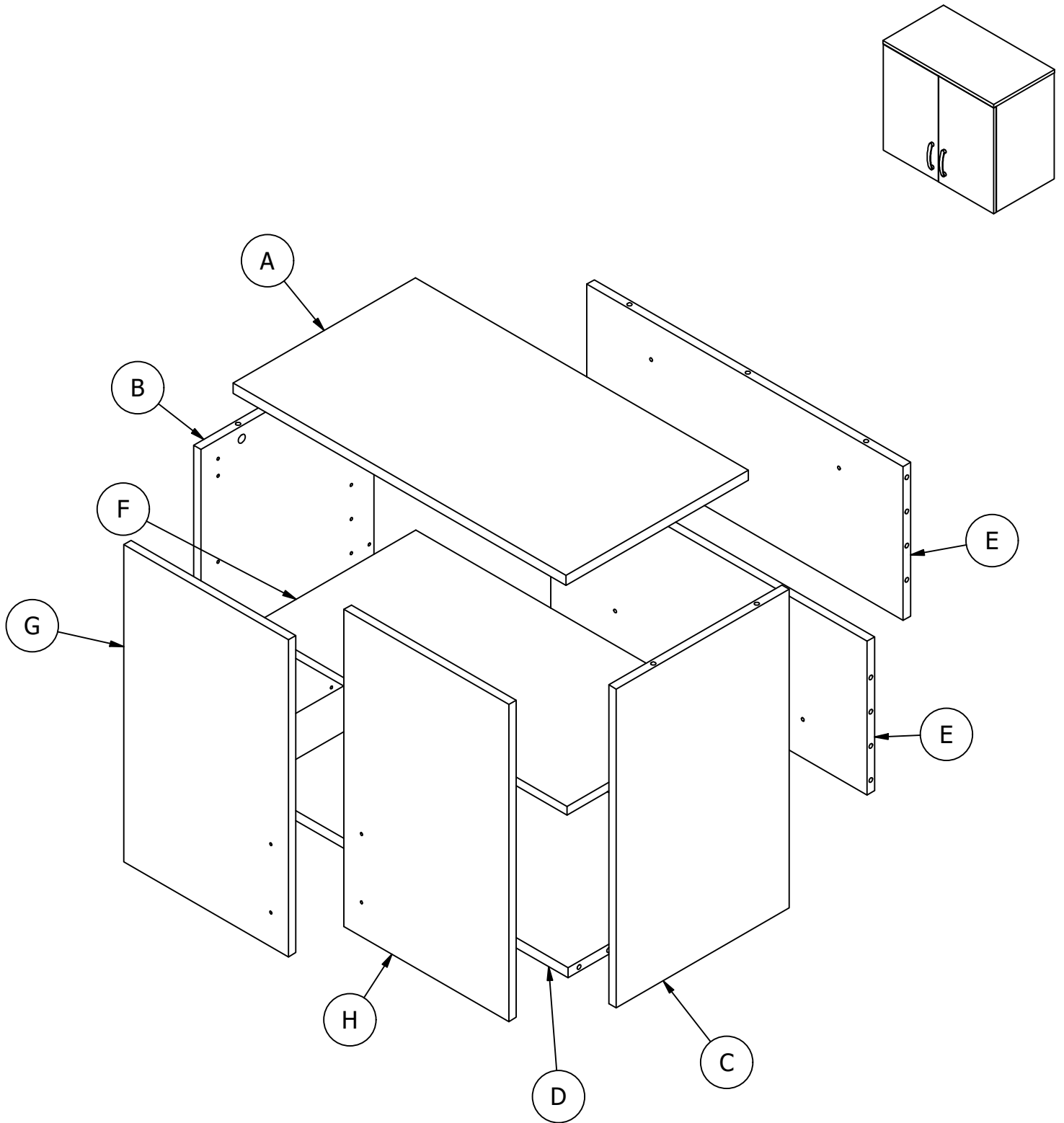
PLEASE READ WARNINGS

Improper use can cause safety hazards, or damage to your furniture and household items.

Warning	Do	Don't	Why it's important
DEATH or SERIOUS INJURY can occur	<ul style="list-style-type: none">Hutch MUST be securely attached to wall structure.ONLY attach directly to wood- or metal studs or masonry wall structure.	<ul style="list-style-type: none">NEVER attach hutch directly to drywall/sheetrock/ gypsum panel.NEVER use hollow wall anchors.Check that screws are tight and fully screwed into wall.Screws must not be loose or turn freely when the hutch is fully installed.	Failure to follow these steps may result in product falling of the wall and product collapse resulting in crushing injury.

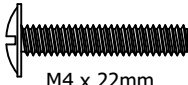
Advertencia	Hacer	No	Por qué es importante
Puede ocurrir la MUERTE o LESIONES GRAVES	<ul style="list-style-type: none">La conejera DEBE estar firmemente sujeta a la estructura de la pared.ÚNICAMENTE sujete directamente a postes de madera o metal o estructura de pared de mampostería.	<ul style="list-style-type: none">NUNCA conecte la conejera directamente al panel de yeso / placa de yeso / panel de yeso.NUNCA use anclajes de pared huecos.Verifique que los tornillos estén apretados y completamente atornillados a la pared.Los tornillos no deben aflojarse ni girar libremente cuando la cabina está completamente instalada.	No seguir estos pasos puede resultar en la caída del producto de la pared y el colapso del producto resultando en una lesión por aplastamiento.


Attention	Faire	Ne le fais pas	Pourquoi c'est important
LA MORT ou DES BLESSURES GRAVES peuvent survenir	<ul style="list-style-type: none">Le clapier DOIT être solidement fixé à la structure du mur.Fixez UNIQUEMENT directement aux montants en bois ou en métal ou à la structure murale en maçonnerie.	<ul style="list-style-type: none">NE JAMAIS attacher la clapier directement aux cloisons sèches / plaques de plâtre / panneaux de gypse.N'utilisez JAMAIS d'ancrages muraux creux.Vérifiez que les vis sont bien serrées et entièrement vissées dans le mur.Les vis ne doivent pas être desserrées ou tourner librement lorsque le clapier est complètement installé.	Le non-respect de ces étapes peut entraîner la chute du produit du mur et l'effondrement du produit entraînant des blessures par écrasement.

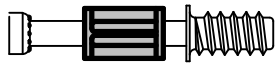


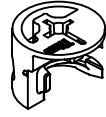
Have an assembly question or need a replacement part? Just call
1-800-950-4782, we are here to help.

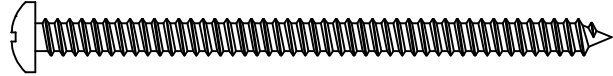
Fasteners are shown actual size.

H83027
(Silver)  [4]
M4 x 22mm

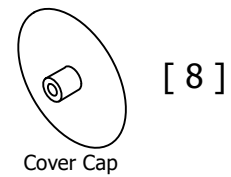
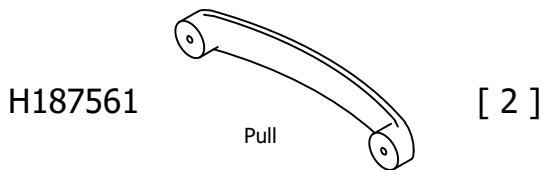
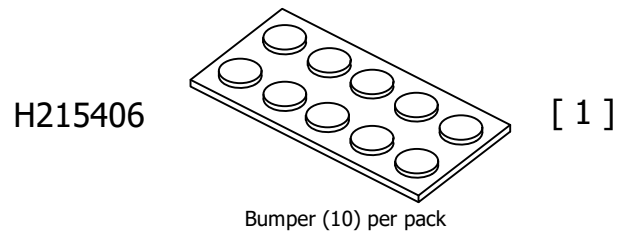
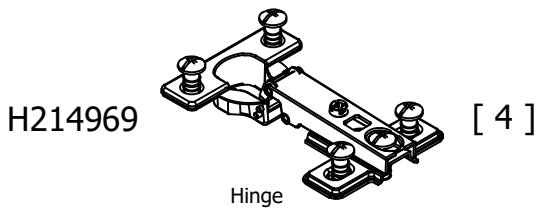
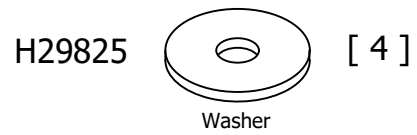
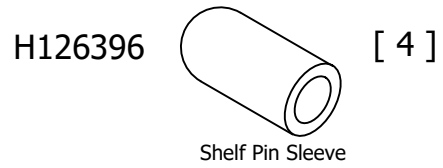
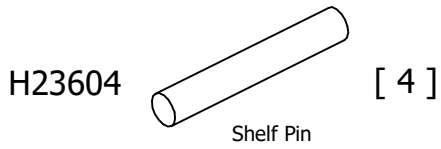
H38169  [14]
Wood Dowel 8 x 30

H72988  [18]
KD Bolt

H181468US  [18]
KD Cam3000

H193671  [4]
#10 x 2-3/4"

Hardware not to scale.



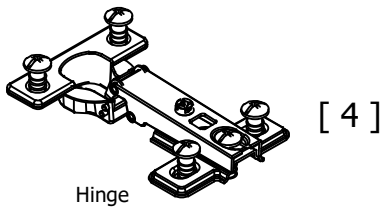
Have an assembly question or need a replacement part? Just call
1-800-950-4782, we are here to help.

STEP 1

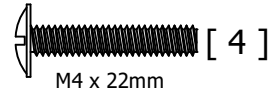
Prepare Doors

A194160C

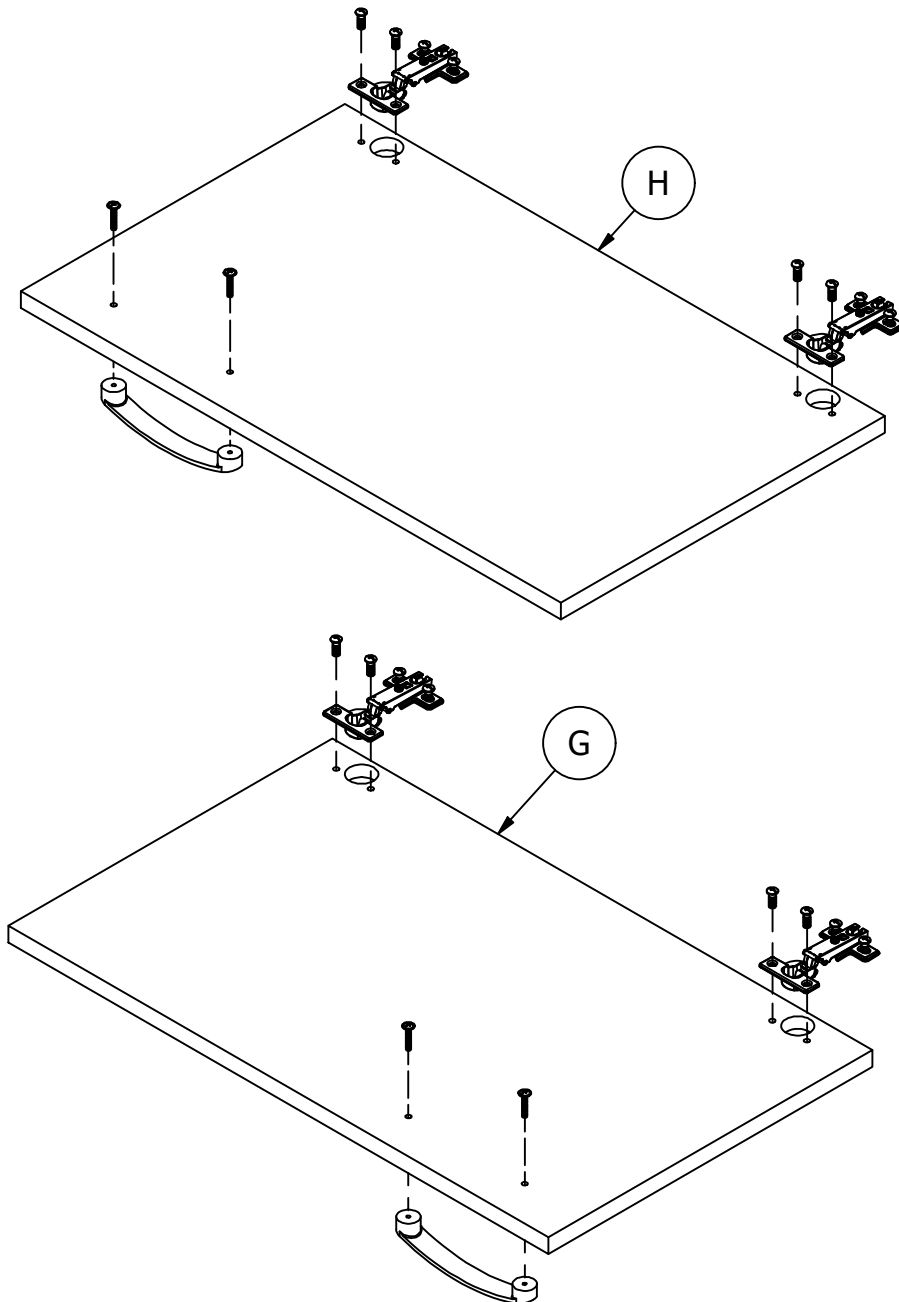
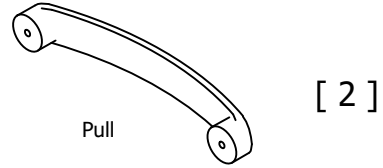
H214969



H83027
(Silver)



H187561




Have an assembly question or need a replacement part? Just call
1-800-950-4782, we are here to help.

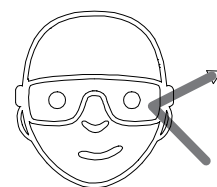
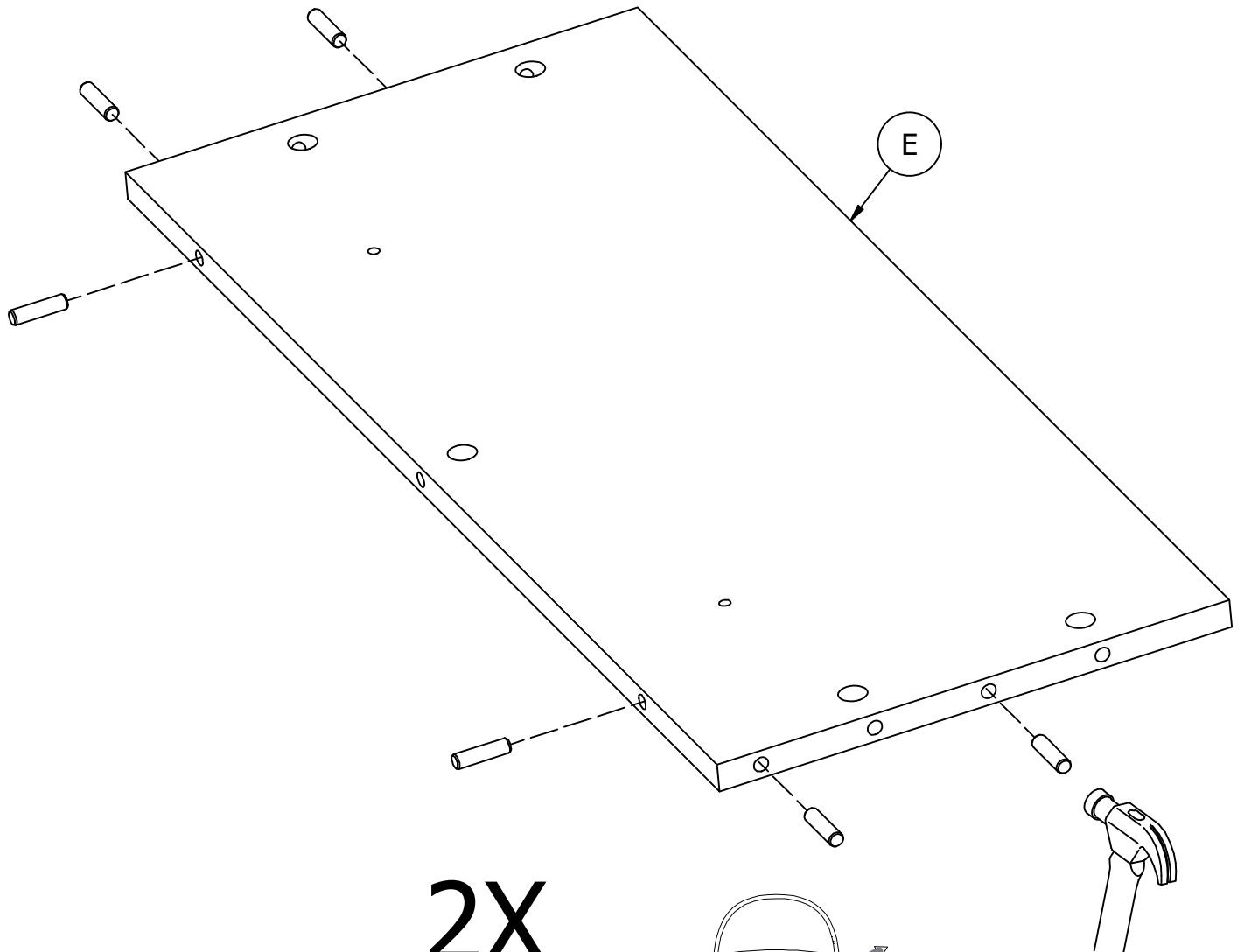
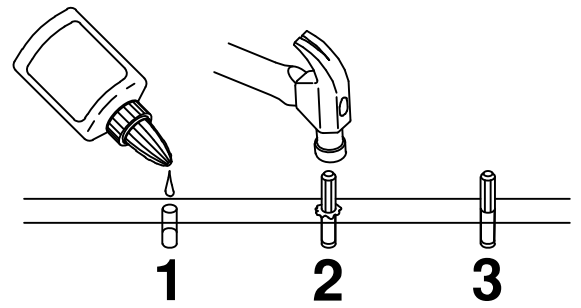
STEP 2

Prepare Panel

A194160C

H38169  [12]
Wood Dowel 8 x 30

H27145  [1]
GLUE




Safety glasses
Gafas de seguridad
Lunettes de protection

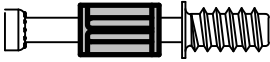
Have an assembly question or need a replacement part? Just call
1-800-950-4782, we are here to help.

STEP 3

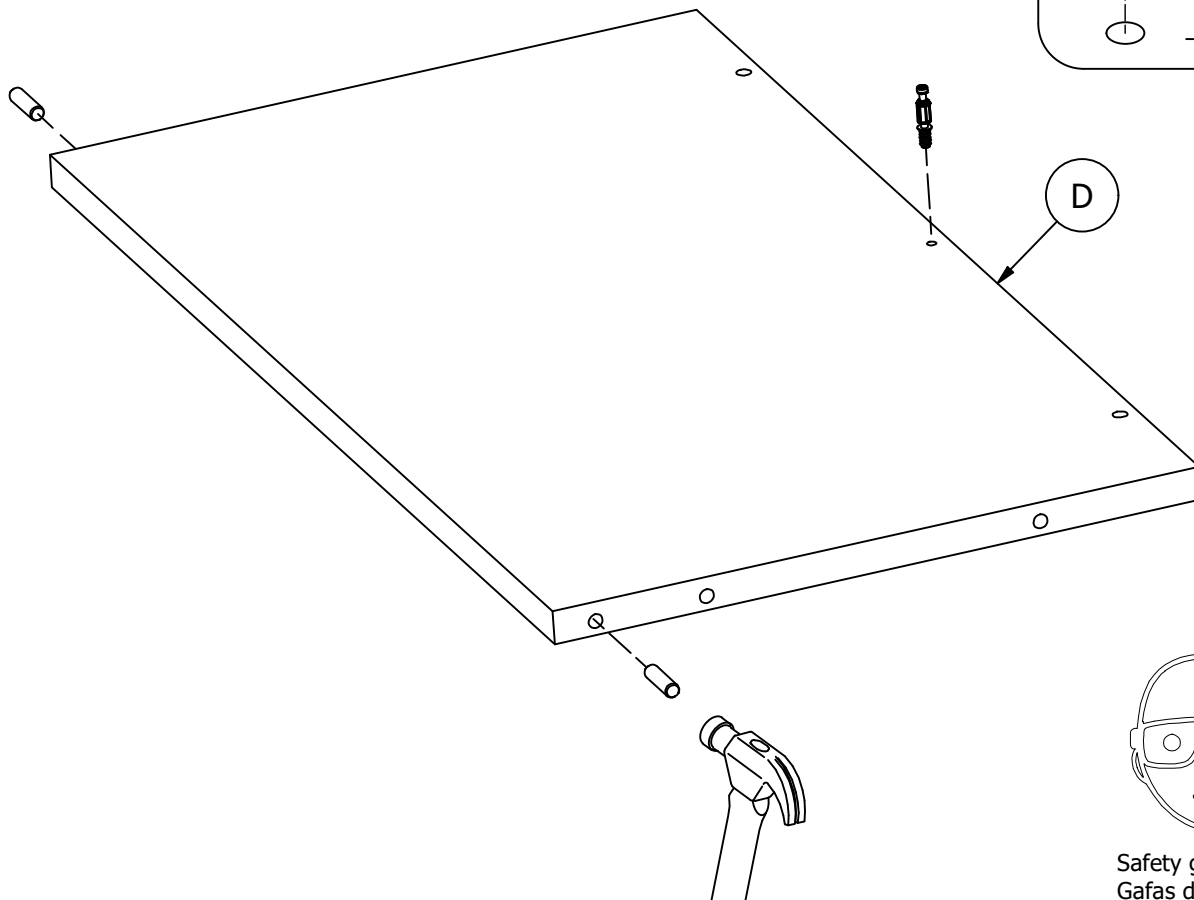
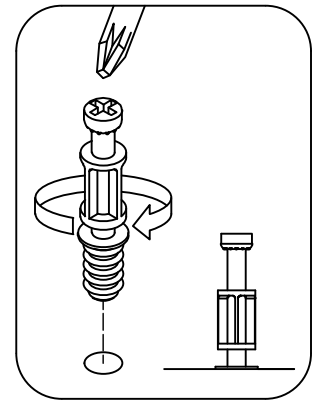
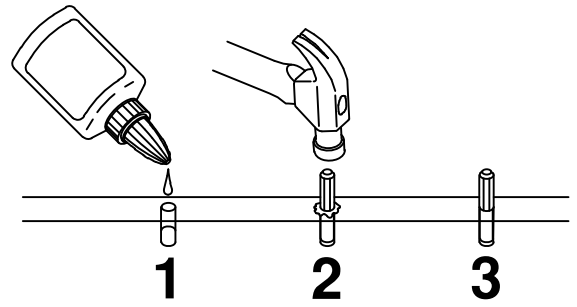
Prepare Panel

A194160C

H38169  [2]
Wood Dowel 8 x 30

H72988  [1]
KD Bolt

H27145  [1]
GLUE




Safety glasses
Gafas de seguridad
Lunettes de protection

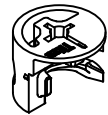
Have an assembly question or need a replacement part? Just call
1-800-950-4782, we are here to help.

Scan QR Code to Watch Video on:



How to Tighten KD Cams

H181468US



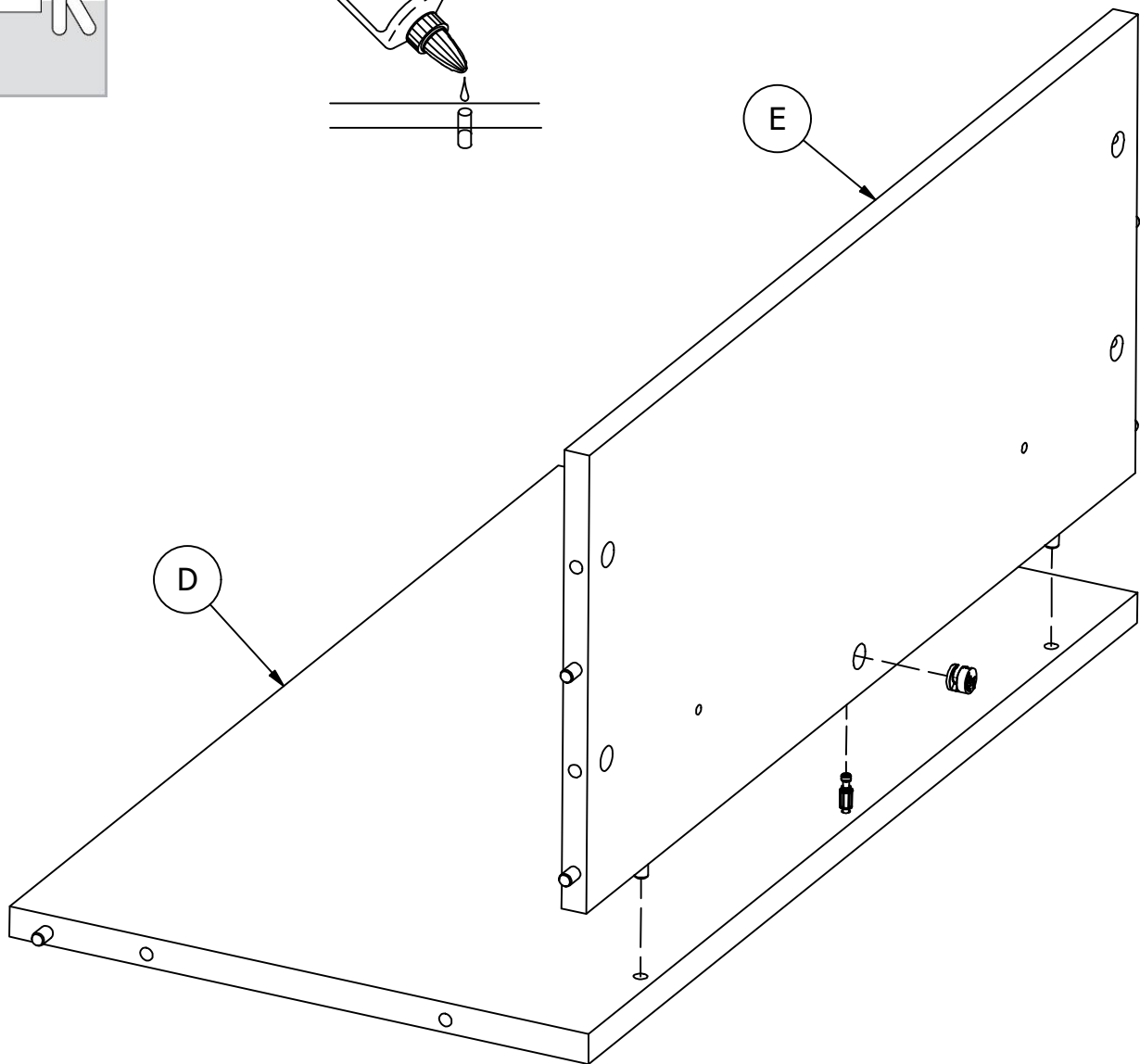
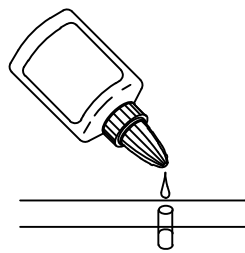
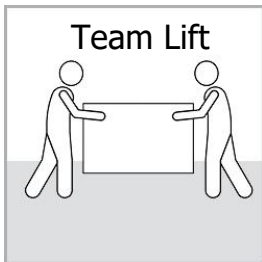
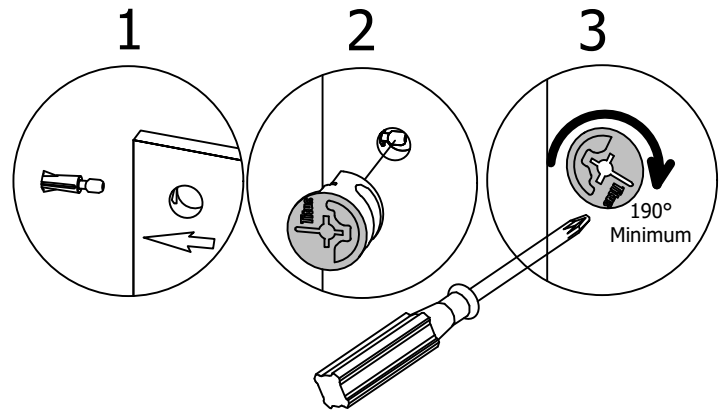
[1]

KD Cam3000

H27145

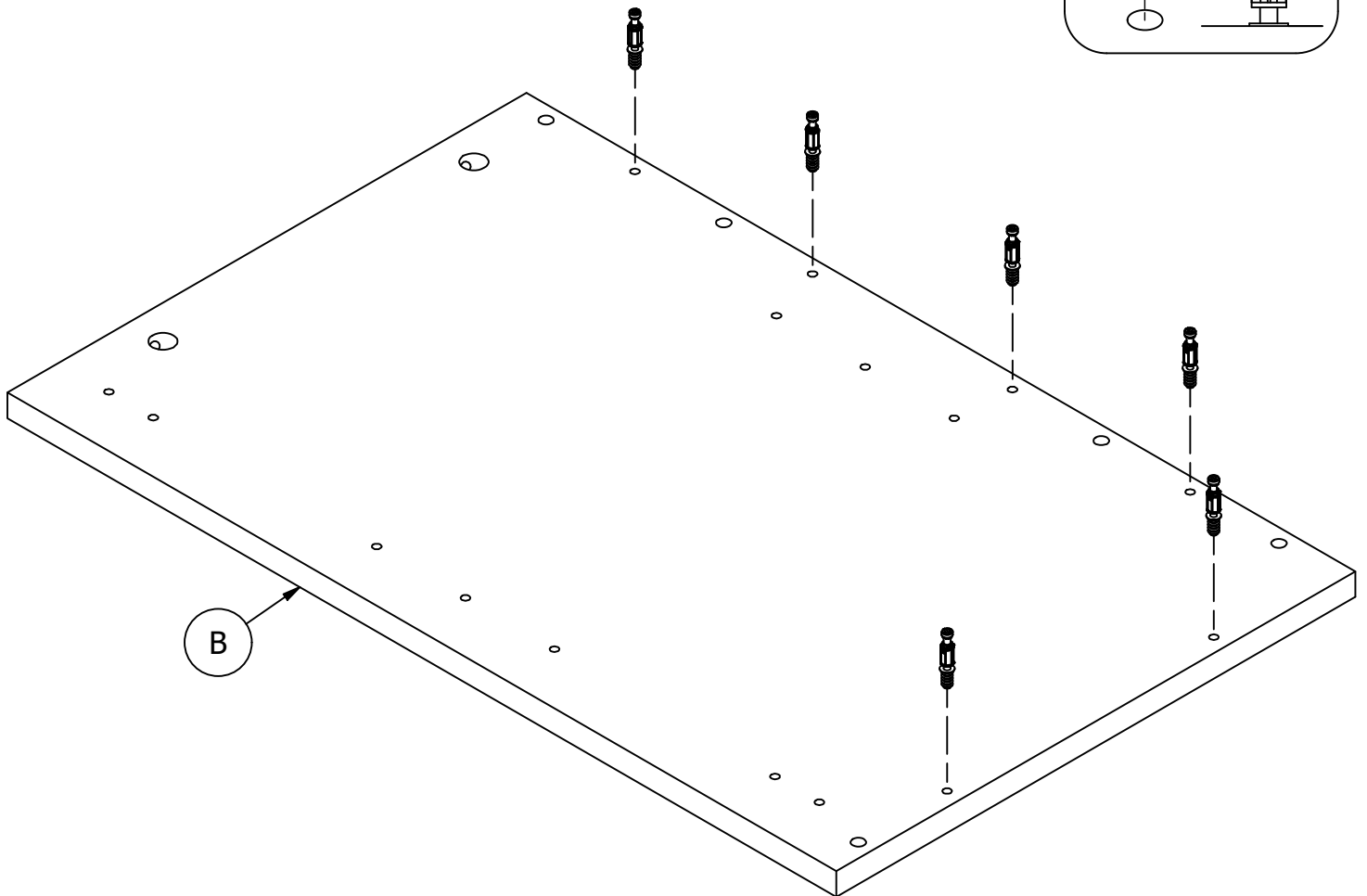
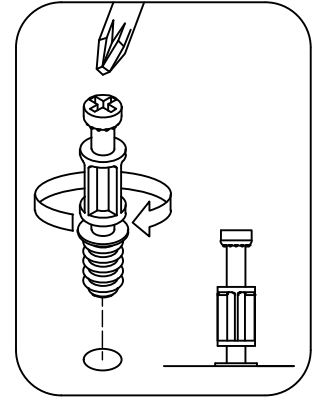


[1]



Have an assembly question or need a replacement part? Just call **1-800-950-4782**, we are here to help.

H72988 [6]
KD Bolt



Have an assembly question or need a replacement part? Just call
1-800-950-4782, we are here to help.

STEP 6

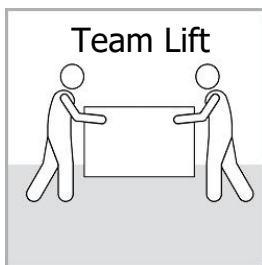
Assemble Panels

A194160C

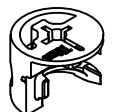
Scan QR Code to Watch Video on:



How to Tighten KD Cams

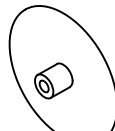


H181468US



KD Cam3000

[4]



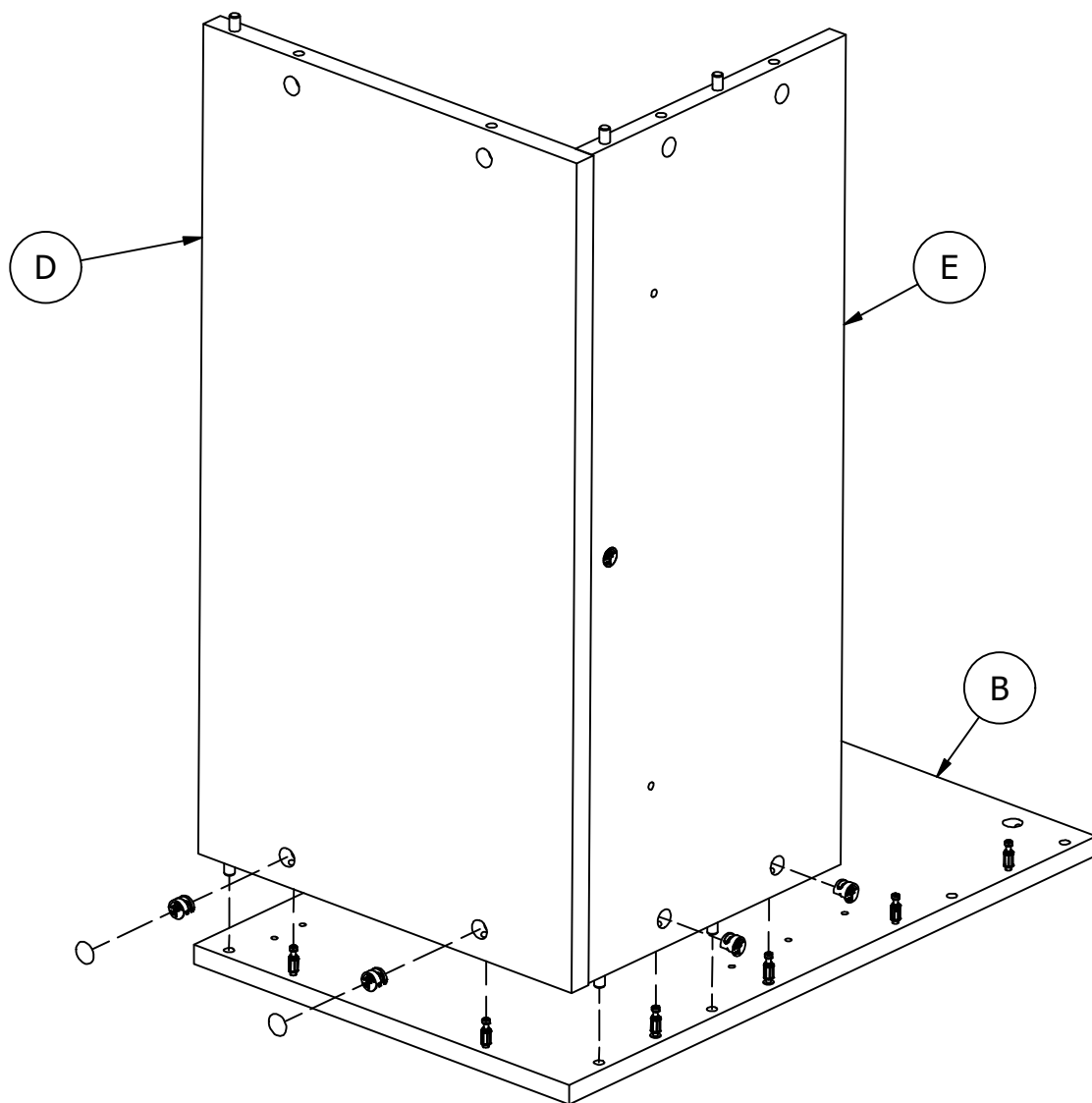
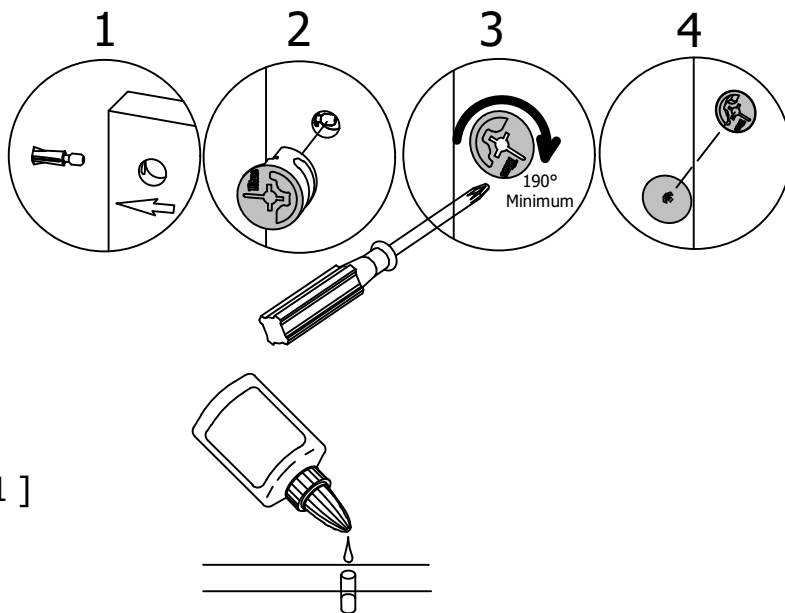
[2]

Cover Cap

H27145



[1]

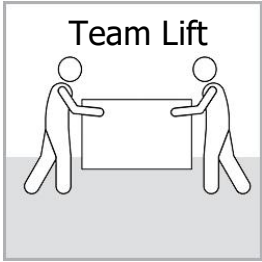


Have an assembly question or need a replacement part? Just call **1-800-950-4782**, we are here to help.

STEP 7

Assemble Panels

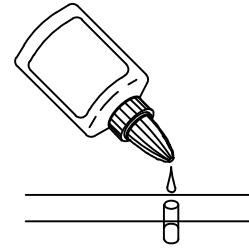
A194160C



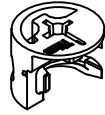
H27145



[1]

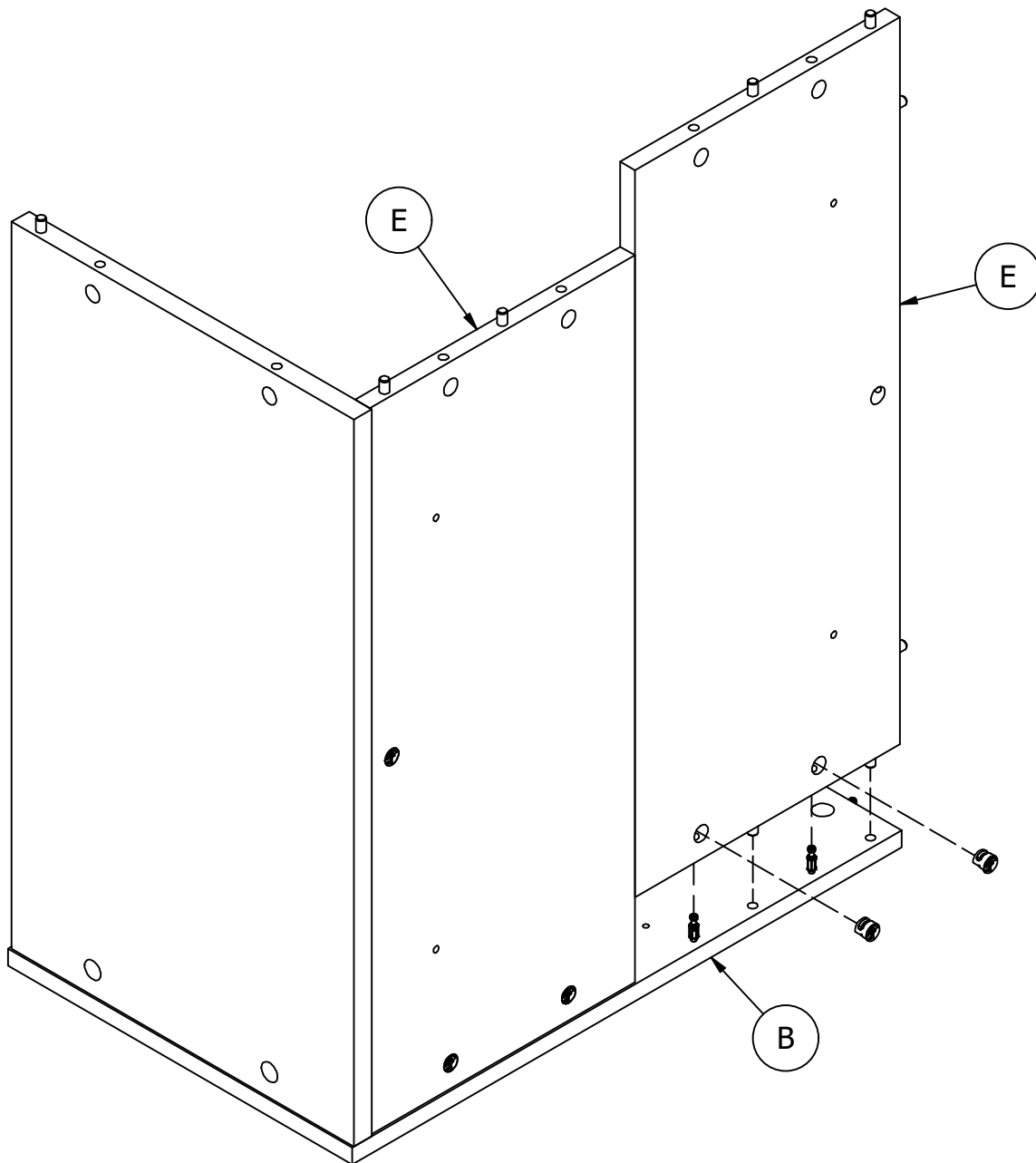


H181468US



[2]

KD Cam3000



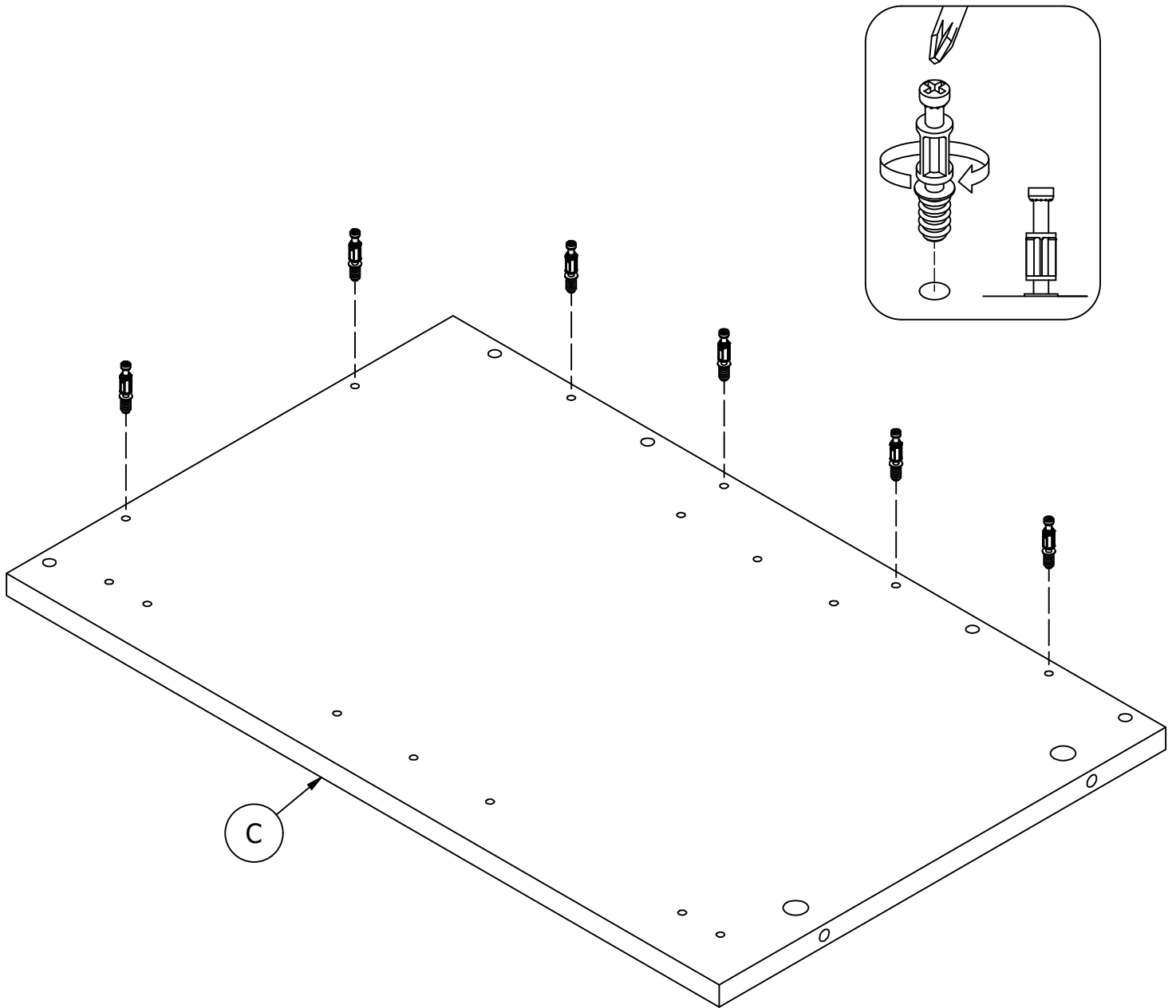
Have an assembly question or need a replacement part? Just call **1-800-950-4782**, we are here to help.

STEP 8

Prepare Panel

A194160C

H72988 [6]
KD Bolt



Have an assembly question or need a replacement part? Just call
1-800-950-4782, we are here to help.

STEP 9

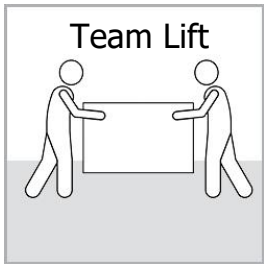
Assemble Panels

A194160C

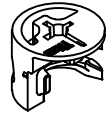
Scan QR Code to Watch Video on:



How to Tighten KD Cams



H181468US



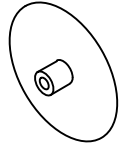
KD Cam3000

[2]

H27145

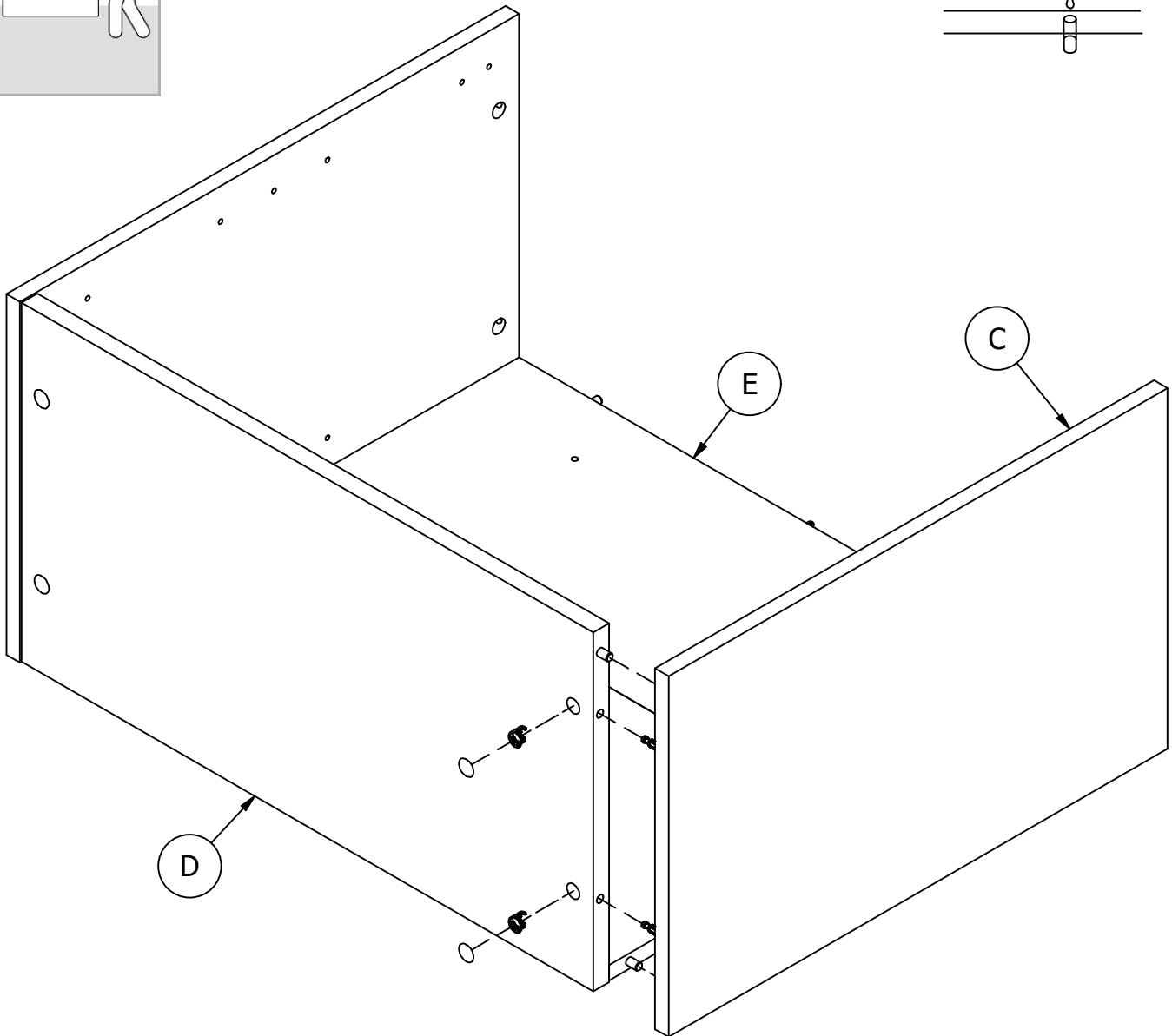
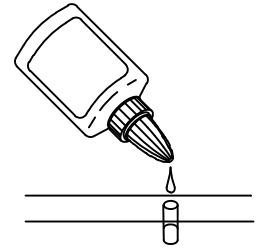
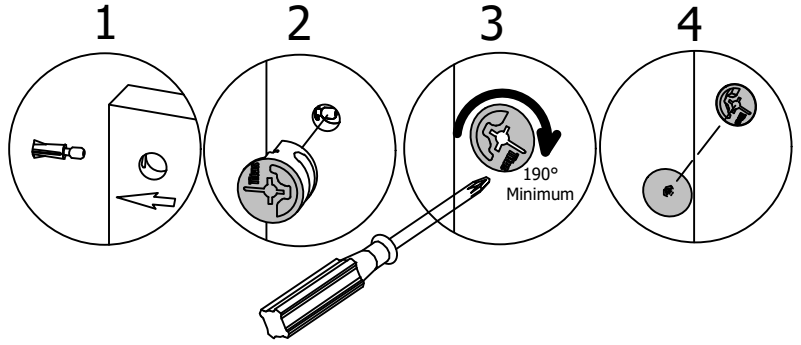


[1]



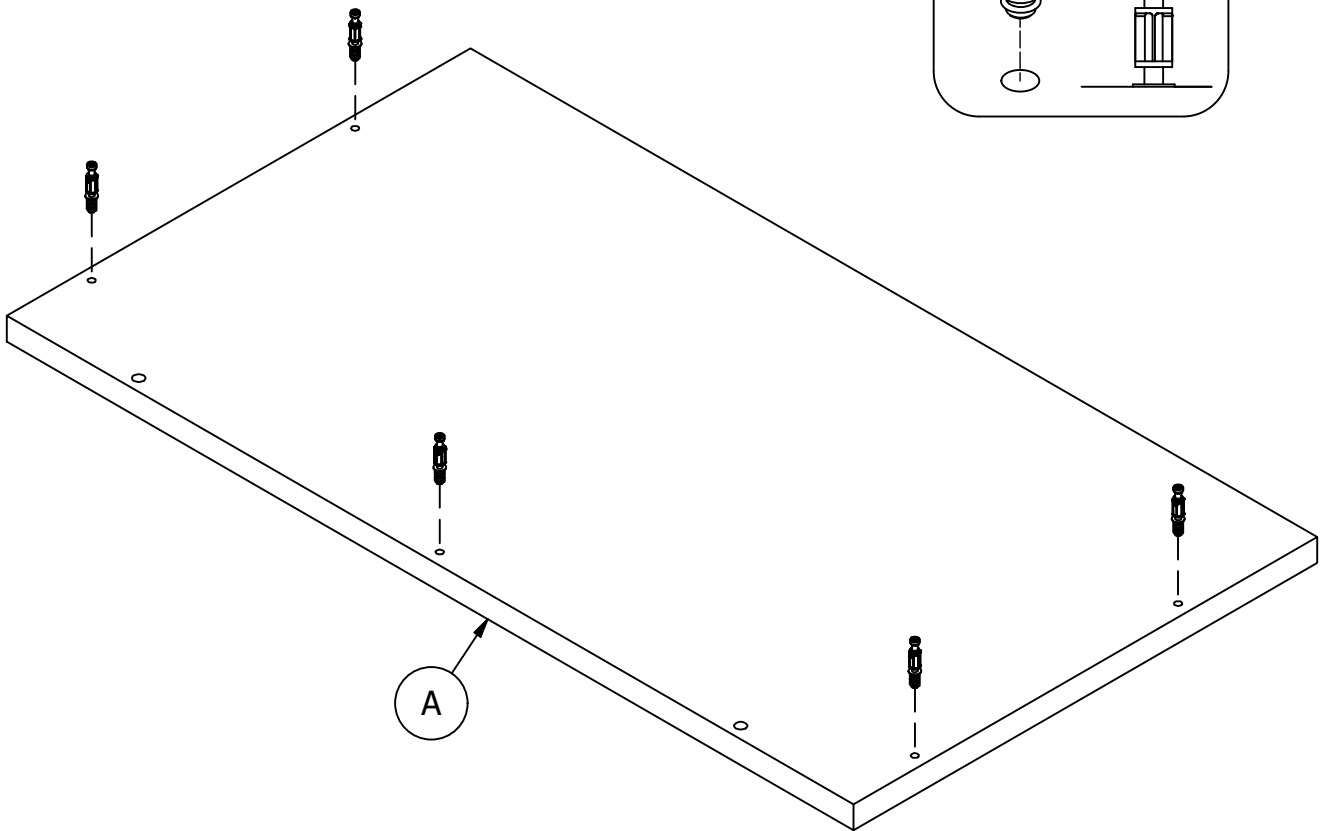
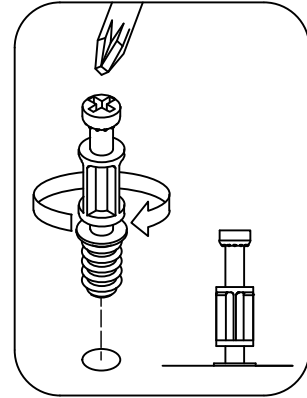
Cover Cap

[2]



Have an assembly question or need a replacement part? Just call **1-800-950-4782**, we are here to help.

H72988 [5]
KD Bolt



Have an assembly question or need a replacement part? Just call
1-800-950-4782, we are here to help.

STEP 11

Assemble Panels

A194160C

Scan QR Code to Watch Video on:



How to Tighten KD Cams

H181468US



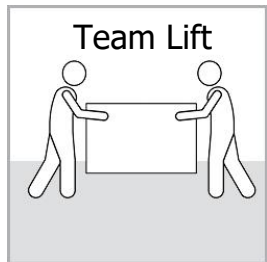
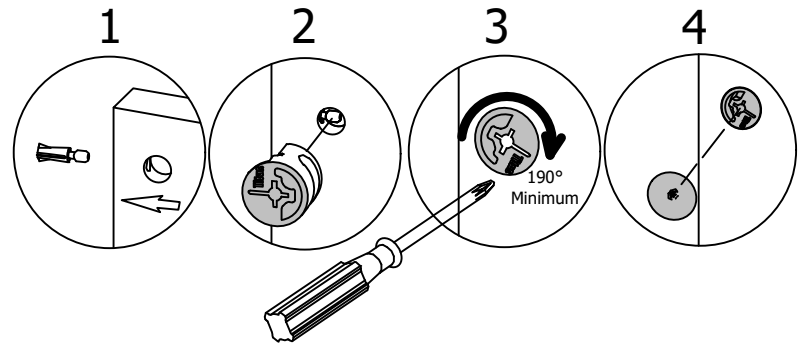
[4]

KD Cam3000

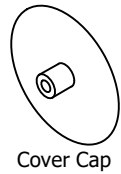
H27145



[1]

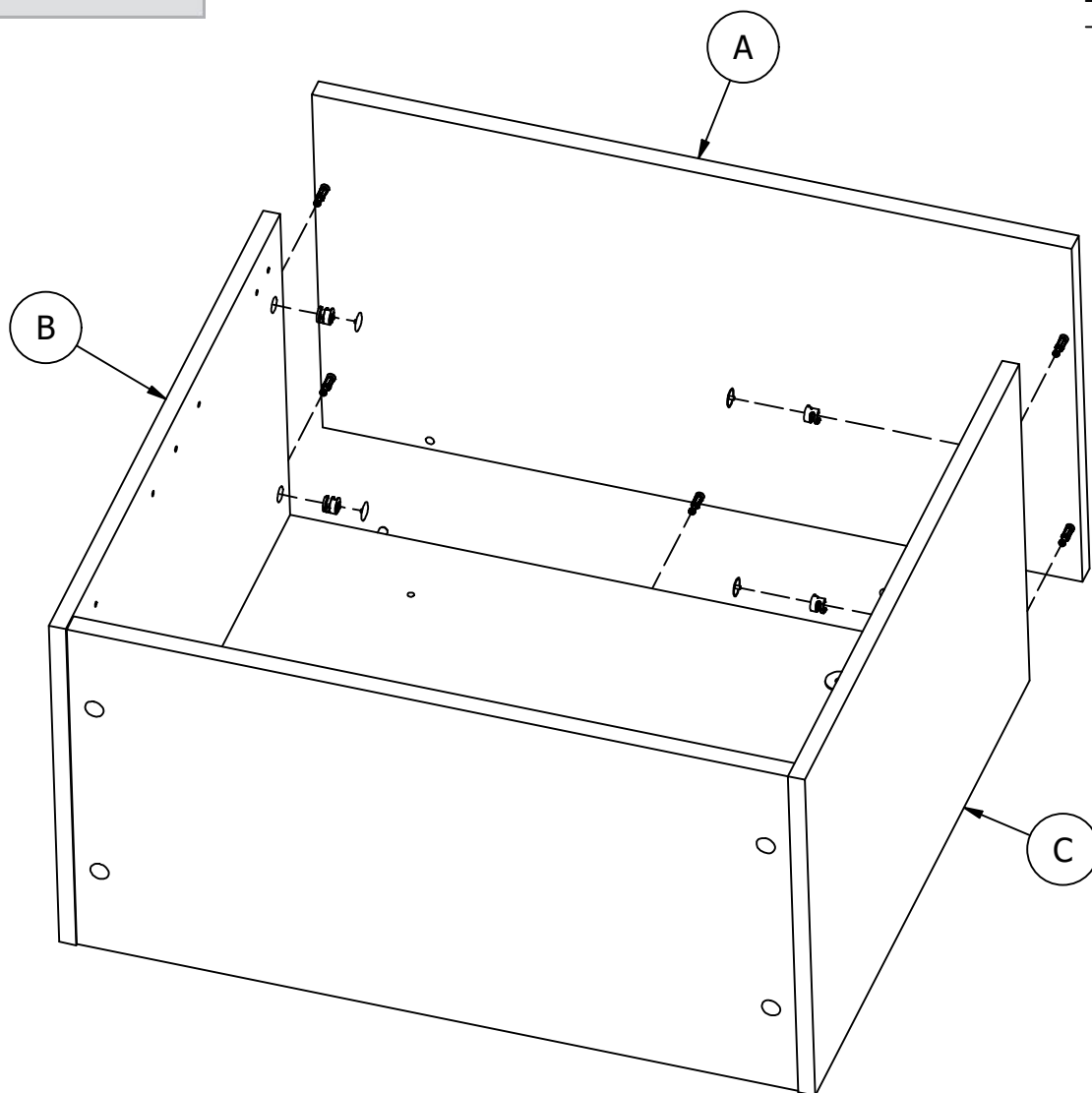
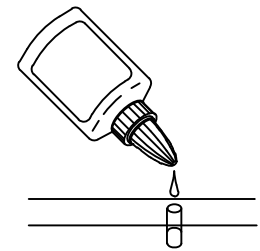


Team Lift



[4]

Cover Cap

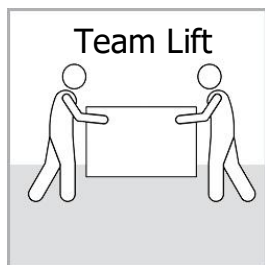


Have an assembly question or need a replacement part? Just call **1-800-950-4782**, we are here to help.

Scan QR Code to Watch Video on:



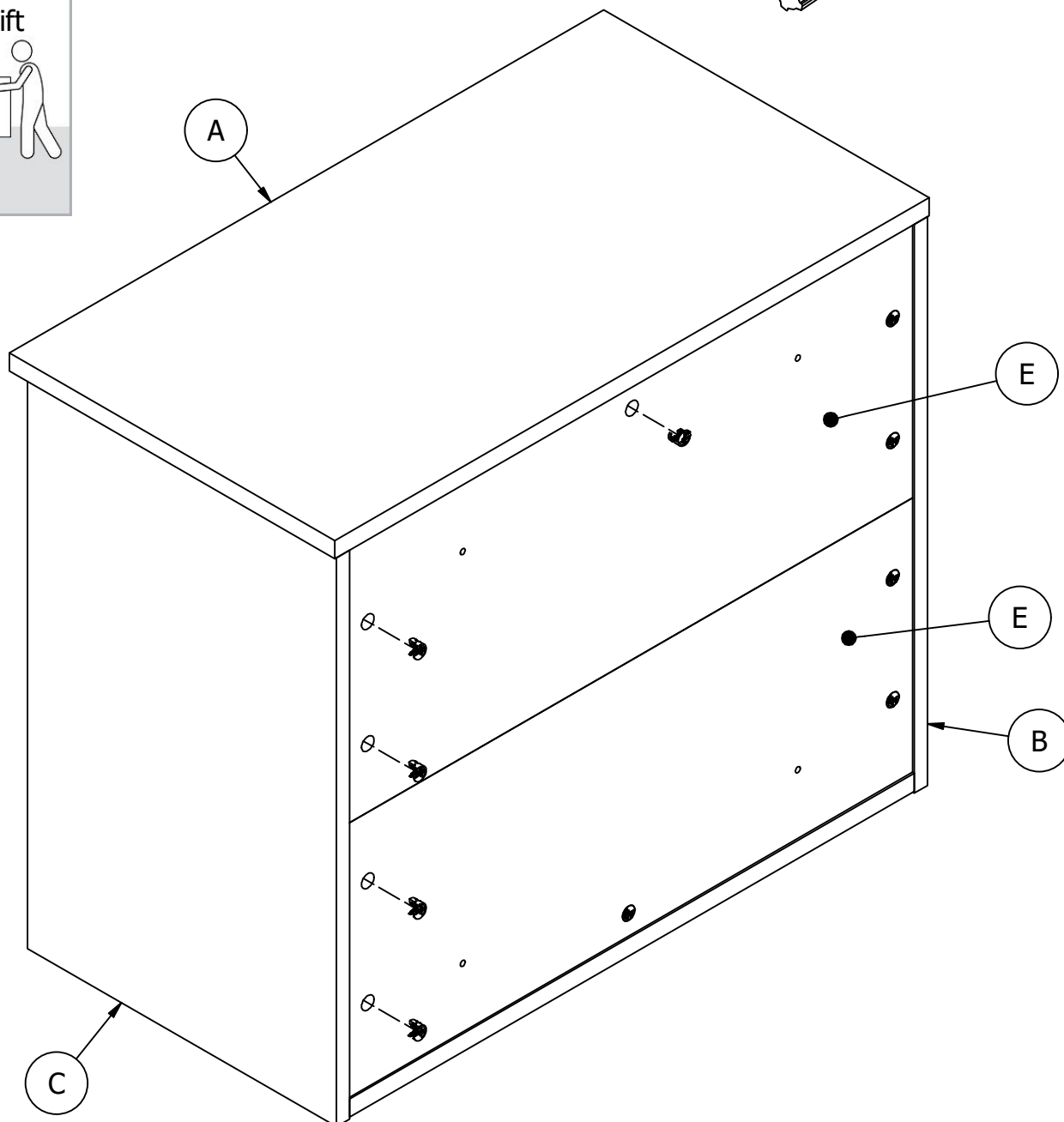
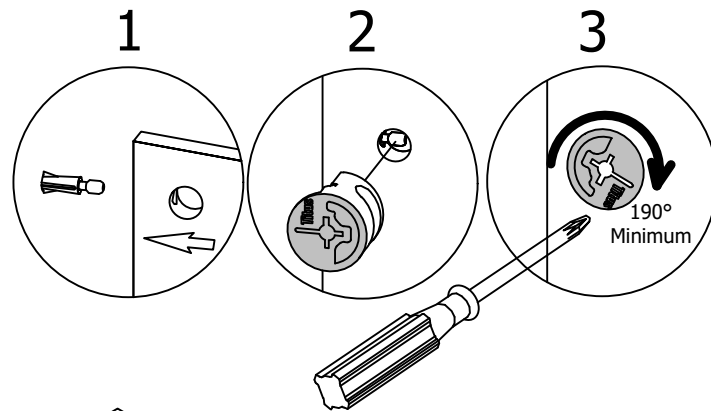
How to Tighten KD Cams



H181468US



[5]



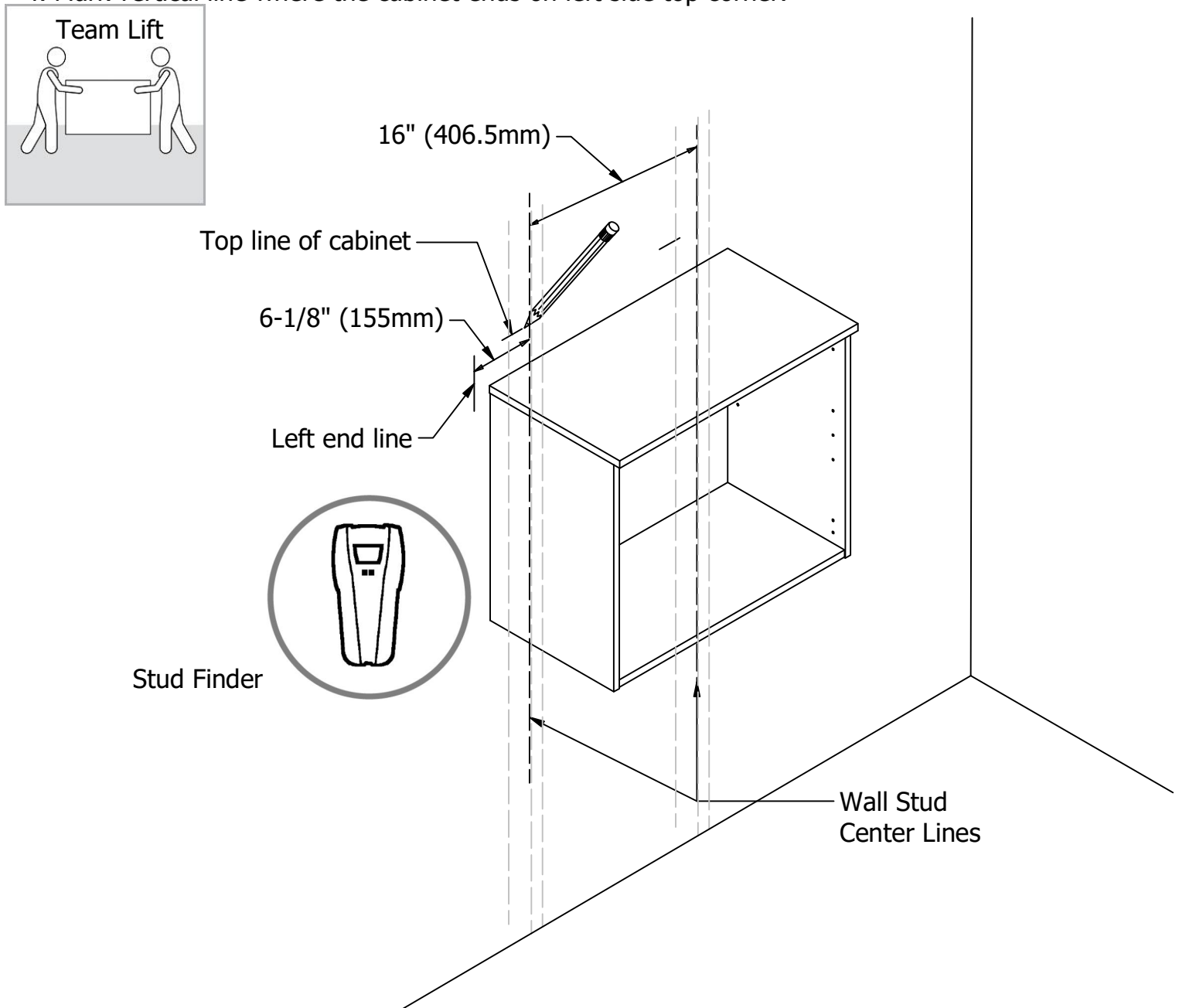
Have an assembly question or need a replacement part? Just call **1-800-950-4782**, we are here to help.

Secure unit to wall. Must be attached to 2 wall studs.

Cabinet is predrilled to attach to 2 wall studs 16" (406.5mm) apart. If this attachment method is not possible, please consult a professional installer.

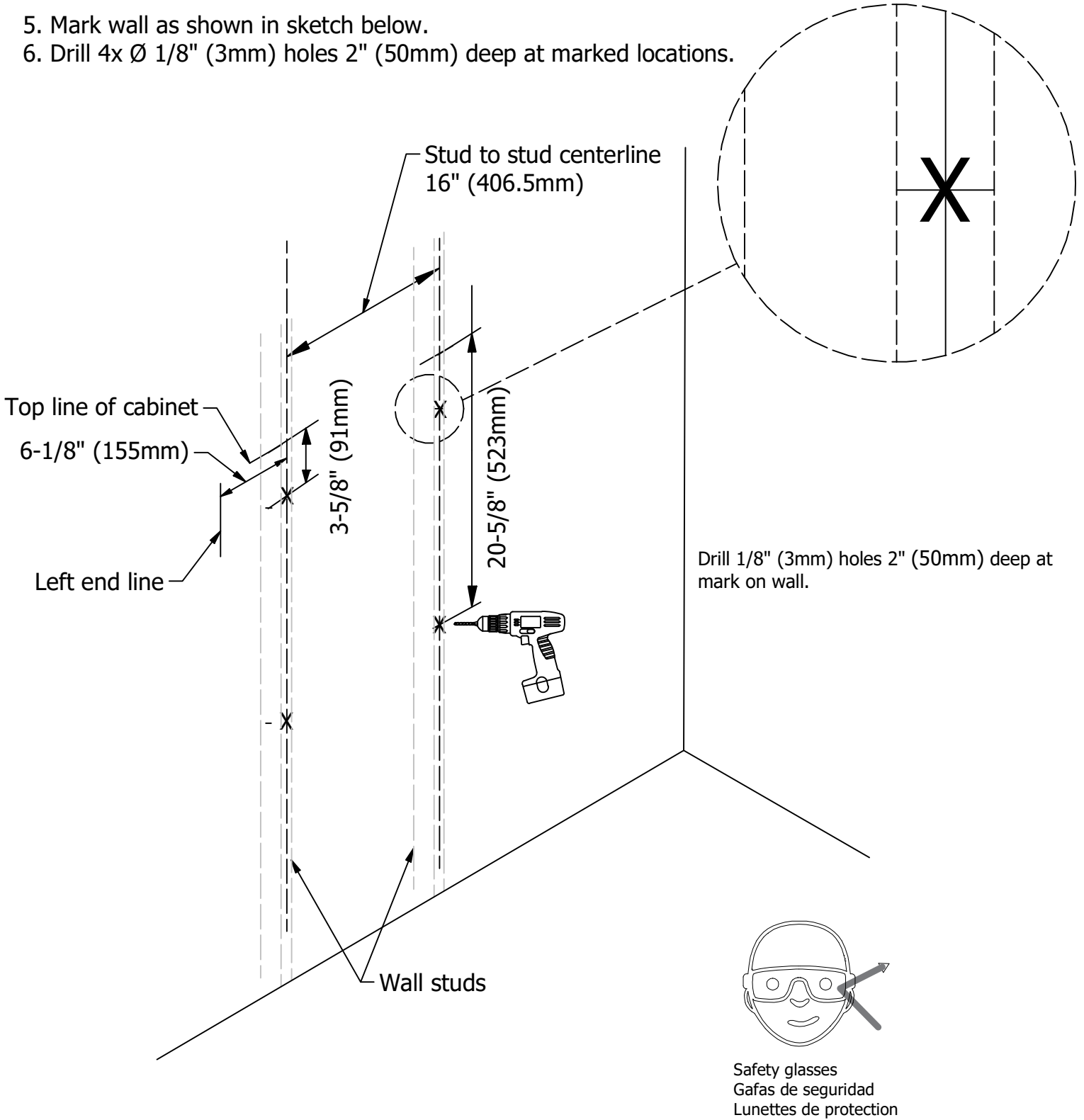
Procedure:

1. Place unit in desired location.
2. Locate 2 wall studs 16" (406.5mm) apart nearest the center of cabinet.
3. Mark level line on wall where top shelf will be located.
4. Mark vertical line where the cabinet ends on left side top corner.



Have an assembly question or need a replacement part? Just call
1-800-950-4782, we are here to help.

- 5. Mark wall as shown in sketch below.
- 6. Drill 4x Ø 1/8" (3mm) holes 2" (50mm) deep at marked locations.



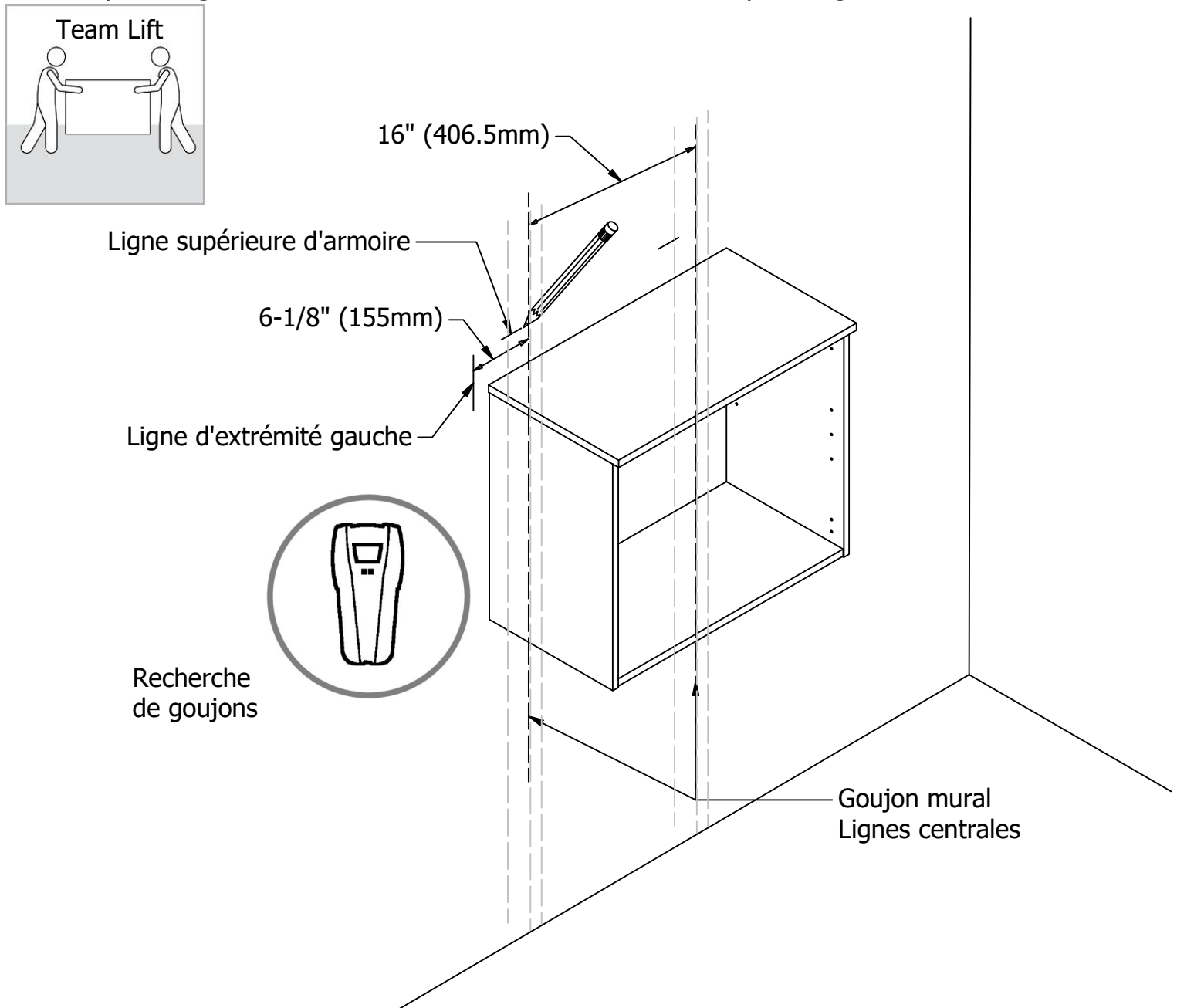
Have an assembly question or need a replacement part? Just call **1-800-950-4782**, we are here to help.

Fixez l'unité au mur. Doit être fixé à 2 poteaux muraux.

L'armoire est prépercée pour être fixée à 2 poteaux muraux séparés de 16 "(406,5 mm). Si cette méthode de fixation n'est pas possible, veuillez consulter un installateur professionnel.

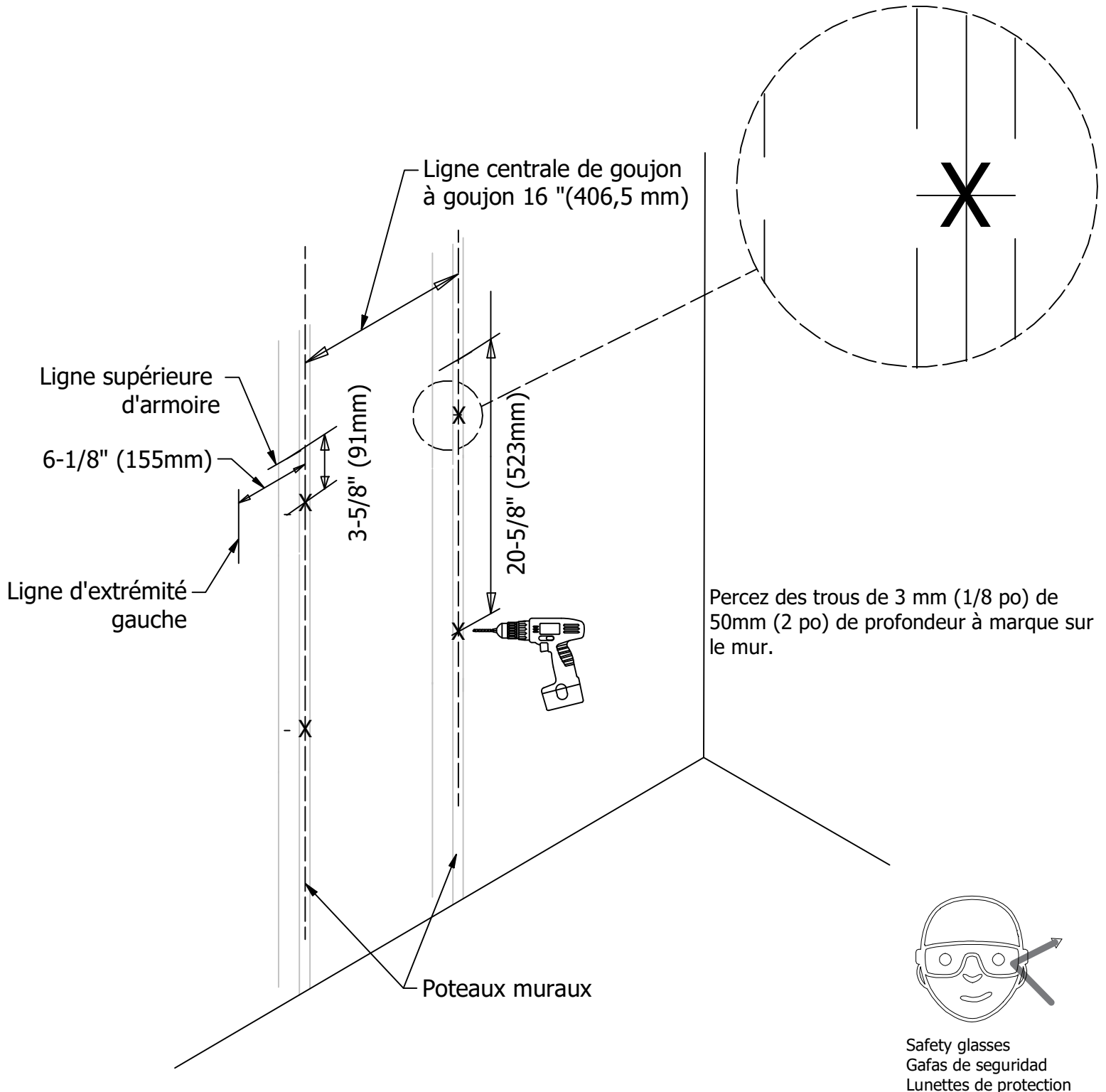
Procédure:

1. Placez l'unité à l'emplacement souhaité.
2. Localisez 2 montants muraux distants de 16 "(406,5 mm) les plus proches du centre de l'armoire.
3. Marquez la ligne de niveau sur le mur où l'étagère supérieure sera située.
4. Marquez la ligne verticale à la fin de l'armoire dans le coin supérieur gauche.



Have an assembly question or need a replacement part? Just call
1-800-950-4782, we are here to help.

5. Marquez le mur comme illustré ci-dessous.
6. Percez 4x trous Ø 1/8 "(3 mm) de 2" (50mm) de profondeur aux emplacements marqués.



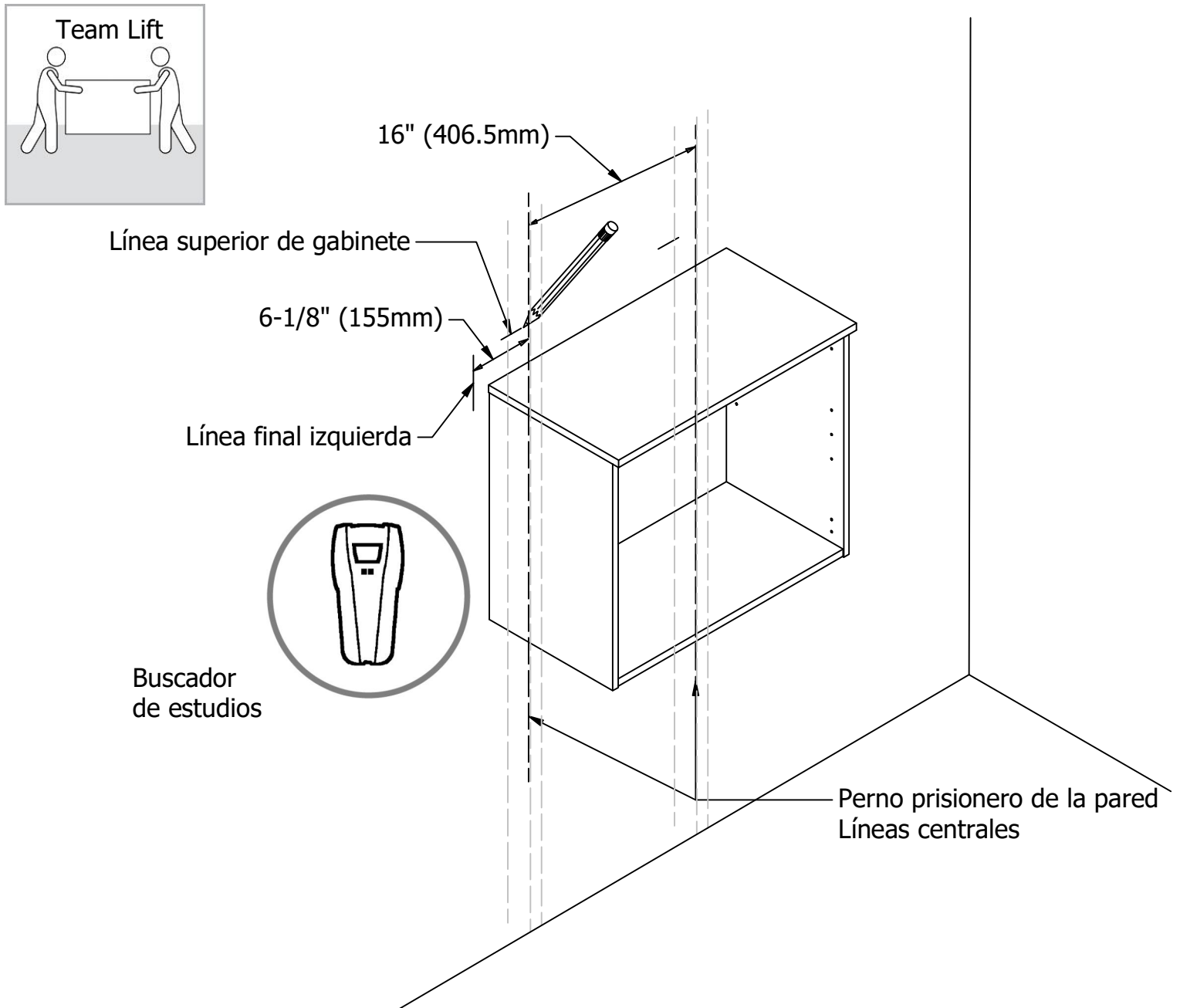
Have an assembly question or need a replacement part? Just call
1-800-950-4782, we are here to help.

Asegure la unidad a la pared. Debe fijarse a 2 montantes de pared.

El gabinete está perforado previamente para fijarlo a 2 montantes de pared separados por 16 " (406,5 mm). Si este método de fijación no es posible, consulte a un instalador profesional.

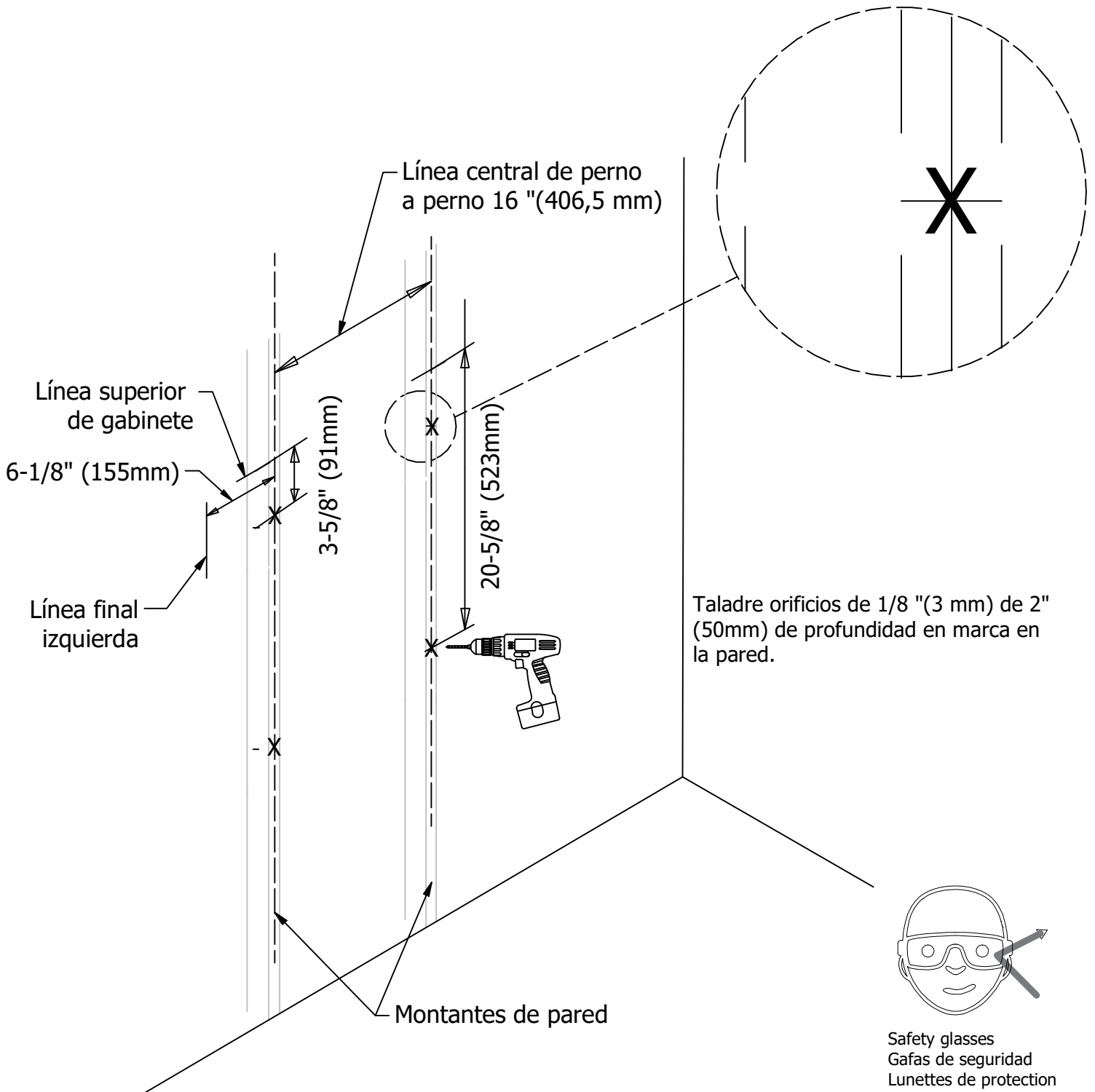
Procedimiento:

1. Coloque la unidad en la ubicación deseada.
2. Ubique 2 montantes de pared a 16 " (406,5 mm) de distancia más cerca del centro del gabinete.
3. Marque la línea de nivel en la pared donde se ubicará el estante superior.
4. Marque la línea vertical donde termina el gabinete en la esquina superior izquierda.

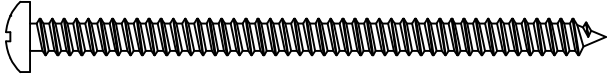


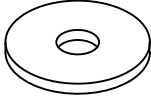
Have an assembly question or need a replacement part? Just call
1-800-950-4782, we are here to help.

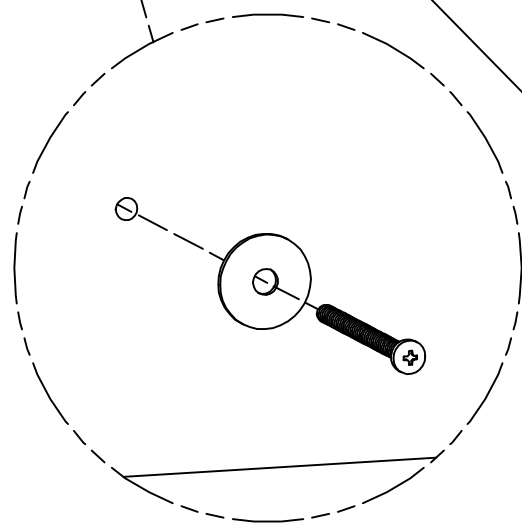
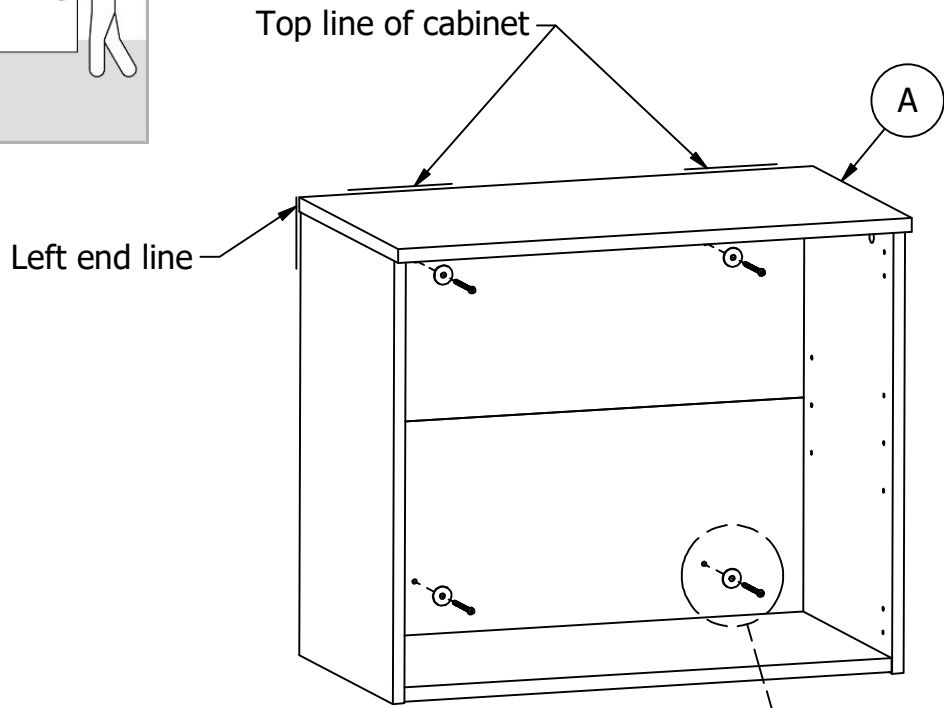
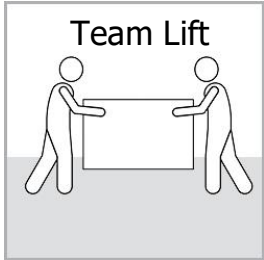
5. Marque la pared como se muestra en el dibujo a continuación.
6. Taladre 4 orificios de $\varnothing 1/8$ " (3 mm) de 2" (50mm) de profundidad en los lugares marcados.



Have an assembly question or need a replacement part? Just call
1-800-950-4782, we are here to help.

H193671  [4]
#10 x 2-3/4"

H29825  [4]
Washer

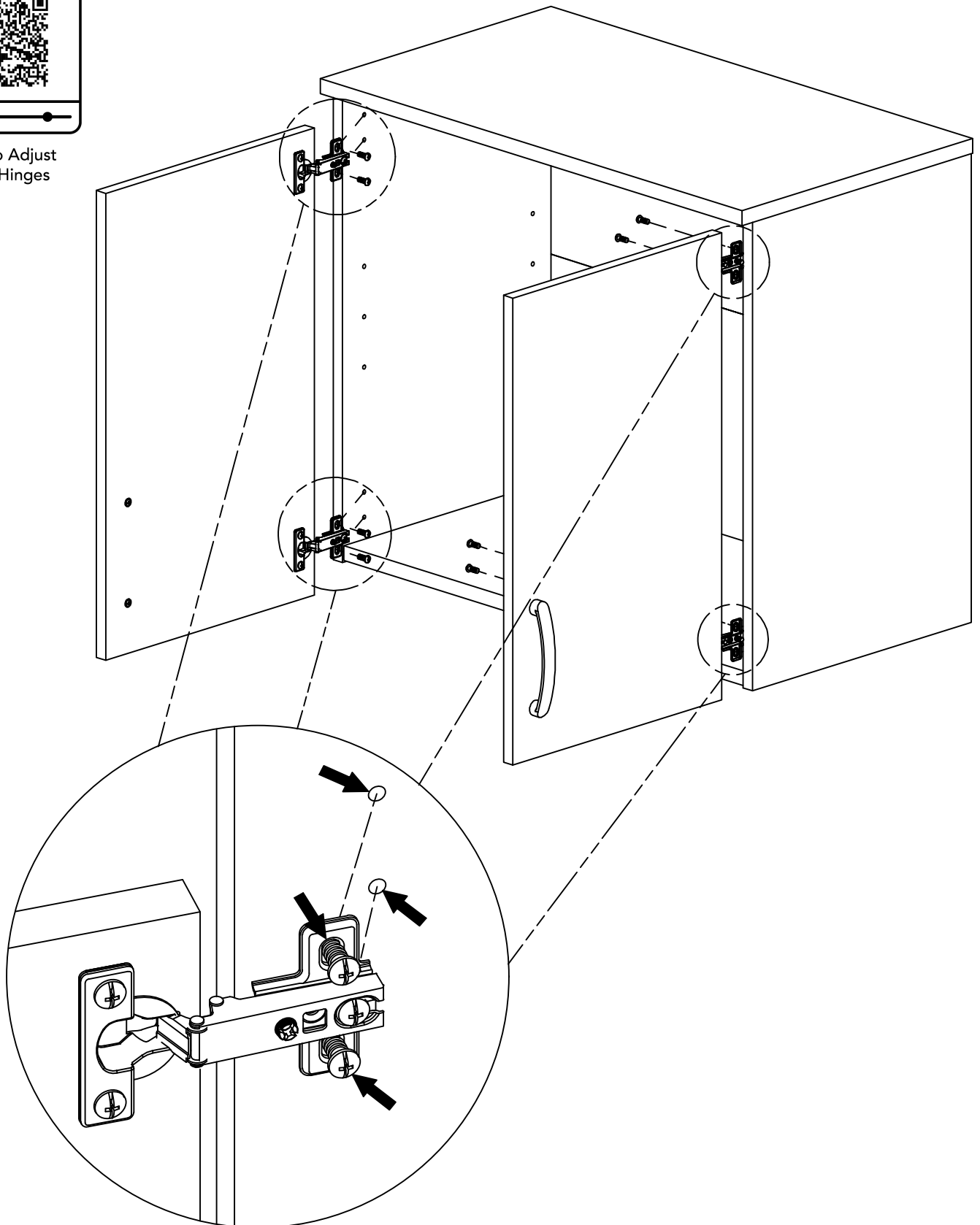


Have an assembly question or need a replacement part? Just call
1-800-950-4782, we are here to help.

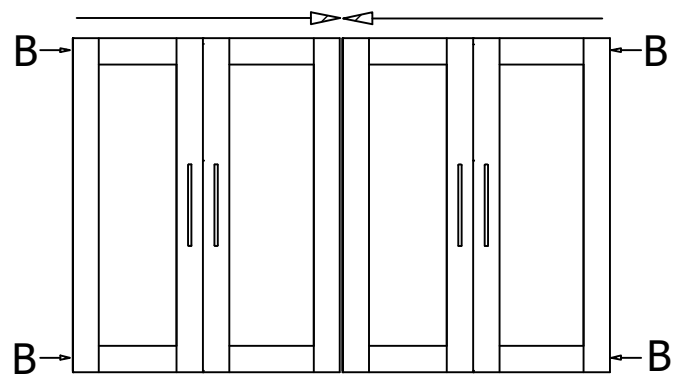
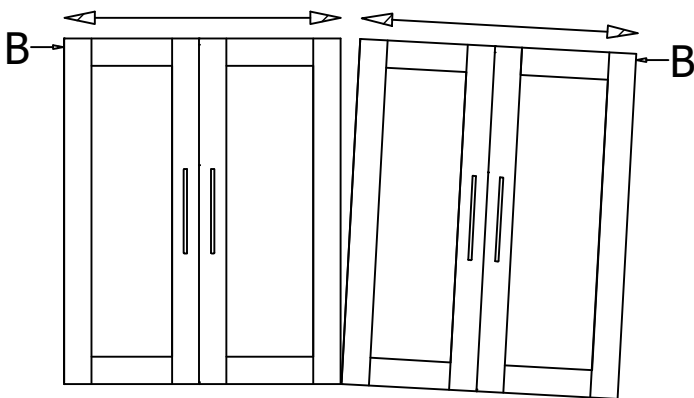
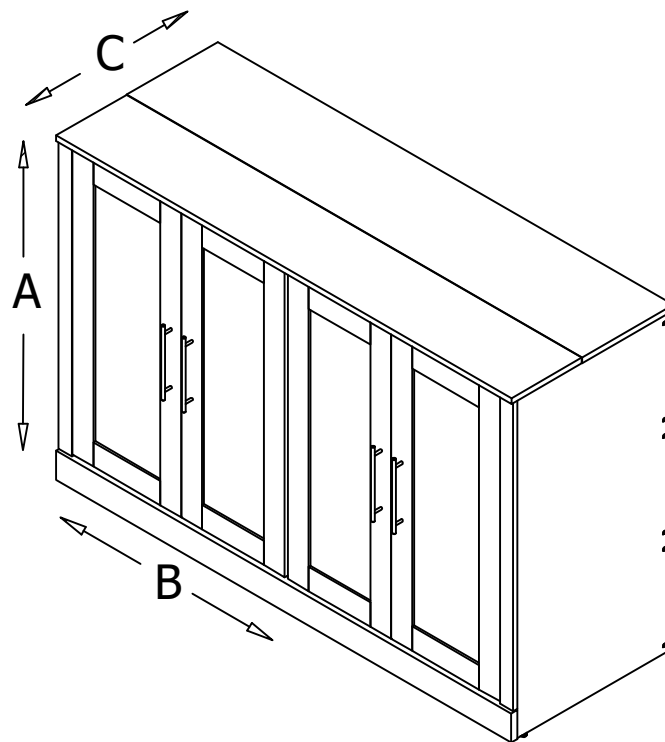
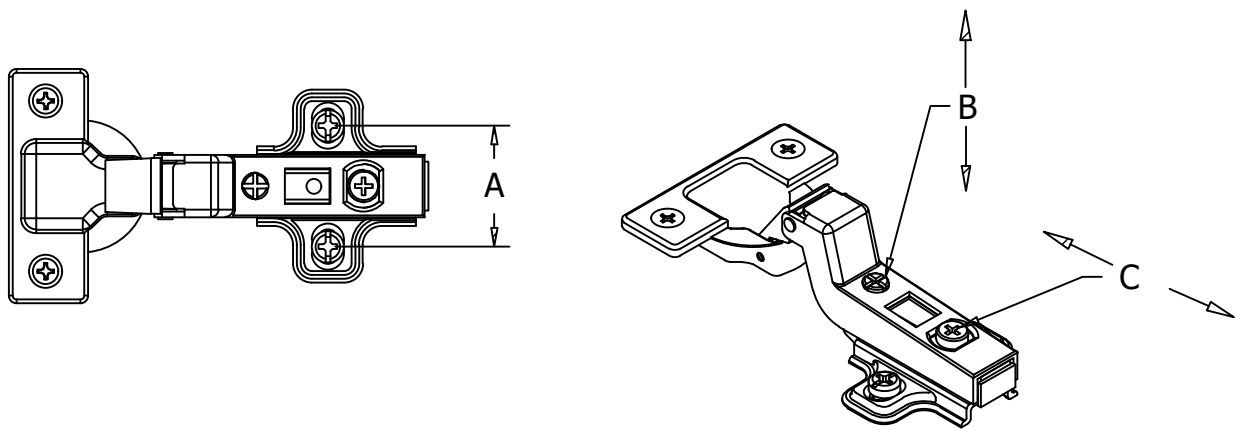
Scan QR Code to
Watch Video on:



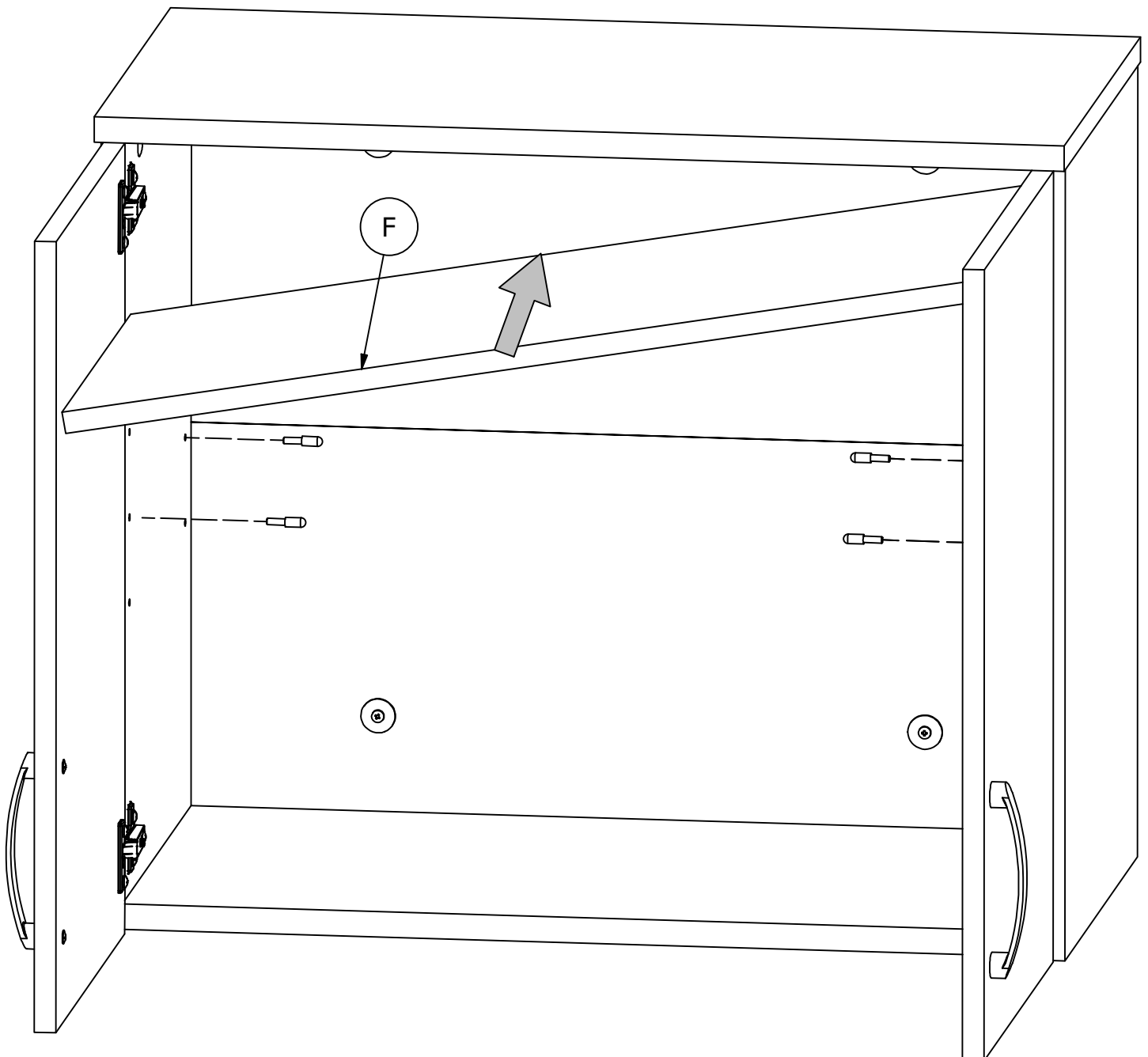
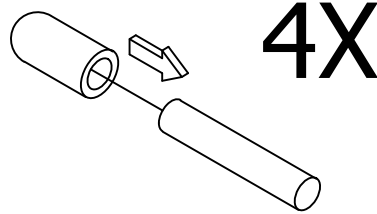
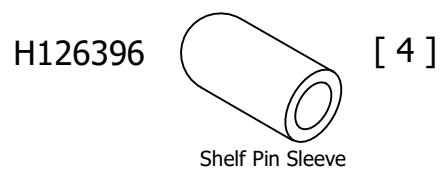
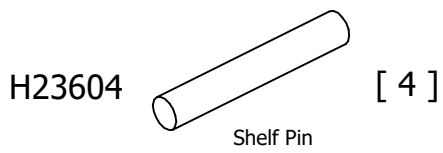
How to Adjust
Door Hinges



Have an assembly question or need a replacement part? Just call
1-800-950-4782, we are here to help.

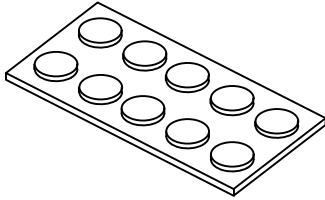


Have an assembly question or need a replacement part? Just call **1-800-950-4782**, we are here to help.

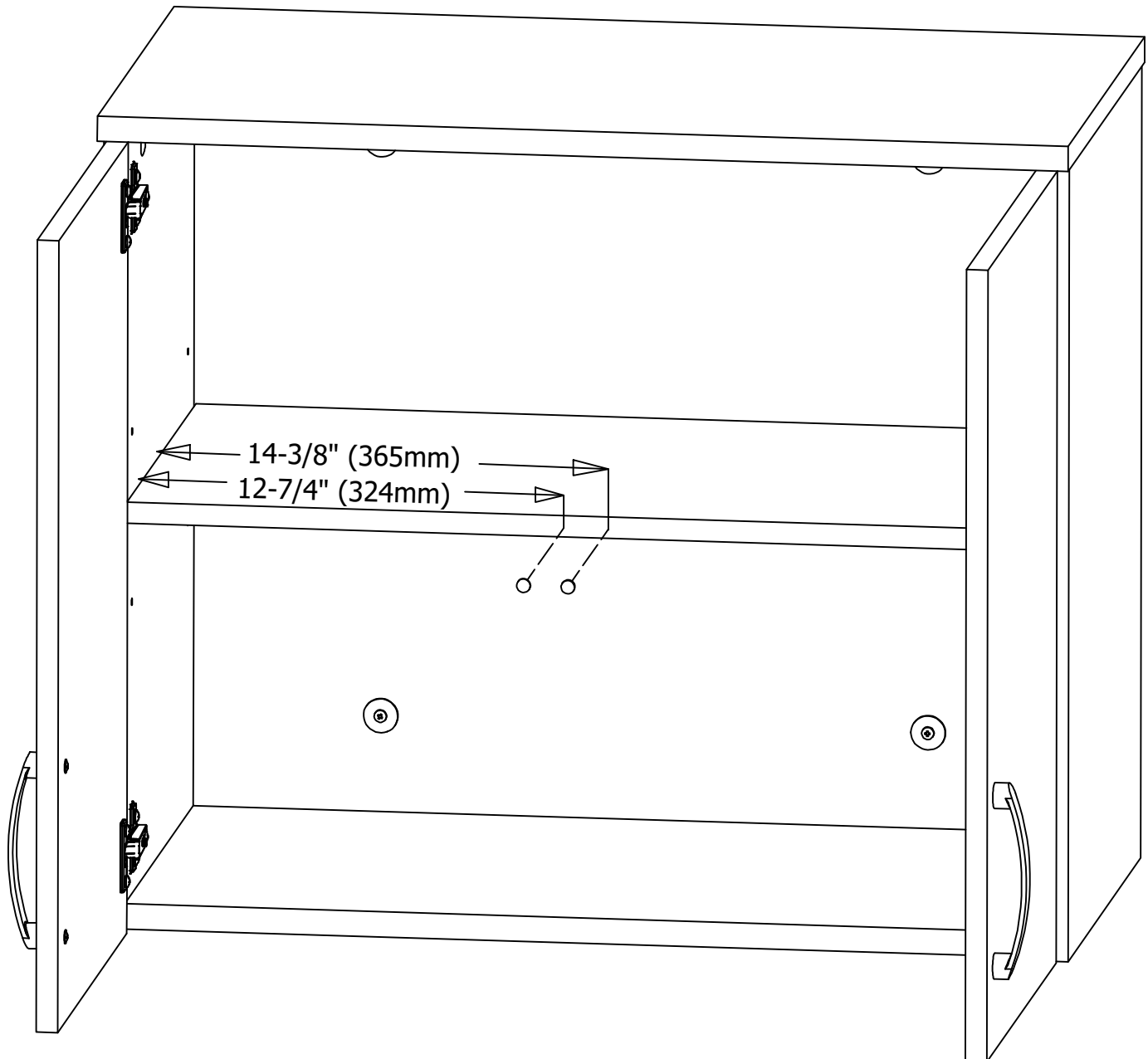


Have an assembly question or need a replacement part? Just call **1-800-950-4782**, we are here to help.

H215406



Bumper (10) per pack



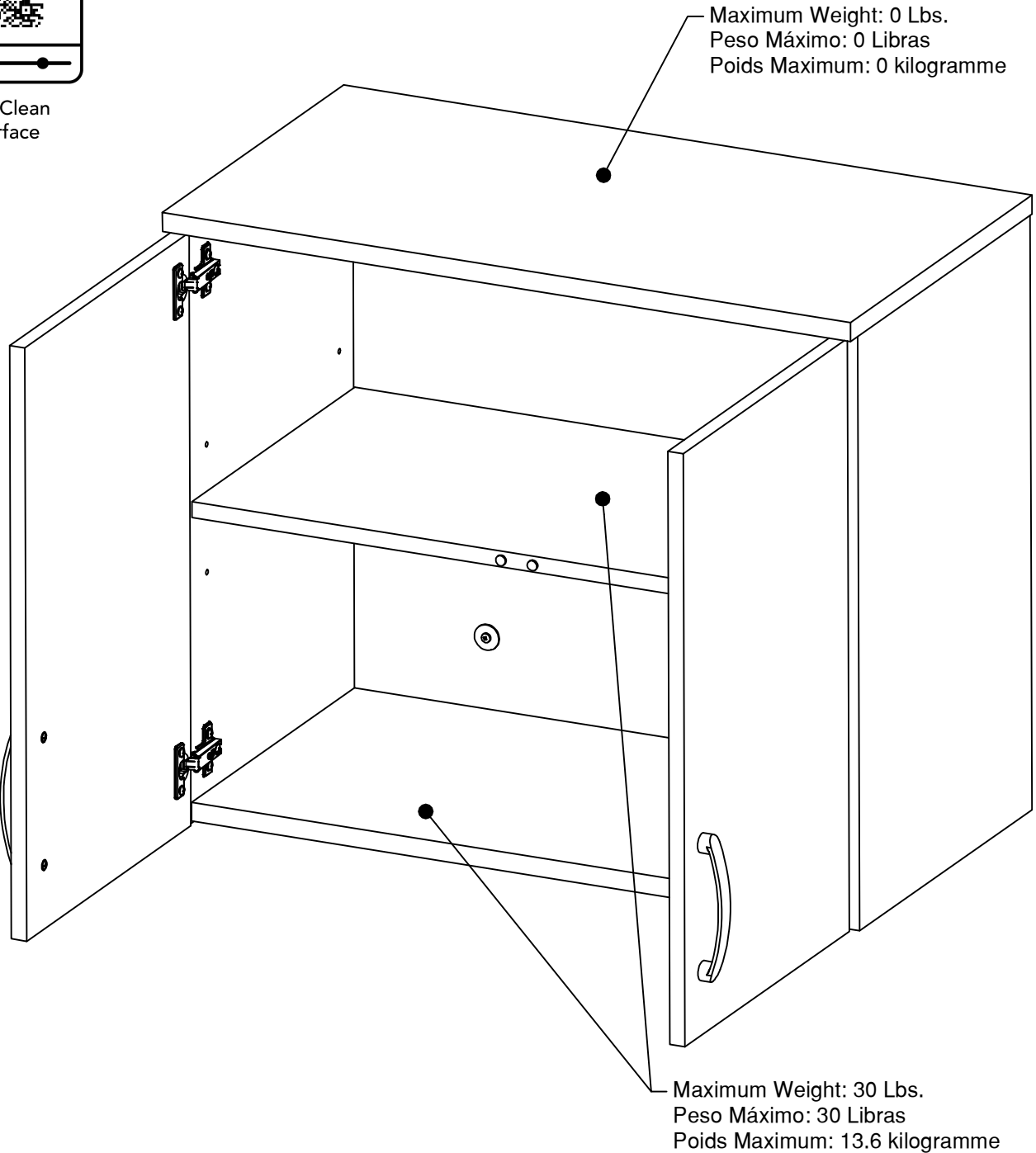
Have an assembly question or need a replacement part? Just call
1-800-950-4782, we are here to help.

Scan QR Code to Watch Video on:



How to Clean the Surface

Gently clean surfaces with a damp sponge eraser.



Maximum Weight: 0 Lbs.
Peso Máximo: 0 Libras
Poids Maximum: 0 kilogramme

Maximum Weight: 30 Lbs.
Peso Máximo: 30 Libras
Poids Maximum: 13.6 kilogramme

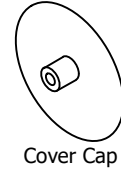
Congratulations! You are all done. If you have any questions or concerns, please call.

Have an assembly question or need a replacement part? Just call **1-800-950-4782**, we are here to help.

UNS428SG

A [1] W194169
 B [1] W194170
 C [1] W194171
 D [1] W194172
 E [2] W206800
 F [1] W194174
 G [1] W220740
 H [1] W220741

H92521



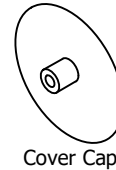
[8]

Cover Cap

UNS428WH

A [1] W194161
 B [1] W194162
 C [1] W194163
 D [1] W194164
 E [2] W206801
 F [1] W194166
 G [1] W220744
 H [1] W220745

H73619



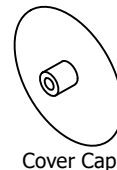
[8]

Cover Cap

UNS428PG

A [1] W203324
 B [1] W203325
 C [1] W203326
 D [1] W203327
 E [2] W206802
 F [1] W203329
 G [1] W220742
 H [1] W220743

H83021



[8]

Cover Cap