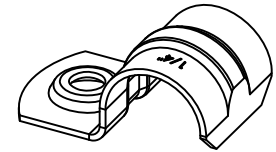
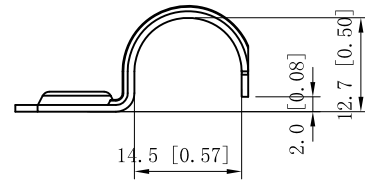
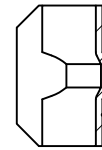
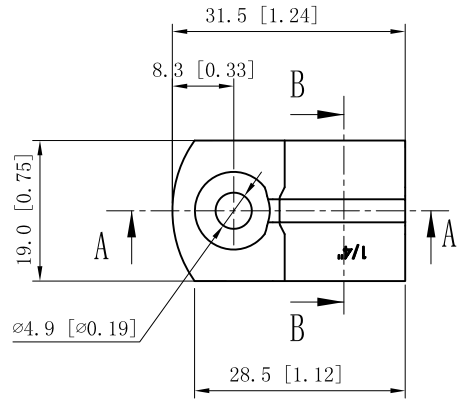
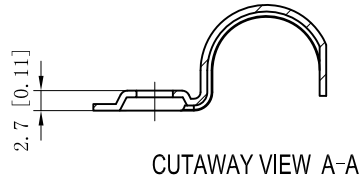


SIDES	BOTTOM
Material: 0.035" - Stainless steel 316	



This data sheet is for reference only. GARVIN INDUSTRIES reserves the right to make changes to the design without prior notice.

DESCRIPTION
TRADE REFERENCE TERMS

STANDARD PACKING	GARVIN INDUSTRIES		
	ONE-HOLE STRAPS		
SIZE	DWG NO.	REV	
A4	OHSSR-25		
DATA SHEET			
www.garvinindustries.com			