



Thank you for purchasing Leick Furniture products.
 Contact customer service for comments or concerns.

Sheboygan, WI

920-451-4060

info@leickfurnituresince1910.com

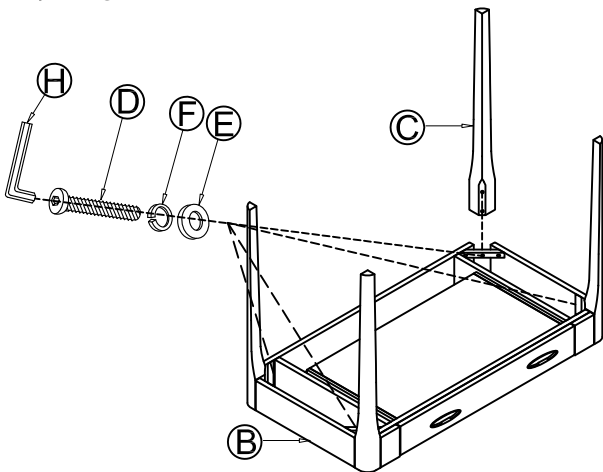
www.leickfurnituresince1910.com

Assembly Instructions, #11111 Writing/Computer Desk

A: Glass Top		F: (8) Lock Washers	
B: Side Frame		G: (6) Suction cups	
C: (4) Legs		H: Allen Wrench	
D: (8) Bolts			
E: (8) Flat Washers			

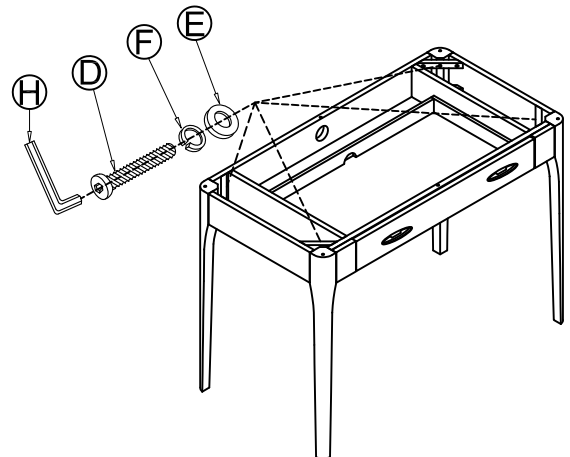
Step 1

Fasten four bolts on the legs with parts (D, F & E). Tighten.



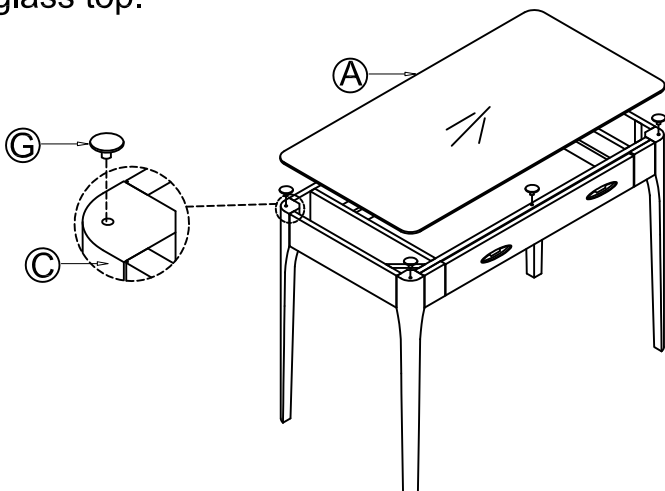
Step 2

Put the desk right side up. Fasten the remaining four bolts on legs with parts (D, F & E).

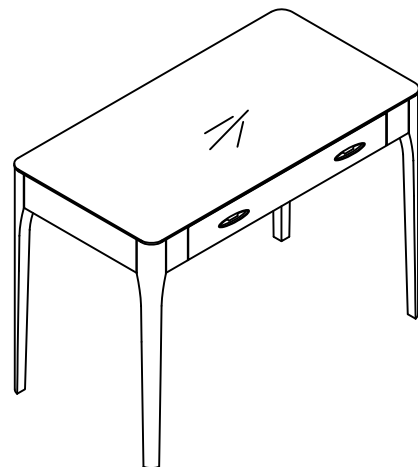


Step 3

Put the suction cups on before placing the glass top.



Step 4



Wire management hole on back of desk: pull the disk out, run wires, and snap disk back in place.

