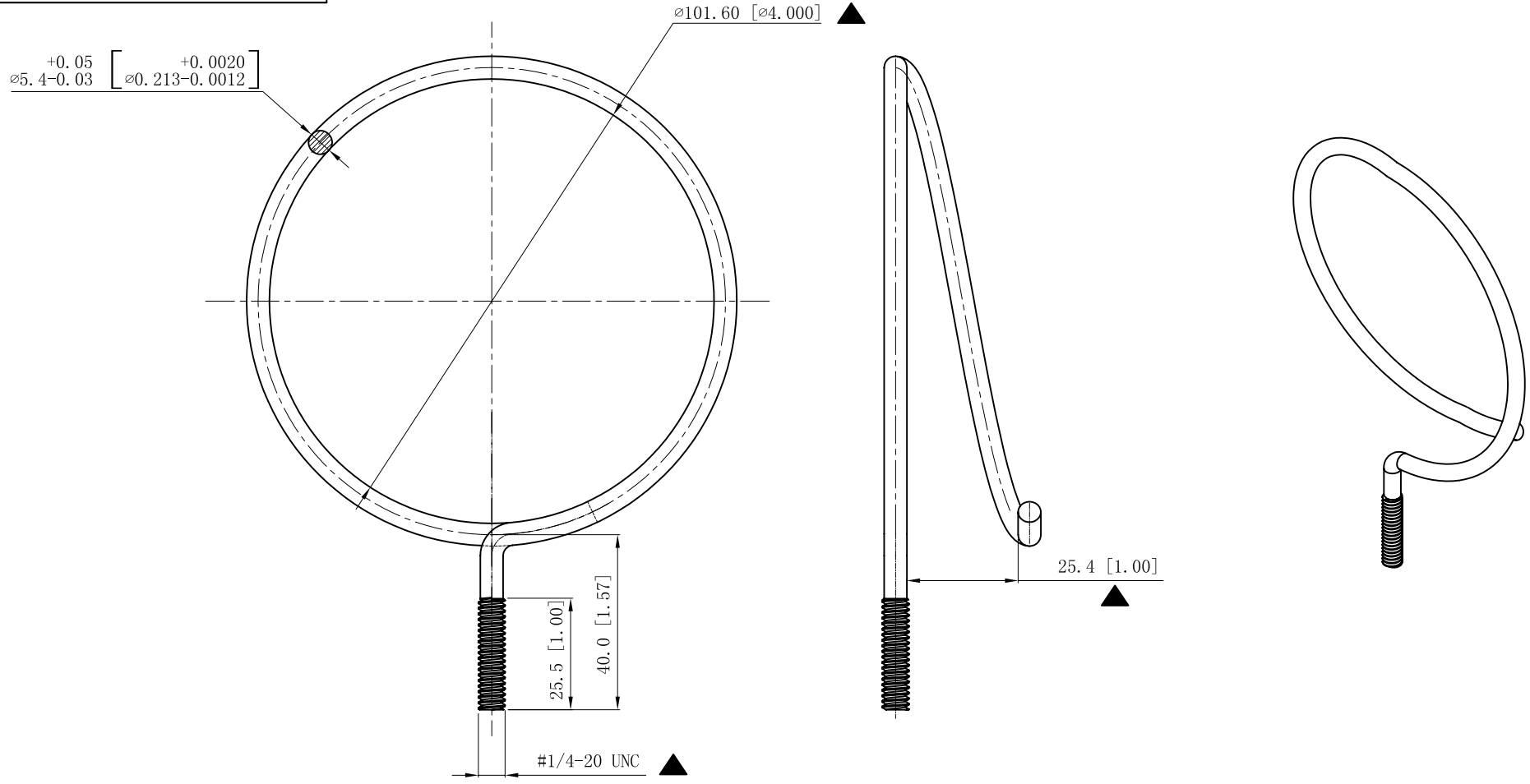


| | |
|--|--------|
| SIDES | BOTTOM |
| | |
| | |
| | |
| Material: Steel-0.213"-(C1008-C1018) Zinc Plated | |



This data sheet is for reference only .GARVIN INDUSTRIES reserves the right to make changes to the design without prior notice.

| |
|-----------------------|
| DESCRIPTION |
| |
| |
| TRADE REFERENCE TERMS |
| |

| |
|------------------|
| STANDARD PACKING |
| 50 PCS |

| | | | | | |
|----------------------------|---------|--|-------------------|--|-----|
| TITLE | | | GARVIN INDUSTRIES | | |
| MACHINE-SCREW BRIDLE RINGS | | | | | |
| SIZE | DWG NO. | | | | REV |
| A4 | BR-400 | | | | |
| DATA SHEET | | | | | |