

# Assembly Guide



**Bush**  
FURNITURE

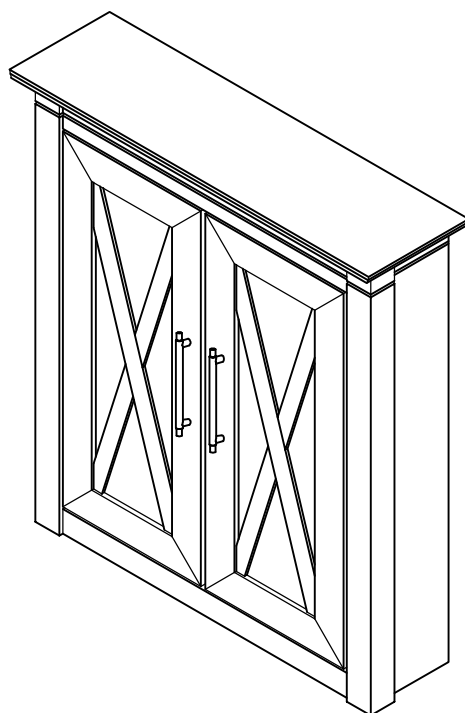


If you're having any difficulty during assembly of this product, don't hesitate to call us at **1-800-950-4782.**

Our customer service experts are trained to provide step-by-step instruction and can easily replace any missing or damaged parts.

**Representatives are available Monday-Friday from 8:30 a.m. to 7:30 p.m. (ET)**

## Wall Cabinet



Lot Code #

Part Number A199337A

Keep manual for future reference.

## For best results, keep these tips in mind:

- ① We know you want to finish this assembly as quickly as possible, but trust us: you'll have a better experience if you take it one step at a time.
- ② Give yourself some room to work near where you want the fully assembled product.
- ③ If your floor isn't carpeted, assemble this product on the empty carton to avoid scratching.
- ④ Do you have a friend who owes you a favor? Some steps may go a little easier with a second set of hands.

## DOs

- ✓ Use a #2 Phillips head screwdriver (or other handheld tools as indicated).
- ✓ Wear safety glasses at all times during assembly.
- ✓ Carefully follow the instructions in this guide and complete all steps in order.
- ✓ Give us a call if you're having trouble with a particularly tricky step.
- ✓ Use Power drill and level.
- ✓ Verify product is in final position and level before drilling wall holes.

## DON'Ts

- ✗ Do not attempt to use this product before all steps have been completed.



## Watch assembly videos right on your phone or computer!



Some steps include QR codes that link to helpful videos. Watch out for the icon below! Simply open up your smartphone camera to scan the code.

*(Users of older smartphones may need to install a QR Reader.)*

### SCAN HERE



FOR VIDEOS

Or visit <https://bushfurniture.com/help-faq/#assembling>

# IMPORTANT SAFETY INFORMATION



## PLEASE READ WARNINGS

Improper use can cause safety hazards, or damage to your furniture and household items.

Warning	Do	Don't	Why it's important
<b>Serious injury may occur.</b>	<ul style="list-style-type: none"><li>Assemble following all instructions using all indicated parts and hardware provided.</li></ul>		Improper assembly, use or loading can lead to product instability, tip-over or collapse.

Advertencia	Hacer	No	Por qué es importante
<b>Se pueden producir lesiones graves.</b>	<ul style="list-style-type: none"><li>Ensamble siguiendo todas las instrucciones utilizando todas las piezas y ferretería indicados provistos.</li></ul>		El ensamblaje, uso o carga inadecuados pueden provocar inestabilidad del producto, vuelco o colapso.

Avertissement	Faire	Ne le fais pas	Pourquoi c'est important
<b>Des blessures graves peuvent survenir.</b>	<ul style="list-style-type: none"><li>Assemblez en suivant toutes les instructions en utilisant toutes les pièces et le matériel indiqués fournis.</li></ul>		Un assemblage, une utilisation ou un chargement incorrects peuvent entraîner une instabilité du produit, un renversement ou un effondrement.

# Wall Anchoring Guide

***If your wall material is not listed or if you have questions, consult with a local hardware retailer.***

---

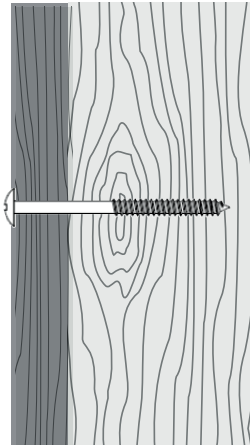
## **PREFERRED METHOD:**

### **WALL MATERIAL**

Drywall or plaster with available wood stud

### **ANCHORING DEVICE**

**Bush provided** #10 x 2.5" Truss-Head screw directly into wood wall stud.



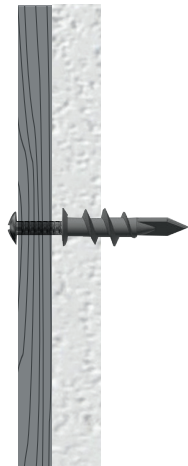
## **ALTERNATE METHOD:**

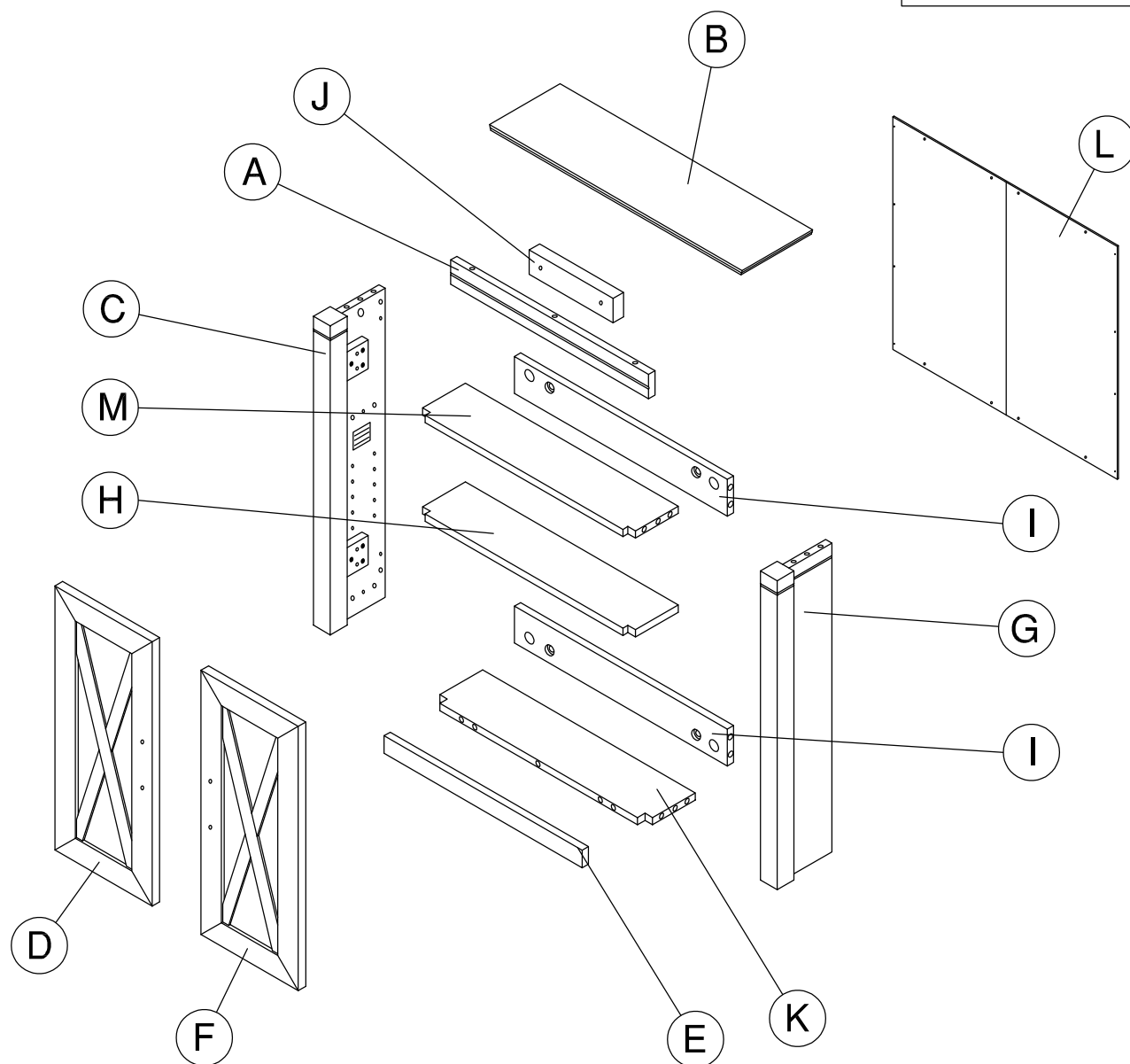
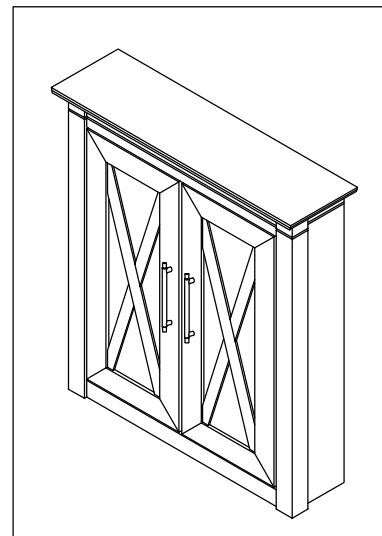
### **WALL MATERIAL**

Drywall without available wood stud

### **ANCHORING DEVICE**

**Bush provided** self-drilling drywall anchor and screw.

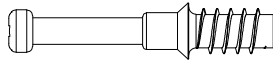




Have an assembly question or need a replacement part? Just call  
**1-800-950-4782**, we are here to help.

Fasteners are shown actual size.

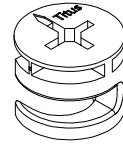
H180604



KD Bolt

[ 15 ]

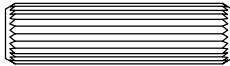
H200020



KD Cam

[ 15 ]

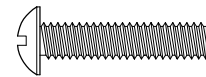
H38169



Wood Dowel  
8 x 30mm

[ 19 ]

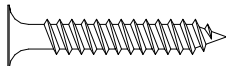
H127839



M4 x 22mm

[ 4 ]

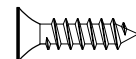
H200032



M4 X 32mm

[ 2 ]

H200028



M3.5 X 16mm

[ 8 ]

H200026



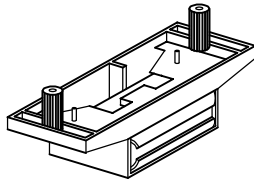
M3 X 12mm

[ 10 ]

Have an assembly question or need a replacement part? Just call  
**1-800-950-4782**, we are here to help.

Hardware not to scale.

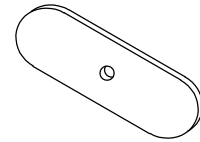
H200012



Magnetic Top

[ 2 ]

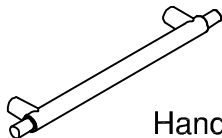
H200013



Strike Plate

[ 2 ]

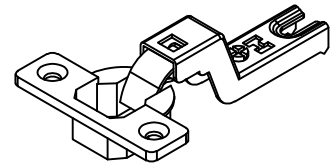
H180971



Handle

[ 2 ]

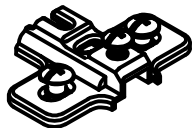
H170611



Hinge

[ 4 ]

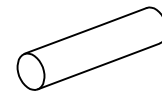
H170612



Mounting Plate

[ 4 ]

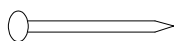
H23604



Shelf Pin  
1" x 3/16"

[ 4 ]

H200011



Nail

[ 8 ]



Cover Cap

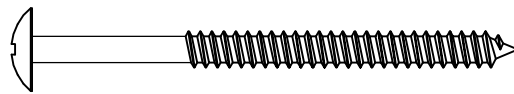
[ 21 ]

Have an assembly question or need a replacement part? Just call  
**1-800-950-4782**, we are here to help.

Hardware not to scale.

## WALL ATTACHMENT HARDWARE

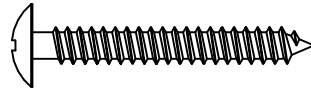
H194287



[ 4 ]

# 10 X 2.5 "

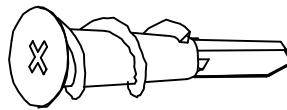
H200043



[ 4 ]

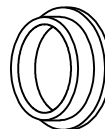
M4 X 38mm

H200009



[ 4 ]

Wall Anchor



[ 4 ]

Screw Cap

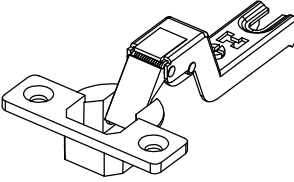
Have an assembly question or need a replacement part? Just call  
**1-800-950-4782**, we are here to help.



# STEP 1

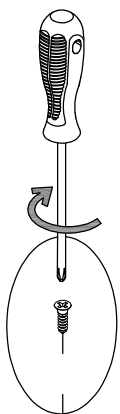
## Prepare Doors

A199337A

H170611  [ 4 ]      H200028  [ 8 ]  
Hinge      M3.5 X 16mm

H127839  [ 4 ]      H180971  [ 2 ]  
M4 x 22mm      Handle

H200026  [ 2 ]      H200013  [ 2 ]  
M3 X 12mm      Strike Plate



H200026

H127839

D

F

H127839

H200026

Have an assembly question or need a replacement part? Just call  
**1-800-950-4782**, we are here to help.

# STEP 2

# Prepare Panels

A199337A

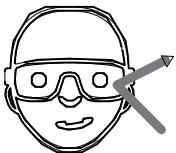
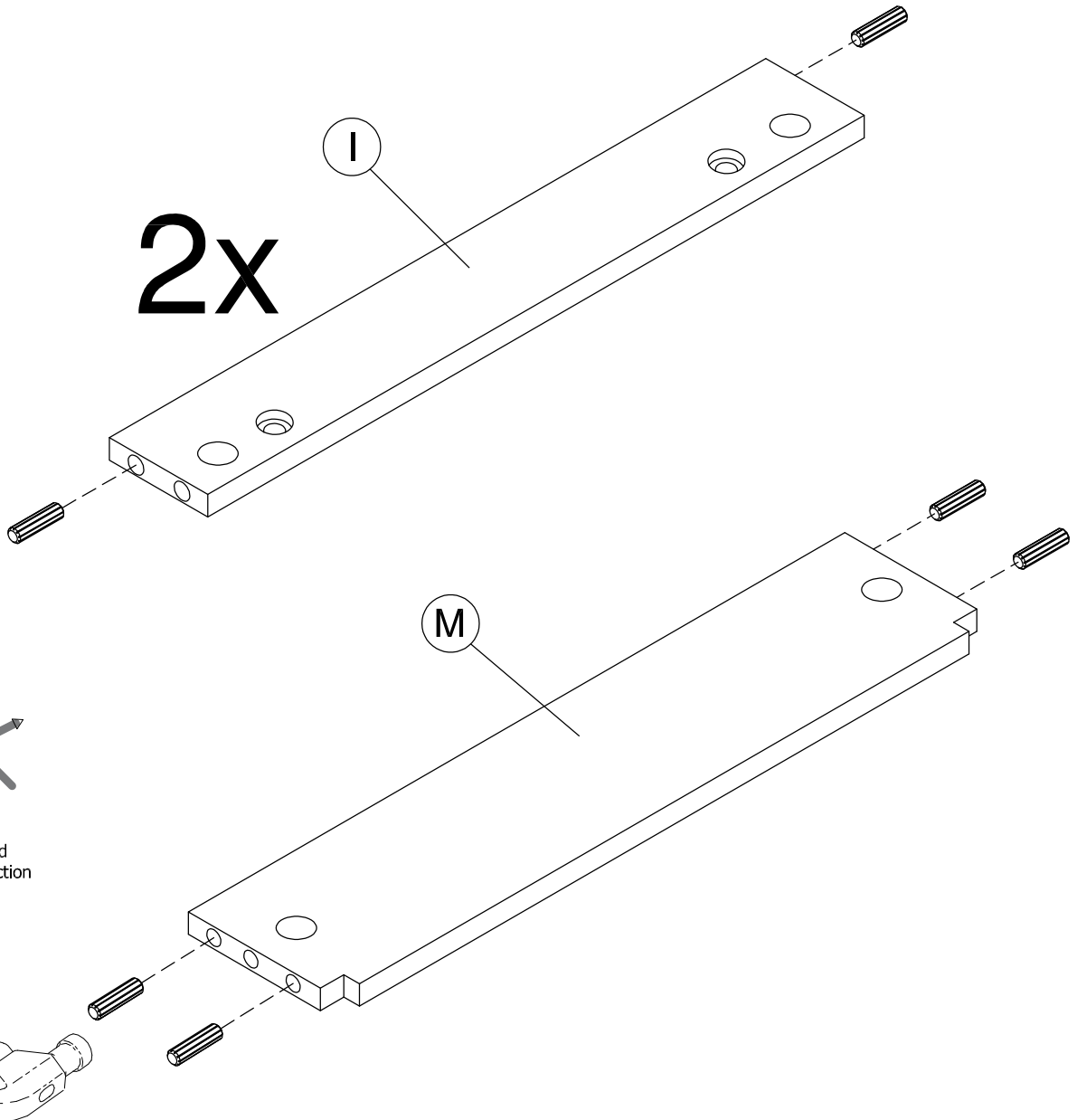
H38169



[ 8 ]

Wood Dowel  
8 x 30mm

2x



Safety glasses  
Gafas de seguridad  
Lunettes de protection

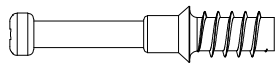
Have an assembly question or need a replacement part? Just call  
**1-800-950-4782**, we are here to help.

# STEP 3

# Prepare Panels

A199337A

H180604



[ 3 ]

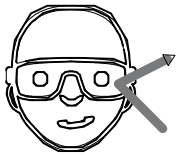
KD Bolt

H38169

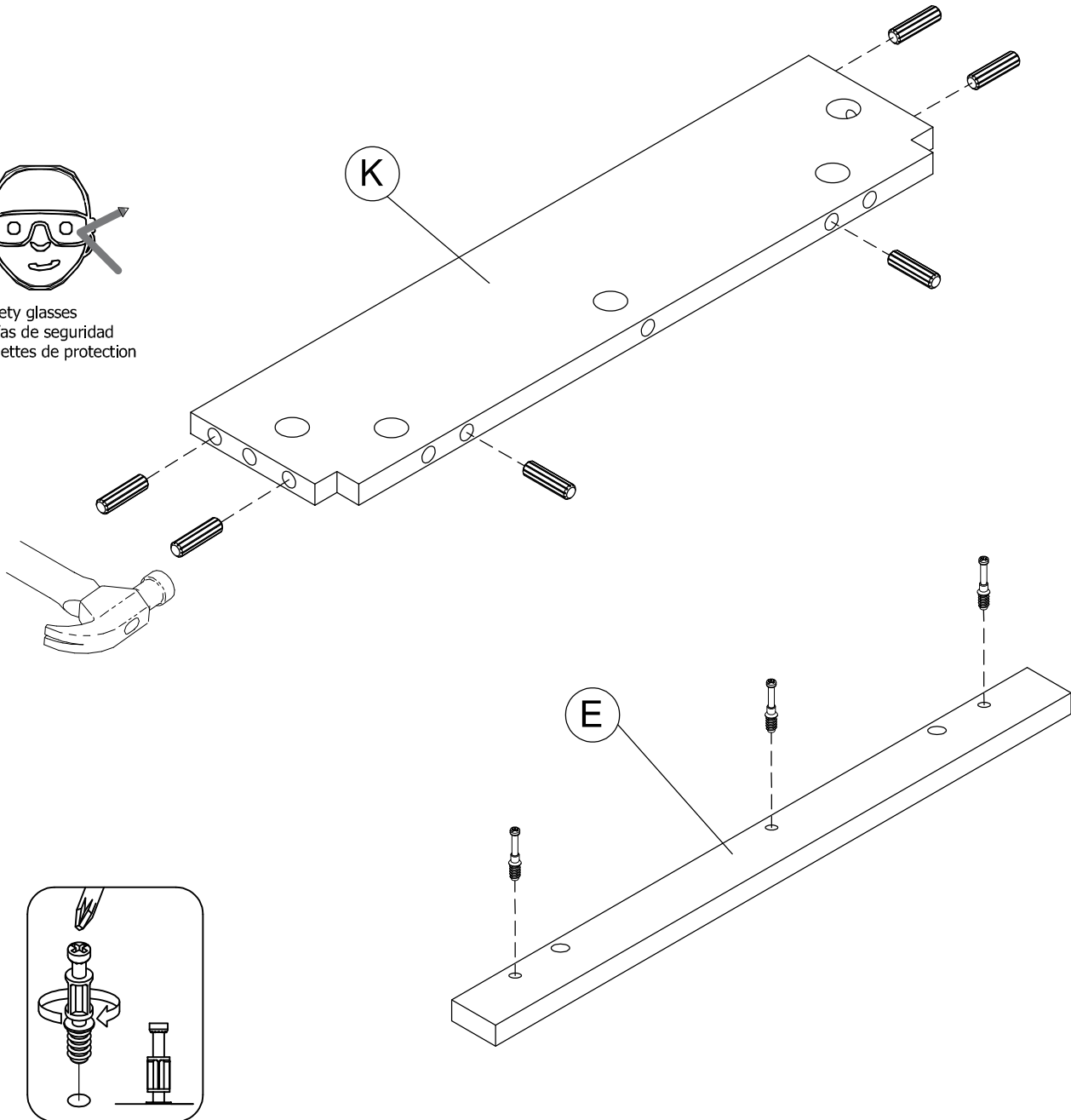


[ 6 ]

Wood Dowel  
8 x 30mm



Safety glasses  
Gafas de seguridad  
Lunettes de protection



Have an assembly question or need a replacement part? Just call  
**1-800-950-4782**, we are here to help.

# STEP 4

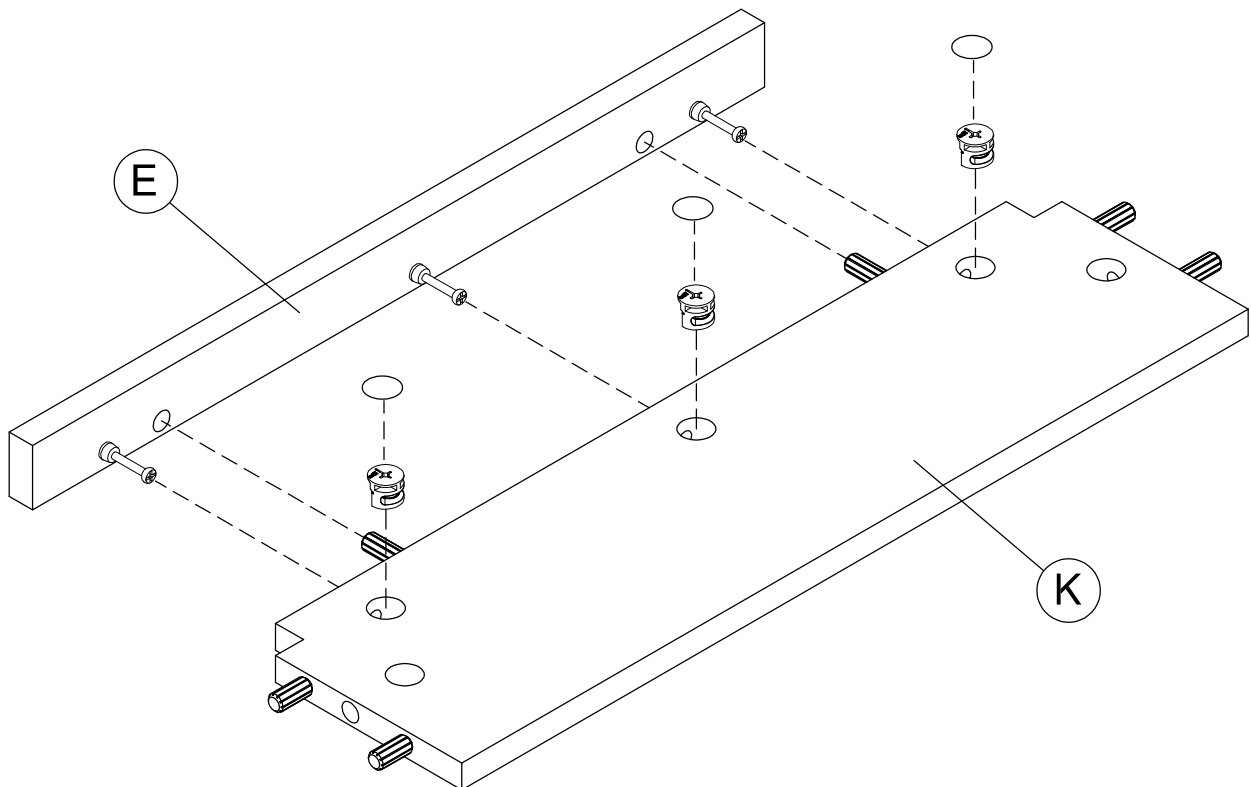
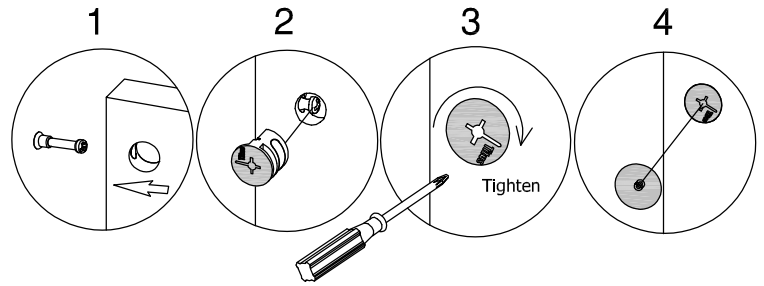
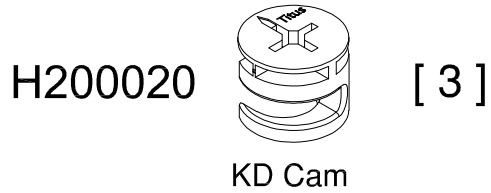
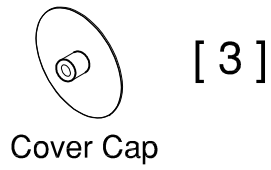
## Assemble Panels

A199337A

Scan QR Code to Watch Video on:



How to Tighten KD Cams

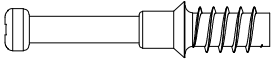


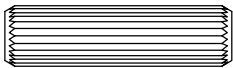
Have an assembly question or need a replacement part? Just call **1-800-950-4782**, we are here to help.

# STEP 5

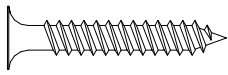
# Prepare Panels

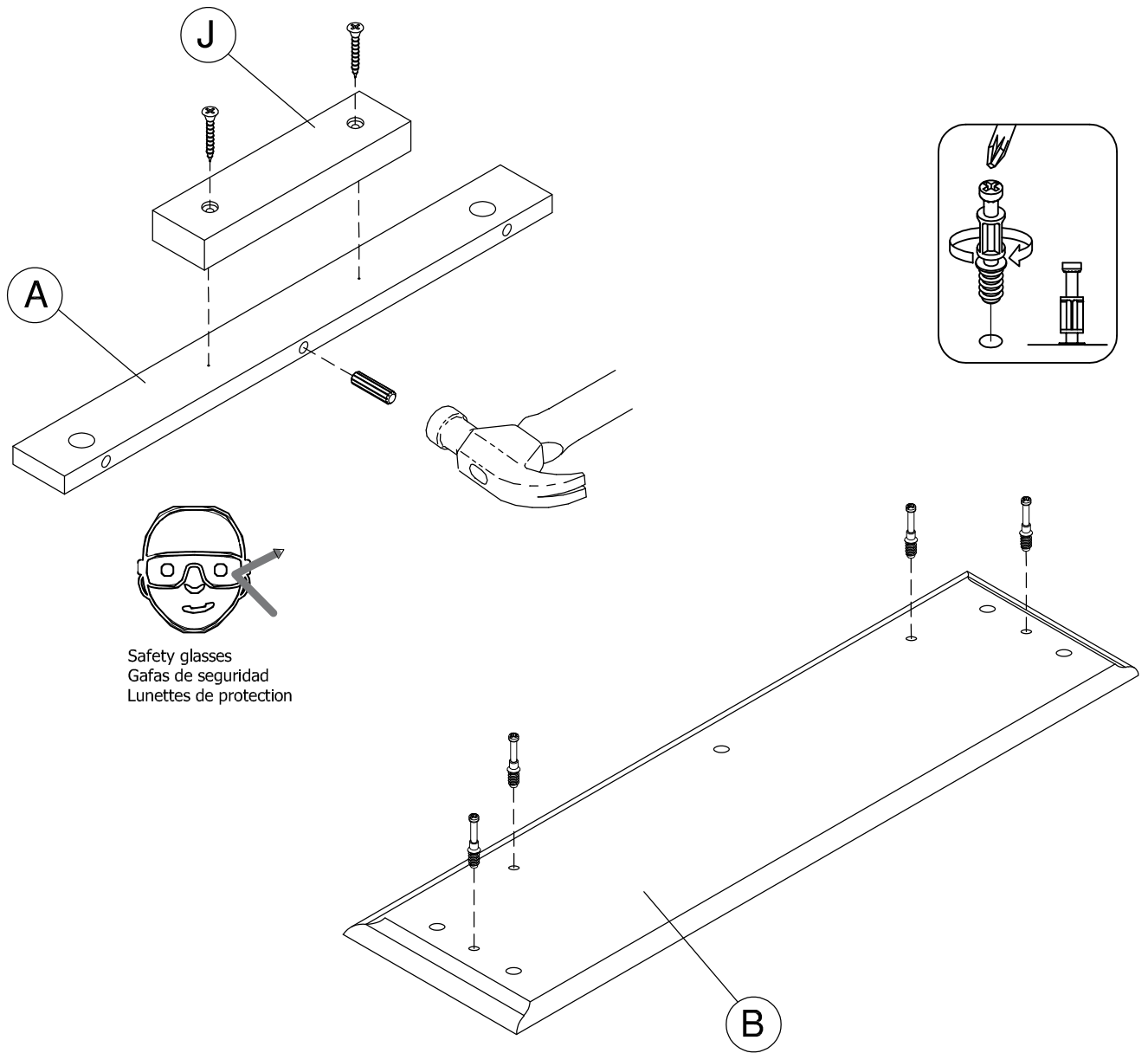
A199337A

H180604  [ 4 ]  
KD Bolt

H38169  [ 1 ]

Wood Dowel  
8 x 30mm

H200032  [ 2 ]  
M4 X 32mm



Have an assembly question or need a replacement part? Just call  
**1-800-950-4782**, we are here to help.

# STEP 6

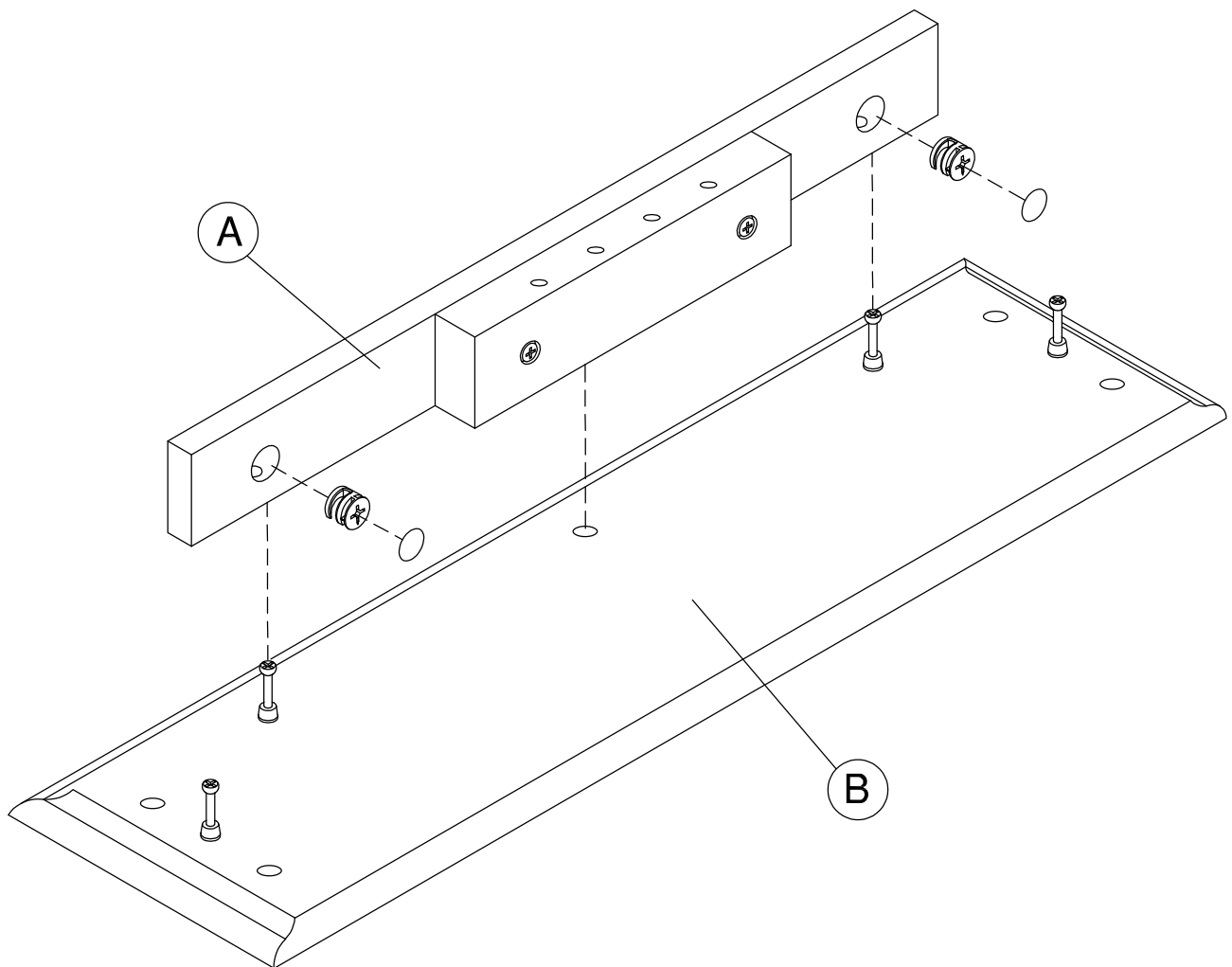
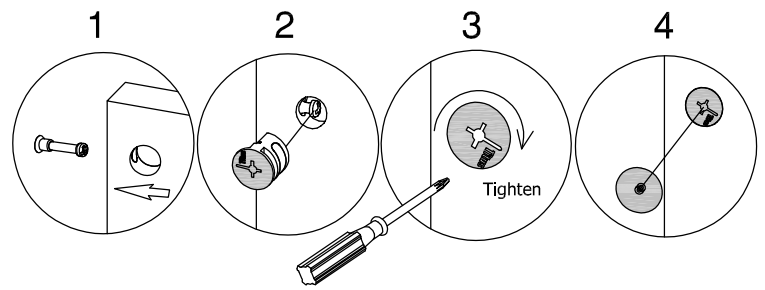
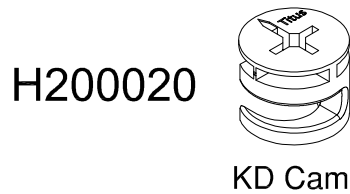
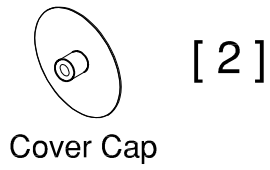
# Assemble Panels

A199337A

Scan QR Code to Watch Video on:

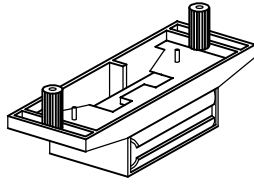


How to Tighten KD Cams



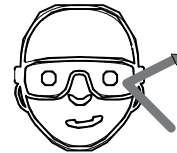
Have an assembly question or need a replacement part? Just call **1-800-950-4782**, we are here to help.

H200012

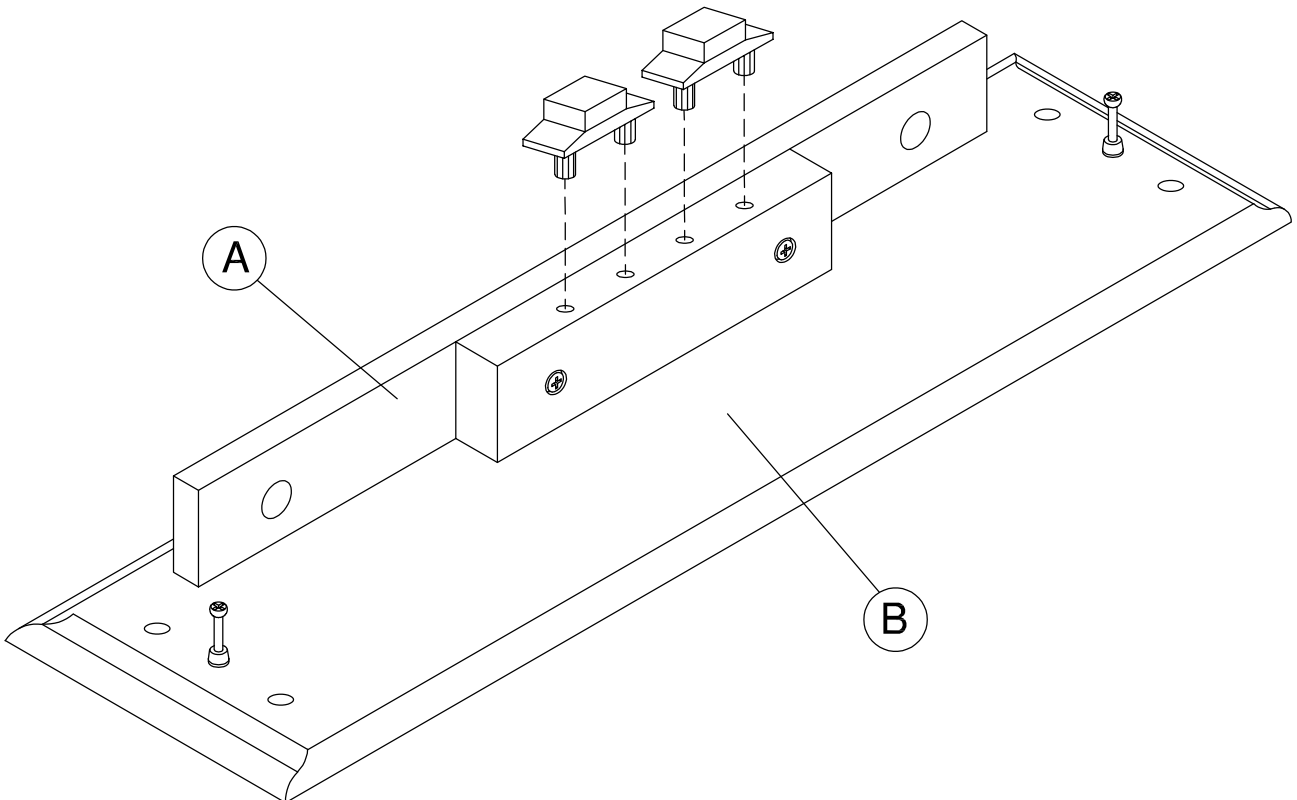
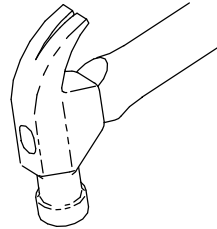


[ 2 ]

Magnetic Top



Safety glasses  
Gafas de seguridad  
Lunettes de protection



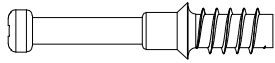
Have an assembly question or need a replacement part? Just call  
**1-800-950-4782**, we are here to help.

# STEP 8

# Prepare Panels

A199337A

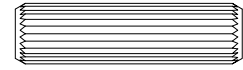
H180604



KD Bolt

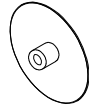
[ 8 ]

H38169



Wood Dowel  
8 x 30mm

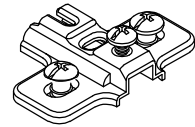
[ 4 ]



Cover Cap

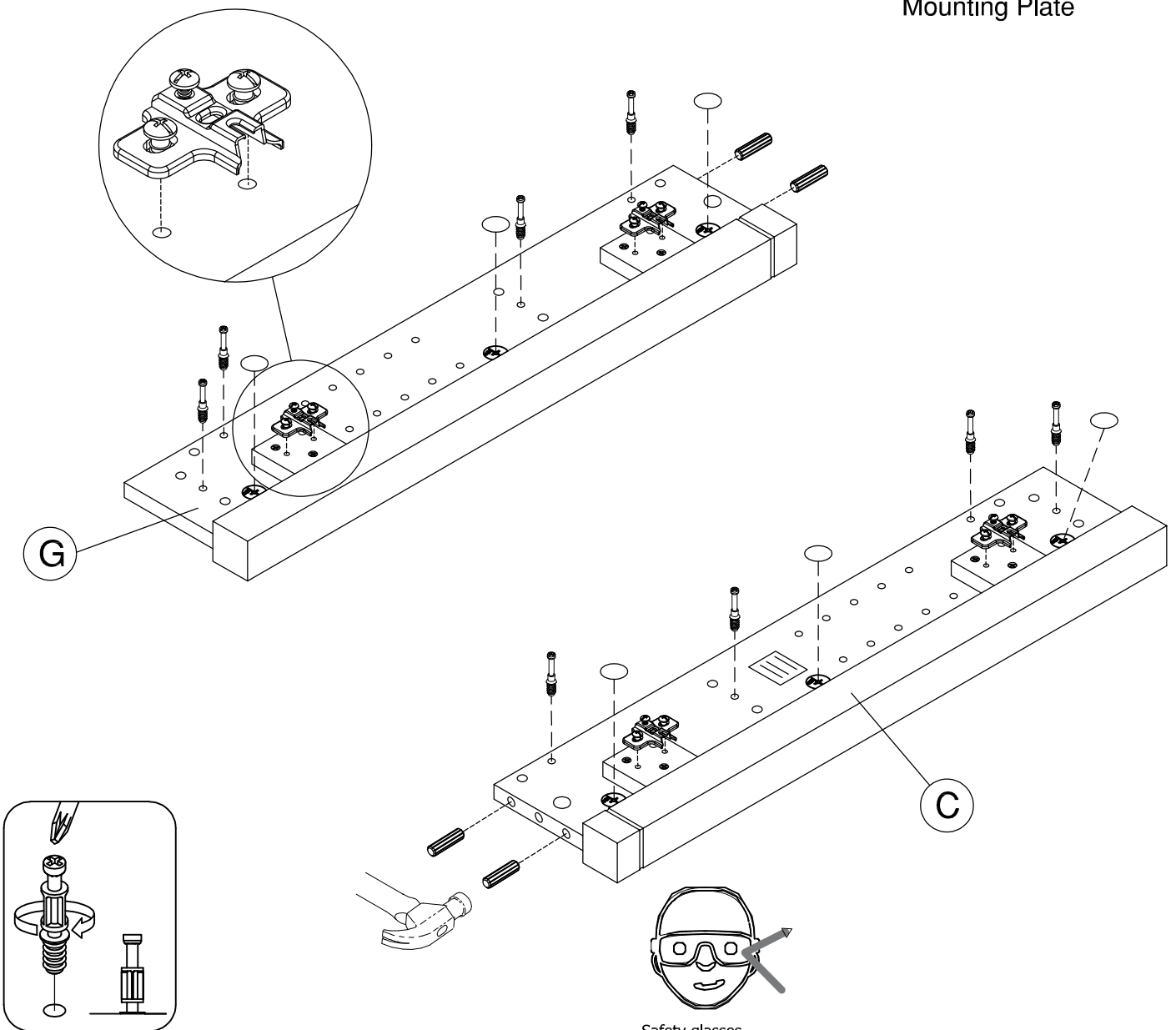
[ 6 ]

H170612



Mounting Plate

[ 4 ]



Safety glasses  
Gafas de seguridad  
Lunettes de protection

Have an assembly question or need a replacement part? Just call  
**1-800-950-4782**, we are here to help.



# STEP 9

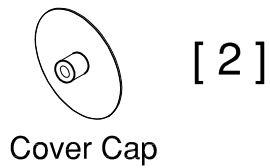
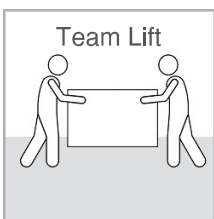
## Assemble Panels

A199337A

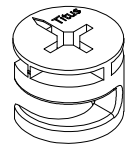
Scan QR Code to Watch Video on:



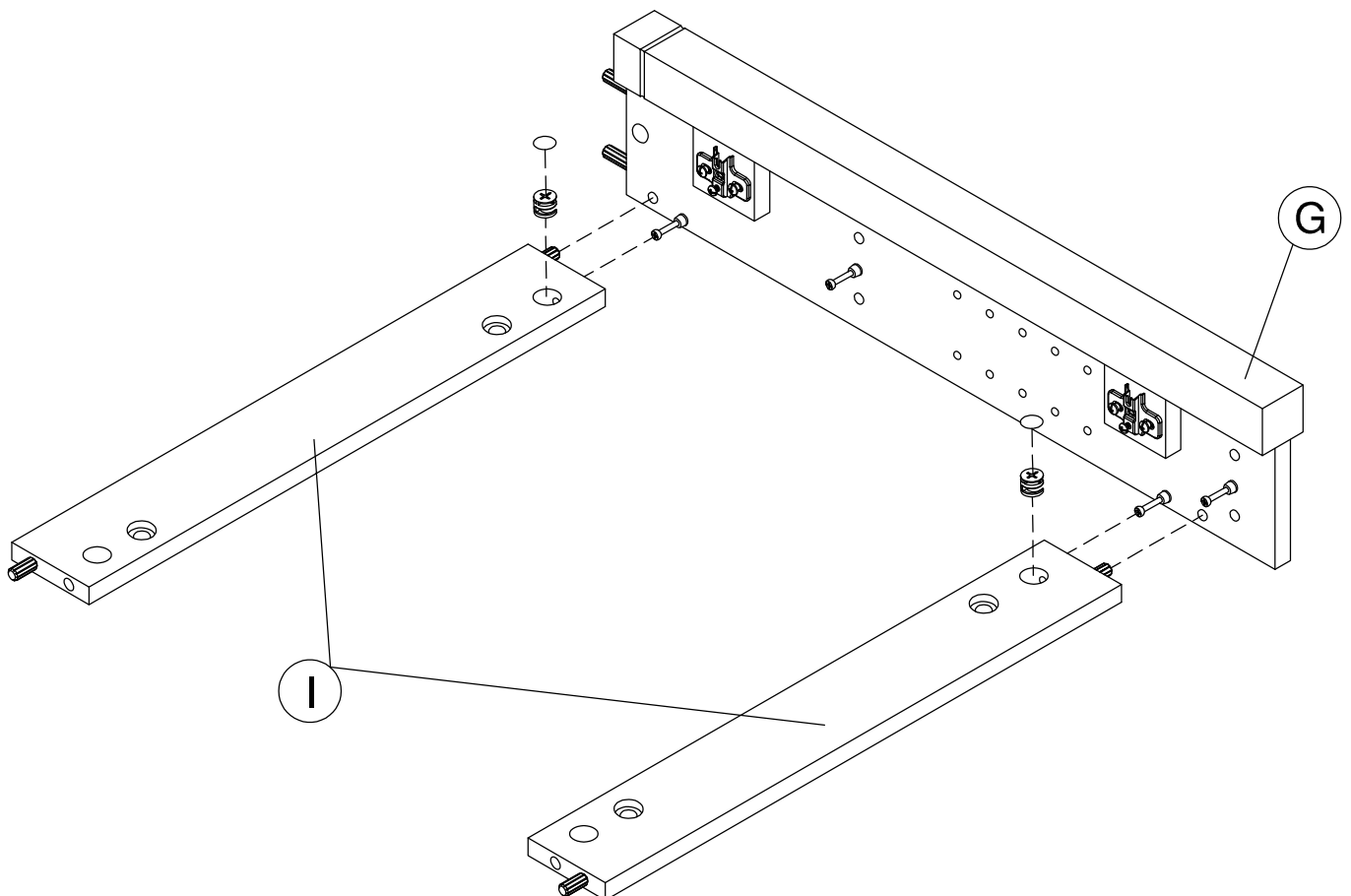
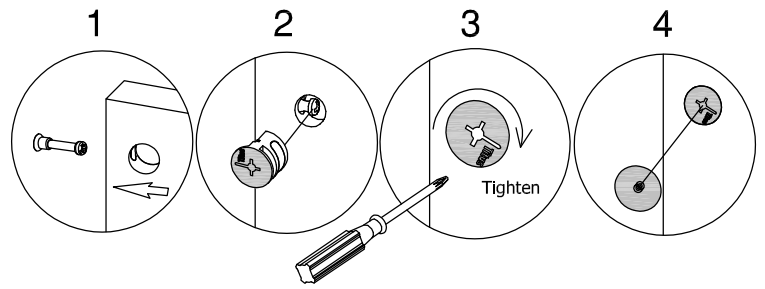
How to Tighten KD Cams



H200020



KD Cam



Have an assembly question or need a replacement part? Just call  
**1-800-950-4782**, we are here to help.

# STEP 10

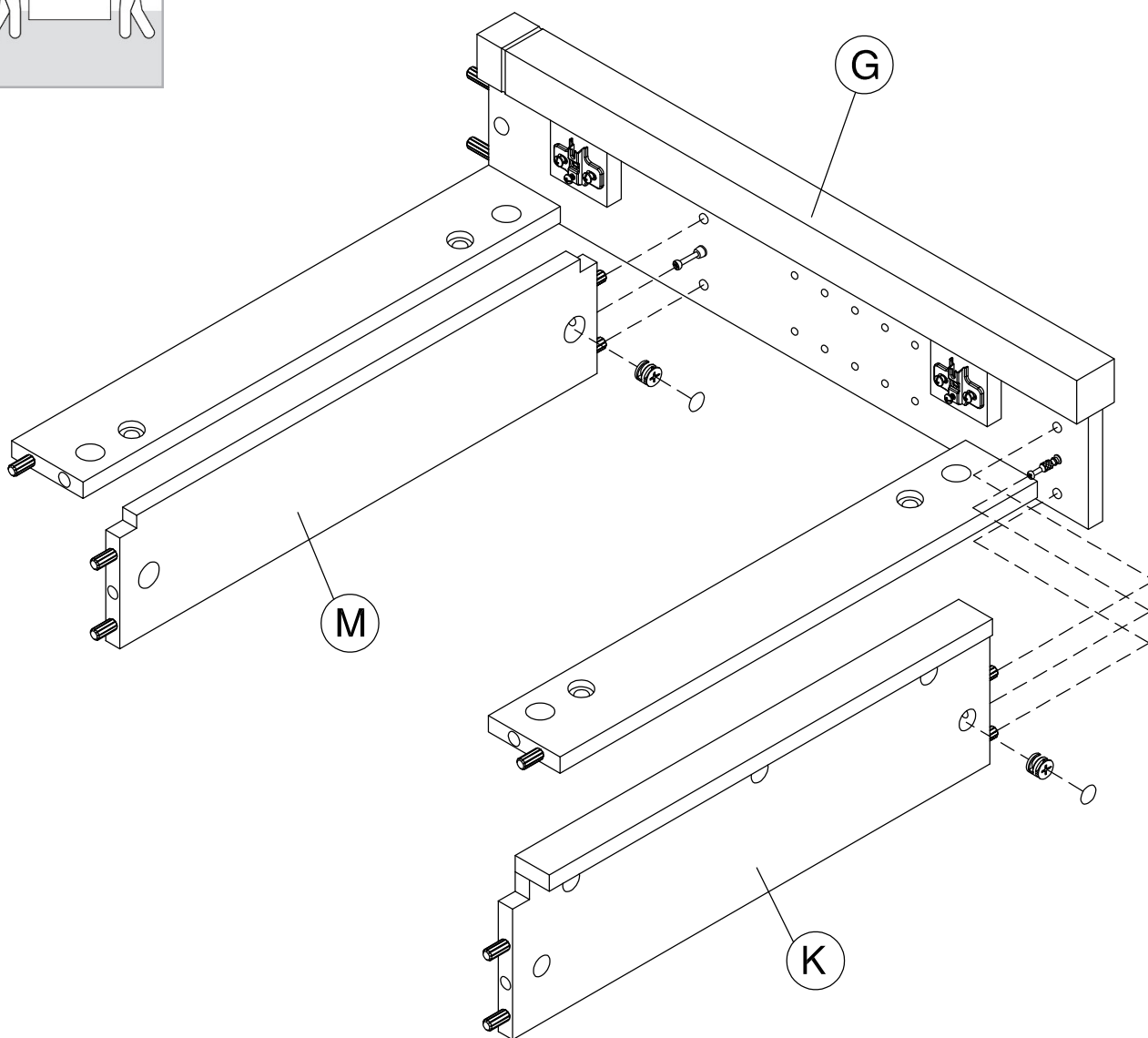
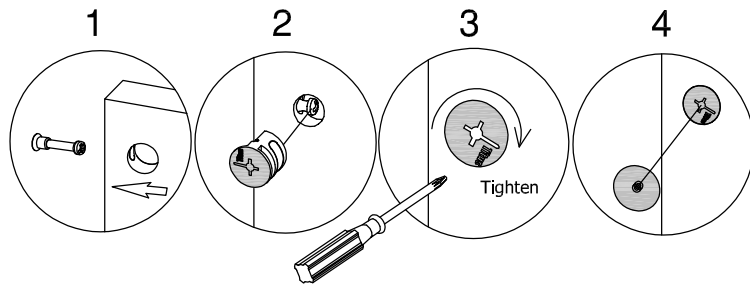
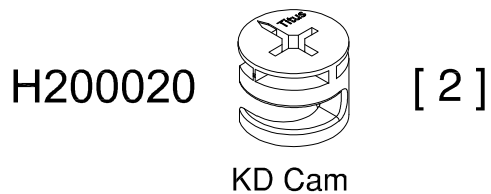
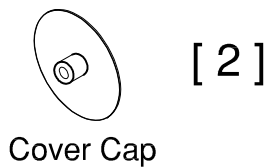
# Assemble Panels

A199337A

Scan QR Code to Watch Video on:



How to Tighten KD Cams



Have an assembly question or need a replacement part? Just call **1-800-950-4782**, we are here to help.

# STEP 11

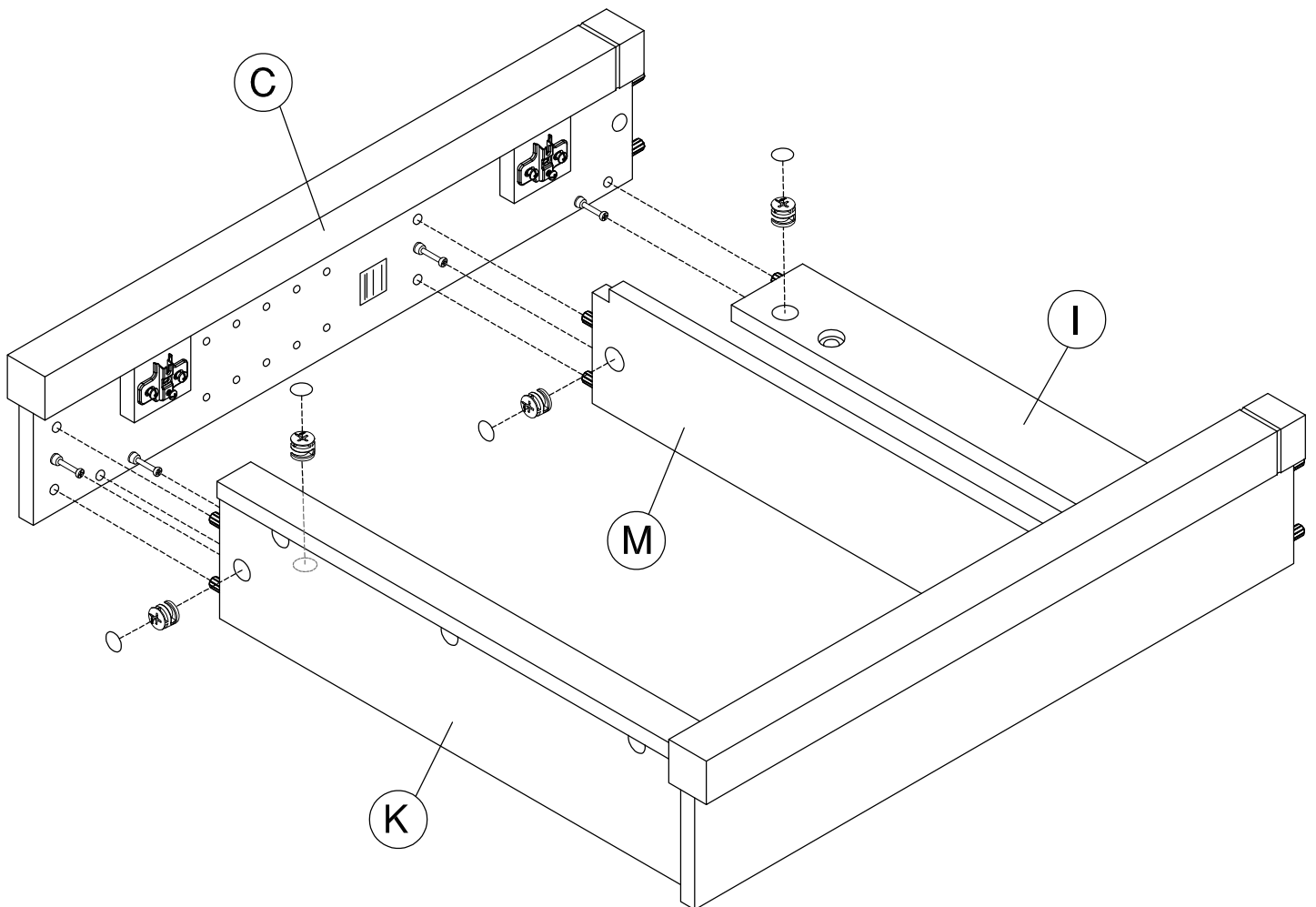
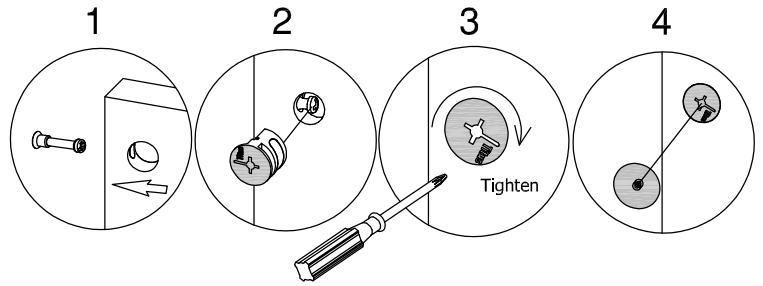
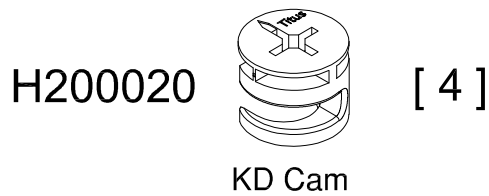
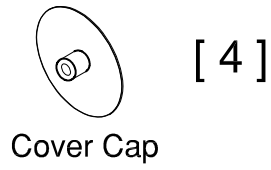
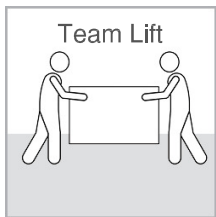
## Assemble Panels

A199337A

Scan QR Code to Watch Video on:



How to Tighten KD Cams



Have an assembly question or need a replacement part? Just call  
**1-800-950-4782**, we are here to help.

# STEP 12

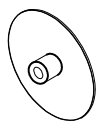
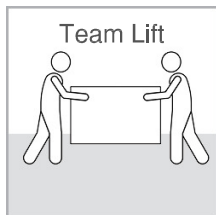
# Assemble Panels

A199337A

Scan QR Code to Watch Video on:



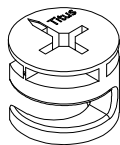
How to Tighten KD Cams



Cover Cap

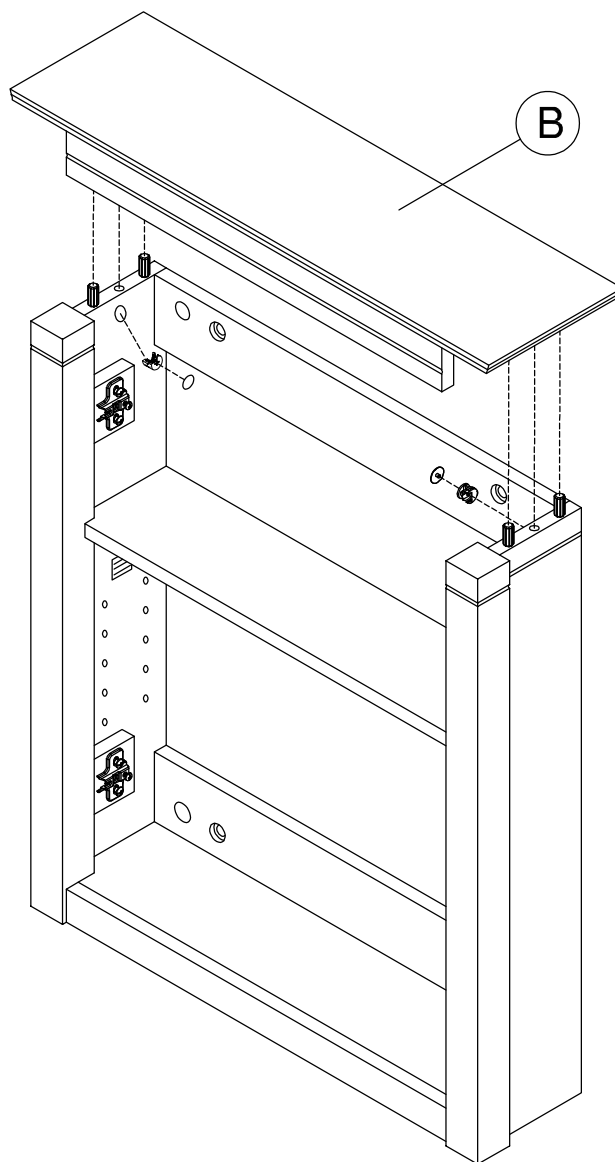
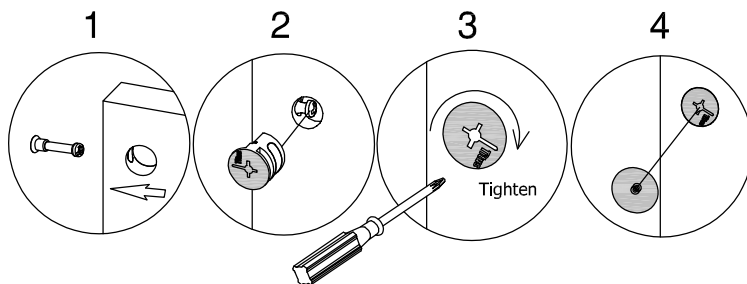
[ 2 ]

H200020



KD Cam

[ 2 ]

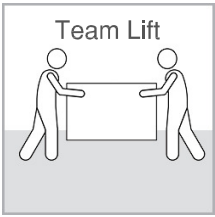


Have an assembly question or need a replacement part? Just call **1-800-950-4782**, we are here to help.

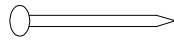
# STEP 13

# Attach Back Panel

A199337A



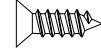
H200011



Nail

[ 8 ]

H200026

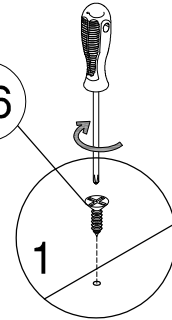


M3 X 12mm

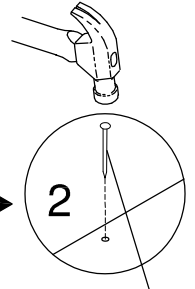
[ 8 ]

**Center the back panel so that the back panel does not stick out past the edge of the unit.**  
Centrez le panneau arrière de manière à ce qu'il ne reste pas au-delà du bord de l'appareil.  
Centre el panel posterior de modo que el panel posterior no se pegue más allá del borde de la unidad.

H200026

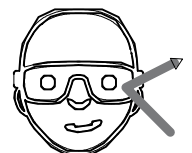
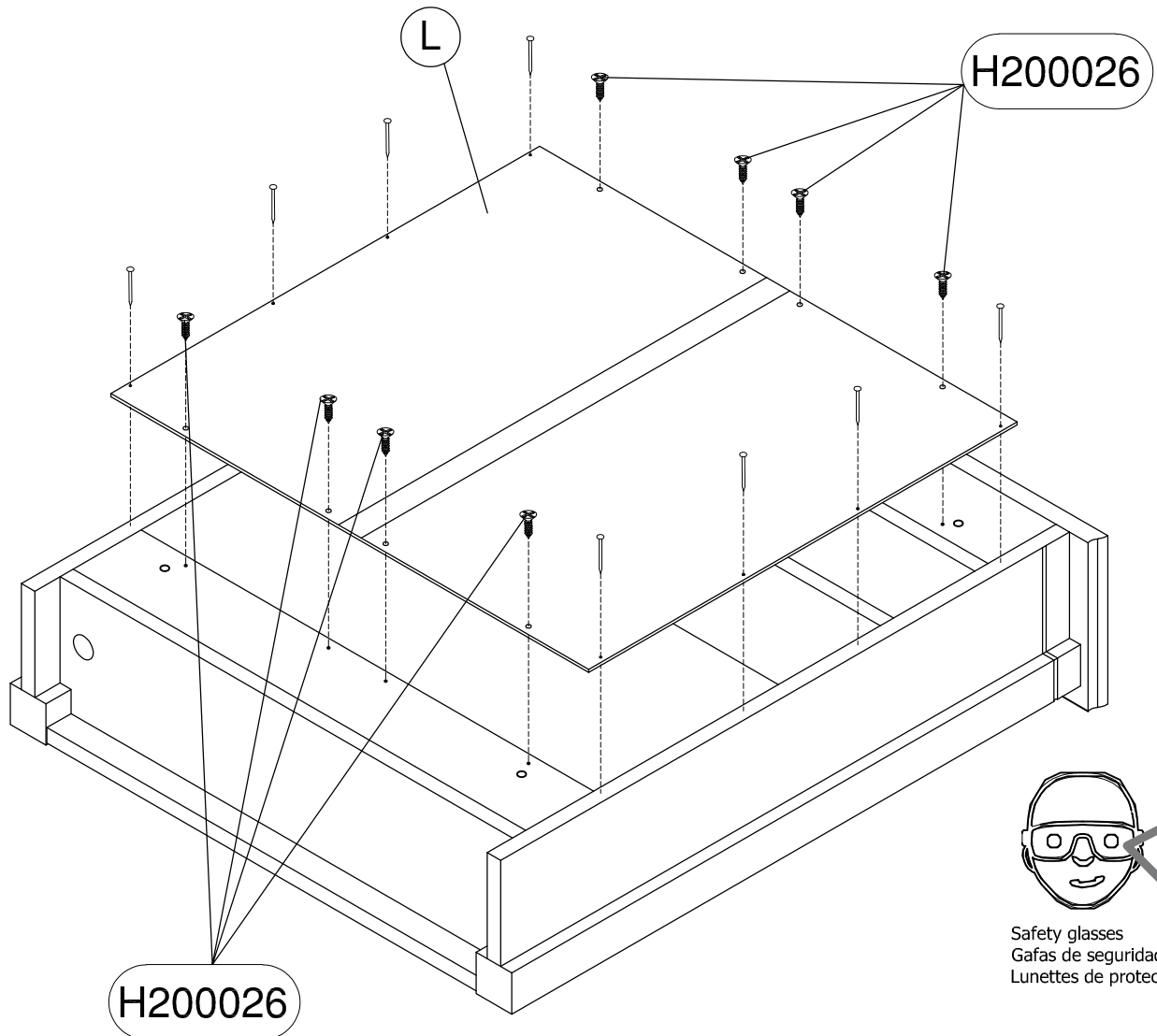


1



2

H200011



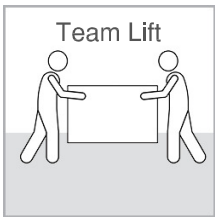
Safety glasses  
Gafas de seguridad  
Lunettes de protection

Have an assembly question or need a replacement part? Just call  
**1-800-950-4782**, we are here to help.

Scan QR Code to  
Watch Video on:



Wall Mounted  
Cabinet Attachment  
to Wall Studs



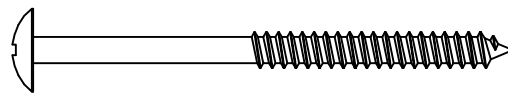
Cabinet is predrilled for wall mounting and can attach directly to wood wall studs or a hollow wall.

You may need to use both wall stud and hollow-wall anchors provided.

Procedure:

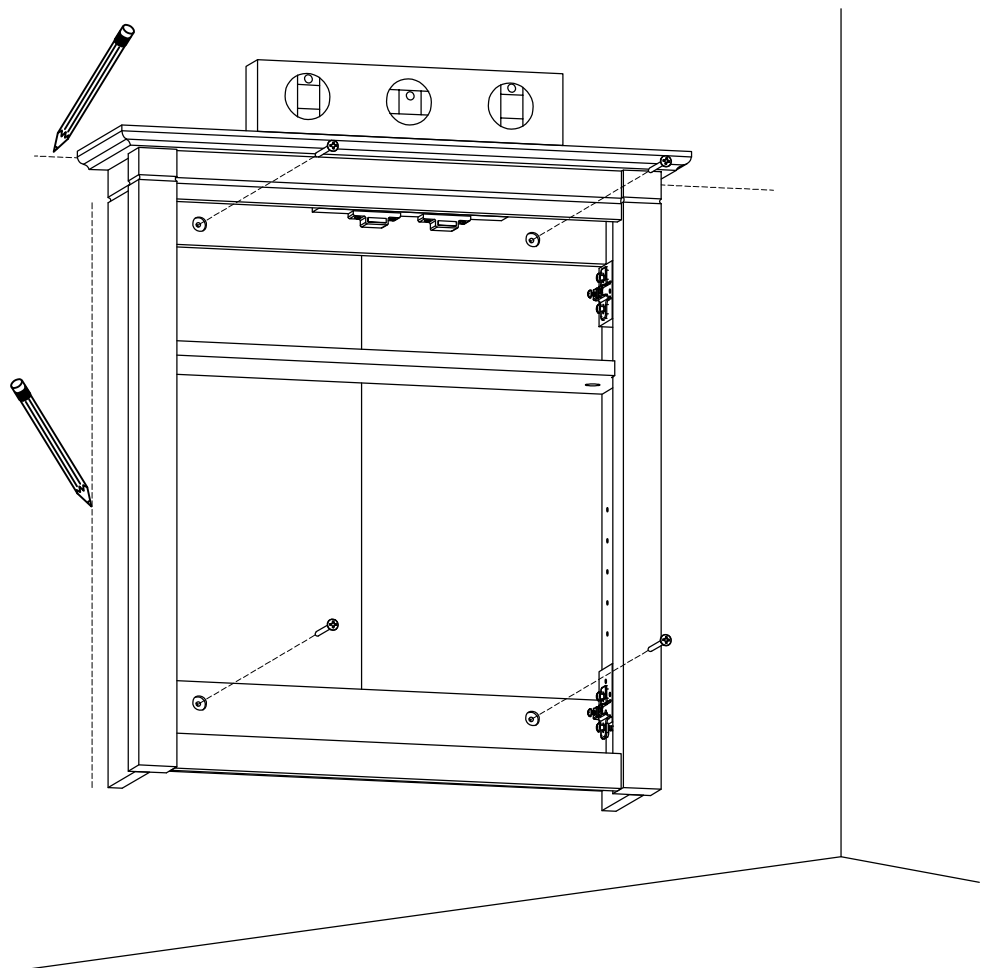
1. Place cabinet in the desired final location.
2. With a helper to hold the cabinet in position, verify the cabinet is level.
3. Lightly mark wall at top and side of cabinet.
4. Insert #10 x 2.5" screw (H194297) into (4) mounting holes and push firmly or tap lightly with hammer to mark wall for drilling.
5. Set cabinet aside

H194287



[ 4 ]

# 10 X 2.5 "

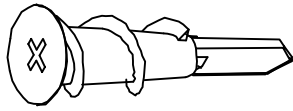


Have an assembly question or need a replacement part? Just call  
**1-800-950-4782**, we are here to help.

NOTE: There may be plumbing or electrical lines in the walls of residential dwellings. Care must be taken when drilling into walls. If you are not confident in your installation abilities, please consult an installation professional.

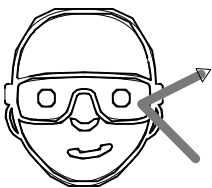
1. Mark hole locations with pencil.
2. At marked locations, drill (4) 1/8" (3mm) holes just through hollow wall 1/2 to 3/4" (12-19mm) deep or 2" (50mm) deep if wood stud is encountered.
3. Make note on diagram below if a wall stud is encountered during this step. Hollow wall anchor H200009 must be installed into any hole where stud was not encountered (see step 15). There may be situations where both hollow wall anchors and long-screw stud anchors are used.
4. Install Wall Anchor H200009 into holes where wall stud was not found.

H200009

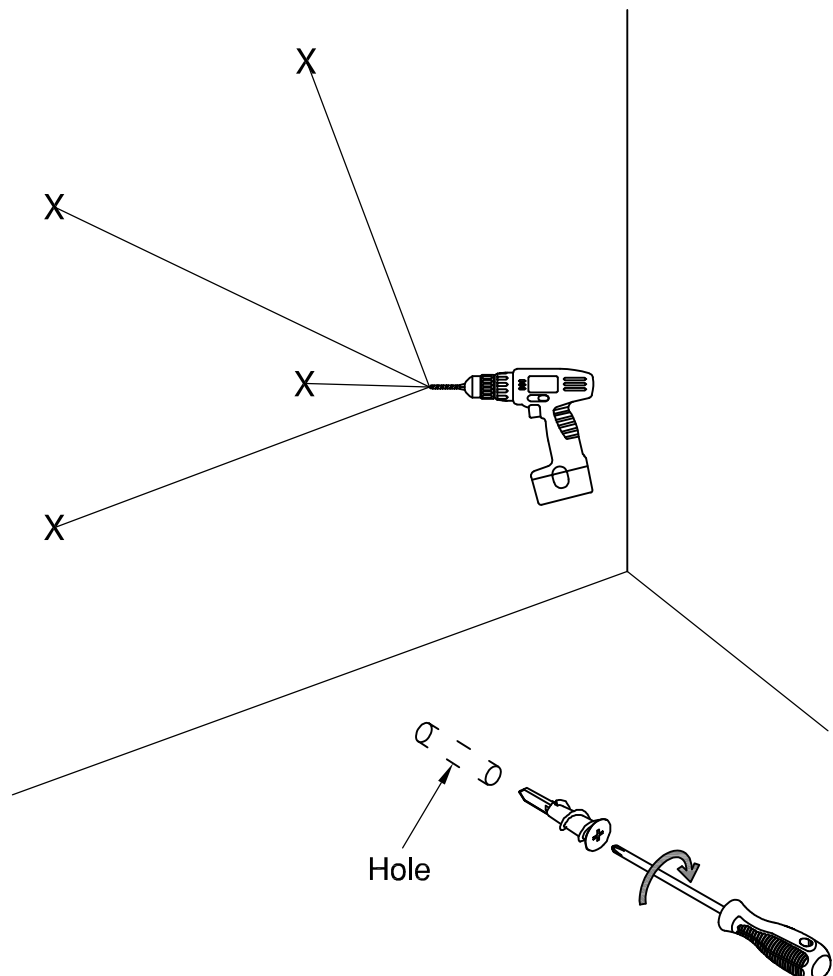


[ 4 ]

Wall Anchor



Safety glasses  
Gafas de seguridad  
Lunettes de protection

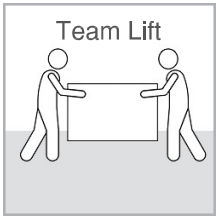


Have an assembly question or need a replacement part? Just call  
**1-800-950-4782**, we are here to help.

# STEP 16

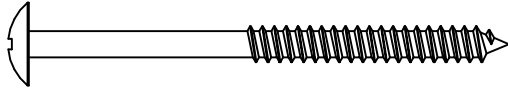
# Attach to Wall

A199337A



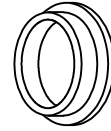
1. With assistant align cabinet with pencil marks from step 13 and drilled wall holes or wall anchors.
2. Using diagram from step 14, choose screw H194287 for holes into wall studs and screw H200043 for attachment to Wall Anchor.

H194287



[ 4 ]

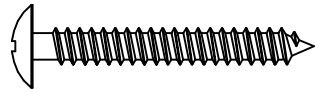
# 10 X 2.5 "



[ 4 ]

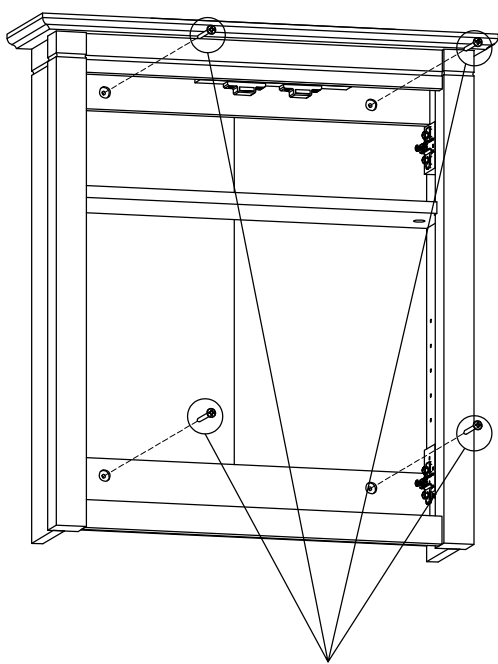
Screw Cap

H200043

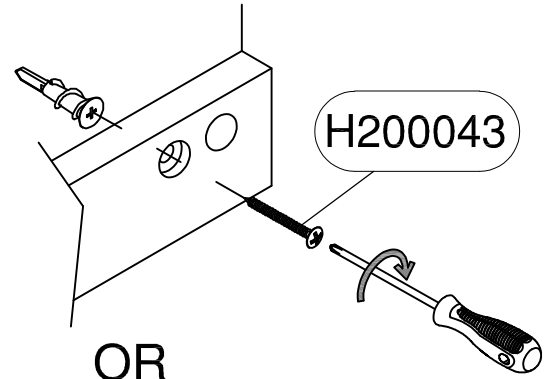


[ 4 ]

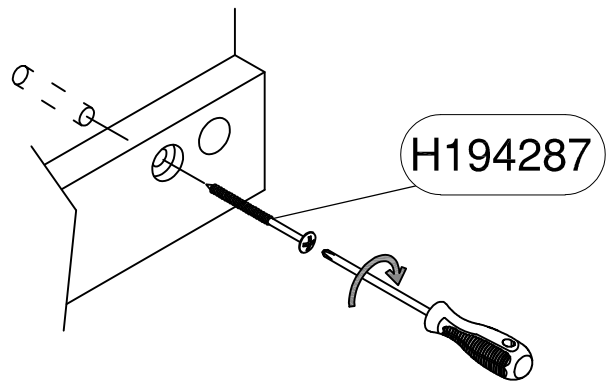
M4 X 38mm



H200043  
OR  
H194287



OR



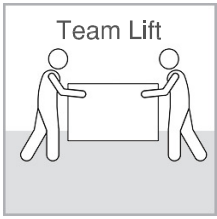
Have an assembly question or need a replacement part? Just call  
**1-800-950-4782**, we are here to help.



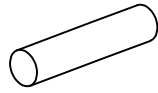
# STEP 17

# Install Shelves

A199337A

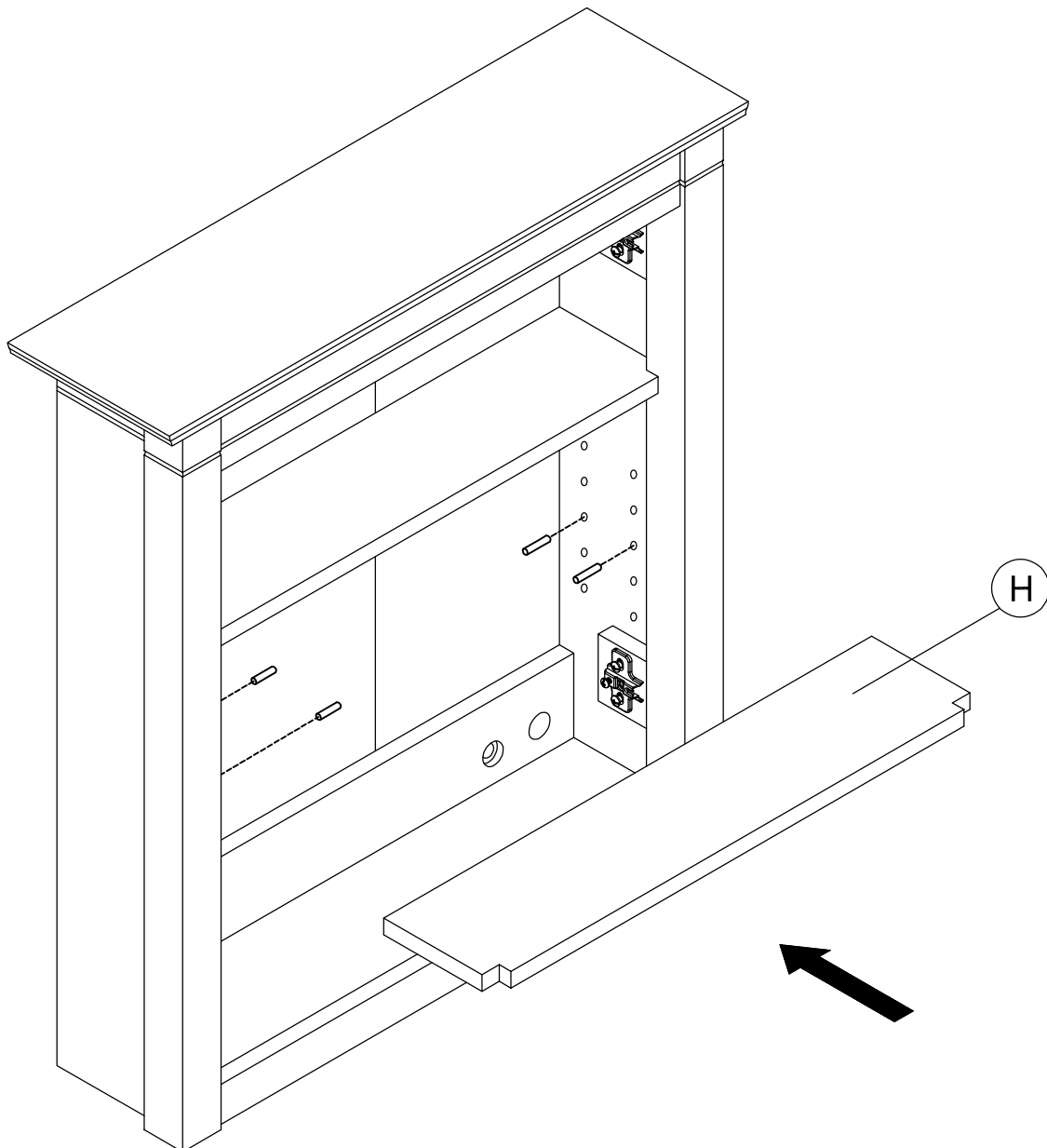


H23604



[ 4 ]

Shelf Pin  
1" x 3/16"

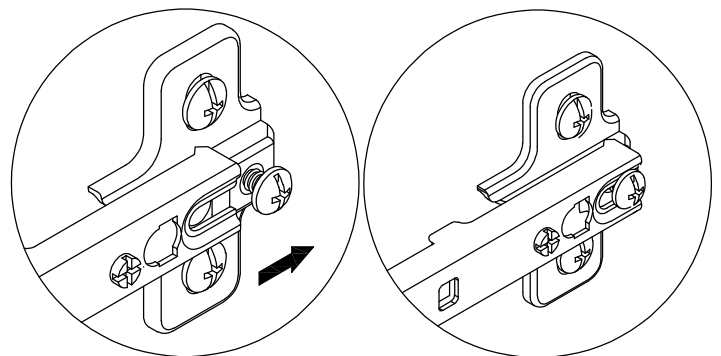
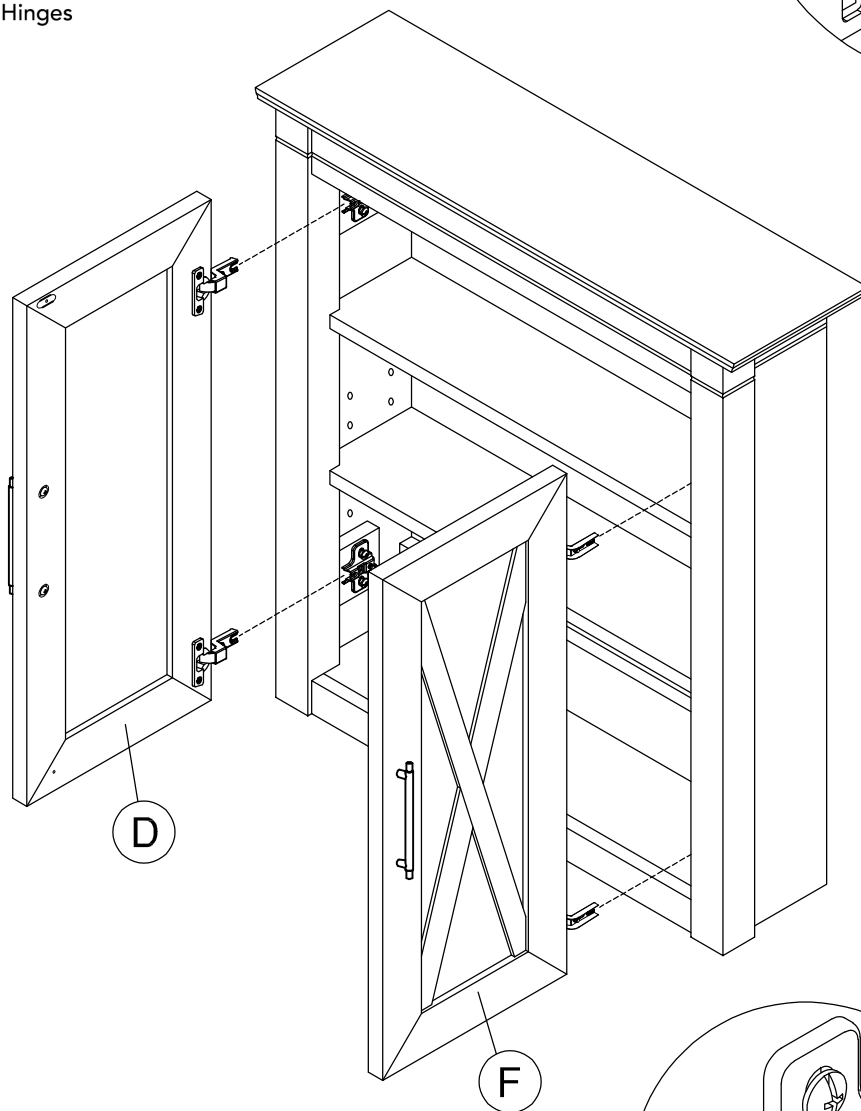
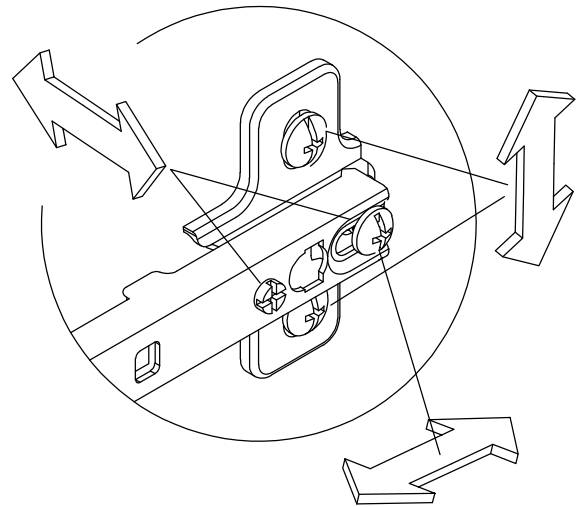


Have an assembly question or need a replacement part? Just call  
**1-800-950-4782**, we are here to help.

Scan QR Code to Watch Video on:



How to Adjust Door Hinges



Have an assembly question or need a replacement part? Just call **1-800-950-4782**, we are here to help.

# STEP 19

# Maximum Loading and Cleaning

A199337A

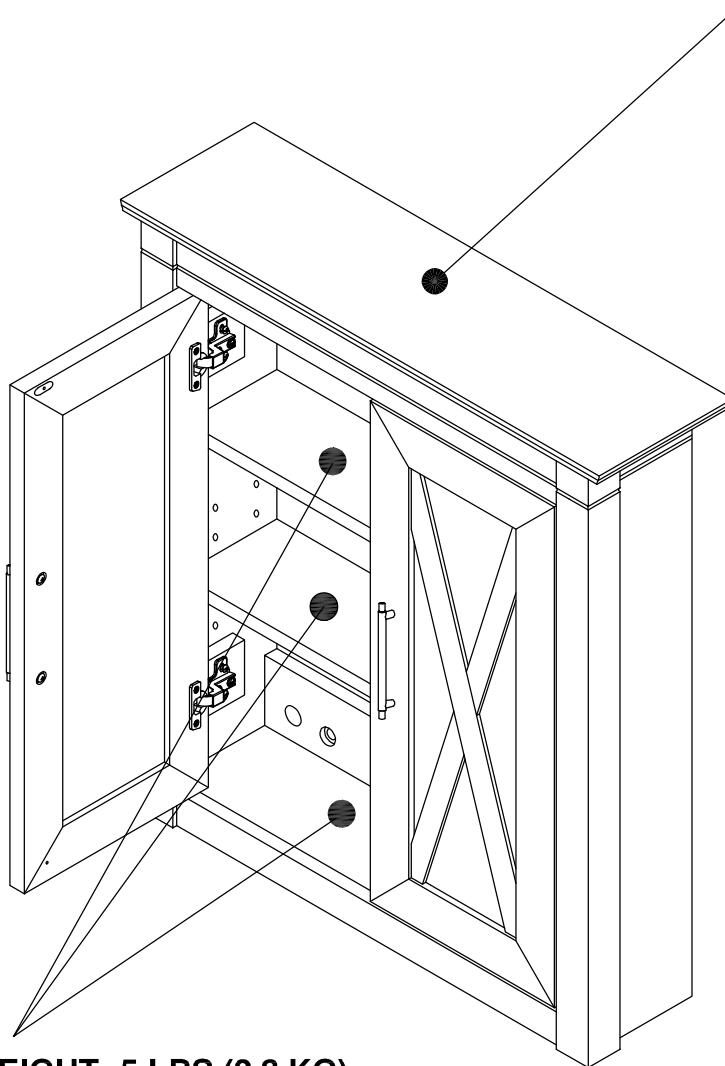
Scan QR Code to  
Watch Video on:



How to Clean  
the Surface

Gently clean  
surfaces with a damp  
sponge eraser.

**MAXIMUM WEIGHT: 0 LBS (0 KG)**  
**PESO MÁXIMO: 0 LIBRAS (0 KILOGRAMO)**  
**POIDS MAXIMUM: 0 LIVRES (0 KILOGRAMME)**



**MAXIMUM WEIGHT: 5 LBS (2.3 KG)**  
**PESO MÁXIMO: 5 LIBRAS (2.3 KILOGRAMO)**  
**POIDS MAXIMUM: 5 LIVRES (2.3 KILOGRAMME)**

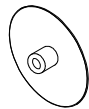
Congratulations! You are all done. If you  
have any questions or concerns, please call.

Have an assembly question or need a replacement part? Just call  
**1-800-950-4782**, we are here to help.

**KWWS124WAS**

A	[ 1 ]	W 199611	H	[ 1 ]	W 199617
B	[ 1 ]	W 199612	I	[ 2 ]	W 199626
C	[ 1 ]	S 199613	J	[ 1 ]	W 199620
D	[ 1 ]	S 199622	K	[ 1 ]	W 199621
E	[ 1 ]	W 199616	L	[ 1 ]	S 199624
F	[ 1 ]	S 199623	M	[ 1 ]	W 199625
G	[ 1 ]	S 199614			

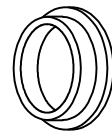
H200078



[ 21 ]

Cover Cap

H200040



[ 4 ]

Screw Cap

**KWWS124DG**

A	[ 1 ]	W 199595	H	[ 1 ]	W 199601
B	[ 1 ]	W 199596	I	[ 2 ]	W 199610
C	[ 1 ]	S 199597	J	[ 1 ]	W 199604
D	[ 1 ]	S 199606	K	[ 1 ]	W 199605
E	[ 1 ]	W 199600	L	[ 1 ]	S 199608
F	[ 1 ]	S 199607	M	[ 1 ]	W 199609
G	[ 1 ]	S 199598			

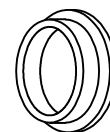
H200079



[ 21 ]

Cover Cap

H200041



[ 4 ]

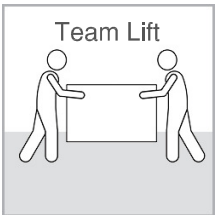
Screw Cap

Have an assembly question or need a replacement part? Just call  
**1-800-950-4782**, we are here to help.

Scan QR Code to  
Watch Video on:



Wall Mounted  
Cabinet Attachment  
to Wall Studs



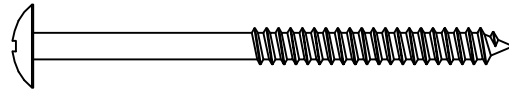
El gabinete está perforado previamente para el montaje en la pared y se puede fijar directamente a los montantes de pared de madera o una pared hueca.

Es posible que deba utilizar tanto los montantes de pared como los anclajes de pared hueca que se proporcionan.

Procedimiento:

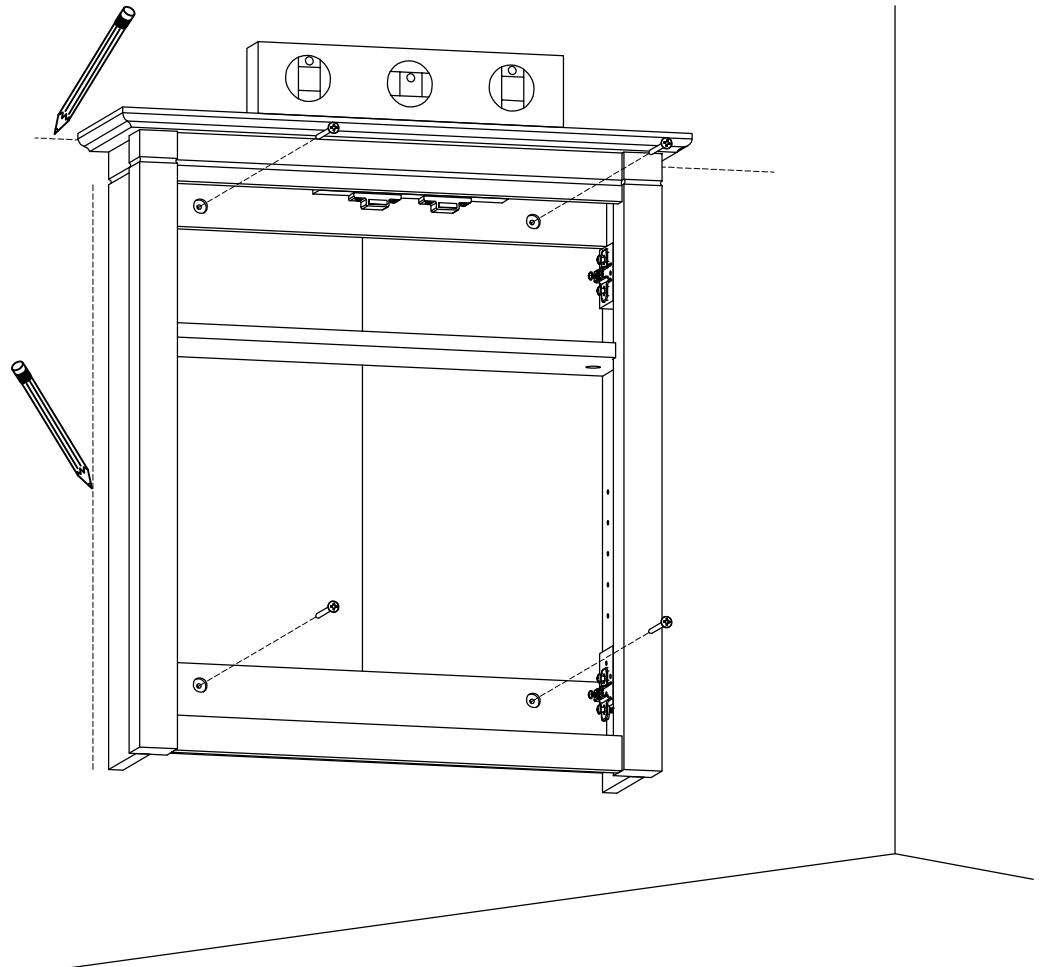
1. Coloque el gabinete en la ubicación final deseada.
2. Con un ayudante para mantener el gabinete en posición, verifique que esté nivelado.
3. Marque ligeramente la pared en la parte superior y lateral del gabinete.
4. Inserte el tornillo # 10 x 2.5 "(H194297) en los (4) orificios de montaje y presione firmemente o golpee ligeramente con un martillo para marcar la pared para perforar.
5. Ponga el gabinete a un lado

H194287



[ 4 ]

# 10 X 2.5 "

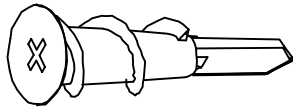


Have an assembly question or need a replacement part? Just call  
**1-800-950-4782**, we are here to help.

NOTA: Puede haber tuberías o líneas eléctricas en las paredes de las viviendas residenciales. Se debe tener cuidado al perforar paredes. Si no está seguro de sus capacidades de instalación, consulte a un instalador profesional.

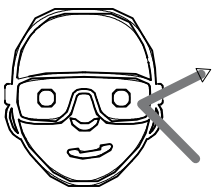
1. Marque la ubicación de los agujeros con un lápiz.
2. En las ubicaciones marcadas, taladre (4) orificios de 1/8" (3 mm) justo a través de la pared hueca de 1/2 a 3/4" (12-19 mm) de profundidad o 2" (50 mm) de profundidad si se encuentran montantes de madera.
3. Tome nota en el diagrama a continuación si se encuentra un montante de pared durante este paso. El anclaje de pared hueca H200009 debe instalarse en cualquier orificio donde no se encuentre el montante (consulte el paso 23). Puede haber situaciones en las que se utilicen tanto anclajes de pared huecos como anclajes de perno prisionero de tornillo largo.
4. Instale el anclaje de pared H200009 en los orificios donde no se encontró el montante de pared.

H200009

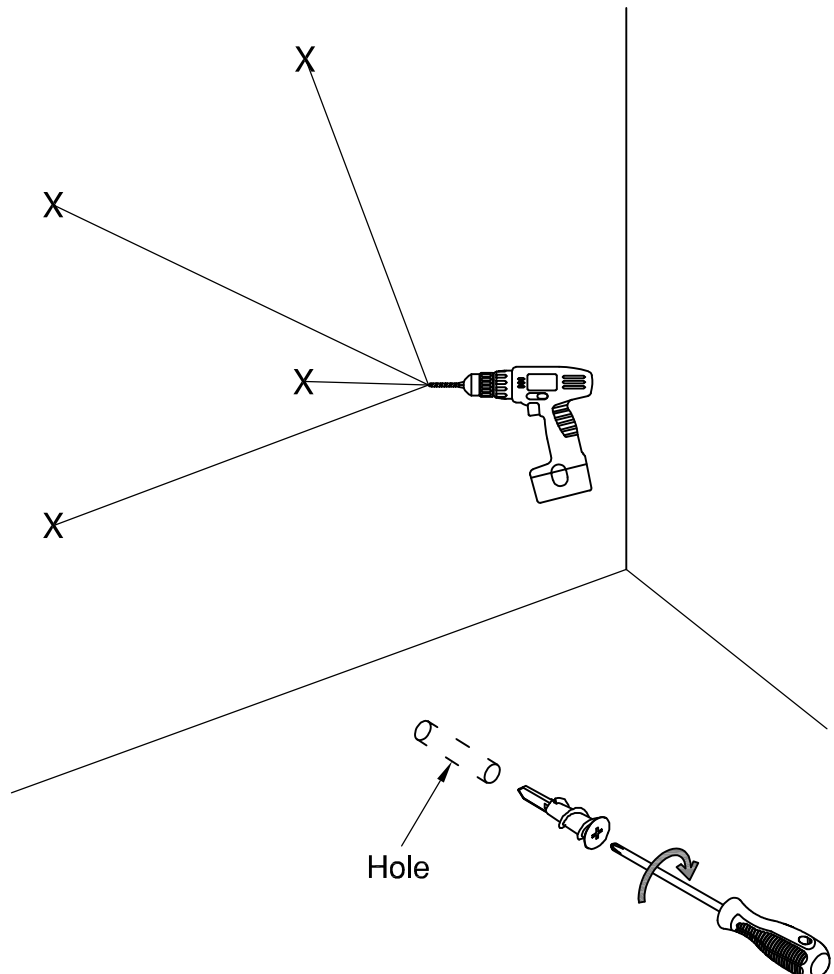


[ 4 ]

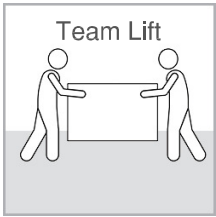
Wall Anchor



Safety glasses  
Gafas de seguridad  
Lunettes de protection

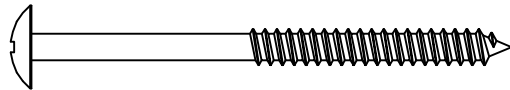


Have an assembly question or need a replacement part? Just call  
**1-800-950-4782**, we are here to help.



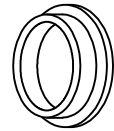
1. Con el asistente, alinee el gabinete con las marcas de lápiz del paso 21 y taladre orificios o anclajes de pared.
2. Usando el diagrama del paso 22, elija el tornillo H194287 para los agujeros en los montantes de la pared y el tornillo H200043 para fijarlo al anclaje de la pared.

H194287



[ 4 ]

# 10 X 2.5 "



[ 4 ]

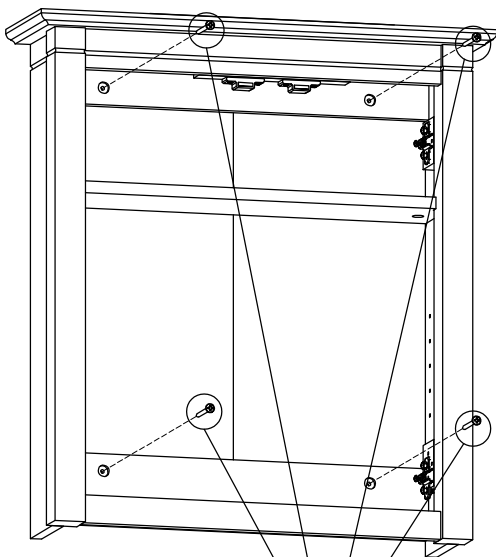
Screw Cap

H200043

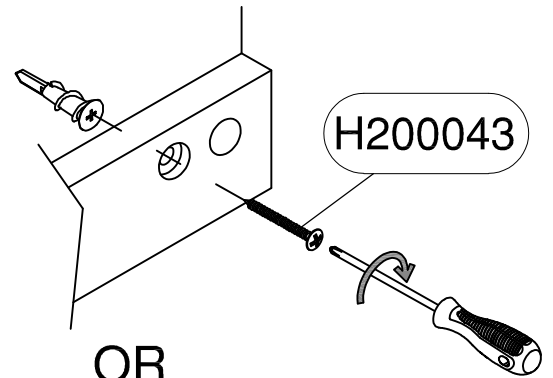


[ 4 ]

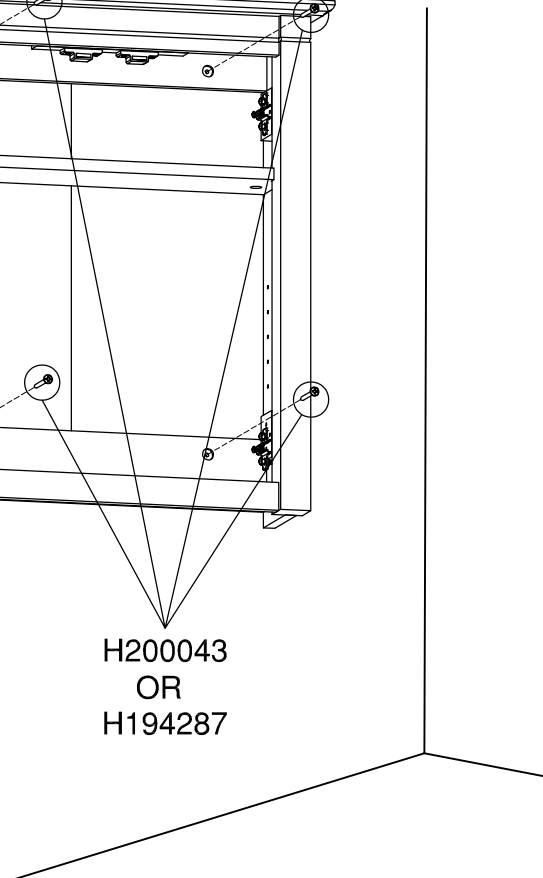
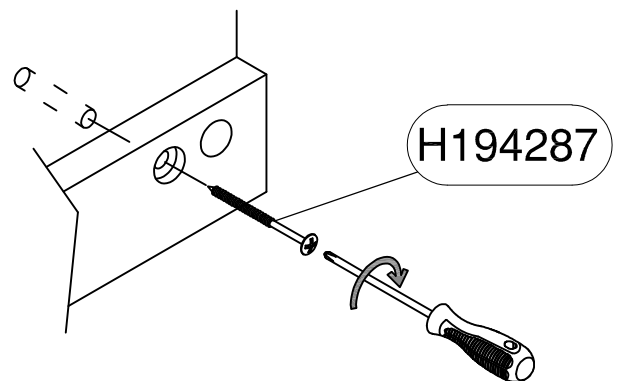
M4 X 38mm



H200043  
OR  
H194287



OR

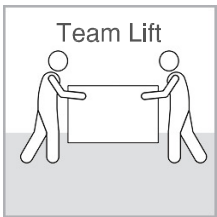


Have an assembly question or need a replacement part? Just call  
**1-800-950-4782**, we are here to help.

Scan QR Code to  
Watch Video on:



Wall Mounted  
Cabinet Attachment  
to Wall Studs

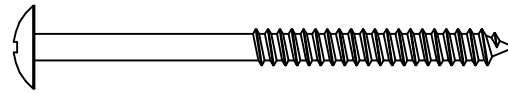


L'armoire est pré-percée pour un montage mural et peut se fixer directement sur des montants muraux en bois ou un mur creux. Vous devrez peut-être utiliser à la fois les chevilles murales et les ancrages pour murs creux fournis.

Procédure:

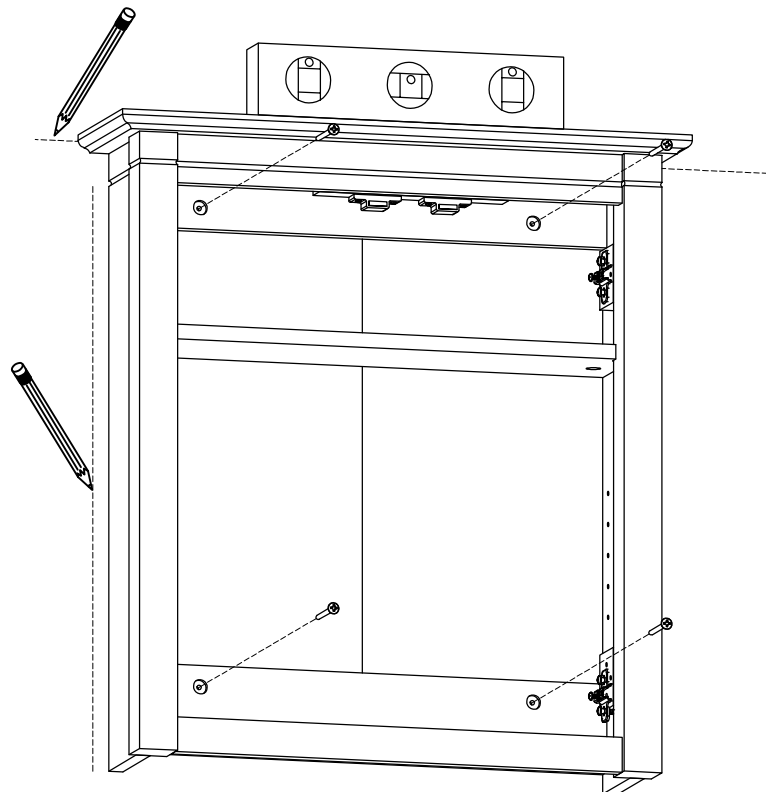
1. Placez l'armoire à l'emplacement final souhaité.
2. Avec une aide pour maintenir l'armoire en position, vérifiez qu'elle est de niveau.
3. Marquez légèrement le mur en haut et sur le côté de l'armoire.
4. Insérez la vis # 10 x 2,5 "(H194297) dans les (4) trous de montage et poussez fermement ou tapotez légèrement avec un marteau pour marquer le mur pour le perçage.
5. Mettez l'armoire de côté

H194287



[ 4 ]

# 10 X 2.5 "



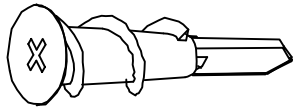
Have an assembly question or need a replacement part? Just call  
**1-800-950-4782**, we are here to help.



REMARQUE: Il peut y avoir de la plomberie ou des lignes électriques dans les murs des habitations résidentielles. Des précautions doivent être prises lors du perçage dans les murs. Si vous n'êtes pas sûr de vos capacités d'installation, veuillez consulter un professionnel de l'installation.

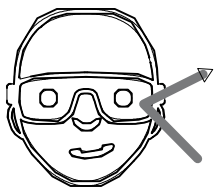
1. marquez les emplacements des trous avec un crayon.
2. Aux endroits marqués, percez (4) trous de 1/8 "(3 mm) juste à travers le mur creux de 1/2 à 3/4" (12-19 mm) de profondeur ou 2 "(50 mm) de profondeur si un montant de bois est rencontré.
3. Notez sur le schéma ci-dessous si un montant mural est rencontré pendant cette étape. L'ancrage pour mur creux H200009 doit être installé dans tout trou où aucun montant n'a été rencontré (voir l'étape 26). Il peut y avoir des situations où des ancrages de mur creux et des ancrages de goujon à vis longues sont utilisés.
4. Installez l'ancrage mural H200009 dans les trous où le montant du mur n'a pas été trouvé.

H200009

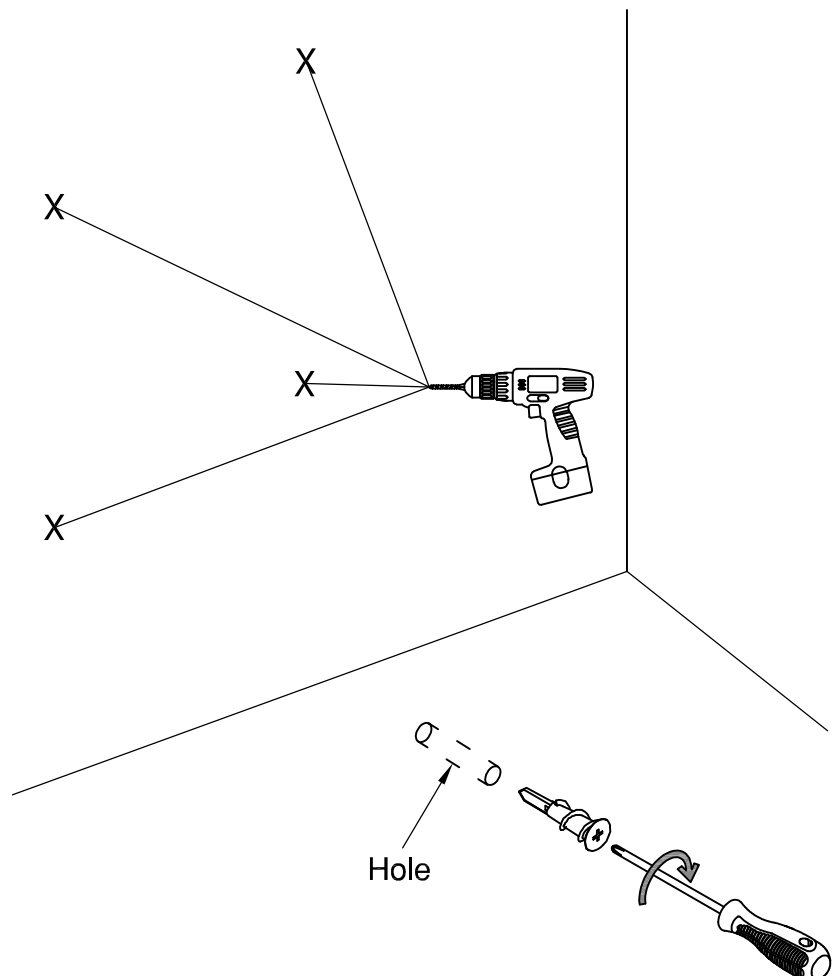


[ 4 ]

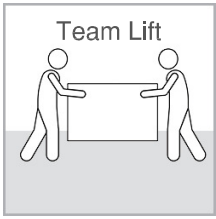
Wall Anchor



Safety glasses  
Gafas de seguridad  
Lunettes de protection

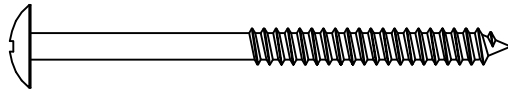


Have an assembly question or need a replacement part? Just call  
**1-800-950-4782**, we are here to help.



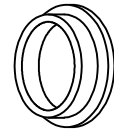
1. Avec l'assistant, alignez l'armoire avec les marques de crayon de l'étape 24 et percez des trous ou des ancrages muraux.
2. À l'aide du diagramme de l'étape 25, choisissez la vis H194287 pour les trous dans les montants muraux et la vis H200043 pour la fixation à l'ancrage mural.

H194287



[ 4 ]

# 10 X 2.5 "



[ 4 ]

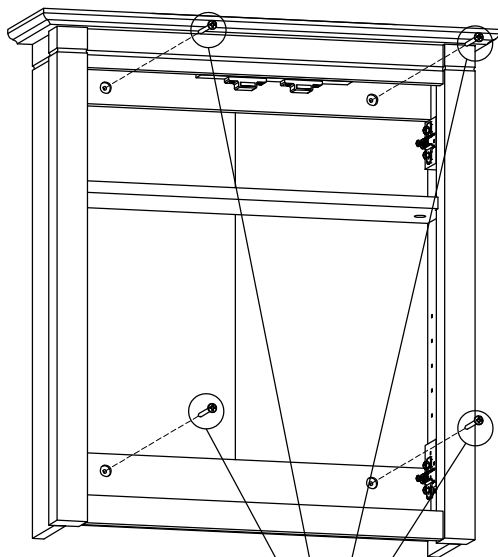
Screw Cap

H200043

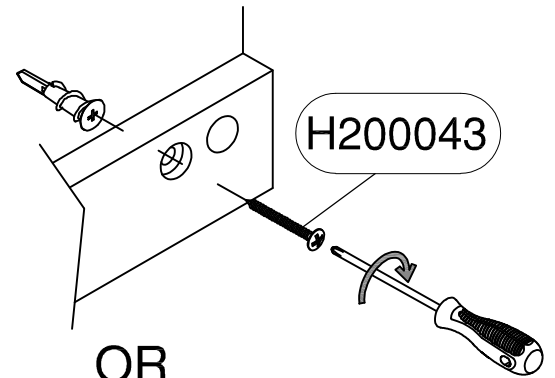


[ 4 ]

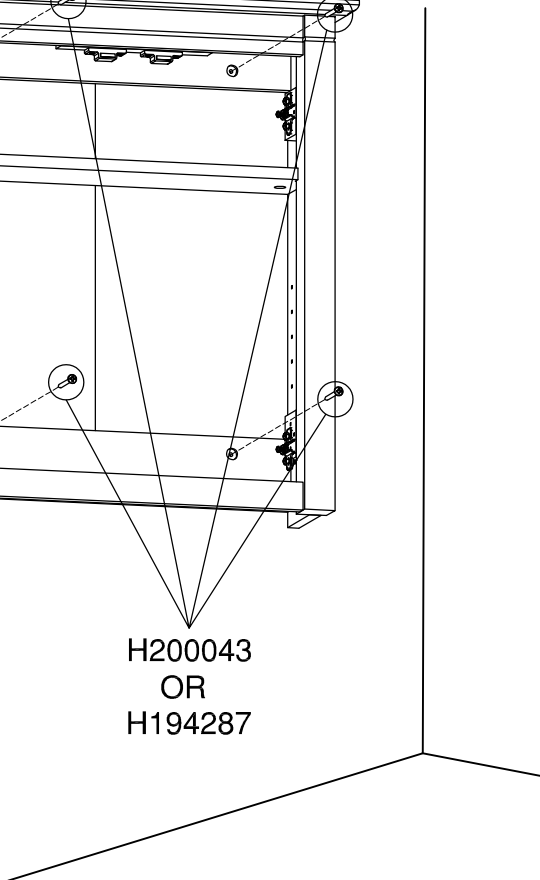
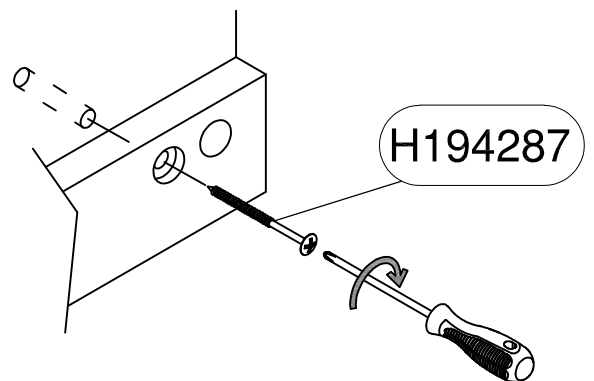
M4 X 38mm



H200043  
OR  
H194287



OR



Have an assembly question or need a replacement part? Just call  
**1-800-950-4782**, we are here to help.

**THIS PAGE INTENTIONALLY LEFT BLANK**

# WARRANTY INFORMATION/INFORMATIONS POUR LA GARANTIE/INFORMACIÓN DE GARANTÍA

## BUSH FURNITURE'S WRITTEN WARRANTY TO YOU

In order to provide you with timely assistance, please thoroughly inspect your furniture for missing or defective parts immediately after opening the carton. To receive replacement or missing parts under this warranty, call our Consumer Service Department TOLL-FREE at 1-800-950-4782. Please have the Model, Part, and Lot Numbers found in the instruction manual available for your reference. You will also need your sales receipt or other proof of purchase. Replacement part(s) will be shipped to you at no charge with Bush Industries assuming all shipping and handling charges.

This Bush Furniture product is warranted to the original purchaser at the time of purchase and for a period of one year thereafter.

We warrant to you, the original purchaser, that our furniture and all its parts and components are free of defects in material or workmanship. "Defects," as used in this warranty, is defined as any imperfection which impairs the use of the furniture product.

Our warranty is expressly limited to the replacement of furniture parts and components. For one year after the date of purchase, Bush will replace any parts that are defective in material or workmanship.

This warranty applies under conditions of normal use. Our Bush Furniture products are not intended for outdoor use. This warranty does not cover: 1) defects caused by improper assembly or disassembly; 2) defects occurring after purchase due to product modification, intentional damage, accident, misuse, abuse, negligence or exposure to the elements; and 3) labor or assembly costs. 4) batteries are not included.

IMPLIED WARRANTIES, INCLUDING THE WARRANTY OF MERCHANTABILITY, SHALL NOT EXTEND BEYOND THE DURATION OF THE WRITTEN WARRANTY STATED ABOVE, AND IN NO EVENT SHALL BUSH BE LIABLE FOR INCIDENTAL OR CONSEQUENTIAL DAMAGES RESULTING FROM USE OF THE PRODUCT. Some states do not allow a limitation on how long an implied warranty lasts or the exclusion or limitation of incidental or consequential damages, so the above limitation and exclusion may not apply to you.

This warranty gives you specific legal rights. You may also have other rights that may vary from state to state.

## VOTRE GARANTIE BUSH FURNITURE

Afin de vous assister rapidement, veuillez inspecter votre mobilier en détail immédiatement après l'ouverture du carton en cas de pièces manquantes ou défectueuses. Pour recevoir une pièce de rechange ou manquante couverte par cette garantie, appelez notre département de service clientèle GRATUITEMENT au 1-800-950-4782. Veuillez tenir à disposition les numéros de modèle, de pièce et de lot qui se trouvent dans le manuel d'instruction pour votre référence. Vous aurez également besoin de votre reçu ou d'une autre preuve d'achat. La (les) pièce(s) de rechange vous sera (seront) envoyée(s) sans frais, Bush Industries se chargeant de tous les frais d'expédition.

Tout le produit Bush Furniture est garanti à l'acheteur original à partir de la date d'achat pour une période d'un an.

Nous vous garantissons, à vous l'acheteur original, que notre mobilier et toutes ses pièces et composants sont sans défaut de matériau ou de fabrication. Le terme "défauts" utilisé dans cette garantie, est défini comme étant toutes les imperfections qui compromettent l'utilisation du meuble.

Notre garantie est expressément limitée au remplacement des pièces et des composants du mobilier. Pendant un an après la date d'achat, Bush remplacera toute pièce défectueuse dans le matériau ou sa fabrication.

Cette garantie d'applique sous des conditions d'utilisation normale. Nos produits ne sont pas destinés à être utilisés en plein air. Cette garantie ne couvre pas: 1) les défauts causés par un mauvais assemblage ou démontage, 2) les défauts ayant lieu après l'achat et dus à la modification du produit, des dommages intentionnels, des accidents, une mauvaise utilisation, un mauvais traitement, la négligence ou l'exposition aux éléments, et 3) les frais de main d'œuvre ou d'assemblage. 4) les piles ne sont pas incluses.

LES GARANTIES TACITES, Y COMPRIS LA GARANTIE DE QUALITE MARCHANDE, NE S'ETENDRONT PAS AU-DELA DE LA DUREE ECRITE CITEE CI-DESSUS, ET BUSH NE SERA EN AUCUN CAS RESPONSABLE DES DOMMAGES ACCESSOIRES OU INDIRECTS RESULTANT DE L'UTILISATION DU PRODUIT. Certains états ne permettent pas d'appliquer une limite à la durée de la garantie tacite, ni une exclusion ou limitation des dommages accessoires ou indirects; dans ce cas les limitations ou exclusion ci-dessus peuvent ne pas s'appliquer à vous.

Cette garantie vous donne des droits légaux spécifiques. Il se peut que vous ayez également d'autres droits qui peuvent varier d'un état à l'autre.

## GARANTIA ESCRITA DE BUSH FURNITURE PARA USTED

Para brindarle asistencia oportuna, por favor, verifique detalladamente que a su mueble no le falte o tenga piezas defectuosas inmediatamente después de abrir la caja. Para recibir un reemplazo o la parte faltante bajo esta garantía, llame a nuestro Departamento de Servicio al Consumidor GRATIS al 1-800-950-4782. Sírvase traer los números de modelo, parte y lote que se encuentran en el manual de instrucciones disponible para su referencia. Además, necesitará el recibo de su compra u otra prueba de compra. La(s) pieza(s) de reemplazo le será(n) enviada(s) sin recargo por Bush Industries asumiendo los gastos de envío y manipuleo.

Todo mueble de Bush Furniture es garantizado al comprador original al momento de la compra y por un periodo de uno año en adelante.

Le garantizamos a usted, el comprador original, que nuestros muebles sus partes y componentes están libres de defectos en materiales o trabajo. "Defectos", según se usa en esta garantía, se define como una imperfección que perjudica el uso del producto mobiliario.

Nuestra garantía se limita expresamente al reemplazo de partes y componentes mobiliarios. Durante uno año después de la fecha de compra, Bush reemplazará cualquier parte defectuosa en material o trabajo.

Esta garantía se aplica bajo condiciones de uso normal. Nuestros productos de Bush Furniture no son para uso en exteriores. Esta garantía no cubre: 1) defectos causados por un ensamblaje o desensamblaje inadecuado; 2) defectos que ocurran después de la compra debido a modificación del producto, daño intencional, accidente, mal uso, abuso, negligencia o exposición a los elementos; y 3) costos de trabajo o ensamblaje. 4) las baterías no están incluidas.

LAS GARANTÍAS IMPLICADAS, INCLUYENDO LA GARANTÍA DE COMERCIABILIDAD, NO SE EXTENDERÁN MÁS ALLÁ DE LA DURACIÓN DE LA GARANTÍA ESCRITA MENCIONADA, Y EN NINGÚN CASO BUSH SERÁ RESPONSABLE POR DAÑOS INCIDENTALES O CONSIGUIENTES COMO RESULTADO DEL USO DEL PRODUCTO. Algunos estados no permiten una limitación sobre el tiempo de duración de la garantía implicada o la exclusión o limitación de daños incidentales o consiguientes, de manera que la limitación y exclusión mencionadas pueden no aplicarse para usted.

Esta garantía le otorga derechos legales específicos. Puede también tener otros derechos que pueden variar según los estados.

**1-Year**  
Manufacturer's  
Warranty

### Register your product online:

Scan the QR Code or go to  
[https://bushfurniture.com/  
activate-warranty/](https://bushfurniture.com/activate-warranty/)



### Assembly tips & how to videos:

Scan the QR Code to access our video  
guides [https://bushfurniture.com/  
help-faq/#assembling](https://bushfurniture.com/help-faq/#assembling)

