

# RIVA MIRROR

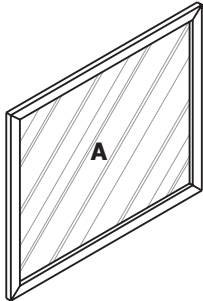
## ASSEMBLY INSTRUCTIONS



### PARTS AND FITTING PACKAGING DETAIL

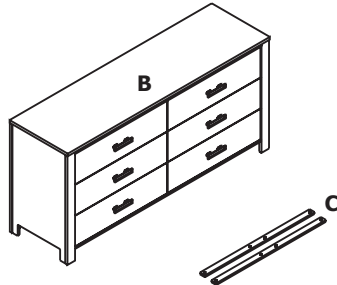
#### BOX #1

A. MIRROR 1 PC



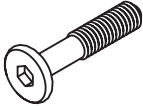
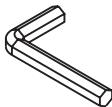
#### BOX #2\*

B. 6 DRAWER DRESSER 1 PC  
C. MIRROR SUPPORT 2 PCS  
HARDWARE IN PLASTIC POUCH



\*SOLD SEPARATELY

#### HARDWARE PACKED IN BOX #2

1	ALLEN BOLT 30MM	8 PCS
		
2	ALLEN KEY	1 PC
		

## WARNING

FOR YOUR SAFETY AND CONVENIENCE  
ASSEMBLY BY TWO PEOPLE IS RECOMMENDED

### OPTION 1

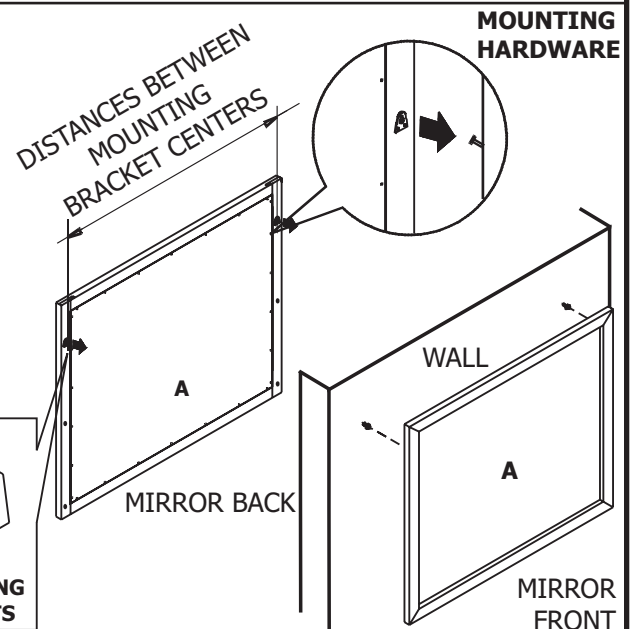
#### FIXING MIRROR ON TO WALL

PRE-INSTALLED MIRROR BRACKETS ARE TEARDROP SHAPED. TEST CONNECTION BETWEEN MIRROR BRACKETS AND MOUNTING HARDWARE BEFORE INSTALLATION FOR A SECURE FIT.

INSTALL MOUNTING HARDWARE ON THE WALL. MAKE SURE THE DISTANCE BETWEEN MOUNTING HARDWARE CENTERS ON THE WALL MATCHES THE DISTANCE BETWEEN BRACKET CENTERS ON THE MIRROR.

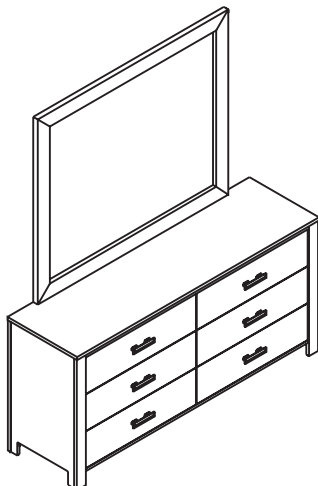
**CAUTION: WE RECOMMEND INSTALLING MOUNTING HARDWARE IN WALL STUDS OR A BOARD THAT IS SECURED TO STUDS. CONSULT A PROFESSIONAL INSTALLER BEFORE INSTALLING IN DRYWALL.**

HANG THE MIRROR FROM THE MOUNTING HARDWARE. ENSURE THE TEARDROP BRACKETS HAVE CAUGHT THE MOUNTING HARDWARE.



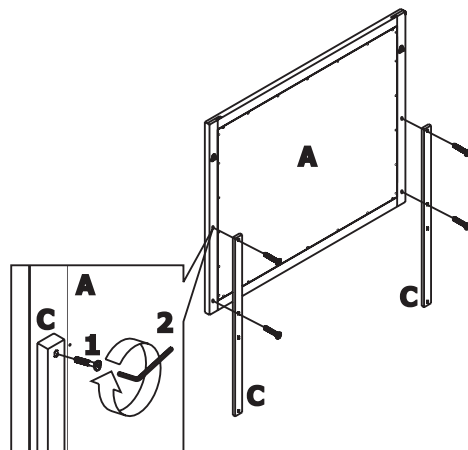
### OPTION 2

#### FIXING MIRROR ON TO 6 DRAWER DRESSER



#### STEP 1 :

USE PILOT HOLES AS REFERENCE TO CONNECT MIRROR (A) & MIRROR SUPPORT (C) USING ALLEN BOLTS (1). TIGHTEN THE BOLTS USING ALLEN KEY (2). REPEAT THE STEP FOR SECOND MIRROR SUPPORT.



#### STEP 2 :

FOLLOW THE ILLUSTRATION TO FIX MIRROR (A) TO 6 DRAWER DRESSER (B) USING ALLEN BOLTS (1) ON MIRROR SUPPORT FROM BACK SIDE, USE PILOT HOLES AS REFERENCE FOR EASY ASSEMBLY. TIGHTEN THE BOLTS USING ALLEN KEY (2).

