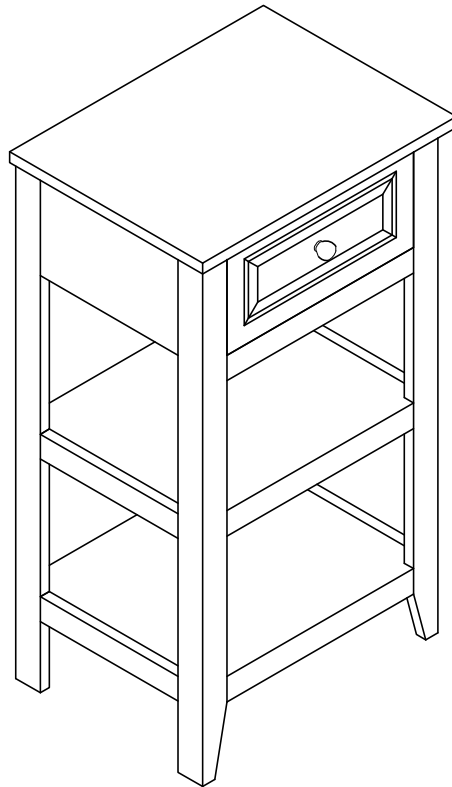


# ASSEMBLY INSTRUCTIONS

## Floor Cabinet w/1Dw



Please provide the following information when contacting for parts or questions: the name of the company you purchased from, the UPS/FedEx tracking number.

This product comes with a 1 year warranty. Products purchased second hand/used are not covered under the warranty.

### ASSEMBLY INSTRUCTIONS-IMPORTANT

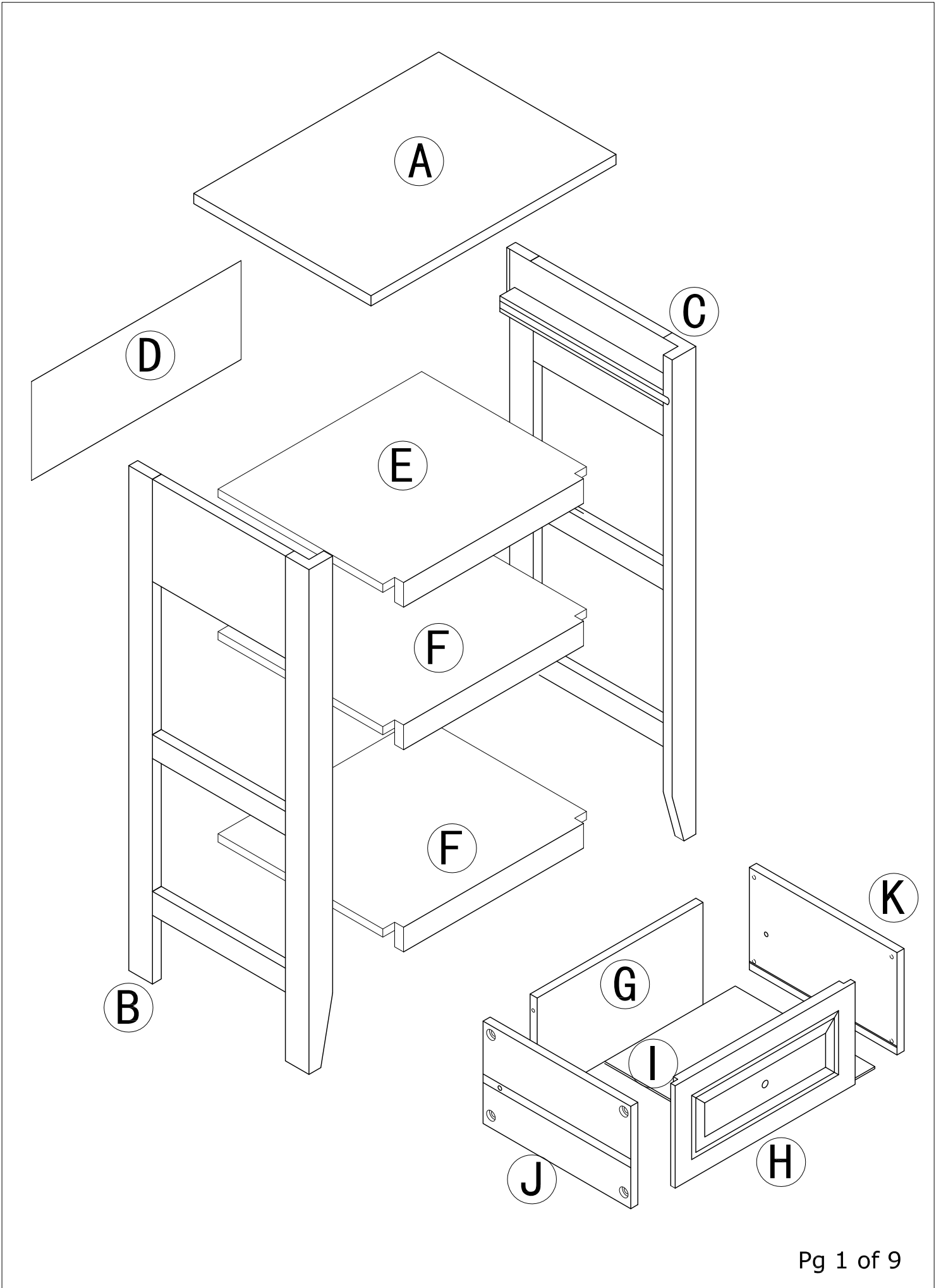
Carefully unpack & identify each component before attempting to assemble. Refer to parts list. Please take care when assembling the unit and always set the parts on a clean, soft surface. If you require any assistance with assembly, parts, please call the company you place order with or please email to: [service@eleganthf.net](mailto:service@eleganthf.net)

### INSTRUCCIONES PARA ARMAR-IMPORANT:


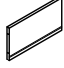
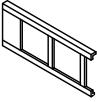

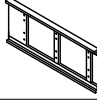
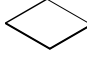
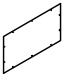
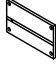
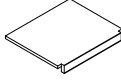
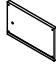
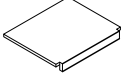
Desempaque cuidadosamente e identifique cada componente antes de tartar de empezar su ensambladura. Verifique la lista de partes. Por favor tenga cuidado cuando arme la unidad y siempre coloque las piezas sobre una superficie plana, suave y limpia. Si necesita ayuda con el armado, envíe un correo electzórico a [service@eleganthf.net](mailto:service@eleganthf.net)

### DIRECTIVES DE MONTAGE-IMPORTANT:

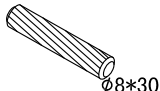
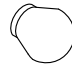
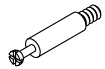

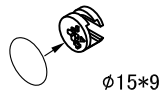
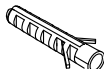


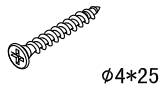


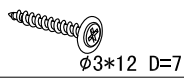

Avant de commencer l' assemblage, déballez délicatement toutes les pièces et repérez-les sur la liste des pièces. Procédez avec soins durant l' assemblage et posez toujours les pièces sur une surface proper, douce et lisse. sie vouo plait e-mail á [service@eleganthf.net](mailto:service@eleganthf.net)



# COMPONENTS

PART	FIGURE	DESCRIPTION	QTY	PART	FIGURE	DESCRIPTION	QTY
A		TOP PANEL	1PC	G		DRAWER BACK PANEL	1PC
B		LEFT SIDE FRAME	1PC	H		DRAWER FACE PANEL	1PC
C		RIGHT SIDE FRAME	1PC	I		DRAWER BOTTOM PANEL	1PC
D		BACK PANEL	1PC	J		DRAWER LEFT SIDE PANEL	1PC
E		DRAWER SHELF	1PC	K		DRAWER RIGHT SIDE PANEL	1PC
F		FIXED SHELF	2PCS				

# HARDWARE & TOOLS

PART	FIGURE	DESCRIPTION	QTY	PART	FIGURE	DESCRIPTION	QTY
1		WOODEN DOWEL	16PCS	8		KNOB	1 PC
2		CAM BOLT	16PCS	9		SCREW	2 PCS
3		SMALL CAM LOCK	12PCS	10		ANCHOR	1 PC
4		BIG CAM LOCK	4 PCS	11		WASHER	2 PCS
5		SCREW	8 PCS	12		FIX BELT	1 PC
6		DRAWER STOPPER	2 PCS	13		SCREW	10PCS
7		KNOB BOLT	1 PC				

## TOOL NEEDED:



**PHILIPS SCREWDRIVER REQUIRED  
- NOT INCLUDED**

## SUGGESTION:



**TWO PEOPLE FOR ASSEMBLING**



## WARNINGS:

1. DO NOT LET ANY SHARP OBJECTS TOUCH OR RUB THE SURFACE OF THE PRODUCT.
2. WHEN ASSEMBLING, DO NOT LET CHILDREN PLAY AROUND THE WORKING AREA.
3. PLEASE CONFIRM ALL PARTS ARE CORRECT BEFORE STARTING THE ASSEMBLY PROCESS.
4. DO NOT TIGHTEN ALL BOLTS AND SCREWS COMPLETELY UNTIL THE ENTIRE UNIT HAS BEEN ASSEMBLED AND SET UP.

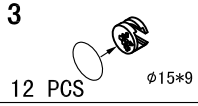
# 1



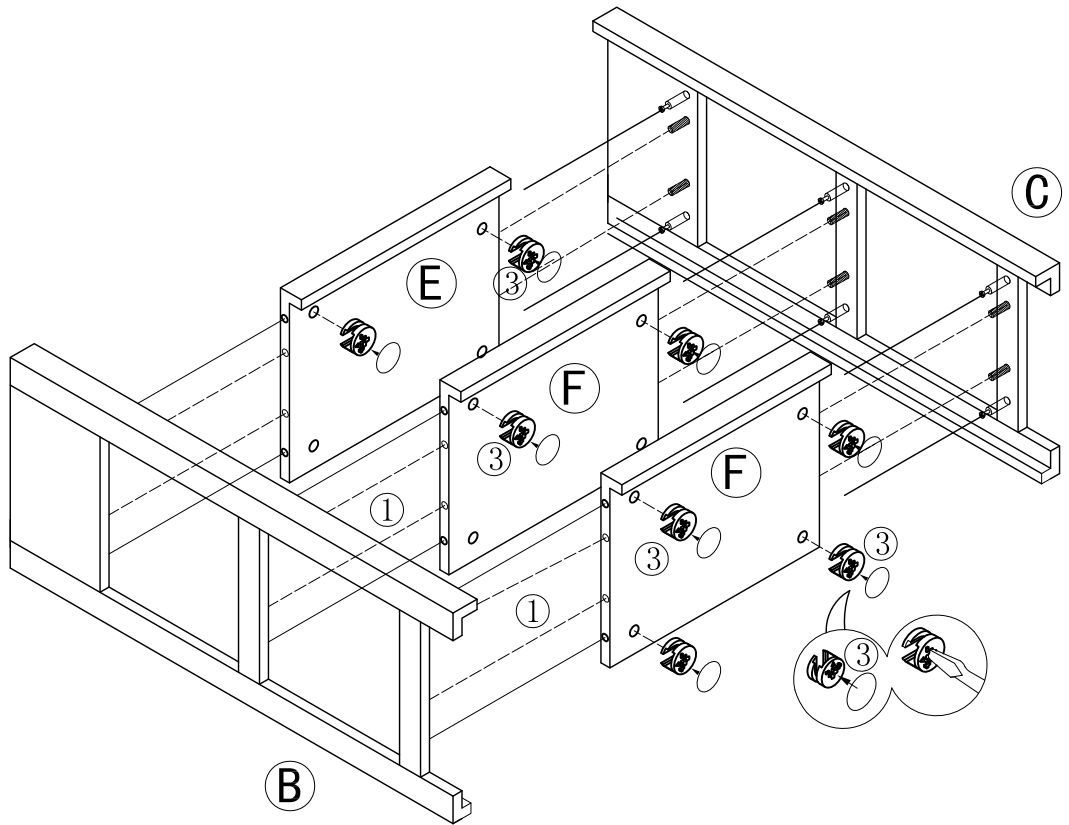
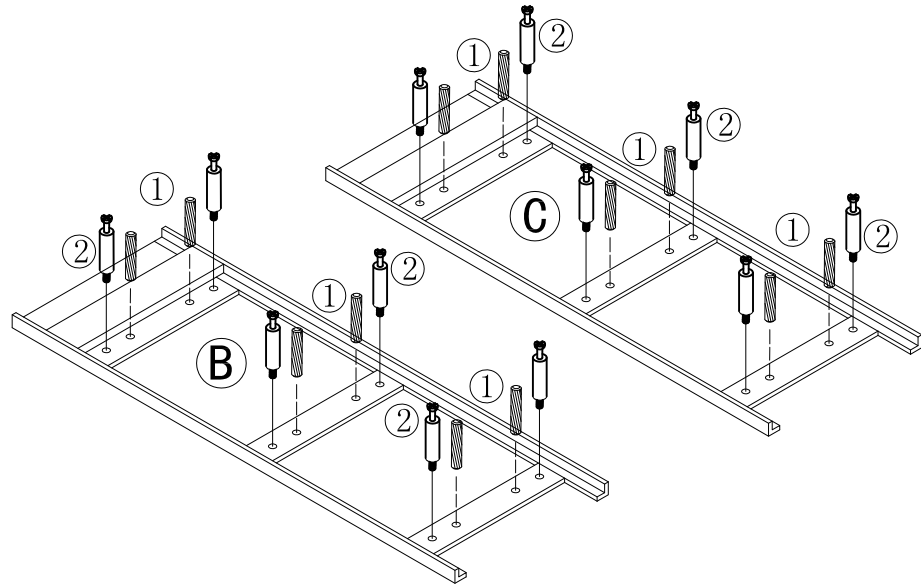
12 PCS



12 PCS



12 PCS



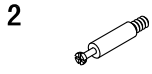
## STEP 1:

1. Screw cambolts (2) and insert dowels (1) in panels B & C.
2. Attach shelves E & Fs to panels B & C and secure with camlocks (3).

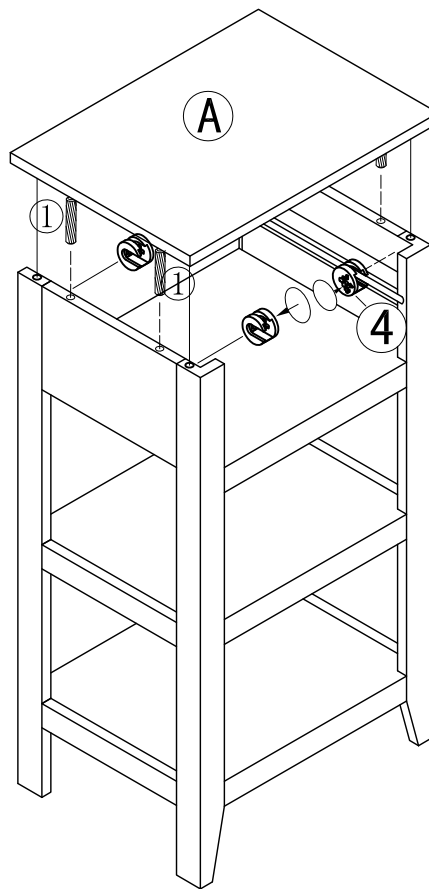
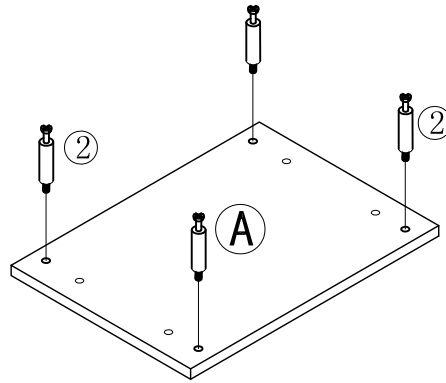
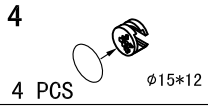
# 2



4 PCS



4 PCS



## STEP 2:

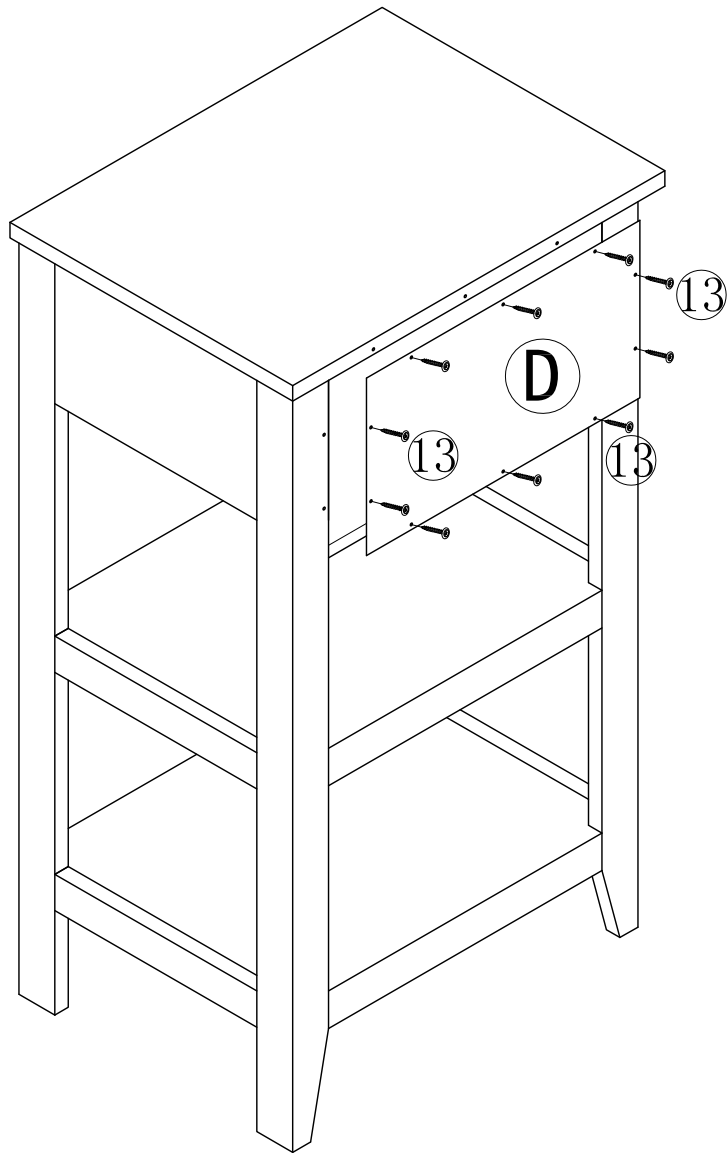
1. Screw cambolts (2) onto panel A.
2. Insert dowels (1) on the top of panels B & C.
3. Attach panel A to B & C and secure with camlocks (3).

# 3

13



10 PCS  $\phi 3 \times 12$  D=7

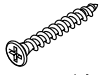


## STEP 3:

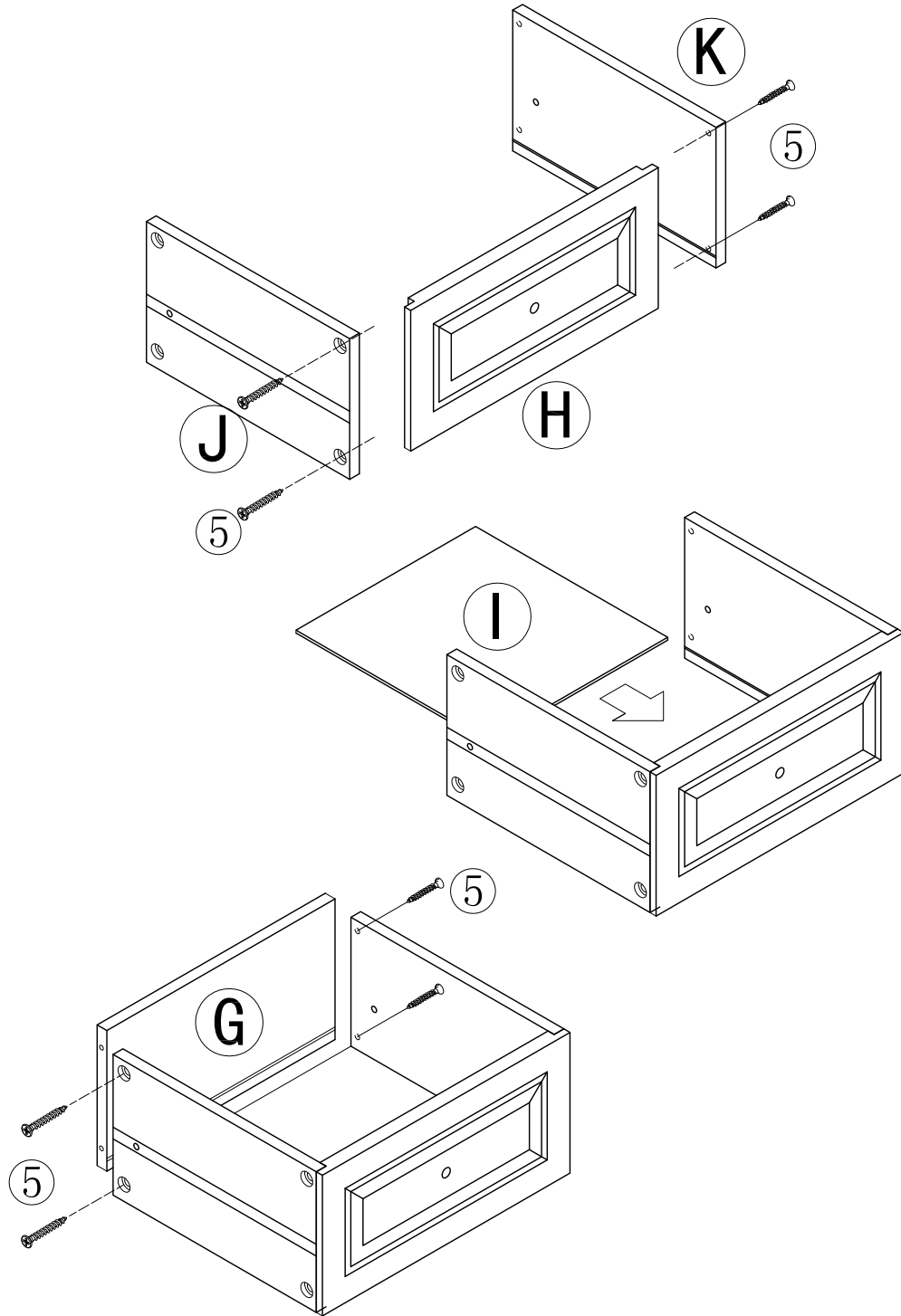
1. Attach panel D to the back of the cabinet and secure with screws (13).

# 4

5



8 PCS  $\phi 4*25$



## STEP 4:

1. Attach panels J & k to panel H with screws (5).
2. Slide panel I into the partially assembled drawer.
3. Attach panel G to the drawer with screws (5).



# 5

6



2 PCS

7

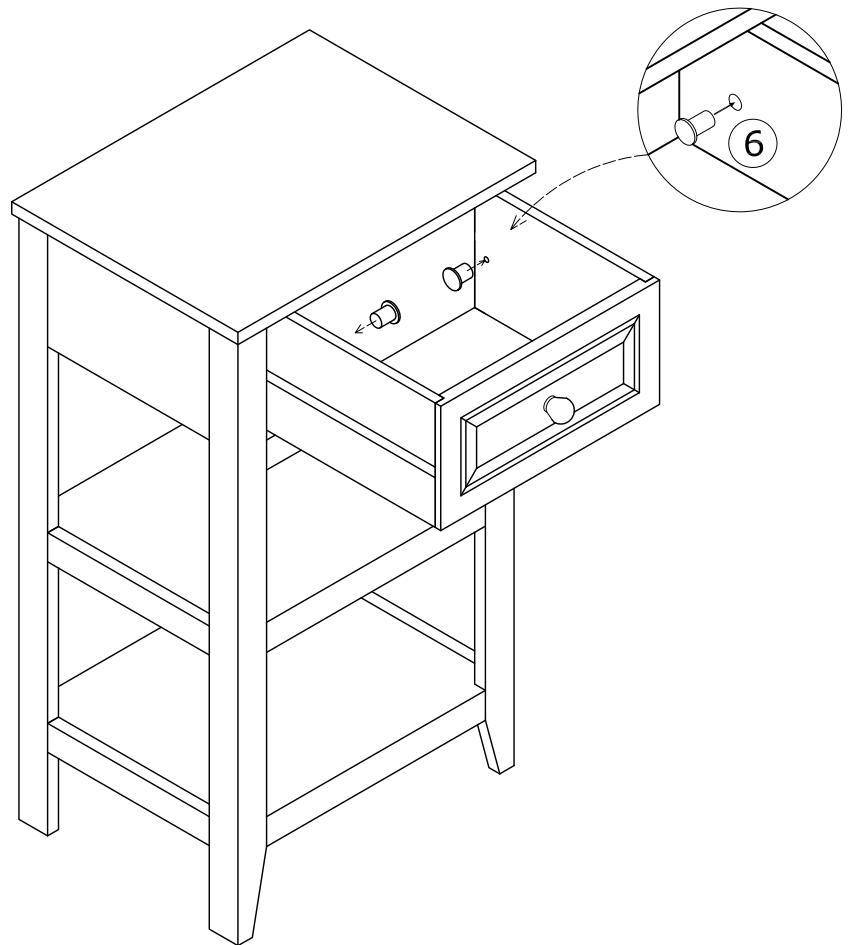
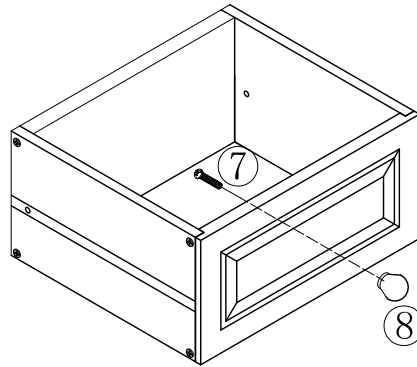


1 PC

8



1 PC



## STEP 5:

1. Attach knob (8) to drawer front H with bolt (7).
2. Slide drawer into the cabinet and insert drawer stops (6).

# 6

9



2 PCS  $\phi 4 \times 25$

10



1 PC

11



2 PCS

12



1 PC

