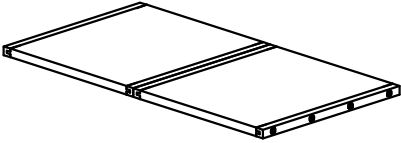
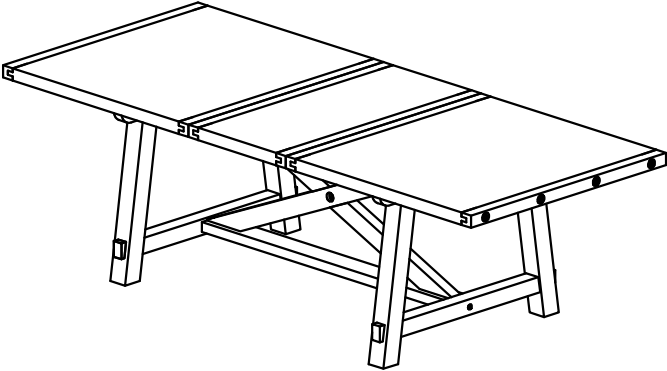
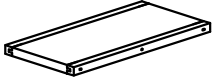
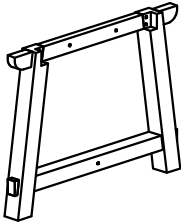
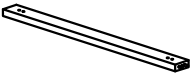

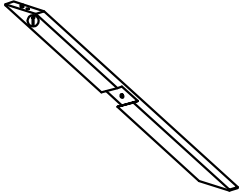








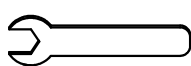

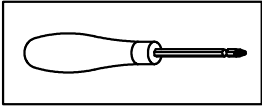



YOSEMITE COUNTER TABLE ASSEMBLY INSTRUCTIONS



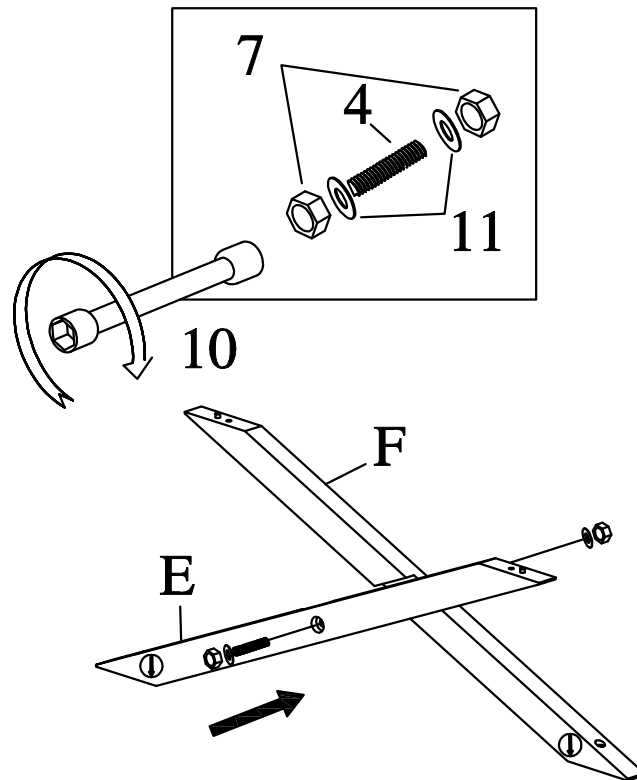
<p>A. TABLE TOP 1PC</p> 	<p>COUNTER TABLE ASSEMBLED</p> 
<p>B. EXTENSION 1PC</p> 	
<p>C. LEGS 2PCS</p> 	
<p>D. CROSSBAR 1PC</p> 	
<p>E. RAIL LEFT 1PC</p> 	
<p>F. RAIL RIGHT 1PC</p> 	

HARDWARE ENCLOSED IN BOX

1	ALLEN BOLT M8 x 40 MM	02 PCS	2	ALLEN BOLT M8 x 50 MM	14 PCS	3	ALLEN BOLT M8 x 60 MM	02 PCS	4	THREAD BOLT M8 x 45 MM	01 PC	5	WASHER M9/22	16 PCS
														
6	SPRING WASHER M9/11	16 PCS	7	NUT M8	02 PCS	8	HALF MOON WASHER	02 PCS	9	SPANNER N13	01 PC	10	HEXAGON NUT M8	01 PC
														
11	WASHER M9/22	02 PCS	<p>TOOL REQUIRED</p> <p>PHILLIPS HEAD SCREW DRIVER NOT PROVIDED</p> 											
														

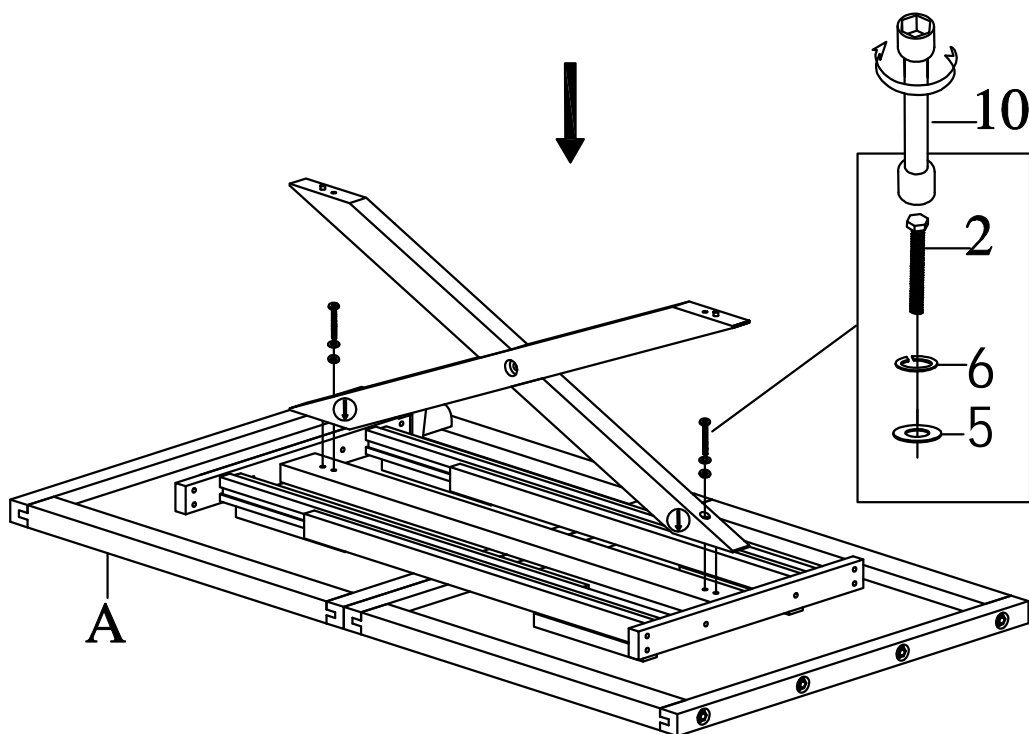
STEP 1:

FASTEN THE RAILS (E),(F) WITH THREAD BOLT (4) WASHERS (11), AND NUTS (7).



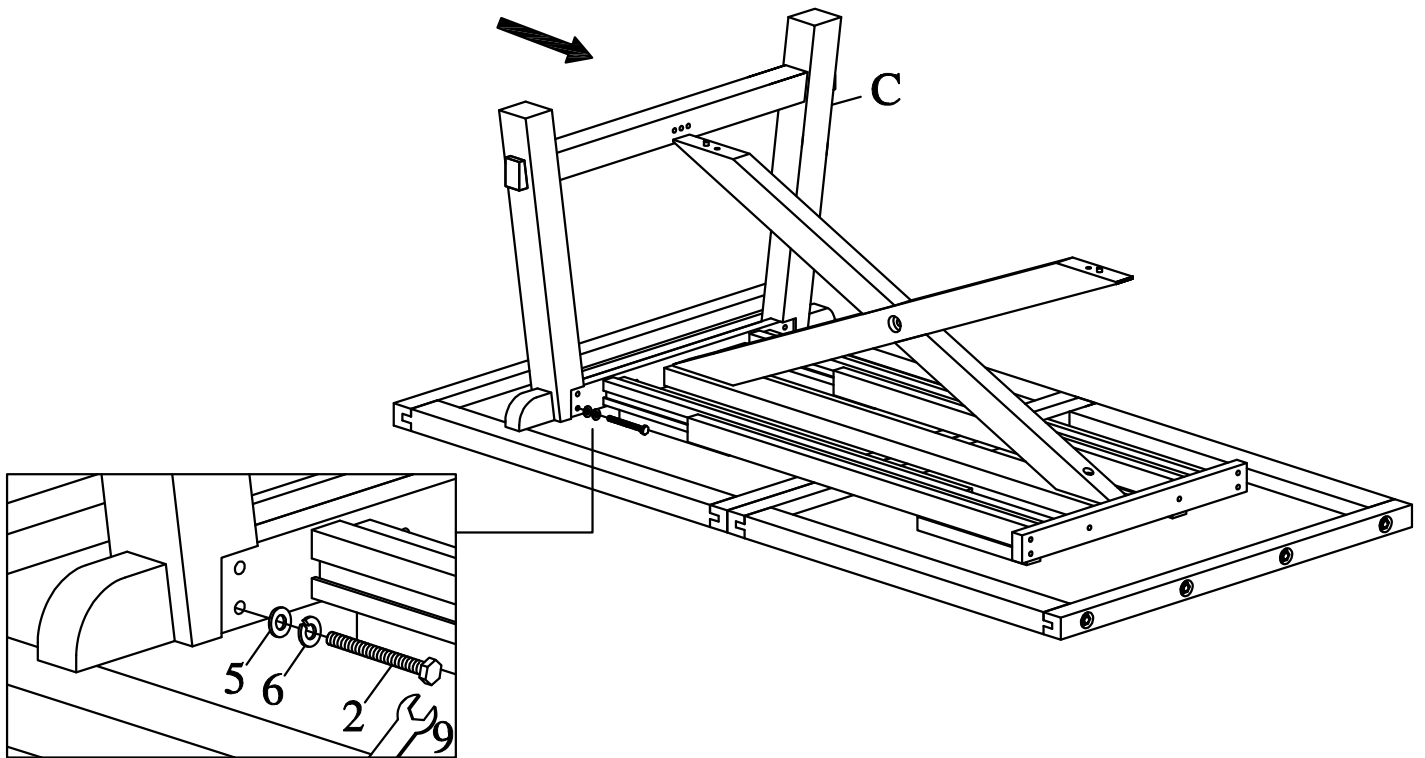
STEP 2:

ATTACH THE "X" BRACE TO THE TABLE TOP (A), FASTEN WITH BOLTS (2), WASHERS (5),(6).



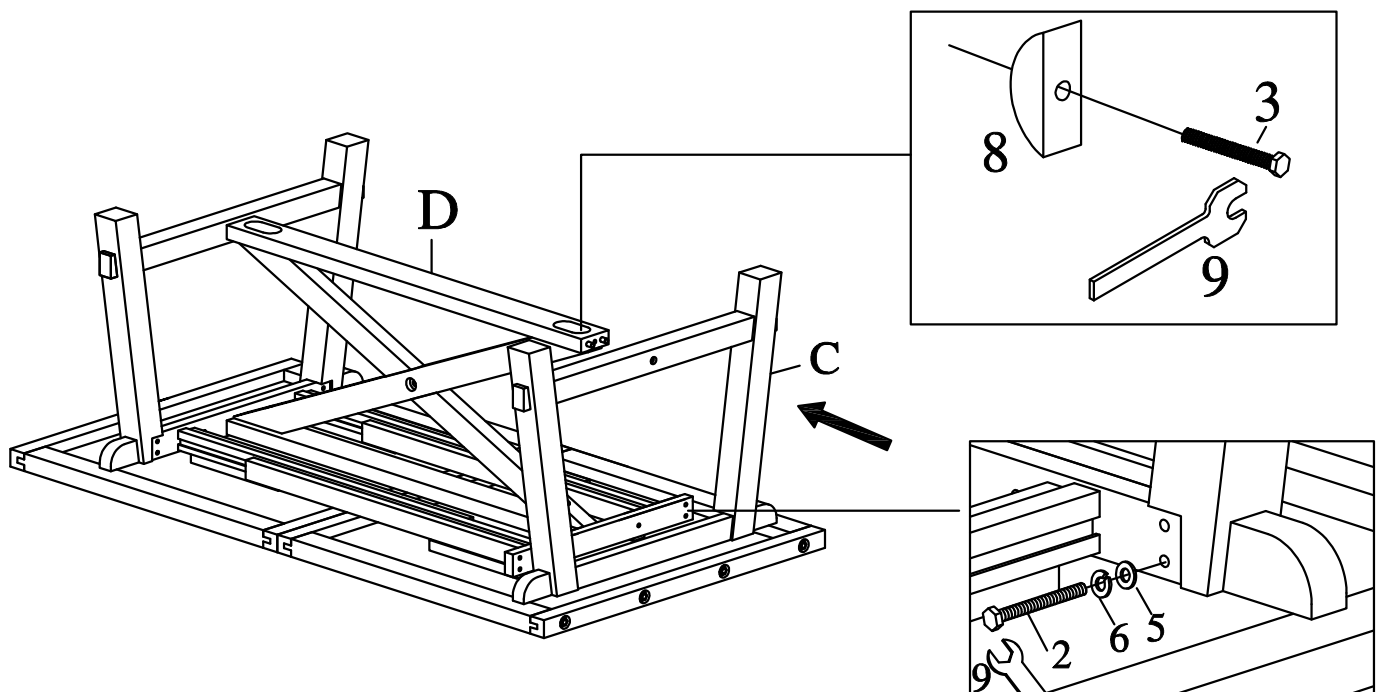
STEP 3:

INSERT THE LEG (C) TO THE TOP BOTTOM SIDE OF THE TABLE (A). FASTEN THE LEG (C) WITH BOLTS (2), WASHERS (5),(6).



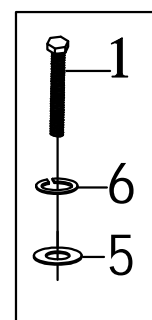
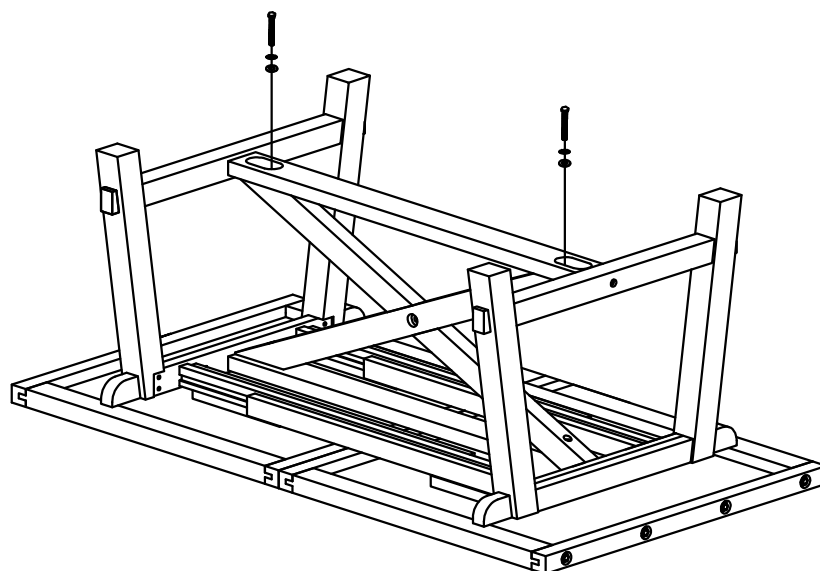
STEP 4:

INSERT THE CROSS BAR (D) TO "X" BRACE. FASTEN THE OTHER LEG (C) TO THE TABLE, WITH BOLTS (2), (3) WASHERS (5),(6) AND HALF MOON WASHER (8).



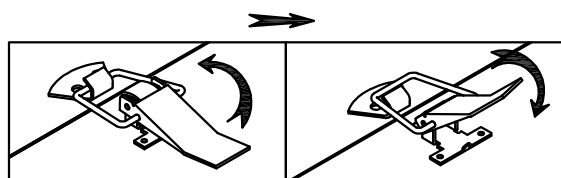
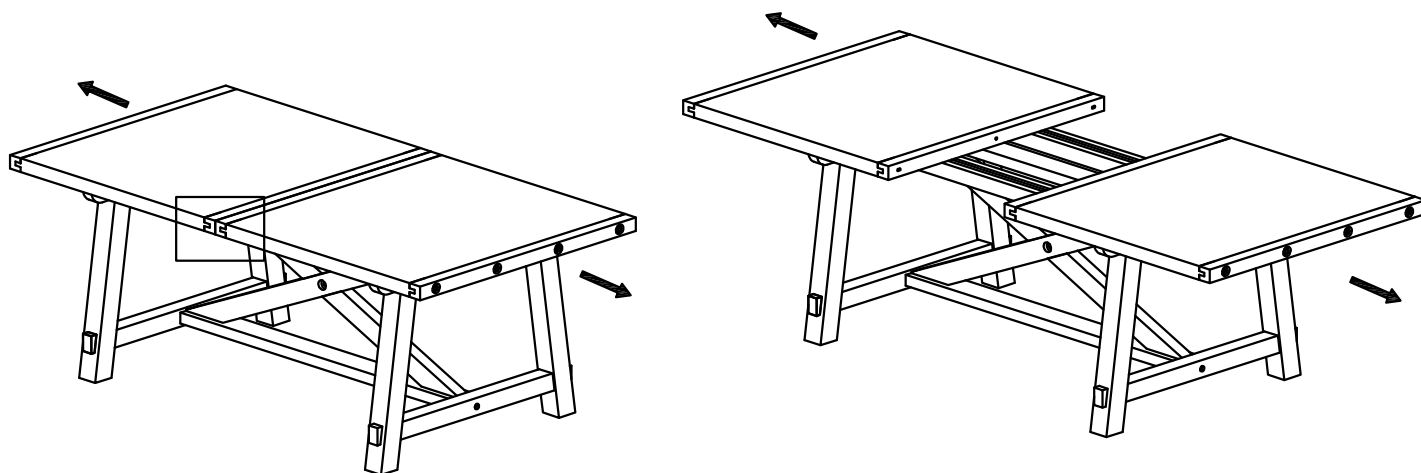
STEP 5:

**FASTEN THE CROSS BAR (D) WITH BOLTS (1), WASHERS (5),
SPRING WASHERS (6).**



STEP 6:

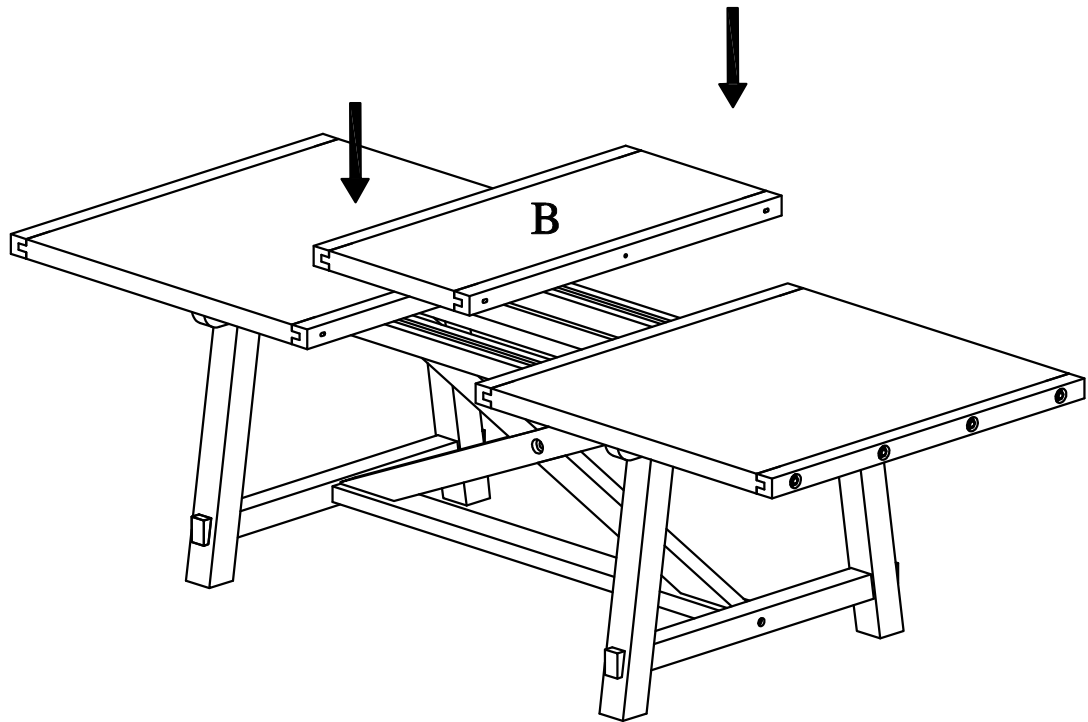
**TO ADD EXTENSION LEAF, SEPARATE TABLE HALVES BY
UN COUPLING, BRACKETS ON UNDERSIDE OF TABLE AND
PULL APART.**



UNLOCK

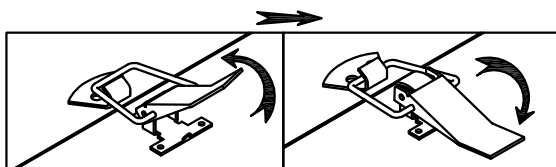
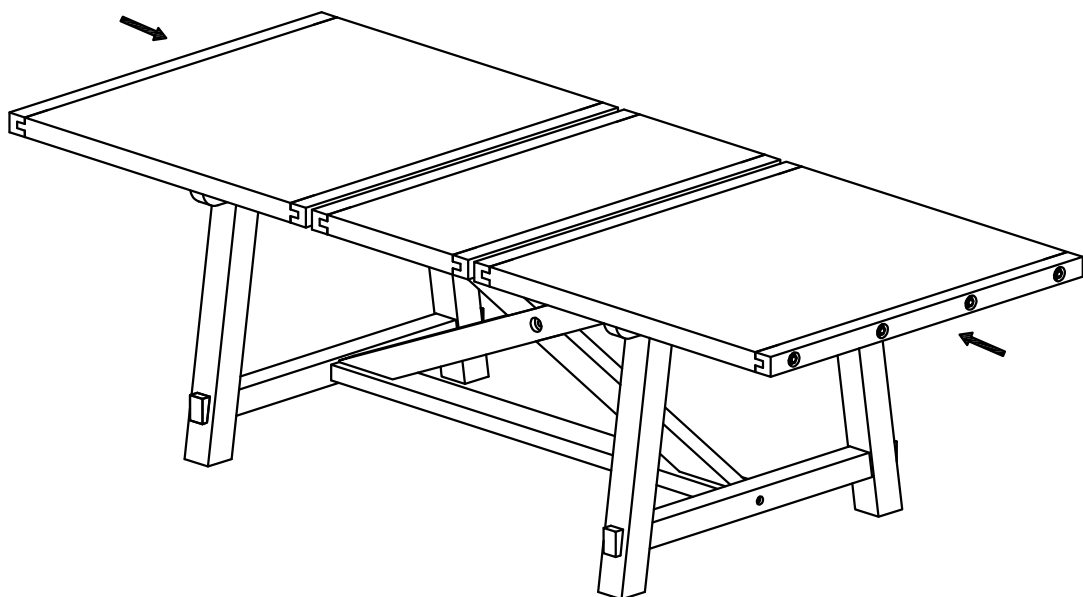
STEP 7:

ATTACH EXTENSION (B) TO THE TABLE TOP (A).



STEP 8:

PUSH TABLE HALVES BACK TOGETHER AND RECOUPLE BRACKETS ON UNDERSIDE OF TABLE.



LOCK

ASSEMBLY COMPLETE.