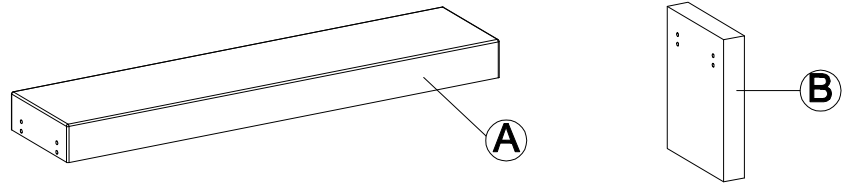


ONE PLANK DINING BENCH ASSEMBLY INSTRUCTIONS



PARTS PACKING CONFIGURATIONS

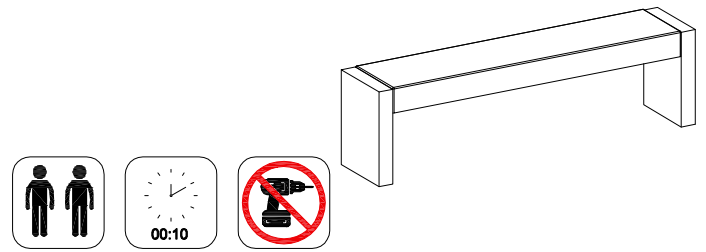
A. SEAT 1PC
B. LEG 2PCS



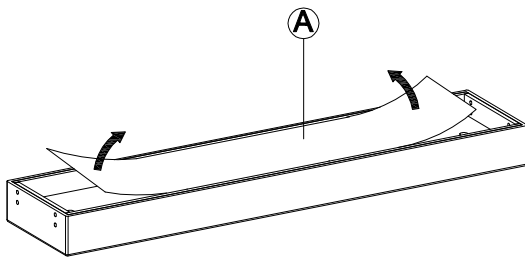
HARDWARE KIT PACKED IN BOX

NO.	DESCRIPTION	IMAGE	Q'TY
1	ALLEN BOLT (5/16"x2-1/2")		8 PCS
2	LOCK WASHER (5/16")		8 PCS
3	FLAT WASHER (5/16")		8 PCS
4	ALLEN KEY (5mm)		1 PC

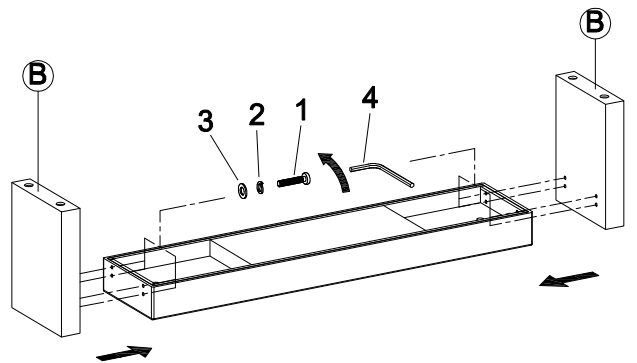
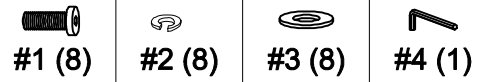
FULLY ASSEMBLED



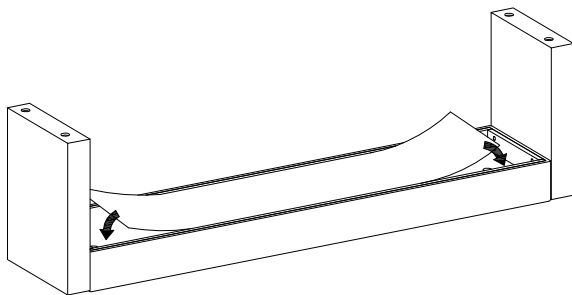
Step 1:



Step 2:



Step 3:



ASSEMBLY COMPLETE

