

# Assembly Guide



**If you're having any difficulty during assembly of this product, don't hesitate to call us at 1-800-950-4782.**

Our customer service experts are trained to provide step-by-step instruction and can easily replace any missing or damaged parts.

**Representatives are available Monday-Friday from 8:30 a.m. to 7:30 p.m. (ET)**



Lot Code #

Part Number A182041D

Keep manual for future reference.

## For best results, keep these tips in mind:

- ① We know you want to finish this assembly as quickly as possible, but trust us: you'll have a better experience if you take it one step at a time.
- ② Give yourself some room to work near where you want the fully assembled product.
- ③ If your floor isn't carpeted, assemble this product on the empty carton to avoid scratching.
- ④ Do you have a friend who owes you a favor? Some steps may go a little easier with a second set of hands.

### DOs

- ✔ Use a #2 Phillips head screwdriver (or other handheld tools as indicated)
- ✔ Wear safety glasses at all times during assembly
- ✔ Carefully follow the instructions in this guide and complete all steps in order
- ✔ Give us a call if you're having trouble with a particularly tricky step

### DON'Ts

- ✘ We know power tools are quick and easy, but you shouldn't use them when assembling this product (unless otherwise specified)
- ✘ Never move your furniture with items inside or resting on the surface
- ✘ Do not attempt to use this product before all steps have been completed



## Watch assembly videos right on your phone or computer!



Some steps include QR codes that link to helpful videos. Watch out for the icon below! Simply open up your smartphone camera to scan the code.

*(Users of older smartphones may need to install a QR Reader.)*

**SCAN HERE**



**FOR VIDEOS**

Or visit <https://www.bushbusinessfurniture.com/CustomerService/HowtoAssemble.aspx>

# IMPORTANT SAFETY INFORMATION



## PLEASE READ WARNINGS

Improper use can cause safety hazards, or damage to your furniture and household items.

Warning	Do	Don't	Why it's important
<b>Serious injury may occur.</b>	<ul style="list-style-type: none"><li>Assemble following all instructions using all indicated parts and hardware provided.</li><li>Install every indicated nail and/or screw.</li><li>Verify furniture is stable on it's own.</li><li>Place heaviest items in the lower drawers.</li><li>Always load the bottom drawer first.</li></ul>	<ul style="list-style-type: none"><li>Do not move unit when loaded.</li><li>Do not load with a television or other heavy equipment.</li><li>Never exceed the maximum load limits stated in the instructions.</li></ul>	Improper assembly, use or loading can lead to product instability, tip-over or collapse.

Caution	Do	Don't	Why it's important
<b>Serious injury may occur.</b>	<ul style="list-style-type: none"><li>Unload unit prior to moving starting with top drawer first.</li></ul>	<ul style="list-style-type: none"><li>Do not move unit when loaded.</li></ul>	Loaded units are heavy and are not designed to be moved when loaded.

# IMPORTANT SAFETY INFORMATION



## PLEASE READ WARNINGS

Improper use can cause safety hazards, or damage to your furniture and household items.

Advertencia	Hacer	No	Por qué es importante
<b>Pueden producirse lesiones graves.</b>	<ul style="list-style-type: none"><li>• Realice el montaje siguiendo todas las instrucciones y utilizando todas las piezas indicadas y los herrajes suministrados.</li><li>• Instale todos los clavos y/o tornillos indicados.</li><li>• Compruebe que el mueble sea estable por sí mismo.</li><li>• Coloque los objetos más pesados en los cajones inferiores.</li><li>• Cargue siempre primero el cajón inferior.</li></ul>	<ul style="list-style-type: none"><li>• No mueva la unidad cuando esté cargada.</li><li>• No cargue el mueble con un televisor u otro equipo pesado.</li><li>• No supere los límites máximos de carga indicados en las instrucciones.</li></ul>	El montaje, uso o carga inadecuados pueden provocar inestabilidad, vuelco o colapso del producto.

Atención	Hacer	No	Por qué es importante
<b>Pueden producirse lesiones graves.</b>	<ul style="list-style-type: none"><li>• Descargue el mueble antes de moverlo empezando por el cajón superior.</li></ul>	<ul style="list-style-type: none"><li>• No mueva la unidad cuando esté cargada.</li></ul>	Las unidades cargadas son pesadas y no están diseñadas para ser movidas cuando están cargadas.

# IMPORTANT SAFETY INFORMATION

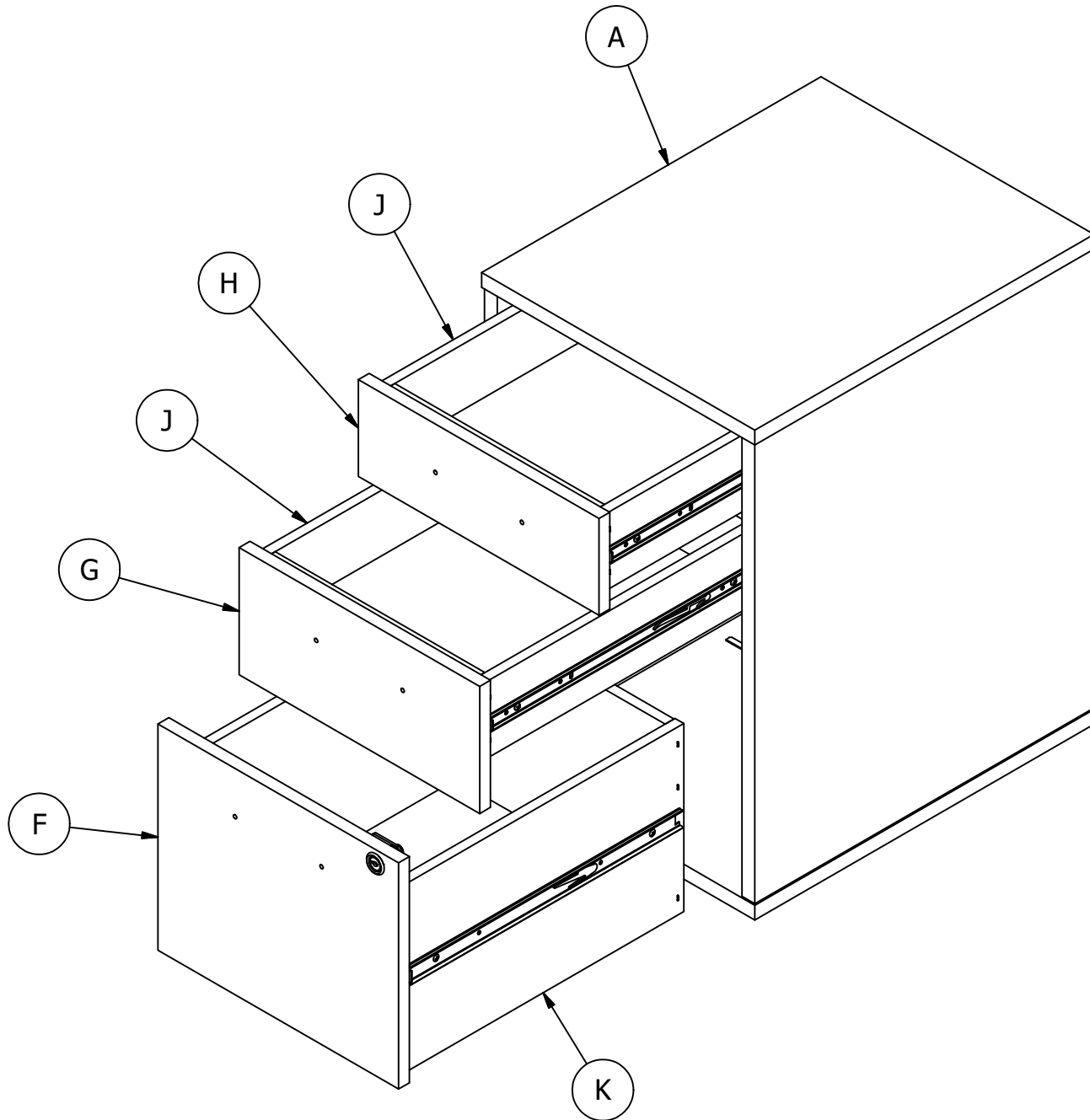
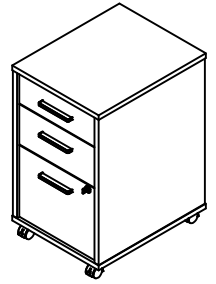


## PLEASE READ WARNINGS

Improper use can cause safety hazards, or damage to your furniture and household items.

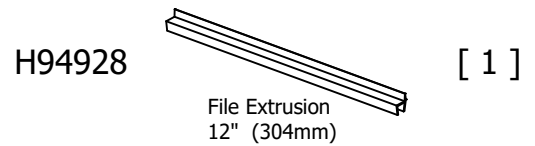
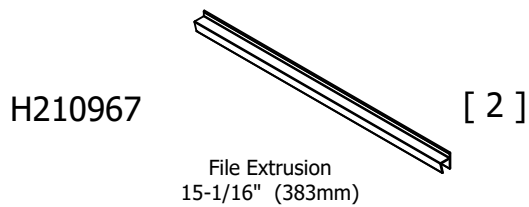
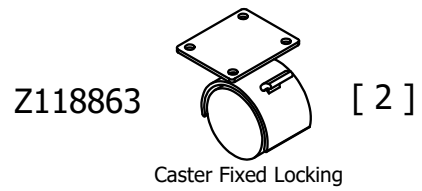
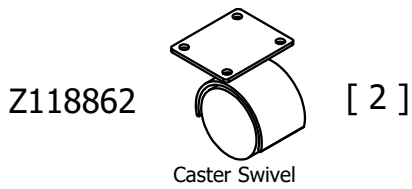
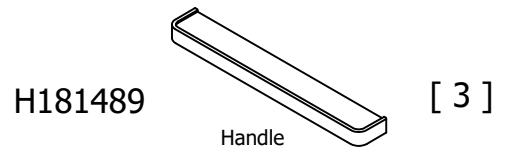
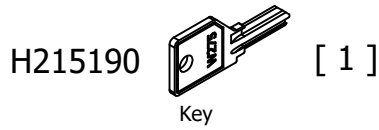
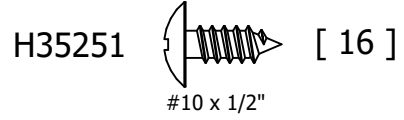
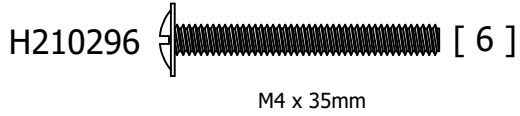
Avertissement	À faire	À ne pas faire	Pourquoi c'est important
<b>Peut entraîner des blessures graves.</b>	<ul style="list-style-type: none"><li>• Assembler en suivant toutes les instructions et en utilisant toutes les pièces et la quincaillerie incluses.</li><li>• Installer tous les clous et/ou toutes les vis.</li><li>• Assurez-vous que le meuble soit stable par lui-même.</li><li>• Placer les objets les plus lourds dans les tiroirs du bas.</li><li>• Toujours remplir le tiroir du bas en premier.</li></ul>	<ul style="list-style-type: none"><li>• Ne pas déplacer le meuble lorsqu'il est chargé.</li><li>• Ne pas charger le meuble avec un téléviseur ou tout autre équipement lourd.</li><li>• Ne pas dépasser les limites de poids maximales indiquées dans les instructions.</li></ul>	Un assemblage, une utilisation ou un chargement incorrects peuvent entraîner l'instabilité, le basculement ou l'effondrement du produit.

Attention	À faire	À ne pas faire	Pourquoi c'est important
<b>Peut entraîner des blessures graves.</b>	<ul style="list-style-type: none"><li>• Vider le meuble avant de le déplacer en commençant par le tiroir du haut.</li></ul>	<ul style="list-style-type: none"><li>• Ne pas déplacer le meuble lorsqu'il est chargé.</li></ul>	Les meubles chargés sont lourds et ne sont pas conçus pour être déplacés une fois chargés.



Have an assembly question or need a replacement part? Just call  
**1-800-950-4782**, we are here to help.

Hardware not to scale.



Have an assembly question or need a replacement part? Just call  
**1-800-950-4782**, we are here to help.

**Drawer removal**

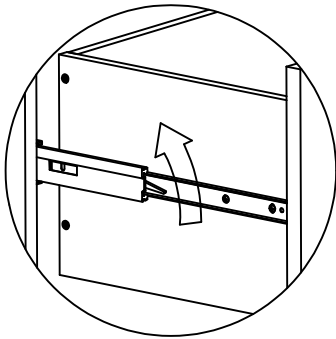
Extracción del cajón

Enlèvement des tiroirs

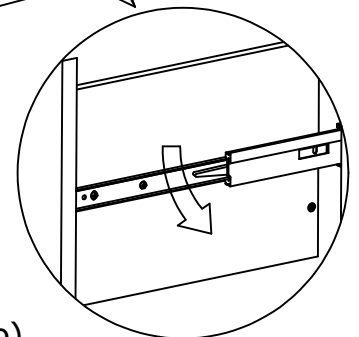
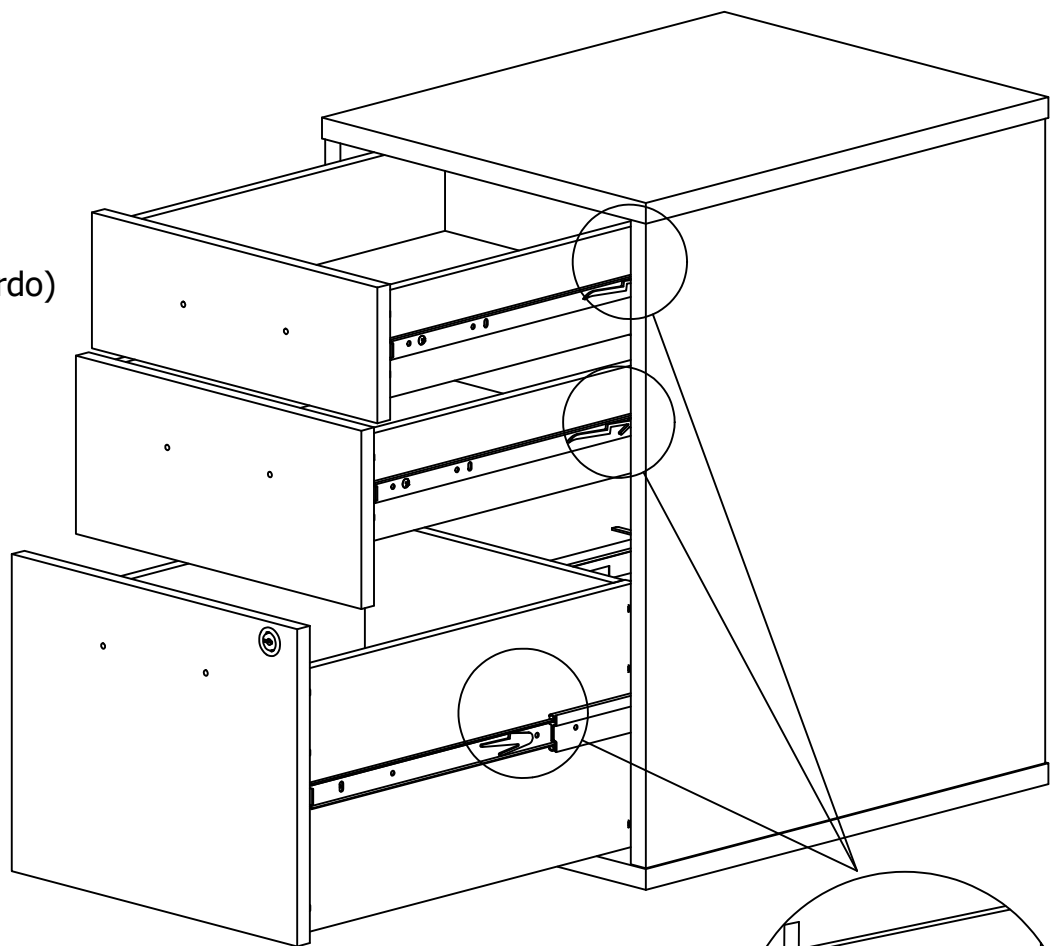
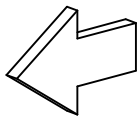
**For left side push lock lever up and right side push lock lever down to remove.**

Para el lado izquierdo empuje la palanca de bloqueo hacia arriba y el lado derecho empuje la palanca de bloqueo hacia abajo para extraerla.

Pour le côté gauche, pousser le levier de verrouillage vers le haut et le côté droit pour pousser le levier de verrouillage vers le bas pour le retirer.



Lock Lever (Left)  
Palanca de Cerradura (Izquierdo)  
Levier d'arrêt (Gauche)



Lock Lever (Right)  
Palanca de Cerradura (Derecho)  
Levier d'arrêt (Droit)

Have an assembly question or need a replacement part? Just call  
**1-800-950-4782**, we are here to help.



# STEP 2

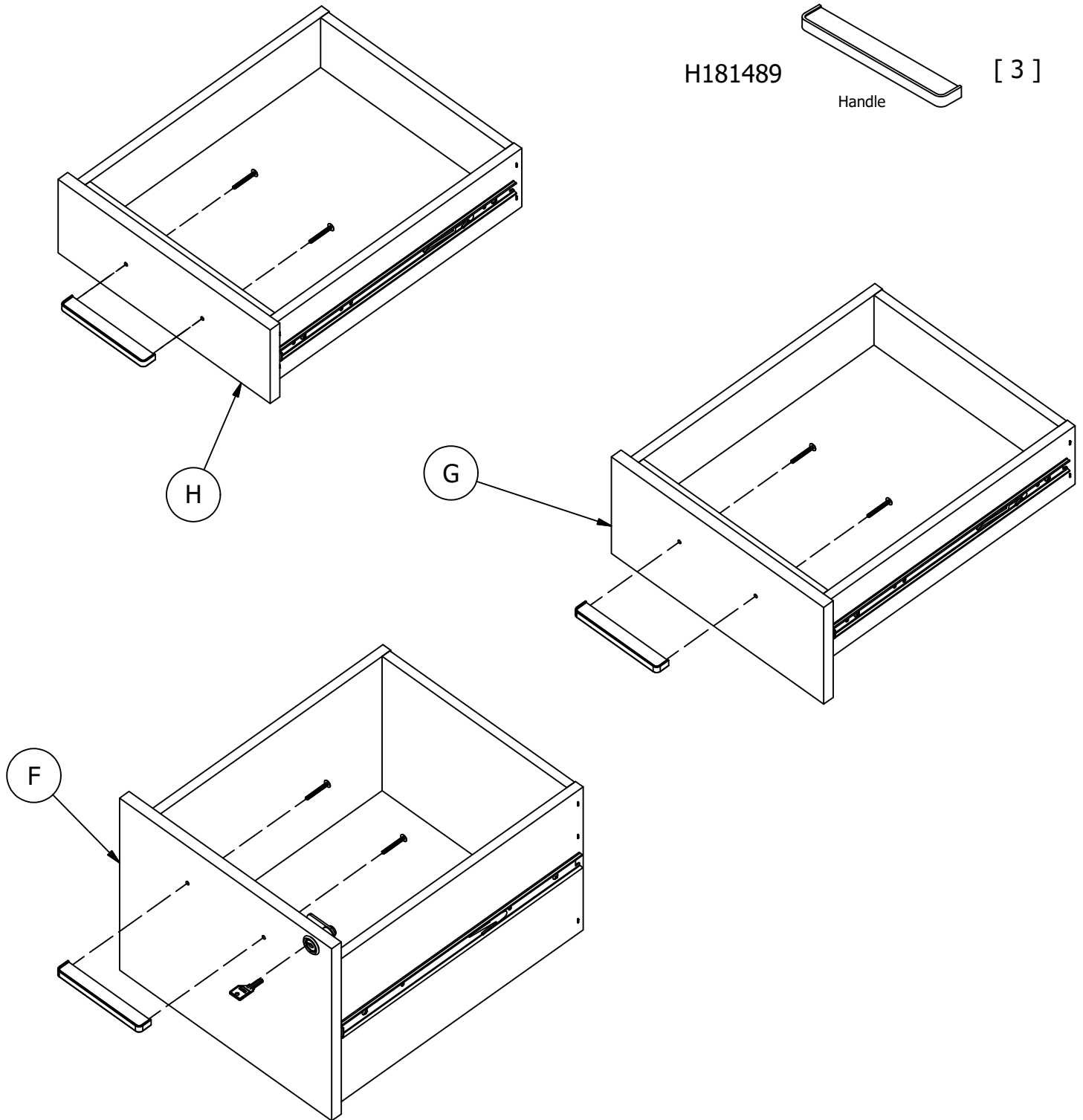
# Install Hardware

A182041D

H215190 [ 1 ]  
Key

H210296 [ 6 ]  
M4 x 35mm

H181489 [ 3 ]  
Handle



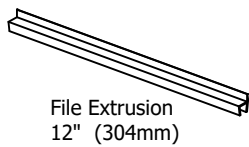
Have an assembly question or need a replacement part? Just call  
**1-800-950-4782**, we are here to help.

# STEP 3

# Install Hardware

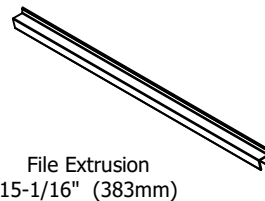
A182041D

H94928

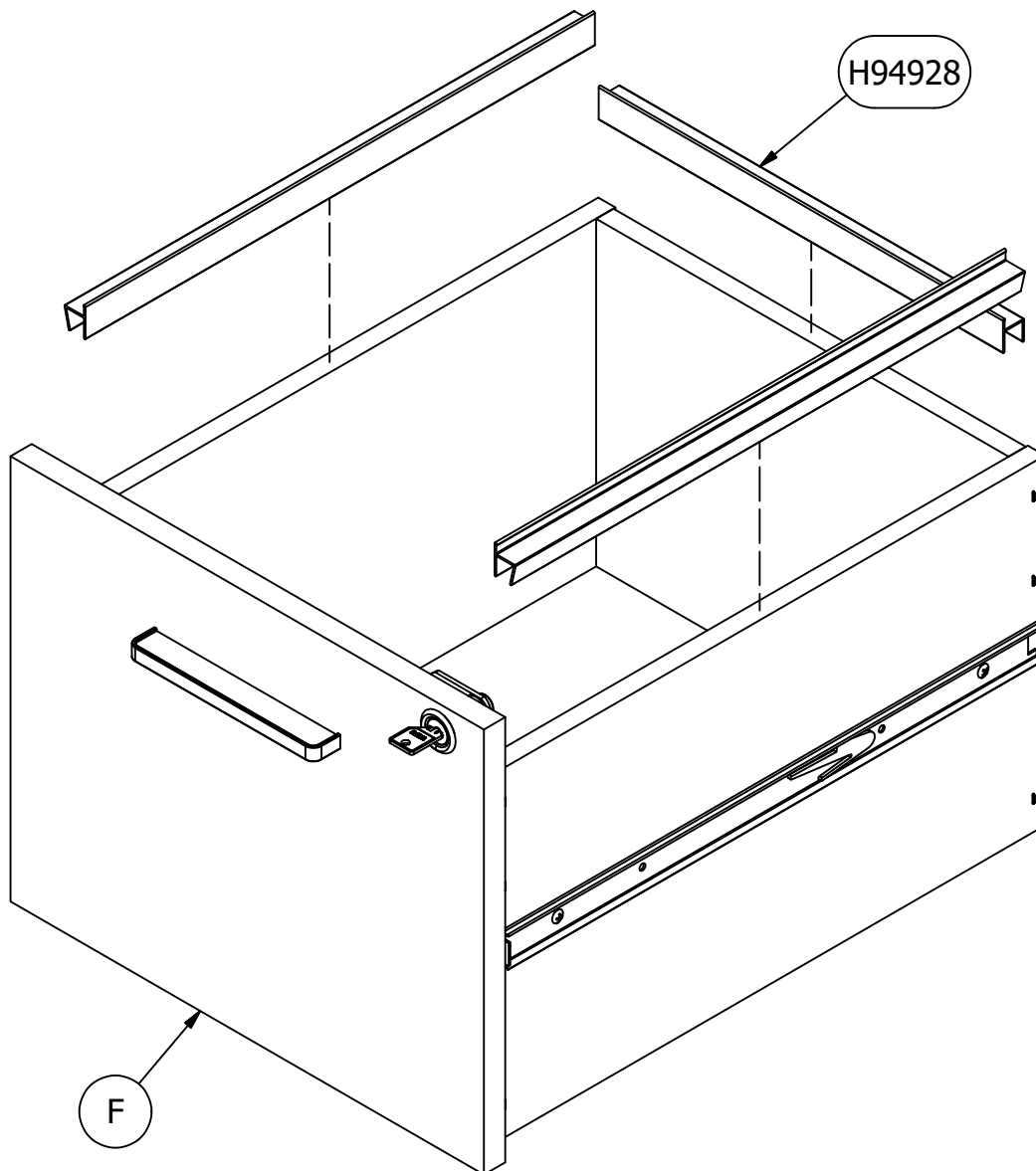


[ 1 ]

H210967



[ 2 ]

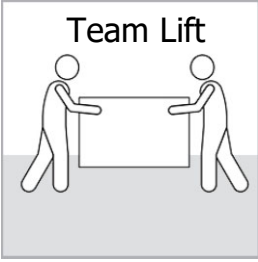


Have an assembly question or need a replacement part? Just call  
**1-800-950-4782**, we are here to help.

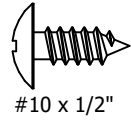
# STEP 4

# Install Hardware

A182041D

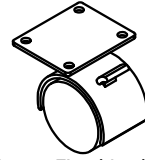


H35251



[ 16 ]

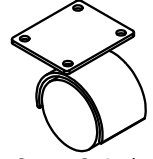
Z118863



[ 2 ]

Caster Fixed Locking

Z118862

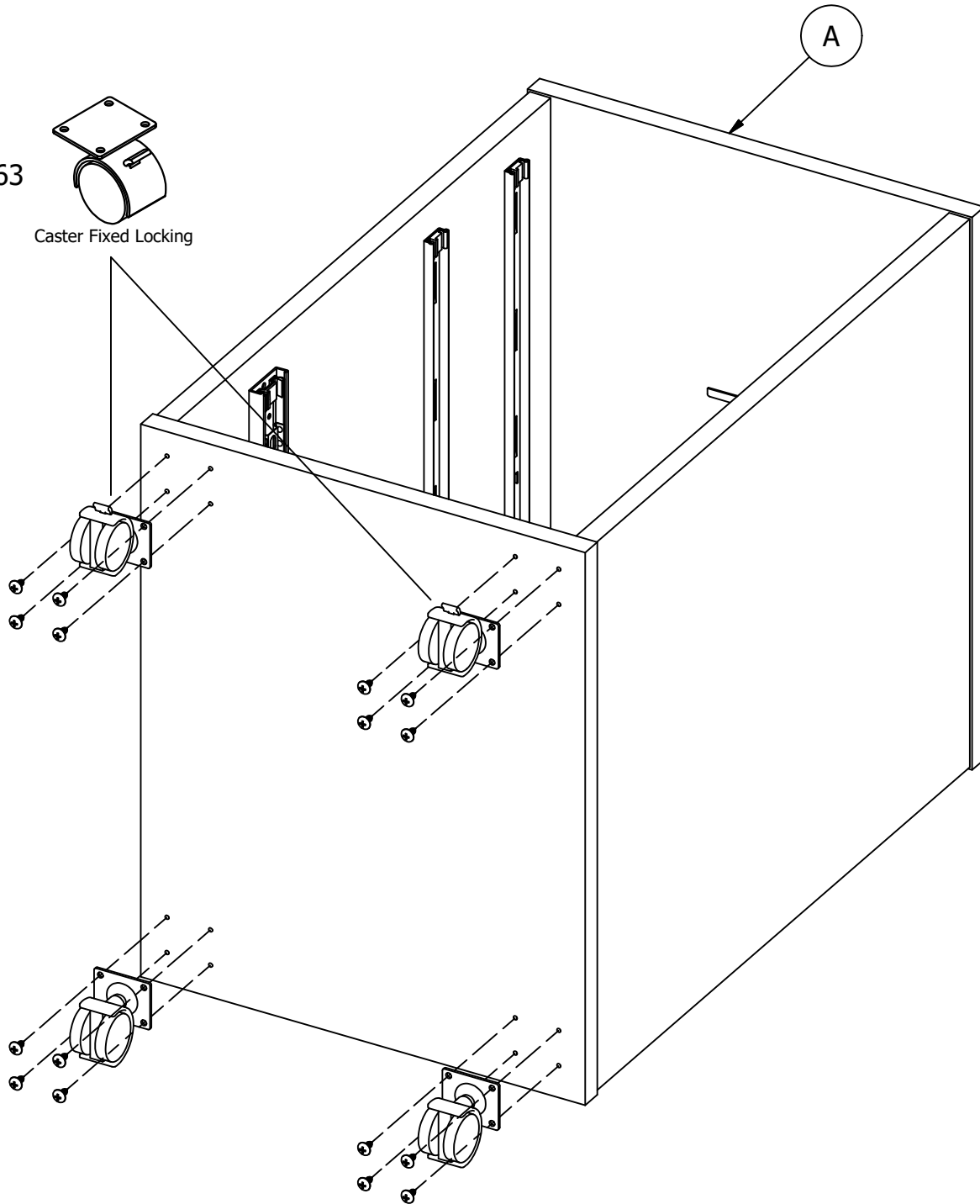


[ 2 ]

Caster Swivel

Z118863

Caster Fixed Locking



Have an assembly question or need a replacement part? Just call  
**1-800-950-4782**, we are here to help.

# STEP 5

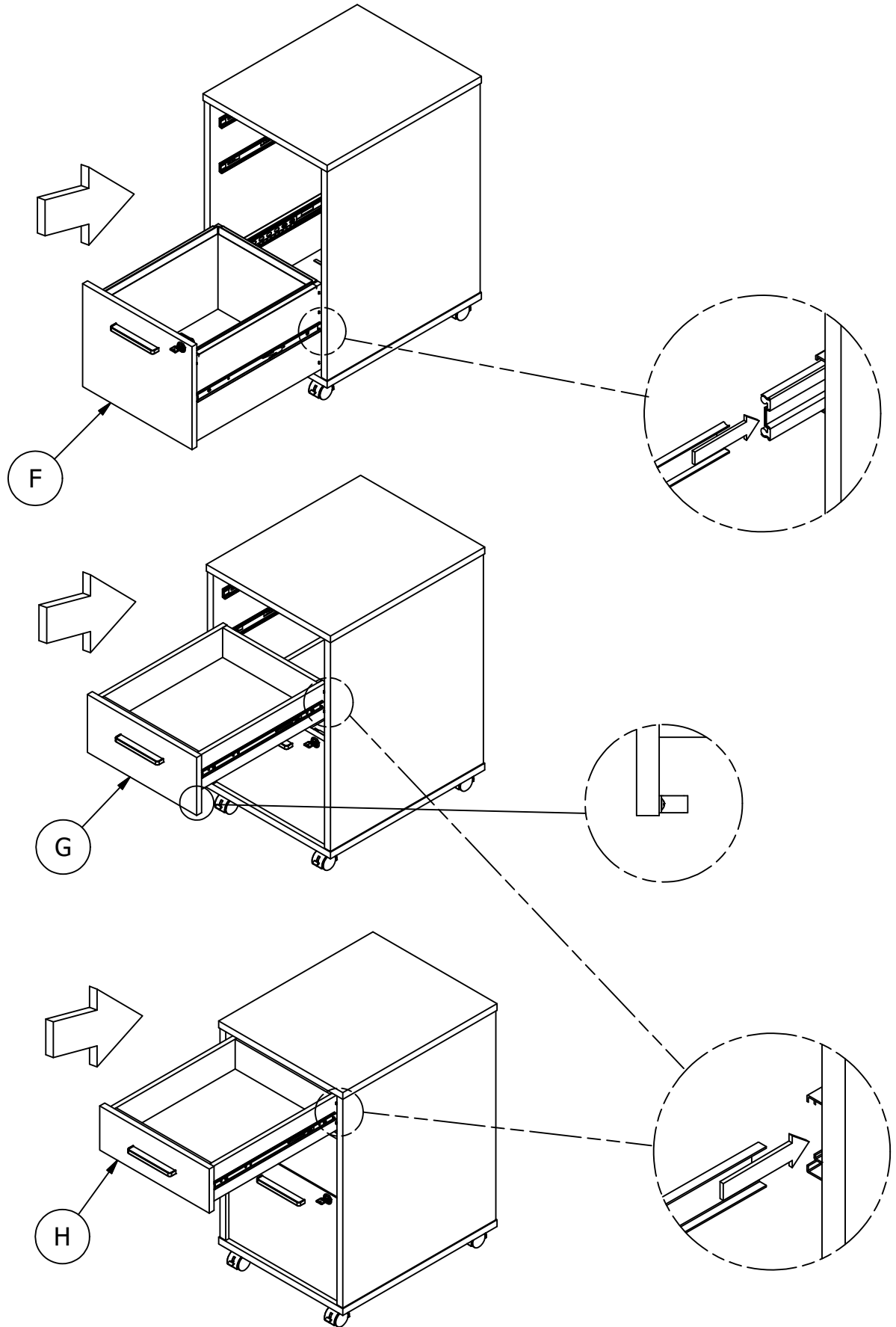
## Drawer Insertion

A182041D

Scan QR Code to Watch Video on:

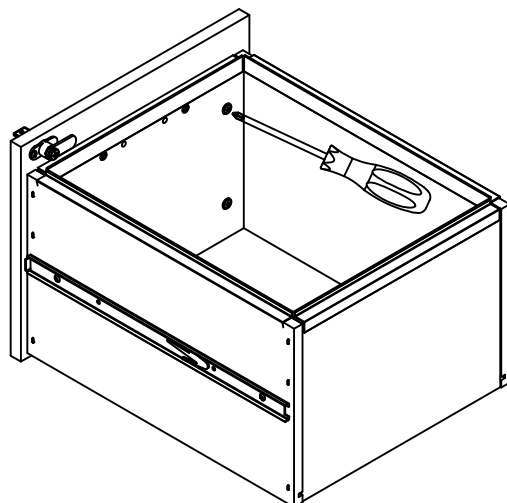
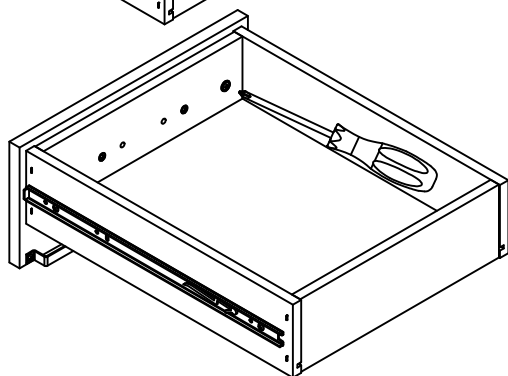
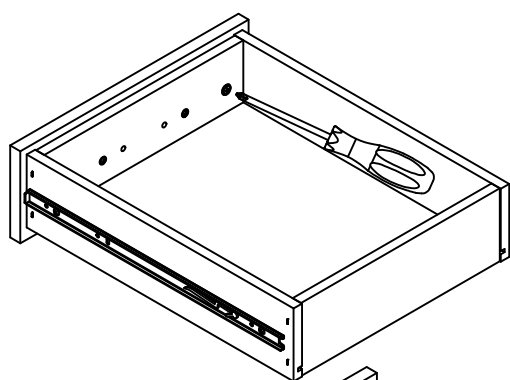
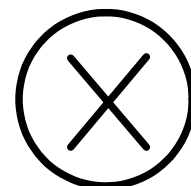
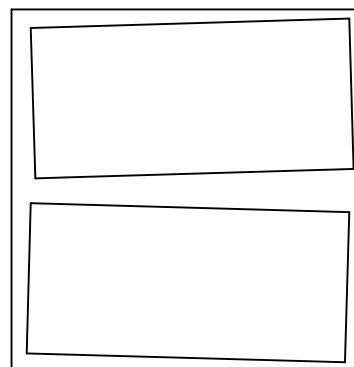
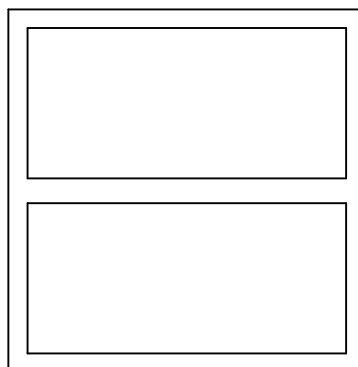


How to Separate and Install Drawer Slides



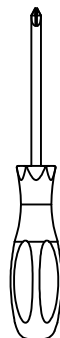
Have an assembly question or need a replacement part? Just call **1-800-950-4782**, we are here to help.

## DRAWER FRONT VIEW



REQUIRED TOOL: PHILLIPS SCREWDRIVER

HERRAMIENTA REQUERIDA: DESTORNILLADOR PHILLIPS  
 OUTIL REQUIS: TOURNEVIS CRUCIFORME



1. LOOSEN SCREWS.
2. ADJUST DRAWER FRONTS.
3. TIGHTEN SCREWS.

1. Afloje los tornillos
2. Ajustar frentes de cajón
3. Apriete los tornillos

1. Desserrer les vis
2. Ajuster les façades des tiroirs
3. Serrer les vis

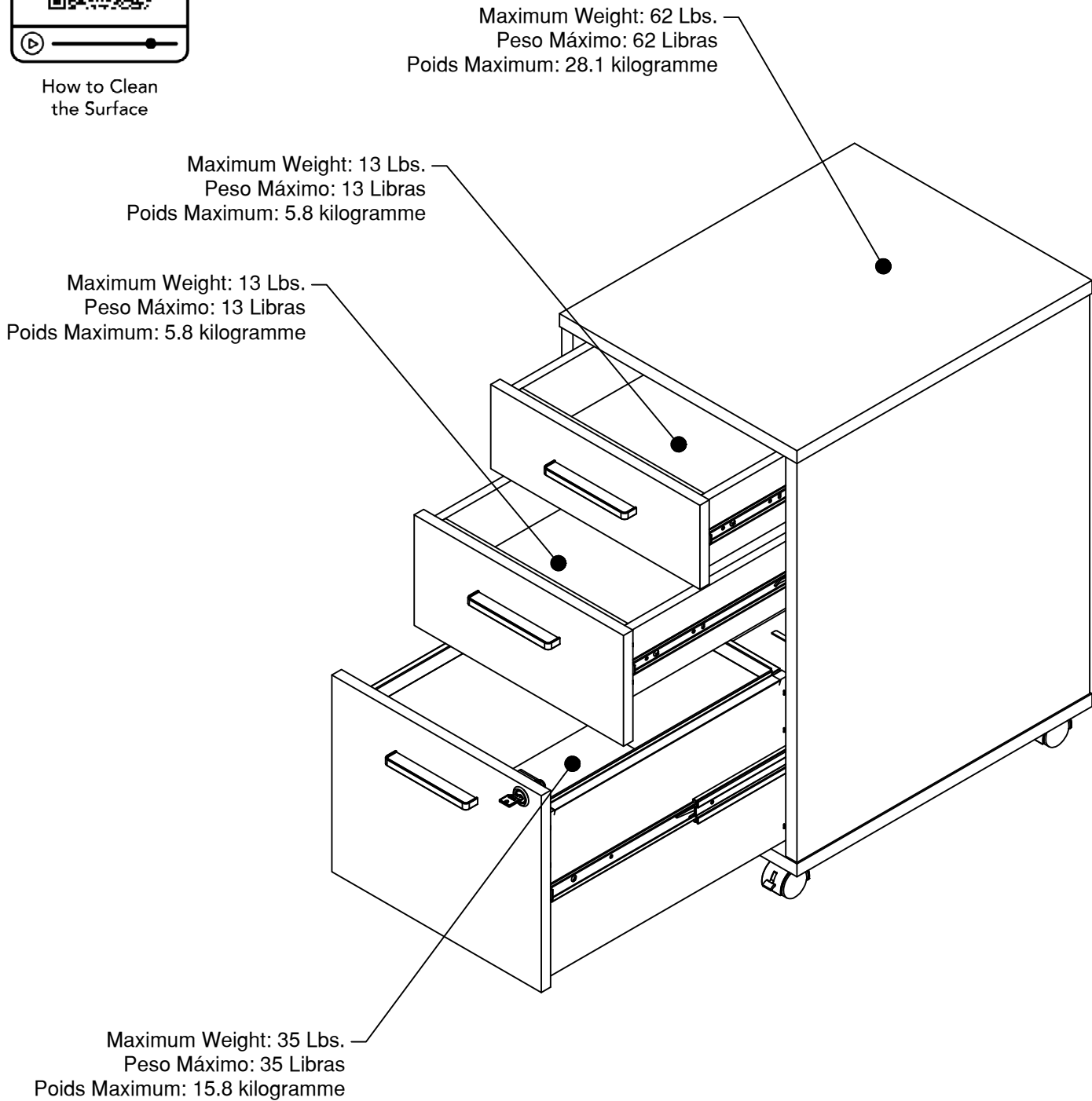
Have an assembly question or need a replacement part? Just call  
**1-800-950-4782**, we are here to help.

Scan QR Code to Watch Video on:



How to Clean the Surface

Gently clean surfaces with a damp sponge eraser.



Congratulations! You are all done. If you have any questions or concerns, please call.

Have an assembly question or need a replacement part? Just call **1-800-950-4782**, we are here to help.

KI70203SU

A	Case Assembly	[ 1 ]
F	W218122	[ 1 ]
G	W215164	[ 1 ]
H	W215163	[ 1 ]
J	S210267	[ 2 ]
K	S213308	[ 1 ]